

# SECURAGUARD STEEL FRAME WINDOW UNIT

The **Sealeck** Securaguard Steel Frame Window Unit satisfies Australian requirements for AS-2343, 1997. (Bullet resistant standard) and AS 3555, 1988 (Intruder resistant standard)



**WEB** // [www.sealeck.com.au](http://www.sealeck.com.au)  
**EMAIL** // [highsecurity@sealeck.com.au](mailto:highsecurity@sealeck.com.au)

# SECURAGUARD TYPE B TRAY

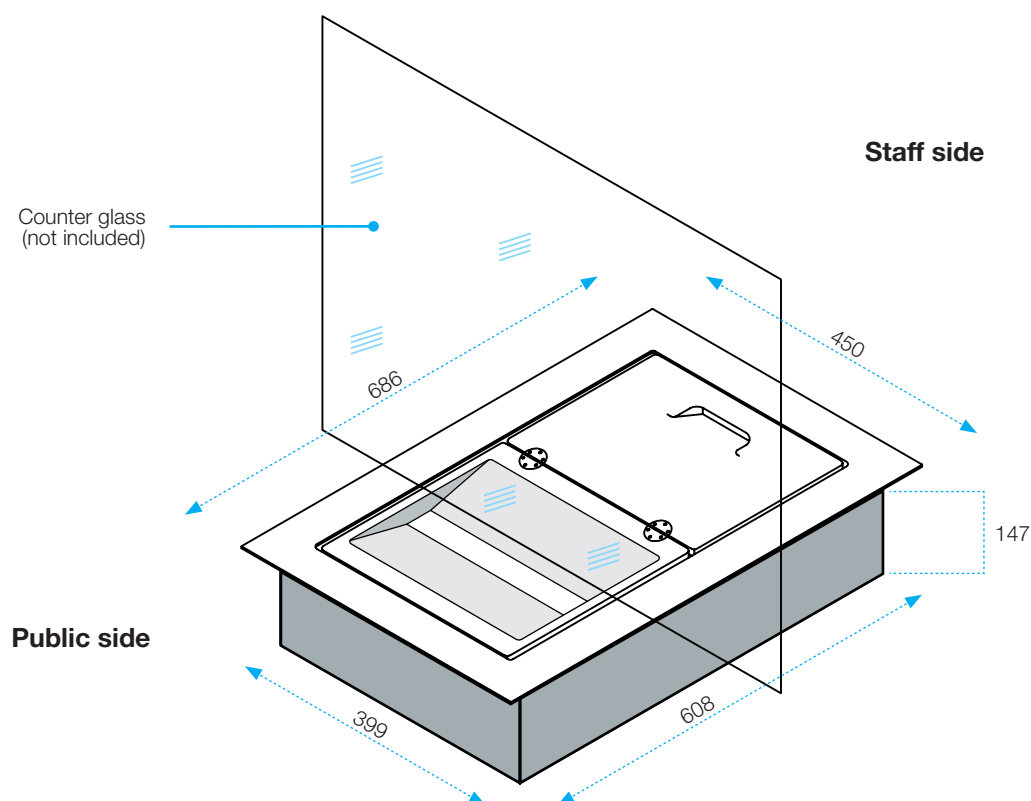
The **Sealeck** Securaguard Type B Tray is a pass thru tray for EFTPOS machines and larger items designed to meet the G0, G1, G2, R1/S1 bullet resistance to Australian standard AS/N25 2343: 1997



**WEB** // [www.sealeck.com.au](http://www.sealeck.com.au)  
**EMAIL** // [highsecurity@sealeck.com.au](mailto:highsecurity@sealeck.com.au)

## SECURAGUARD TYPE B TRAY

The Sealeck Securaguard Type B Tray is a pass thru tray for EFTPOS machines and larger items designed to meet the G0, G1, G2, R1/S1 bullet resistance to Australian standard [AS/N25 2343: 1997](#)



### Description:

A pass thru tray that enables staff to lift the hinged lid and roll the two part lid/tray away from customer to enable objects to be passed safely beneath the window.

### Specifications:

- 3mm Stainless Steel 304 #4 finish casing
- Black plastic moulded insert for sound absorption when coins are placed into the tray
- Designed to fit flush with joinery bench top
- Clear plastic lid which opens and slides to enable the larger item to pass through the tray below. The bottom section can accommodate larger items such as money bags, large envelopes and EFTPOS facilities
- Various models to suit G0, G1, G2, R1/S1 bullet ratings to AS2343

*Specifications are subject to change without notice*

# SECURAGUARD TYPE A TRAY

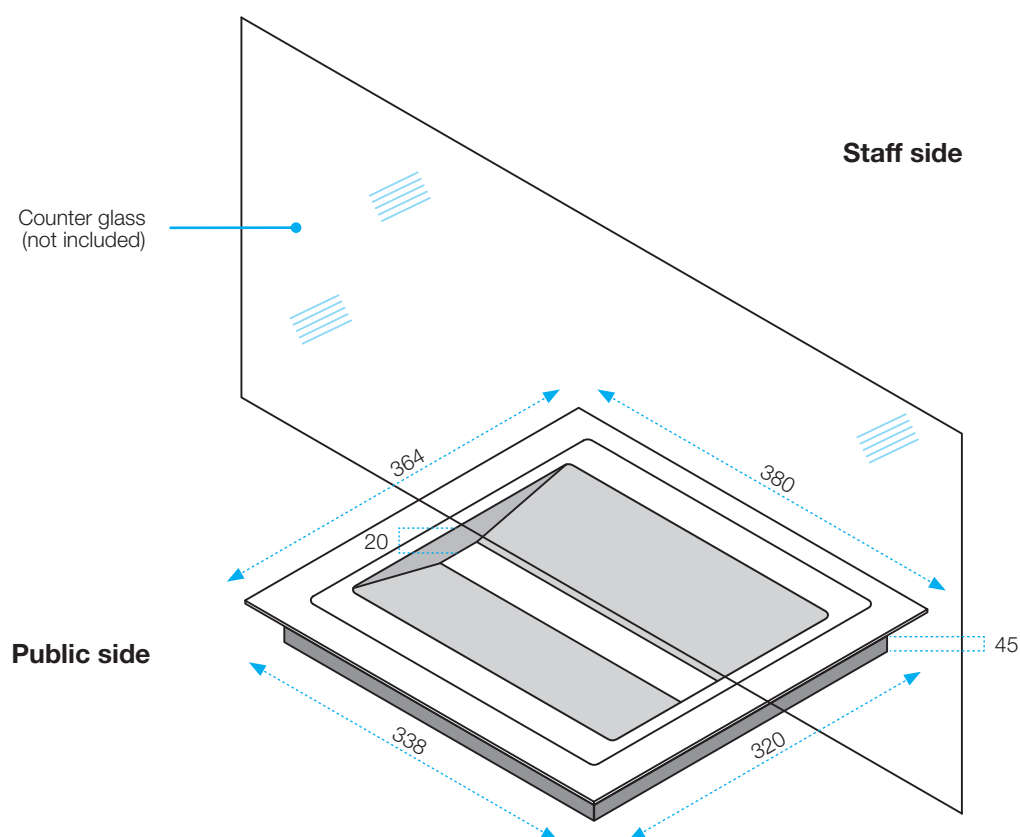


The **Sealeck** Securaguard Type A Tray is a pass thru tray for coins, notes, small documents etc designed to meet G0, G1, G2, R1, S1 bullet resistance to Australian standard AS/N25 2343: 1997



## SECURAGUARD TYPE A TRAY

The Sealeck Securaguard Type A Tray is a pass thru tray for coins, notes, small documents etc designed to meet G0, G1, G2, R1, S1 bullet resistance to Australian standard [AS/N25 2343: 1997](#)



### Description:

Type A pass thru trays allow the safe exchange of coins, notes and small documents beneath the window between staff and the public.

### Specifications:

- 3mm Stainless Steel 304 #4 finish casing
- Black plastic moulded insert for sound absorption when coins are placed into the tray
- Designed to fit flush with joinery bench top
- Various models to suit for G0, G1, G2, R1/S1 bullet ratings to AS2343

### Finishes:

- Upon request a stainless steel tray can replace the black plastic moulded insert.

*Specifications are subject to change without notice*

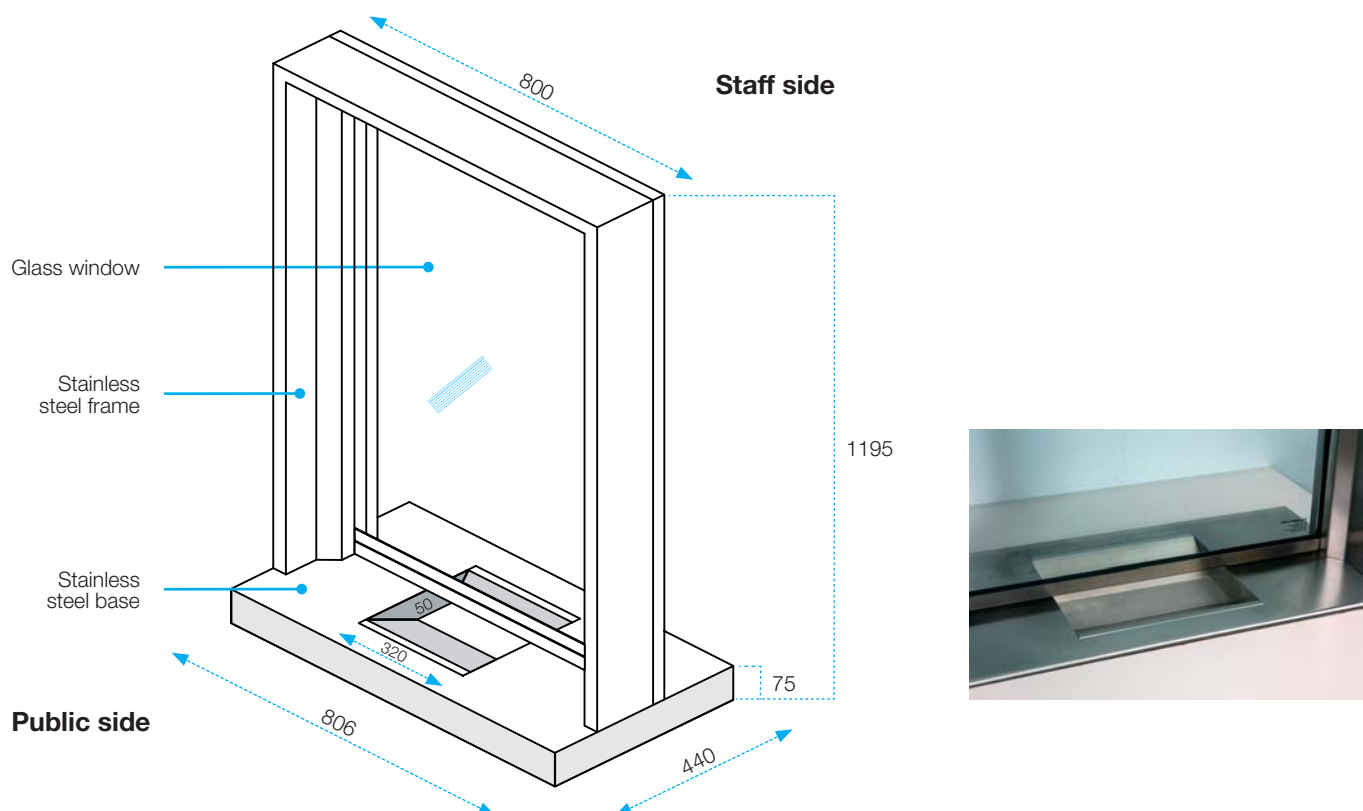
# SECURAGUARD TICKET WINDOW

The **Sealeck** Securaguard Ticket Window is a pass thru tray for coins notes and tickets incorporated below a fixed window unit designed to meet the G0, G1, G2, R1, S1 bullet resistance to Australian standard AS/N25 2343: 1997.



## SECURAGUARD TICKET WINDOW

The Sealeck Securaguard Ticket Window is a pass thru tray for coins notes and tickets incorporated below a fixed window unit designed to meet the G0, G1, G2, R1, S1 bullet resistance to Australian standard [AS/N25 2343: 1997](#)



### Description:

Securaguard ticket windows allow the safe transaction of notes, coins and tickets from one side to the other. Typically used for train station windows and secure parking booths.

### Specifications:

- Designed to fit into a preformed wall opening as it provides its own counter section. No additional joinery is required.
- Upper and lower sections are supplied in a full Stainless Steel 304 #4 finish.
- Integral stainless steel tray suitable for EFTPOS, monetary and paper transactions (increased clearance available upon request)
- Window frame base, glass and glazing tape are supplied in a kit form ready for on-site assembly and installation.
- Can be supplied with voice grills for easy communication
- Can be supplied in a powder coated finish (optional)

*Specifications are subject to change without notice*

# SECURAGUARD ATTACK RESISTANT DOOR-SET



The **Sealeck** Securaguard door set satisfies Australian requirements for AS 3555, 1988 (Intruder resistant standard)

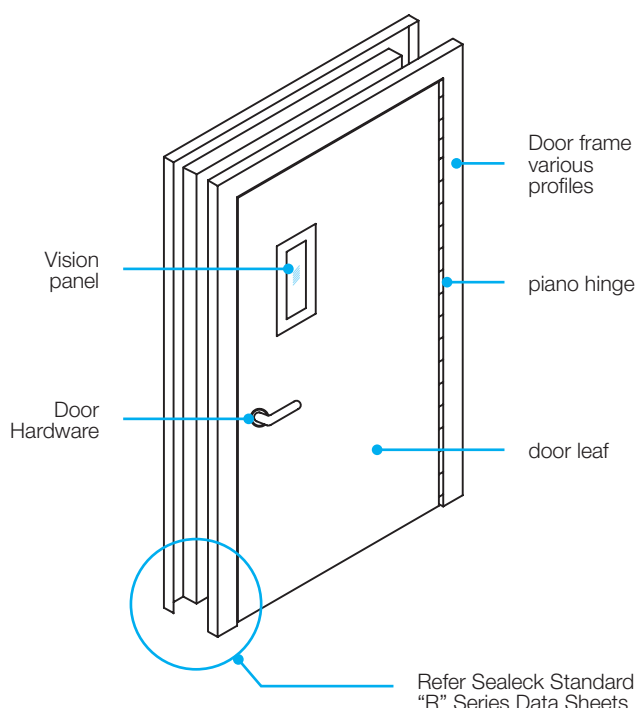


**WEB** // [www.sealeck.com.au](http://www.sealeck.com.au)  
**EMAIL** // [highsecurity@sealeck.com.au](mailto:highsecurity@sealeck.com.au)



# SECURAGUARD ATTACK RESISTANT DOOR SET

The Sealeck Securaguard door set satisfies Australian requirements for [AS 3555](#), 1988 (Intruder resistant standard)



- Standard Hinge: Steel 95 x 4mm thick full length piano hinge with 10mm diameter pin. Screw fixed at 500mm centres down each hinge leaf.

**Options:**

304, 316 grade stainless steel to 2B finish.

**Specifications (door leaf):**

- Sealeck [Sentraguard](#) model and clad with 0.8 mm galvabond sheet steel optionally to 1.6mm steel or 304/316 S/S 2B or linished # 4 finish.
- Surface cladding is enveloped over all faces and is lock seamed on edges.
- Internally a solid HMR core is fitted either side of a centrally mounted fully welded mesh screen and between fully welded perimeter and central horizontal rectangular tube framing.
- Lock blocks are fitted at lock, closer and hinge positions.
- A wide range of lock, handle, closer and bolt hardware can be pre-fitted to suit customer requirements
- Finish is powder coated to your choice of available colour or for S/S materials 2B or linished to No 4 finish.
- Standard leaf sizes:
  - 2040 x 820 x 38mm, 2040 x 920 x 52mm
  - 2040 x 1020 x 38mm, 2040 x 1120 x 52mm
  - Maximum leaf size is 2900mm high x 1420mm wide
- Standard finish for door leaf and frame is powder coated.
- Standard hardware supplied with the door unit is Lockwood Commercial Mortice lock and SCP furniture.

**Optional finishes:**

- 304,316 grade S/S to No 4 linished finish, door leaf & frame
- Embossed S/S claddings available upon request.
- Door leaf & frame can be wet sprayed to your colour choice

**Optional Hardware:**

- Eye viewers
- Heavy duty door closers
- Panic Bars
- Kick Plates

**Description:**

A Physical Attack Resistant door set supplied as a complete unit pre hung in frame, allowing simple on site installment. Additionally the door set can be altered physically and aesthetically to suit most industrial or commercial building types whilst maintaining high levels of security.

**Specifications (door frame):**

- Frame profile: [Sealeck R series](#)
- Standard material:1.6mm steel sheet

**Options:**

Galvanized steel to 3mm, 304, 316 S/S to No4 linished finish.

*Specifications are subject to change without notice*

# SECURAGUARD

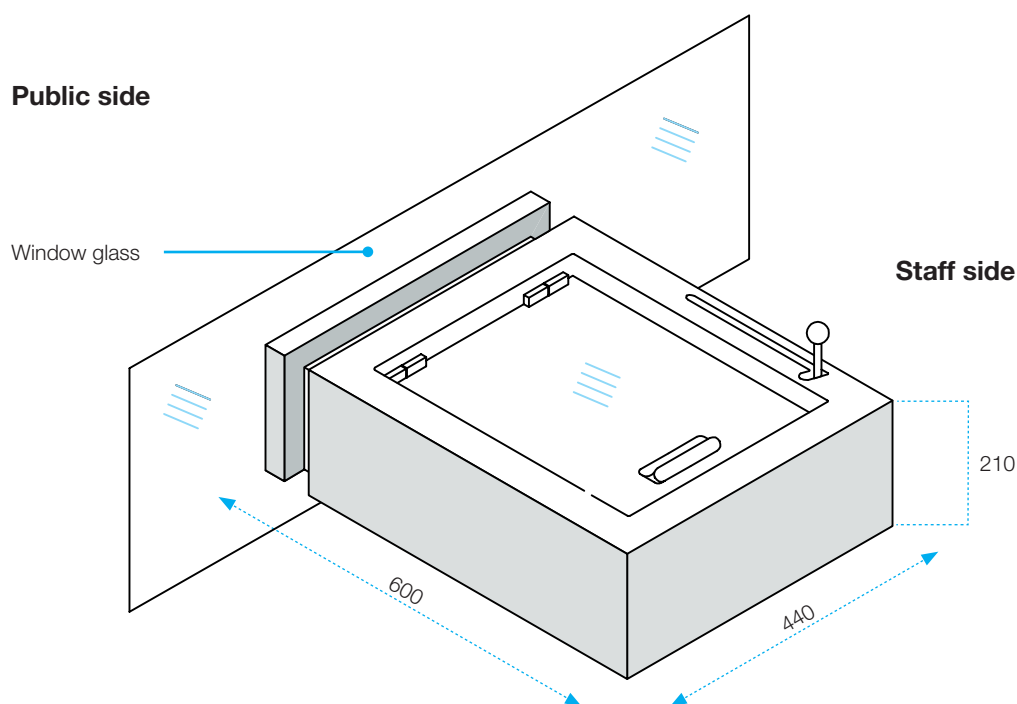
## 501 PASS THRU DRAWER

The **Sealeck** Securaguard 501 Pass Thru Drawer is a pass thru tray for EFTPOS machines and larger items, designed to meet the G0, G1, G2, R1, S1 bullet resistance to Australian standard AS/N25 2343: 1997



## SECURAGUARD 501 PASS THRU DRAWER

The Sealeck Securaguard 501 Pass Thru Drawer is a pass thru tray for EFTPOS machines and larger items, designed to meet the G0, G1, G2, R1, S1 bullet resistance to Australian standard [AS/N25 2343: 1997](#)



### Description:

Model 501 pass thru trays facilitate easy opening of the drawer from secure staff side with the built in lever. Following this the customer withdraws object from the unit. Useful for petrol stations and other after hours facilities which require cash, credit card, EFTPOS machine and goods to be passed between staff and customers.

### Specifications:

- Stainless Steel 304 #4 finish
- Clear Perspex lid
- Simple slide operation
- Lockable control of the drawer
- Can be supplied in a powder coated finish (optional)
- Can be made to order to suit larger items i.e. large 2lt soft drink bottle
- Designed to be surface mounted upon bench tops or to be recessed flush with counter surface.
- Voice grille above the box to enable voice transfer is optional. (Voice transfer does not comply with AS 2343 ratings)
- Suitable for G0, G1, G2, R1/S1 bullet ratings to AS2343

*Specifications are subject to change without notice*

# SECURAGUARD

## 501 COUNTER MODULE WITH VARIABLE HEIGHT AND WIDTH



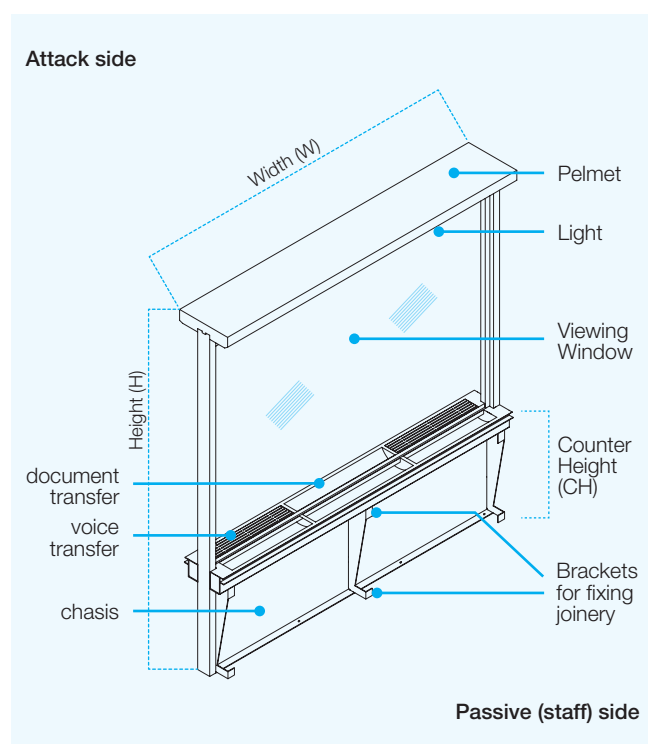
The **Sealeck** Securaguard 501 counter module satisfies Australian requirements for AS-2343, 1997 (Bullet resistant standard) and AS 3555, 1988 (Intruder resistant standard)



**WEB** // [www.sealeck.com.au](http://www.sealeck.com.au)  
**EMAIL** // [highsecurity@sealeck.com.au](mailto:highsecurity@sealeck.com.au)

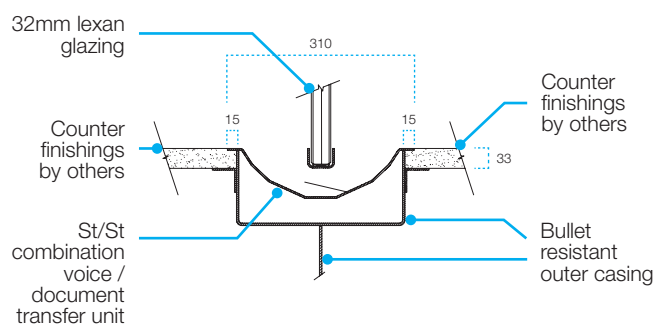
## SECURAGUARD 501 COUNTER MODULE WITH VARIABLE HEIGHT AND WIDTH

The Sealeck Securaguard 501 counter module satisfies Australian requirements for AS-2343, 1997 (Bullet resistant standard) and AS 3555, 1988 (Intruder resistant standard).



### Description:

Sealeck 501 counter modules are aesthetically attractive, unobtrusive and have the ability to allow easy communication and exchange of items whilst maintaining high levels of security in the form of attack/bullet resistance from the floor all the way up to the top of the window.



### Specifications:

- Can be supplied bare to suit commercial joinery or as a pre-finished unit.
- Modules are supplied in a 304 S/S, with lished No4 finish on all visible surfaces not covered by joinery.
- Standard counter heights are 720mm for disabled access or 910mm for standing access.
- Overall height including glazing is 2020mm for disabled access or 2210mm for standing access.
- Maximum glazing height above counter for clear viewing is 1200mm.
- Counter widths range from 1200mm, 1500mm, 1800mm, 2100mm & 2400mm.

*Non standard sizes for counters can be made to order.  
Specifications are subject to change without notice.*

## SECURAGUARD 501 COUNTER MODULE WITH VARIABLE HEIGHT AND WIDTH

The Sealeck Securaguard 501 counter module satisfies Australian requirements for AS-2343, 1997 (Bullet resistant standard) and AS 3555, 1988 (Intruder resistant standard).

### Options:

- Available Bullet Resistance ratings are G1, G2, R1 or S1 & R2.
- Voice transfer is achieved by utilizing the voice grill built into the counter  
*A separate electrical voice loop can be supplied upon request.*
- Special item and document pass thru options are available for use in conjunction with the standard counter.

*For information on the units please refer to our Technical data sheets [HST20 Type "B" Tray](#) and [HST40 501 Drawer](#).*

- Counter heights to suit seated interview, disabled and normal standing.
- 316 No4 stainless steel finish is available.
- For lighting requirements, fluorescent lighting can be supplied at an additional cost in the pelmet section of the counter.
- For privacy requirements, Venetian blinds can be supplied at an additional cost.

### Glazing Options:

- For Counters up to G2 classification either 32mm polycarbonate or Glass clad polycarbonate can be supplied.
- All counters supplied above the G2 classification will be supplied with Glass clad polycarbonate only.

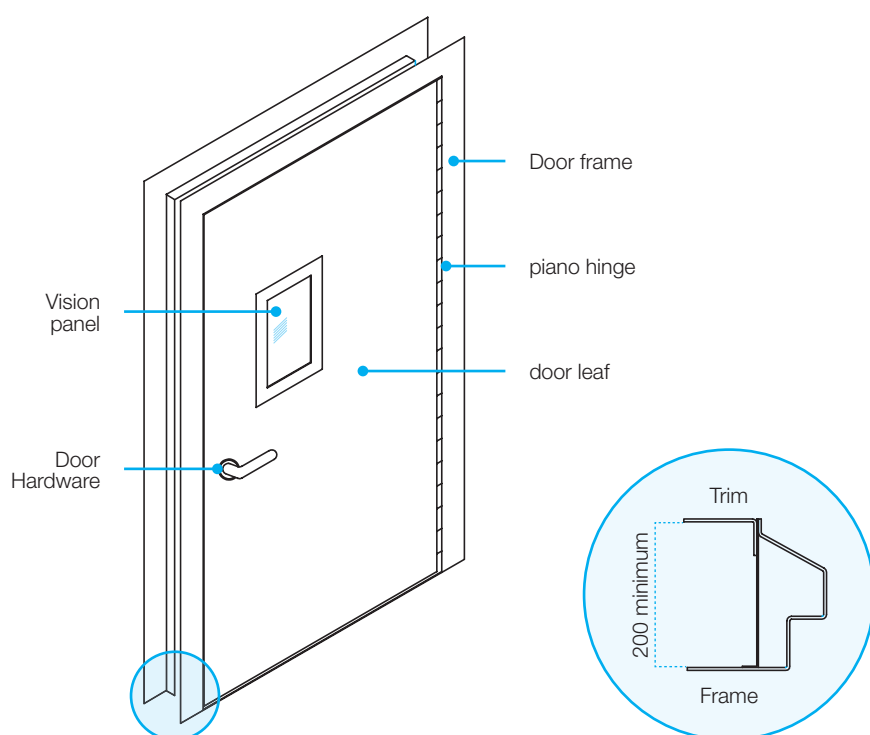
# SECURAGUARD BLAST DOOR

**Sealeck** Securaguard Blast Door successfully tested to 500Kg ANFO (415Kg TNT) from a stand off distance of 30 metres and 5000Kg TNT from a stand off distance of 68 metres



## SECURAGUARD BLAST DOOR

Sealeck Securaguard Blast Door successfully tested to 500Kg ANFO (415Kg TNT) from a stand off distance of 30 metres and 5000Kg TNT from a stand off distance of 68 metres



### Specifications:

- 2140mm high x 1020mm wide, 60mm thick door leaf with primed steel finish skin over a welded inner frame (powder coated or stainless steel clad optional).
- Internally mounted manual 4 point locking system comprising head and three jamb position locking using high tensile locking bolts. (Automatic operation and relocking facility with electronic local or remote access features is optional)
- Tested with vision panel 950mm high x 150mm wide to meet above blast ratings (vision panel optional).
- 3mm thick folded four sided steel frame to suit pre-cast concrete opening.
- Full heavy duty piano hinge system in stainless steel
- Tested Pressure conditions as follows:
  - Peak Reflected over pressure 272.8 (kPa)
  - Arrival time 71.6 (msec)
  - Peak Reflected impulse 1577.7 (kPa.msec)
- Hydraulic door closer as standard (automatic closer/opener is optional)
- Dust and weather seals are available at an additional cost

*Specifications are subject to change without notice*

### Description:

A blast resistant door set which has been successfully tested to actual blast conditions at the Woomera Rocket range. Two tests were successfully carried out as follows: -

- 500Kg ANFO (415Kg TNT) from a stand off distance of 30metres
- 5000Kg TNT from a stand off distance of 68 metres

The door is suitable for use in Guardhouses and high security areas in Embassies, Power Stations, Chemical plants etc... Door panel to frame shock

absorber system (pat pending) enables door leaf to move and absorb shock of explosion without incurring damage to the remainder of the door

This feature enables the door system to be fully operational after a blast and may avoid replacing the entire door system where a 500kg TNT blast was detonated 30 m from the door installed in a concrete bunker. Refer to Standard Specifications for pressure conditions. It is suitable for use across commercial and industrial applications such as gas plant or mining site buildings or high security governmental buildings.



# SECURAGUARD

## BULLET / ATTACK RESISTANT DOOR-SET



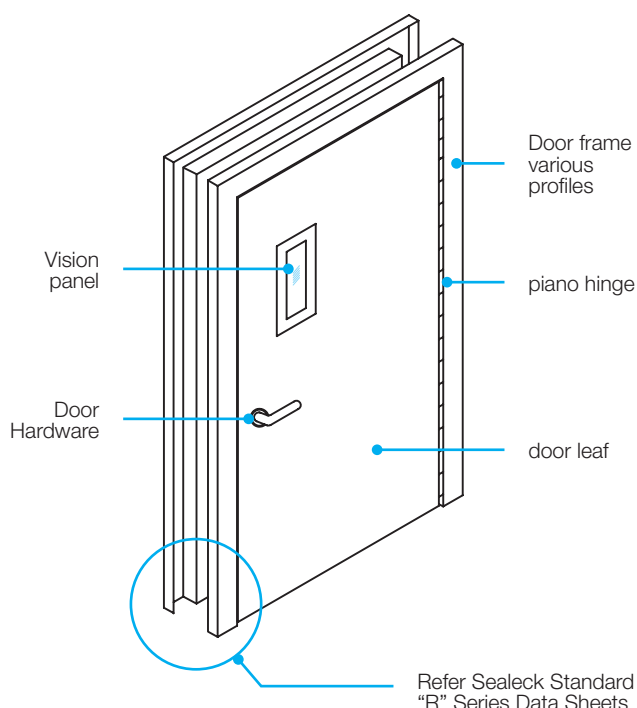
The **Sealeck** Securaguard Bullet/Attack resistant door set satisfies Australian requirements for AS3555,1988 (Intruder Resistant



**WEB** // [www.sealeck.com.au](http://www.sealeck.com.au)  
**EMAIL** // [highsecurity@sealeck.com.au](mailto:highsecurity@sealeck.com.au)

# SECURAGUARD BULLET / ATTACK RESISTANT DOOR SET

The Sealeck Securaguard Bullet/Attack resistant door set satisfies Australian requirements for AS3555, 1988 (Intruder Resistant Standard) and AS2343, 1997 (Bullet Resistant Standard)



## Description:

A bullet and attack resistant door set supplied as a complete unit pre hung in frame, allowing simple on site installment. Additionally the door set can be tailored physically and aesthetically to suit most industrial or commercial building types whilst maintaining high levels of security.

## Specifications (door frame):

- Frame profile: [Sealeck R series](#)
- Standard material: 1.6mm Zincaneal sheet

### Options:

galvanized steel to 3mm, 304 grade stainless steel, 316 grade stainless steel.

- Standard Hinge: Steel 95 x 4mm thick full piano hinge with 10mm diameter pin. Screw fixed at 500mm centres down each hinge leaf.

### Options:

2B grade stainless steel.

## Specifications (door leaf):

- 38mm door leaf steel clad both sides.
- Door surfaces are welded, filled and ground smooth to provide a clean seamless edge.
- External steel skins welded to an inner reinforcing frame which creates an air gap.
- Lock hardware latch plate is recessed into the door edge so as to be flush (or near flush) with the external edge of the door leaf.
- Standard leaf sizes:
  - 2040 x 820 x 38mm, 2040 x 920 x 38mm,
  - 2040 x 1020 x 38mm, 2040 x 1120 x 38mm,
  - Maximum leaf size is 2400mm high x 1200mm wide
  - Maximum leaf thickness is 60mm.

## Options:

- Standard finish for door leaf and frame is factory primed.
- Standard Hardware supplied with the door unit is Commercial Mortice lock and Standard Commercial SCP furniture.

### Optional finishes:

- Polished Stainless Steel, Door Leaf & Frame
- Wet Sprayed to your colour choice Door leaf & Frame
- Powdercoated, Frame Only
- Special Timber Veneer. Leaf Only
- MDF. Leaf Only

### Optional Hardware:

- Eye viewers
- Heavy duty door closers
- Panic Bars
- Kick Plates

*Specifications are subject to change without notice*

# SECURAGUARD TYPE D TRAY

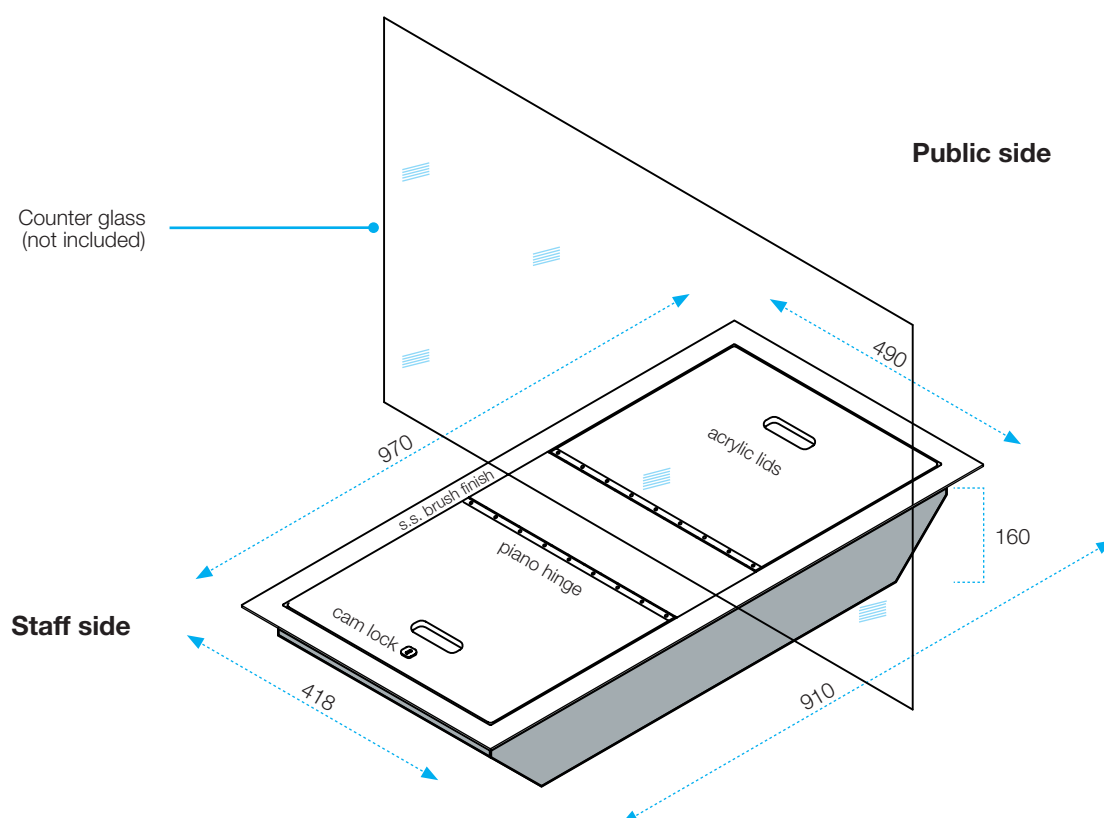
The **Sealeck** Securaguard Type D tray is a pass thru unit for cash register trays designed to meet G0, G1, G2, R1, S1 bullet resistance to Australian standard AS/N25 2343: 1997



**WEB** // [www.sealeck.com.au](http://www.sealeck.com.au)  
**EMAIL** // [highsecurity@sealeck.com.au](mailto:highsecurity@sealeck.com.au)

## SECURAGUARD TYPE D TRAY

The Sealeck Securaguard Type D tray is a pass thru unit for cash register trays designed to meet G0, G1, G2, R1, S1 bullet resistance to Australian standard [AS/N25 2343: 1997](#)



### Description:

Type D pass thru trays allow safe exchange of cash register trays beneath the counter surface. Staff opens inside lid on one side of window or partition and places object within the tray. Recipient opens lid on the other side and removes object

### Specifications:

- 3mm Stainless Steel 304 #4 finish casing
- Clear perspex lids to both staff and public sides of the unit
- Locking lid to staff side to control the removal of items being passed through
- Suitable for cash offices where cash register tray needs to be handed in daily.
- Extra locking lid to public side to control the placement of items being passed through (optional)
- Various models to suit G0, G1, G2, R1/S1 bullet ratings to AS2343

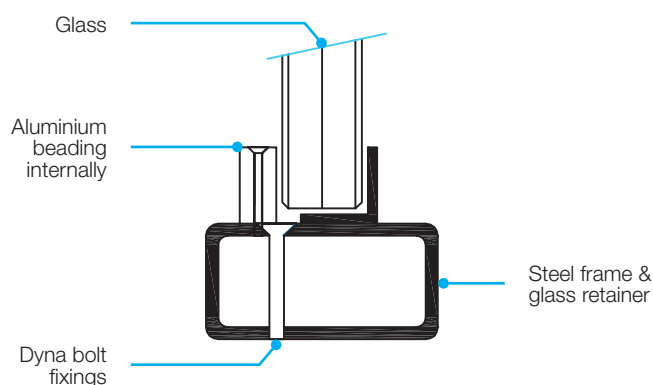
*Specifications are subject to change without notice*

## SECURAGUARD STEEL FRAME WINDOW UNIT

The Sealeck Securaguard Steel Frame Window Unit satisfies Australian requirements for [AS-2343](#), 1997. (Bullet resistant standard) and [AS 3555](#), 1988 (Intruder resistant standard)

### Description:

The Securaguard attack and bullet resistant window unit is supplied either as a single unit or in conjunction with a bullet and attack resistant counter, pass thru unit or door. The window system mixes function and aesthetics when applied as part of an overall secure unit.



### Specifications:

- Standard windows are supplied in primed steel finish for the window framing and glazing beads.
- Windows are supplied with the glazing beads pre-fitted for simple site installation once the frame has been built into the required wall.
- Windows are made to order to suit a range of wall thicknesses and structural openings
- Maximum glass panel size is 1200 x 2400mm.

*Specifications are subject to change without notice*

### Options:

- Available Bullet Resistance ratings are G1, G2, R1/S1 & R2.
- Various wall fixing options for steel, timber stud and concrete wall openings.
- Powdercoated or 2 Pack wet painted steel framing and glazing beads available at extra cost
- 304 No4 or 316 No4 stainless steel finish framing and glazing beads at extra cost.
- Split 2-Piece frames for retro fit applications and where the wall thickness may vary.

### Glazing Options:

- For windows up to and including G2 either 35mm polycarbonate or combination glass/ polycarbonate product can be supplied.
- All windows supplied above the G2, i.e. R and S rated classification will be supplied with combined glass/ polycarbonate product only.
- Tinted, Mirror striped and 1 way combined glass/polycarbonate can be supplied at additional cost.