



Leading Window & Door Systems



Wintec Aluminium



Since our beginning in 1997, we have developed a range of window and door products that are innovative, functional and stylish.

Wintec Aluminium windows and doors are an all Australian designed and manufactured product, with modern designs and quality finish at the forefront of the Wintec philosophy.

An ongoing commitment to product development and service to our Australia wide fabricator base ensures that no matter where you are, you have access to the latest designs in the Window and Door industry.

“Australia’s Leading Window and Door Systems”

Products and Services

Aluminium Windows & Doors

Wintec have products to suit all areas in Australia – consisting of, Sliding windows, Sliding doors, Awning and Casement windows, Double Hung windows, Louvres, Sliding Multi Track doors, French doors and Bi-folding doors .

Window & Door Testing Laboratory

The Wintec designed products are tested to Australian standard AS2047-1999 in NATA accredited laboratory No 14093. This ensures your windows and doors comply with the building code of Australia [BCA] and are suited to your particular location. In line with the BCA requirements Wintec windows and doors carry a 7 year guarantee.



Hinged Doors



Structural .

Strong hollow rails, stiles and mid rails give this Hinged Door the edge in strength and serviceability. The Wintec French Door can be coupled with all other Wintec Products. Mitred door sash is 75mm x 48mm and can also be double glazed.

Weather .

Unique "Z" seals as well as Q'lon seals for the Head, Sill and Stiles provides excellent sealing from the weather.

Aesthetics .

Rounded rails help to give this door the classy yet structurally sound look. This system is available in various glazing options and styles.

Additional Benefits .

This system can be individually glazed and is also available in a federation style. Doors can be opened inwards as well as outwards with the Triple 1 framing system.

Note .

It is not a requirement for hinged doors to be tested in accordance to AS2047. It is an initiative of Wintec Aluminium to achieve ratings on air infiltration and water penetration for all window and door products.



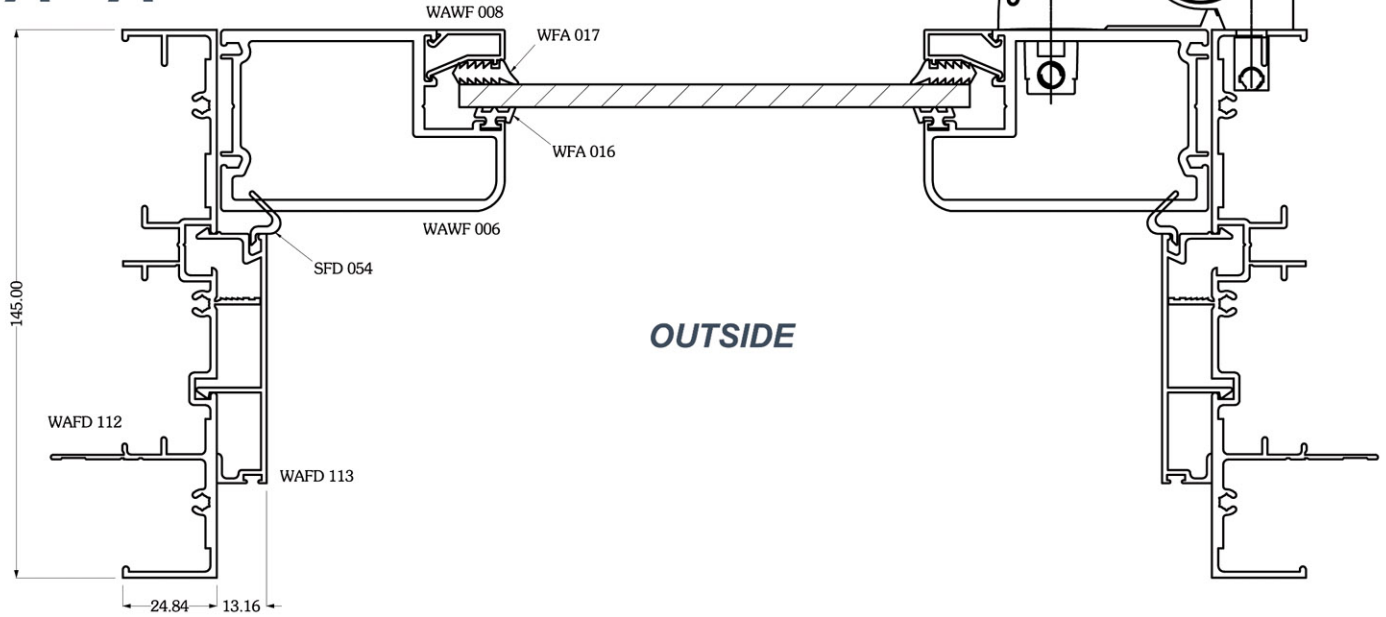
Tripole 1 French Door

- Full perimeter frame sealing system using Q'Lon foam seals
- Self draining hollow inward and outward opening sills
- Rated sill is tested to 200Pa water penetration resistance
- Double rebate jambs suited for security door
- Suited to double glazing



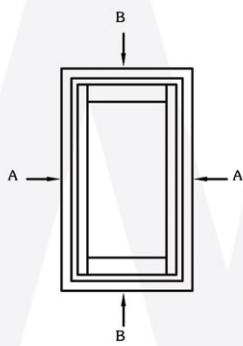
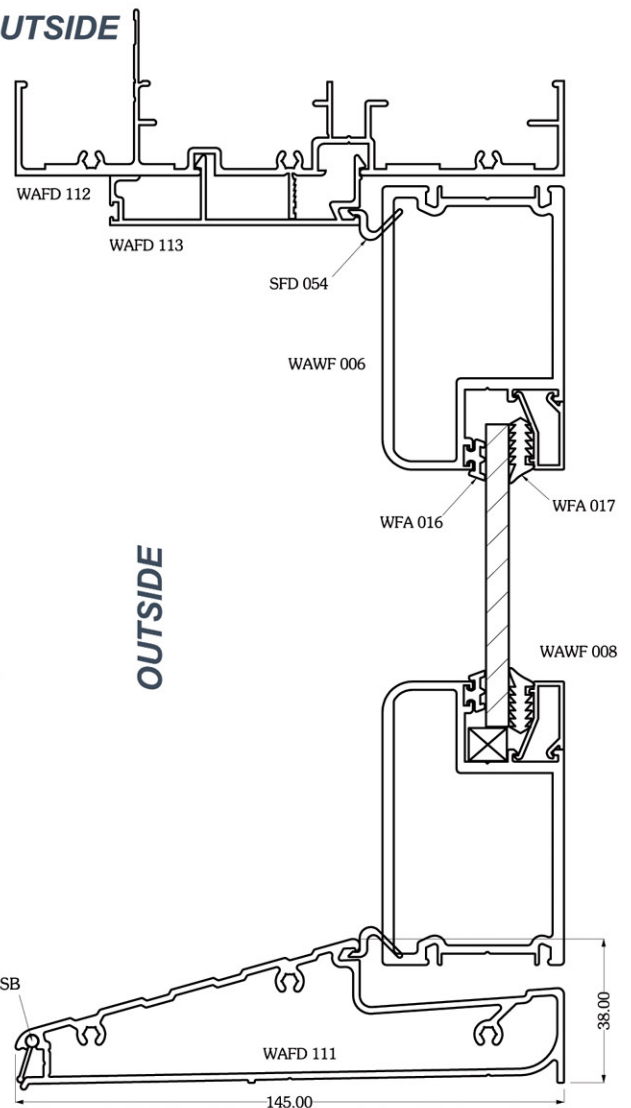
Hinged Door - OPENING IN

A - A

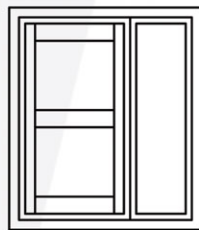


B - B

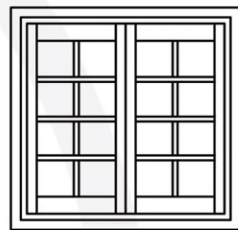
Typical 111 French Door - VIEW FROM OUTSIDE Technical Configurations - Scale 1:2



STANDARD FRENCH DOOR



FRENCH DOOR WITH MIDRAIL - SIDE LITE



COLONIAL FRENCH DOOR - DOUBLE FRENCH DOOR

Contact your local Wintec Fabricator for other configuration options.

Hinged Door Hardware

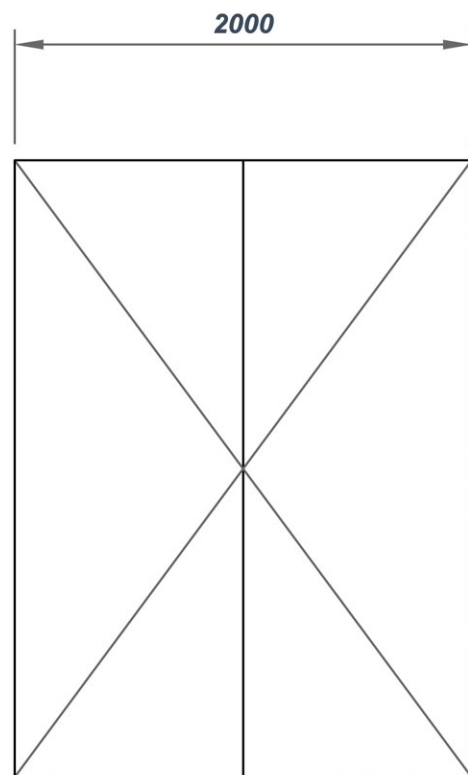


Lever Handle



Multi Point Locking

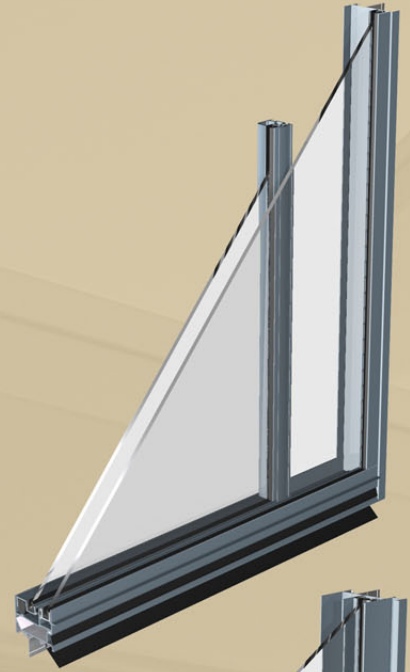
Maximum Sizes Table



***Note:** For products or configurations outside of these sizes, or pressures exceeding 1000Pa please contact your nearest Wintec Fabricator

Sliding Window

- Heavy duty double rollers.
- Smooth operation & durability.
- No unfinished or exposed edges.
- Great aesthetics clean with ease.
- Hollow sections = Added strength.
- Better energy efficiency & acoustic results.
- No internal projection of transom or sash sections.
- High quality sealing system = Low air infiltration rates.
- Available in frame widths of 48mm, 65mm, 75mm & 100mm.



Double Hung Window

Standard double hung features:

- Hollow rails = Added strength.
- Built in extruded handles in sash.
- Flush Stiles to jambs = Clear sight lines.
- Insect & Security screens can be fitted internally.

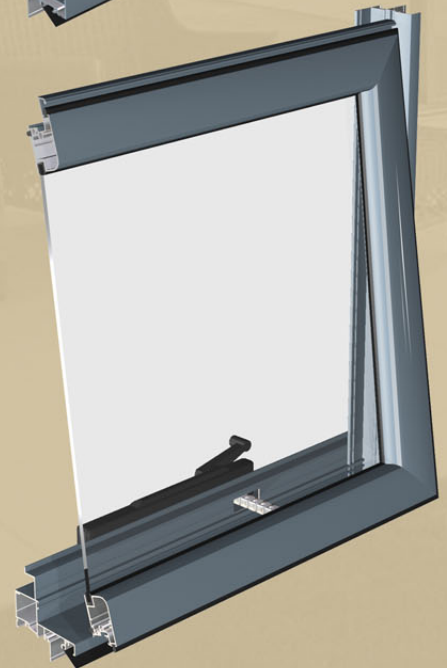
The Federation [wide stile] features:

- Wider sash that replicates a timber double hung.
- Dual colour combination options, i.e. Sash different to frame.



Awning & Casement Window

- Rounded stiles & rails = Great aesthetics.
- Hollow sections = Added strength & security.
- Optional chain winder or friction stay operators.
- Available in frame widths of 48mm, 75mm & 100mm
- Double sealing system = Better acoustics & energy loss reduction.

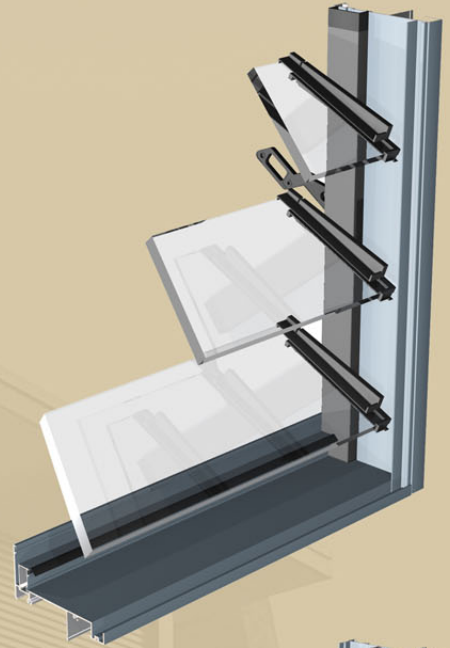


Members of



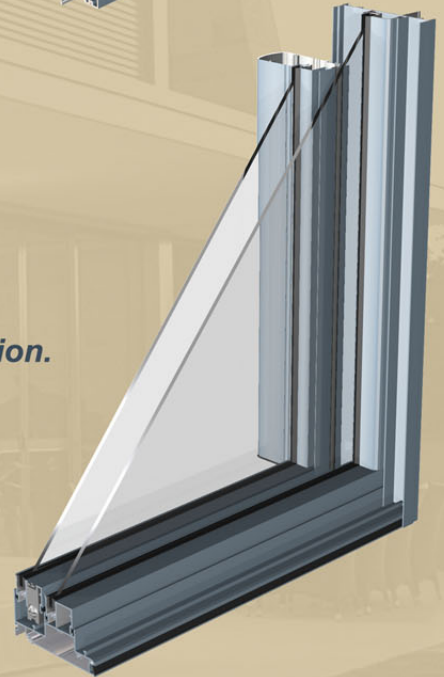
Louvre Window

- **Excellent product for ventilation.**
 - **CDA brand galleries fit as standard.**
 - **Built in fly screen provision as part of the frame.**
 - **Accommodate glass, aluminium or timber blades.**
- Various operating systems are available:**
- **Remote control, handle locking bars & manual operation.**



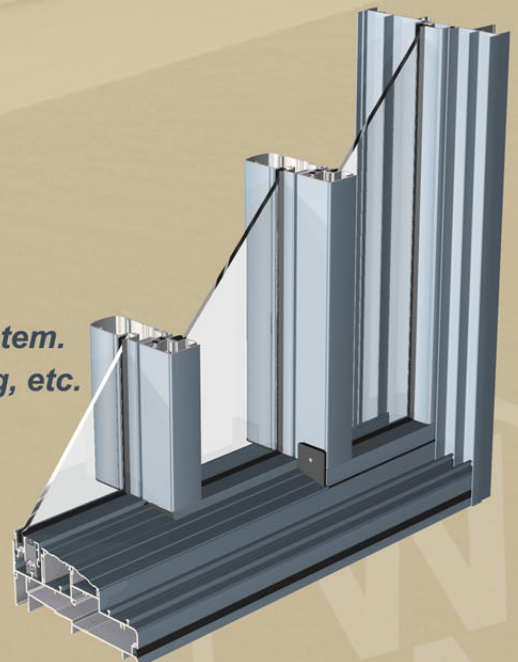
Sliding Door

- **Built-in security screen tracks.**
- **Better energy efficiency & acoustic results.**
- **High quality sealing system= Low air infiltration rates.**
- **Rounded interlocks = Strength & stylish aesthetics.**
- **Various sill types: Low profile sills available for wheelchair access.**
- **Standard Maximum door height of 2700mm; Larger doors on application.**



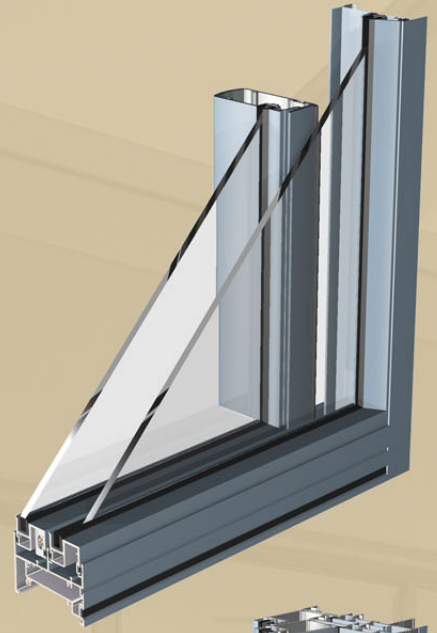
Multi Track Sliding Door

- **Great alternative to Bi-folds;**
- **Door panels do not impede on indoor or outdoor areas.**
- **Multiple stacking panels including built in security tracks.**
- **The Multi track includes all other features of the sliding door system.**
- **Sill can be flush fitted with drainage underneath external decking, etc.**



Summit Sliding Door

- Where Size & Strength Matters.
- Larger uninterrupted views.
- Heavier gauge wall sections.
- Large interlocking hollow sections.
- Summit door rates above 8 Kpa wind loads.
- Summit sliding door heights above 3 metres.
- Suitable for all regions = High wind, coastal & cyclonic.
- Water rating in accordance with AS2047-1999 is 600Pa.
- The Summit includes all other features of the sliding door system.



Hinged Door

- Security door outside.
- Suits 50mm door inside.
- Total perimeter frame sealing system.
- Inswing or Outswing options available.
- Guaranteed air tightness = Noise & energy efficiency.
- Sloped sill for better wheelchair access & water run-off.
- Frame features a double rebate for security door fittings.
- Efficient drainage system for any standard Aluminium or Timber door.



Winfold Bi-folding Door

- Stylish Aesthetics.
- Rounded hollow construction.
- Ideal for coastal and exposed locations.
- Multi point locking hardware for better security.
- Dust seal on head track reduces wear and corrosion.
- Winfold sill is reversible = Inward or outward openings.
- Available in a low profile sill for easy access applications.
- Uninterrupted views without sacrificing strength and safety.
- Various door heights & combinations available up to 3 metres.
- Quality marine grade stainless steel hardware = Product longevity.
- Quality seals, ensures energy efficiency and weather performance.



Wintec Gallery



Sliding Window



Double Hung Window



Awning Window



Louvre Window



Sliding Door



Multi Track Sliding Door



Summit Sliding Door



Hinged Door



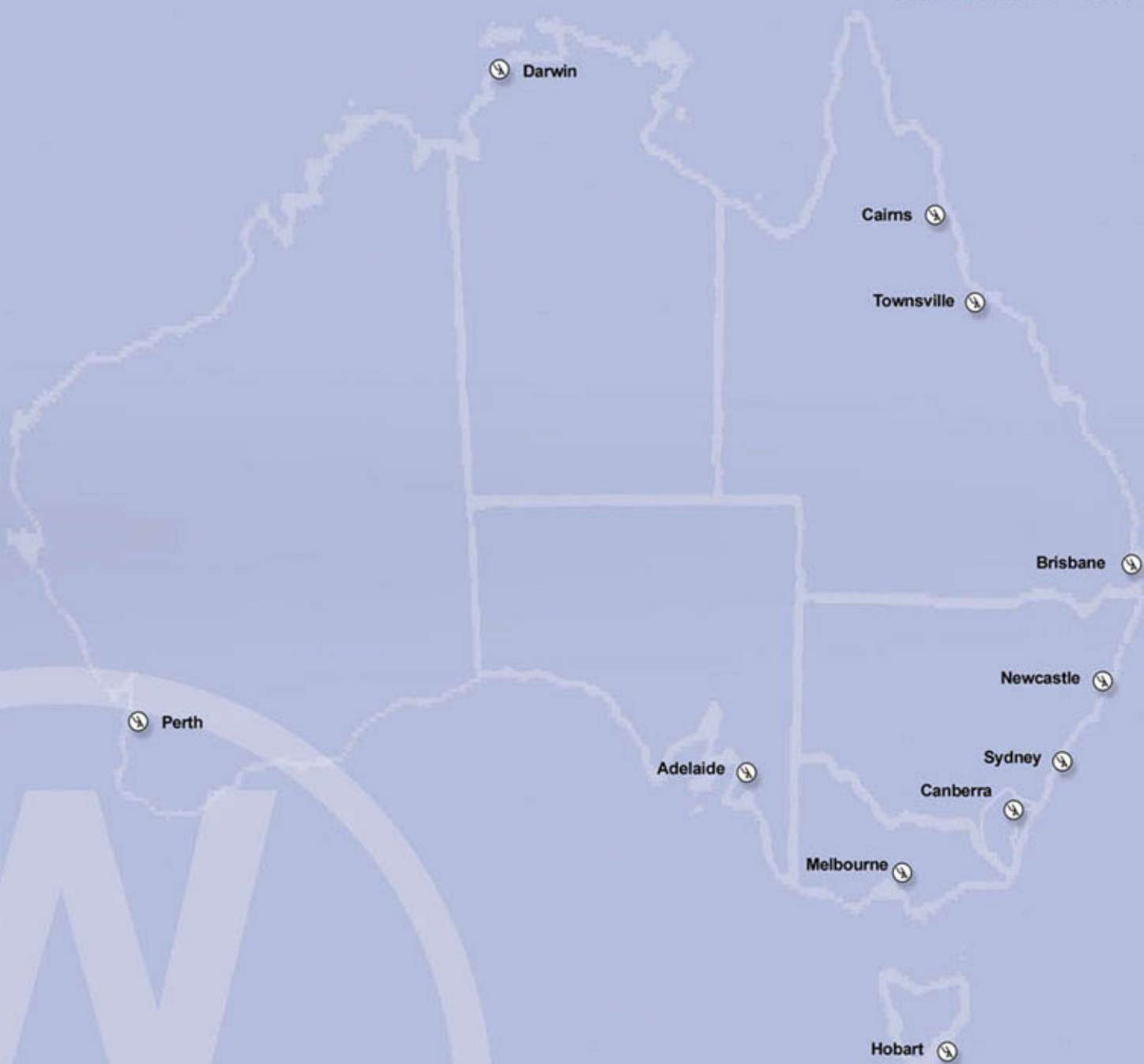
Winfold Bi-Folding Door

ULLRICH

Wintec Aluminium Stock



*Wintec Aluminium sections are stocked
throughout Ullrich Aluminium branches
Australia wide*



*Looking for more information about
Wintec Aluminium? Visit us on the web at
www.wintecaluminium.com.au*