

**HÄFELE**  
Design  
by **LISUS**<sup>®</sup>



“C” Series  
Spider Fittings



## 'C' Series Spider Fittings

### Point Fixed Glass Facade System

With utmost attention to design, the C Series concealed Spider Fitting encompasses functionality while encapsulating elegance. Having spent more than three decades as innovators in this field, LISUS has developed a product which puts a refreshing spin on spider fittings for frameless glass facades and walls.

Its luscious curves defy the standard design blueprints of a spider fitting while neatly concealing the bolts that hold the clamps in place. It also comes with a Hole Finder which minimises inaccuracies and makes for a perfect fit every time.

#### at a glance

- Polished or Satin Finish
- Casting Grade: ASTM CF8M/EN 1.4408
- Equivalent: 316/EN 1.4401



C



CX



PFC



C Bolts

C SERIES is a refined and technologically forward series. The collection defines grace in its design and is set to create a sensation in the architectural industry.

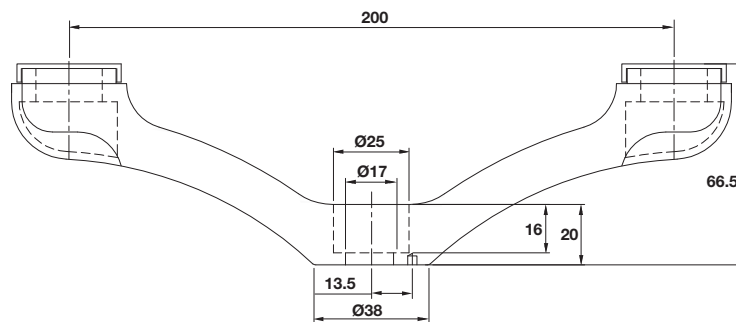


**'C' Series Spider Fittings**



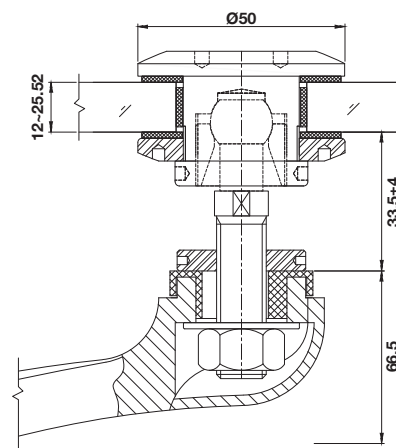
**C Series Node Fix Spider**

Designed for fixing at a single point to building structures or steel work. Available in a number of different configurations.



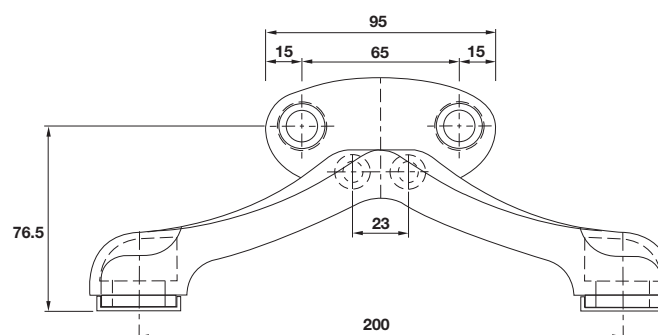
**Glass connectors for C & PFC series.**

Available in both CSK or Button head, Rigid bolt or Articulated bolt. Will meet any design criteria, even double glazed units.



**PF-C Series Fin Fixed Spider**

Designed for fixing to either glass or steel structural fin supports. available in 2 point or 4 point fixings



Dimensions in mm Dimensional data not binding. We reserve the right to alter specifications without notice.



**HÄFELE AUSTRALIA PTY. LTD.**  
**State Offices**

**Victoria (Head Office)**  
T: (03) 9212 2000  
F: (03) 9212 2001  
E: info@hafele.com.au

**New South Wales**  
T: (02) 8788 2200  
F: (02) 8788 2201  
E: nsw@hafele.com.au

**A.C.T & Southern NSW**  
T: (02) 6202 2800  
F: (02) 6228 1418  
E: act@hafele.com.au

**Northern New South Wales**  
T: (02) 8788 2200  
F: (02) 4921 0901  
E: nsw@hafele.com.au

**Queensland**  
T: (07) 3307 8900  
F: (07) 3307 8901  
E: qld@hafele.com.au

**South Australia**  
T: (08) 8232 9933  
F: (08) 8232 9977  
E: sa@hafele.com.au

**Western Australia / N.T.**  
T: (08) 9209 8000  
F: (08) 9249 3328  
E: wa@hafele.com.au

**Tasmania**  
T: (03) 6331 7106  
F: (03) 6334 6414  
E: tas@hafele.com.au

**Design Centres**

**Melbourne Design Centre**  
T: (03) 9212 2000  
F: (03) 9652 3701  
E: info@hafele.com.au

**Sydney Design Centre**  
T: (02) 8788 2200  
F: (02) 8302 2101  
E: nsw@hafele.com.au

**Brisbane Design Centre**  
T: (07) 3307 8900  
F: (07) 3307 8901  
E: qld@hafele.com.au

**Perth Design Centre**  
T: (08) 9209 8000  
F: (08) 9215 6101  
E: wa@hafele.com.au

**Hobart Design Centre**  
T: (03) 6331 7106  
F: (03) 6334 6414  
E: tas@hafele.com.au

**HÄFELE NEW ZEALAND LTD.**  
**Offices and Design Centres**

**Häfele (NZ) Head Office  
Eastern Design Centre**  
T: (09) 274 2040  
F: (09) 274 2041  
E: info@hafele.co.nz

**Auckland Design Centre**  
T: (09) 274 2530  
F: (09) 274 2531  
E: architectural@hafele.co.nz

**Wellington Design Centre**  
T: (04) 472 0294  
F: (04) 472 0295  
E: wellington@hafele.co.nz

**Christchurch Design Centre**  
T: (03) 343 8200  
F: (03) 343 8201  
E: christchurch@hafele.co.nz



“The world’s most  
beautiful Spider”

[www.hafele.com](http://www.hafele.com)

This Catalogue is for use of the recipient only. It remains in all respects the property of Häfele. Reproduction of this brochure in whole or part, or the reproduction of the illustrations as well as the copying of the layout, is strictly prohibited. All measurements given in this publication are not binding. Rights for design improvements reserved. Häfele holds no responsibility for typographical or other errors occurring in the catalogue production. All deliveries made corresponding to Häfele sales conditions. Häfele reserves the right to adjust prices as may be deemed necessary.  
2011. Copyright by Häfele. All rights reserved. Printed in Australia.

732.04.699 - 03/11