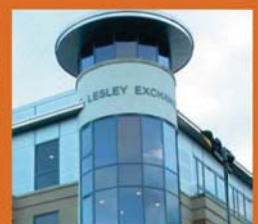


THE STEEL ALTERNATIVE  
curtain wall & roof glazing systems



# Company



Smoke Control is an Australian owned and operated company that was created through partnering with leading International and local organisations. Smoke Control operates in Australia and New Zealand.

Smoke Control, design, supply and install a range of high quality specialist steel and stainless steel glazing systems design of architectural glazing systems.

All systems are backed by both local and international approvals to provide the widest range of glazing systems available.

Only Smoke Control can effectively interface a range of systems at corners and junctions to meet demanding architectural goals.

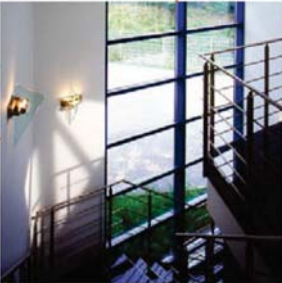
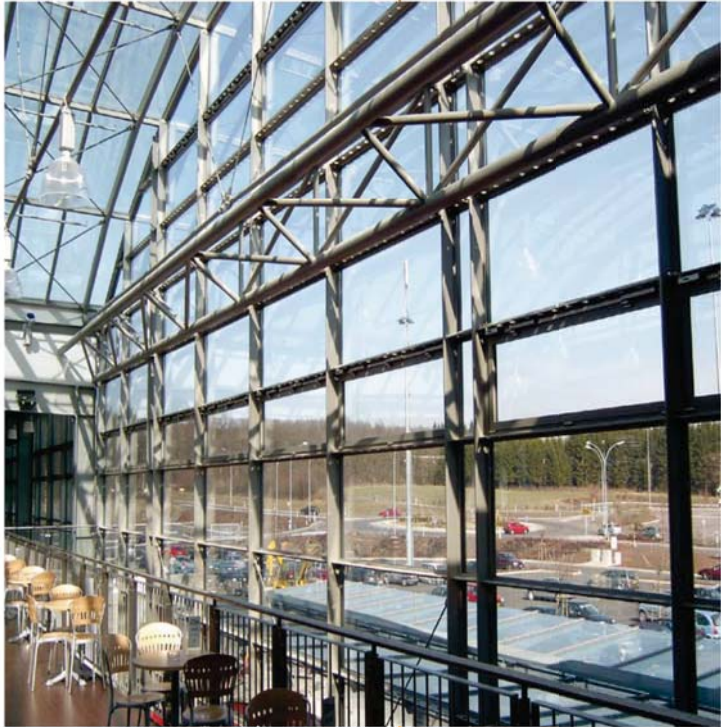


# Systems

The Curtain Wall systems, designed as a cost effective solution for specialist applications, are backed up with continuous testing and development programmes.

All systems are can be prefabricated and assembled on site. Profiles are produced from cold rolled hollow sections, manufactured to strict production tolerances.

Modern manufacturing processes, allow us to produce steel glazing systems, which combine the inherent strength and durability of steel, with the aesthetic qualities normally associated with aluminium systems.



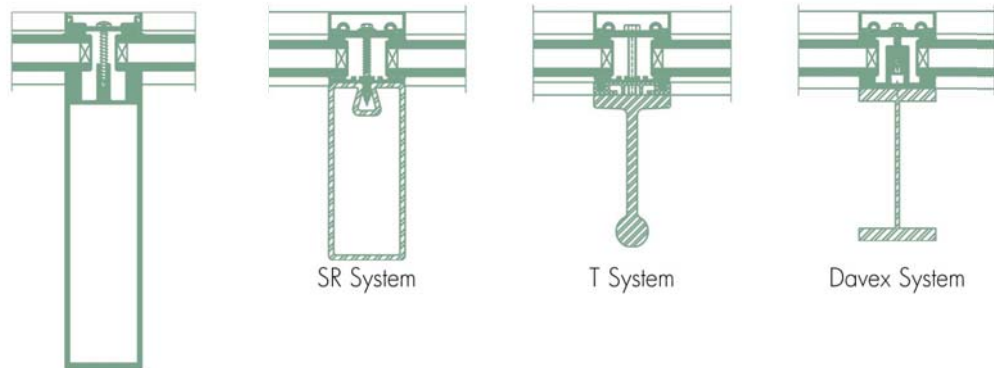
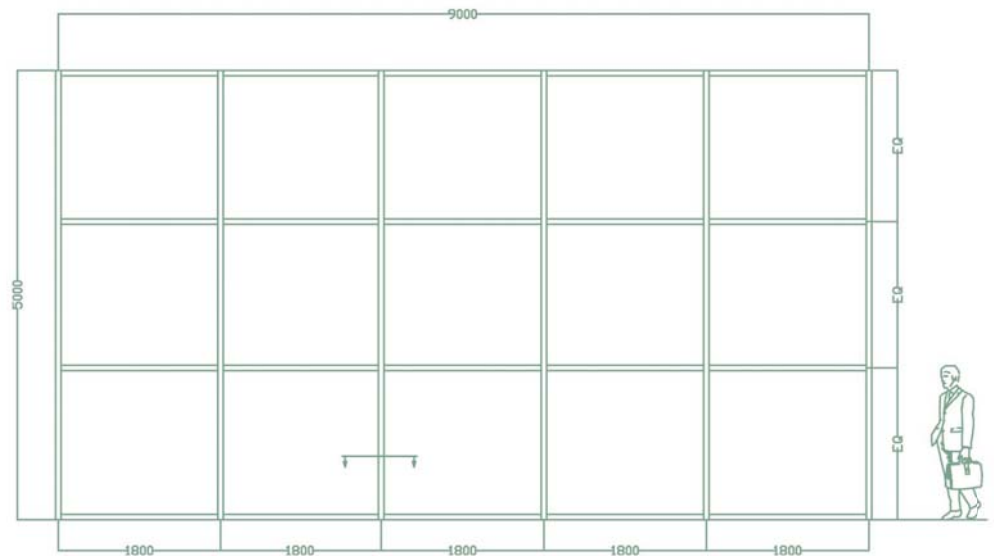
# Why use steel?

Steel is one of the most widely used; most established building materials known to man. The behaviour and limitations of steel, as a building material, is more recognised throughout the world than relatively new alloys, such as aluminium.

Although steel is known for its inherent strength, it is not common knowledge that new developments in steel processing and manufacture, allow us to not only produce these new products, but also to produce them to surprisingly high tolerances. These improvements in manufacture allow us to offer more choice in high performance fenestration systems, providing the architect & designer a free hand in designing a façade that is more elaborate, more unique, with larger free spans and to more demanding specifications such as 120 minutes fire resistance.

## Spans

As an example, this typical external curtain wall grid with a free span of 5 metres shows a direct comparison of what profile is required in a normal aluminium system, compared with the Smoke Control steel alternatives.



Aluminium System

SR System

T System

Davex System



On the following pages are a selection of the unique, high performance steel glazing systems only available from Smoke Control.

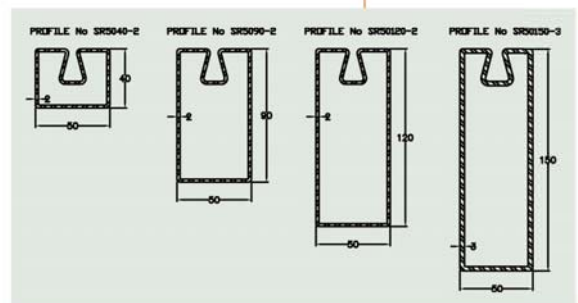
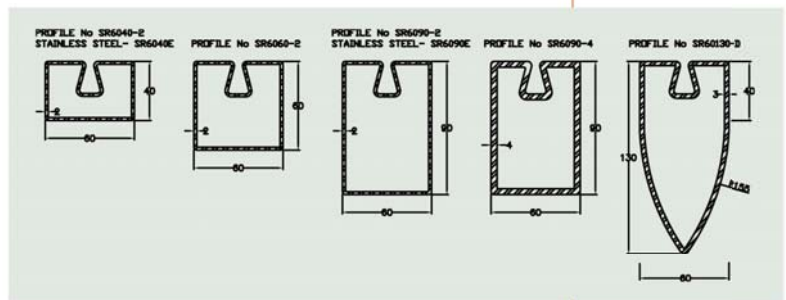
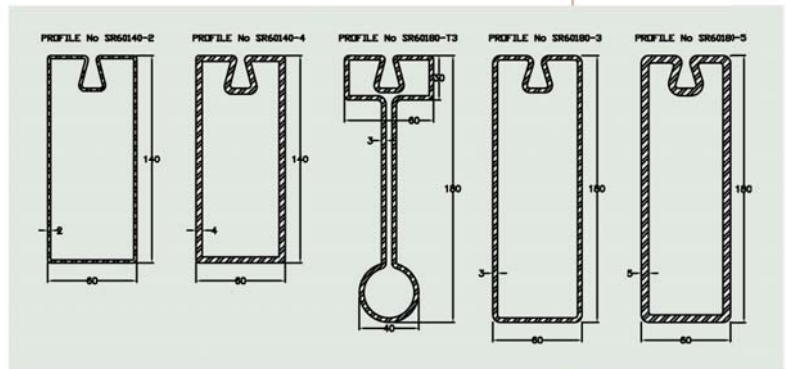
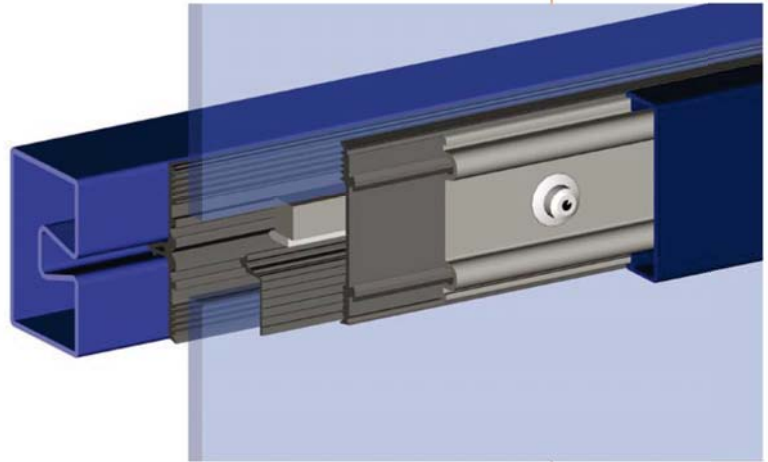
# SR Curtain Walling System

The SR series Curtain Wall & Roof Glazing system, is a unique alliance between the aesthetic qualities of normal aluminium systems, and the inherent strength and durability of steel, providing the architect and designer greater flexibility in glass dimensions and façade design.

The system is installed in stick format; is thermally broken, gasket glazed, self-draining and pressure equalised, with the ability to span large expanses without the need for a secondary support assembly.

The system consists of cold rolled hollow steel grid profiles available with 50mm or 60mm wide sight-lines, with differing wall thickness' and profile depths to suit almost any aesthetic or specification requirement. Profiles are made from pre-galvanised strip, which is galvanised on both sides to offer protection internally as well as externally. Sections are also available in 316-quality stainless steel, commonly used for corrosive, hygienic or decorative applications.

A large range of capping profiles are available in aluminium or 316-quality stainless steel, offering many different design options to finish the façade, or to match in with other non-steel curtain wall systems.



- BULLET •
- BLAST •
- LARGE SPAN •
- THERMAL •
- WEATHER •

# Fire Rated Moduline Curtain Walling System

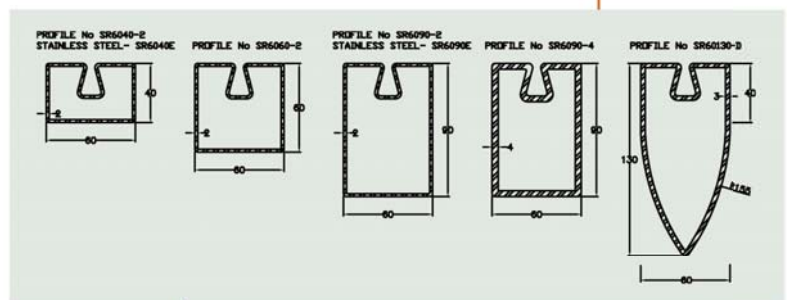
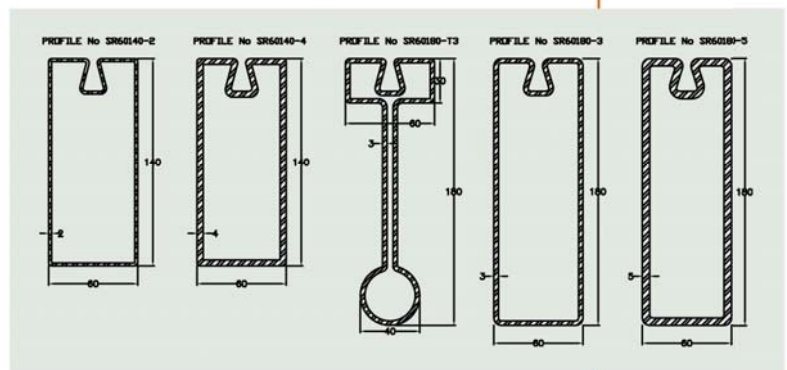
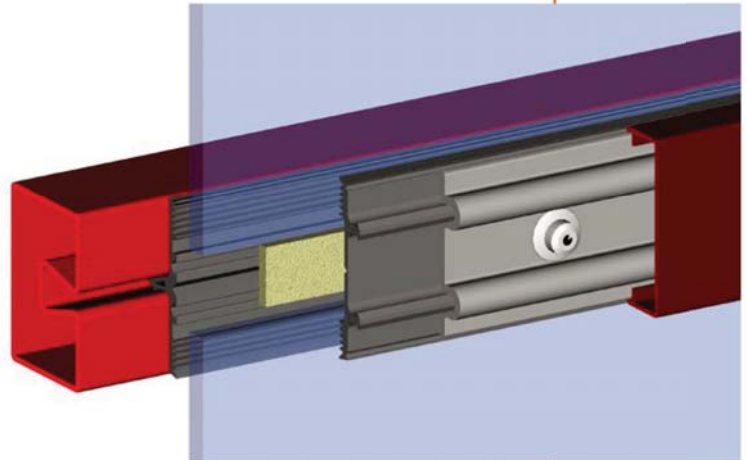
The Fire Rated Moduline Curtain Walling & Roof Glazing system, offers the same benefits as the standard SR system, but with the additional ability to achieve 120 minutes integrity, or 120 minutes integrity and insulation passive fire protection.

The Fire Rated Moduline system utilises the same cold rolled, pre-galvanised or stainless steel profiles from the 60mm wide SR system.

These profiles are used in conjunction with specially produced fire resistant gaskets and profiled stainless steel pressure plate, to ensure edge pressure is maintained throughout any fire exposure.

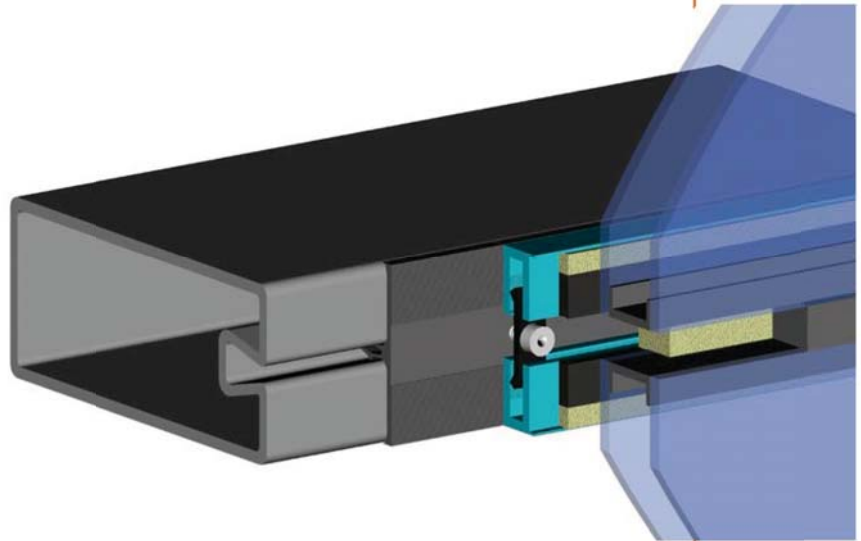
Because of the simple substitution of pressure plates and gaskets, any of the standard aluminium or stainless steel capping options can be used to finish the façade, or to match in with adjacent non-steel/non-fire rated systems.

Due to the unique system construction, any thickness and type of fire rated glass can be accommodated, and provides the ability to achieve different fire ratings without changing the system arrangement.

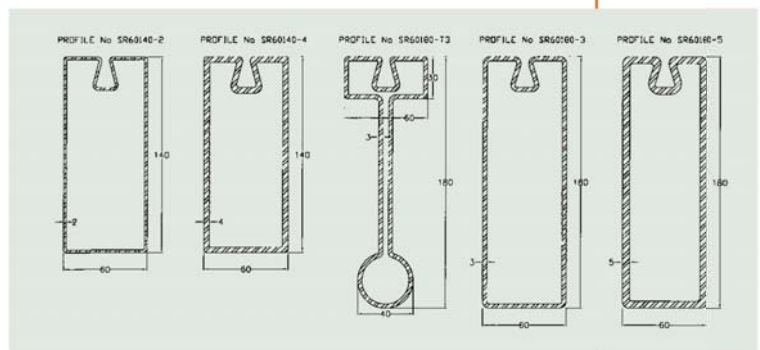


- FIRE
- BULLET
- BLAST
- LARGE SPAN
- THERMAL
- WEATHER
-

# SG Blast Resistant Curtain Wall System



The SG blast resistant curtain walling system offers a significant development in the design of blast mitigation glazing systems. Utilising grid profiles from the 60mm wide SR curtain walling range, the system is designed as a semi unitised, structurally glazed system.



The narrow 60mm sightlines, in combination with the structurally glazed exterior gives the appearance of any other non-specialised glazed assembly, enabling the designer to move away from the traditional wide profiles normally associated with blast resistant applications.



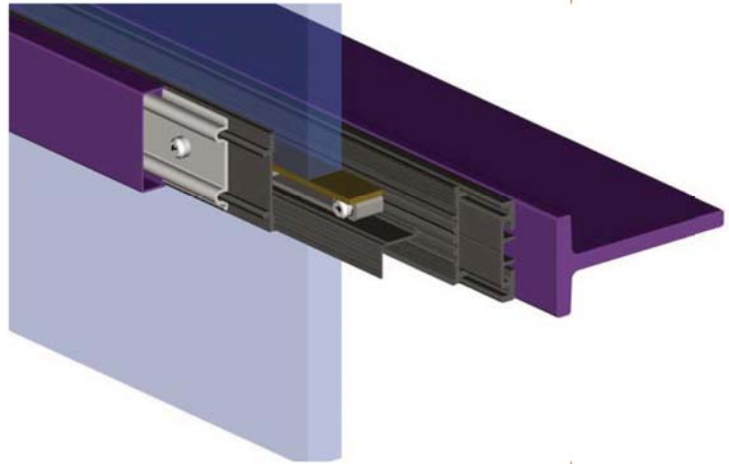
Fully accredited range test data according to ISO/DIS, ASTM and GSA standards is available to verify the performance of the system to hazard level none / low for a medium range lorry, and close range car bomb charges in multipanel, large span configurations.



- BULLET • BLAST • LARGE SPAN • THERMAL • WEATHER •

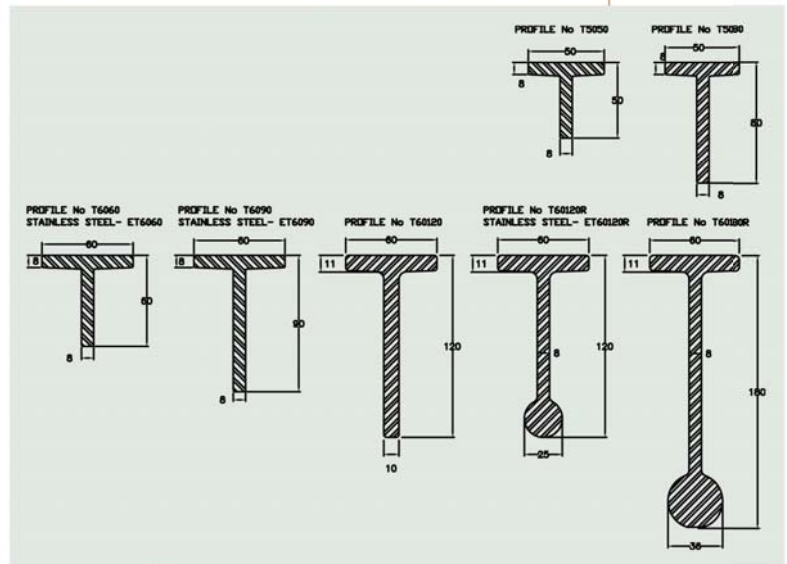
# T-Series Curtain Wall System

The T-series curtain wall system, like others in the Smoke Control steel curtain wall range is thermally broken, gasket glazed, self-draining and pressure equalised, with the ability to span large expanses unassisted. It can be erected in stick format, or site welded, dependant on the application.

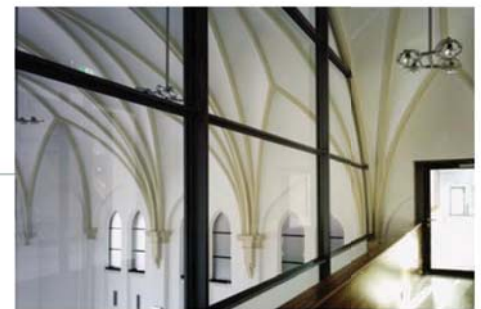


The main grid profiles are produced from a hot rolling process using high-quality ST37-2 grade steel. The system is available with 50mm or 60mm wide sight lines with differing web thickness' and depth dimensions to suit the application.

Benefiting from the solid form of the profile, extremely large expanses of glazing can be achieved due to the high static values of the steel.



The system can be glazed using a series of plastic or aluminium adapters such as the SC system, which should be selected to suit the individual application. This allows the use of the dry glazed gaskets, pressure plates and the standard range of capping profiles to meet most aesthetic requirements.



- BULLET • BLAST • LARGE SPAN • THERMAL • WEATHER •



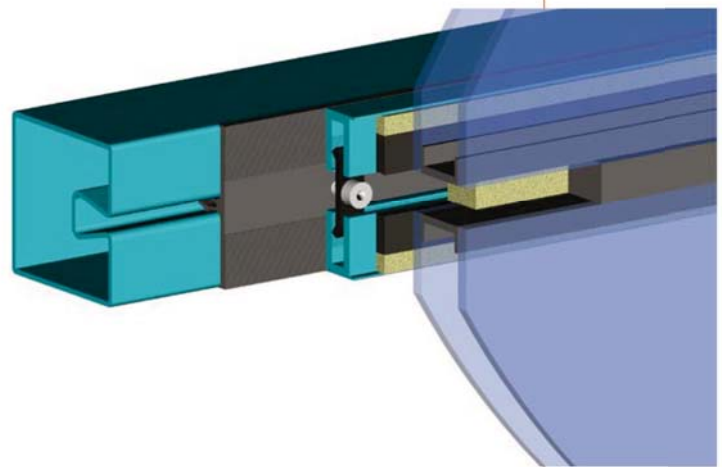
# SG Curtain Walling System

The SG system eliminates the need for external pressure plates and capping profiles - giving designers new aesthetic options.

The SG system is suitable for vertical, sloped or roof glazing applications and, for the first time, allows architects and designers to incorporate much larger or multi-faceted areas of structural glazing into their designs than previously.

The SG system is fast and simple to erect, and utilises a combination of the SR steel and stainless steel grid profiles, with glass panels structurally silicone bonded to aluminium retaining profiles. The profiles are secured to the grid by concealed stainless steel retaining clips then finished with backing rods and structural silicone between the glass.

This gives the appearance of a sleek, unobtrusive, four-sided structurally glazed glass wall with no visible method of mechanical retention and provides an effective weather barrier that maximises both aesthetics and practicality, whilst achieving large spans of glazing without the need for additional supportive steelwork.



- LARGE SPAN • THERMAL • WEATHER •

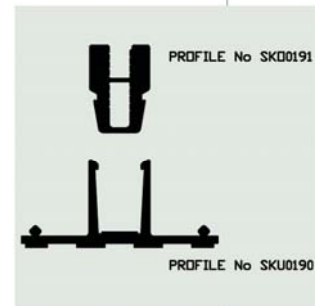
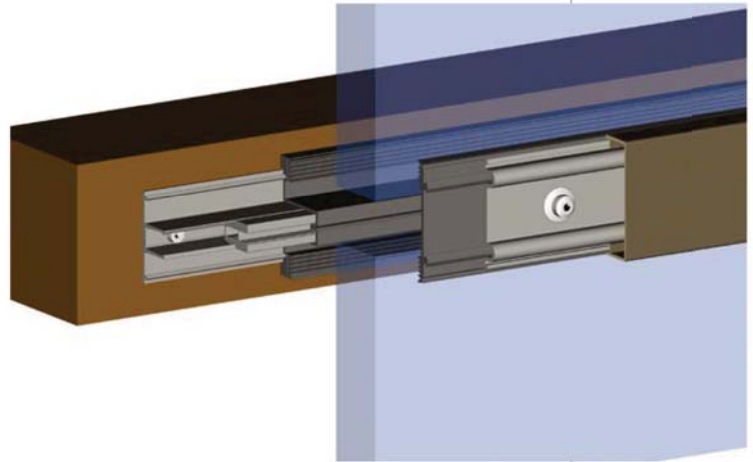
# SC Glazing Support System

The SC Series system allows direct glazing of almost any existing roof or support structure - including wood, aluminium, steel or stainless steel. The SC Series utilises a glazing adapter that allows flexibility across a range of support profiles - a significant and important advance in glass roofing technology.

The SC Series system offers a thermally broken, dry glazed, pressure-equalised assembly, using pressure plates and capping profiles from the SR series curtain walling system. It can provide excellent performance and protection against the elements, using new or existing support structures, or can be directly incorporated into building renovation projects - saving time and money.

Complex roof assemblies can be easily achieved using the SC Series system. Unlike patent glazing, the support assemblies need no special allowances for the installation of the system. This is achieved by having the glazing at a single constant level, with the drainage paths incorporated into the gasket arrangement.

The SC Series system can also be combined with the T-series or the new Davex curtain wall and roof glazing profiles, to produce a high performance large-span system with significant architectural and specification benefits.



- BULLET • BLAST • LARGE SPAN • THERMAL • WEATHER •

---

High Performance Steel & Glass Systems • Complete & Guaranteed

T 1300 665 471

W [www.smokecontrol.com.au](http://www.smokecontrol.com.au)

E [info@smokecontrol.com.au](mailto:info@smokecontrol.com.au)