

Glydestack Rail Stacking System



Glydestack Rail Stacking System



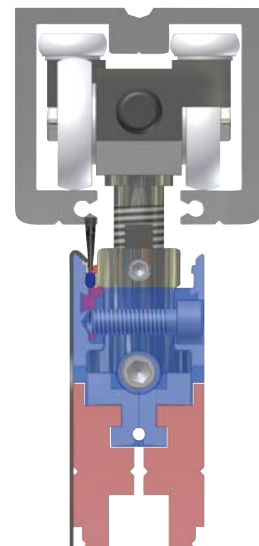
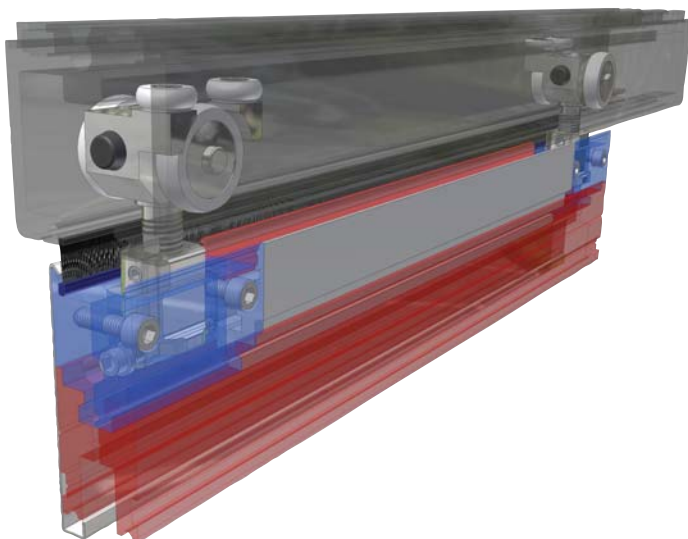
The successful combination of German engineering and local Fethers design brings together the best possible stacking solution made in Australia, for the Australian market.

As the name suggests Glydestack panels can be moved effortlessly from a secured entrance to neatly stored panels in only moments. Conveniently parked to the side of the entrance, Glydestack opens to offer complete unobscured access to your retail store front or residential alfresco area.

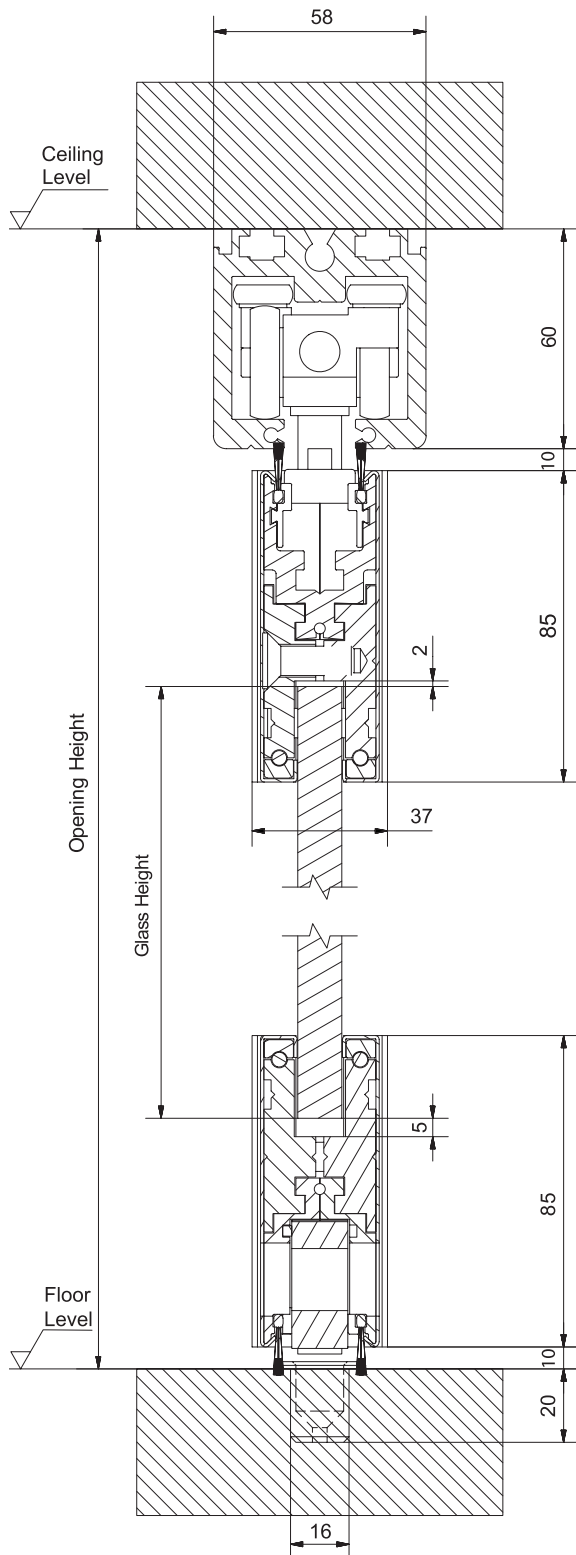
The slimline top hung system alleviates the hazard of protruding floor guides. Numerous configurations and customisation options from rail colour to pivot doors allow your project the maximum in design flexibility.

Technical Details

- Aluminium Base Rails with nominated cover types
- Natural Anodised Upper Track, Special finish available
- Finishes: Polished Stainless Steel, Satin Stainless Steel, Natural Anodised, Polished Brass or Special Finish.
- Suits glass thickness: 10 mm, 12 mm and 15 mm
- Maximum weight: 150 kg per panel
- Maximum width: 1000 mm
- Locking: Turn snib or Key Lock options
- Seals: Top and Bottom Seals included, Side Seals optional
- Parking Options: Left and Right hand parking, internal or external options.



Section Detail



Glass Height Calculation

Overall height of opening	=	<input type="text"/>
Less top track	-	<input type="text" value="60"/>
Less clearance top & bottom	-	<input type="text" value="20"/>
Less clearance inside top & bottom rail	-	<input type="text" value="126"/>
Equals Glass Height	=	<input type="text"/>

Glass Width Calculation

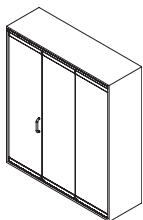
Overall width of opening	=	<input type="text"/>
Divided by number of panels /	=	<input type="text"/>
Equals individual leaf width	=	<input type="text"/>
Less clearance between doors (and/or seals)	-	<input type="text"/>
Equals Individual Door Width	=	<input type="text"/>

Glydestack Rail Stacking System

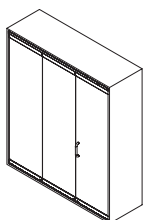
Quotation Request Order Form

FAX 03. 8562 0899

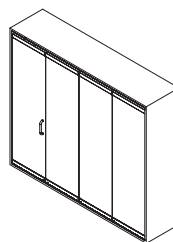
Please tick your selected configuration:



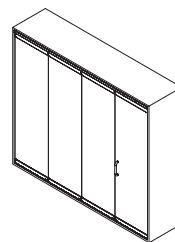
3 Panel LH



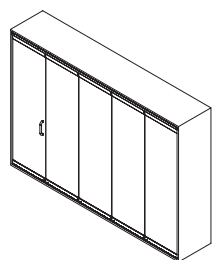
3 Panel RH



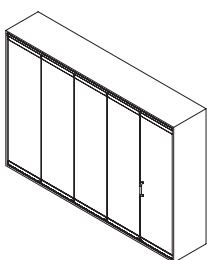
4 Panel LH



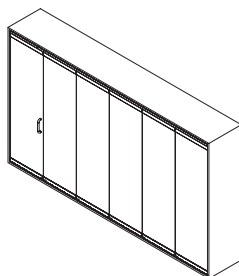
4 Panel RH



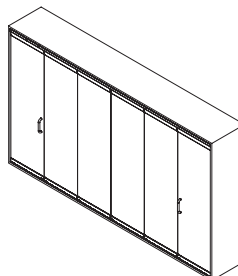
5 Panel LH



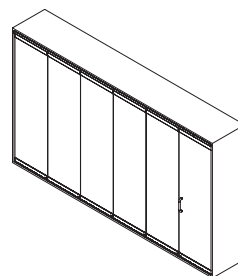
5 Panel RH



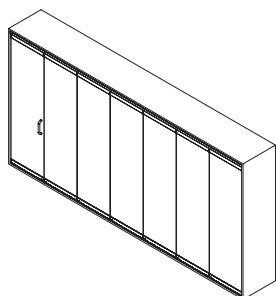
6 Panel LH



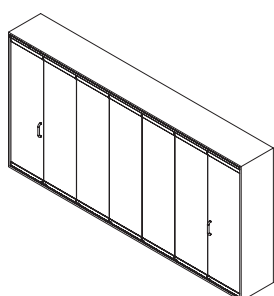
6 Panel DP LH



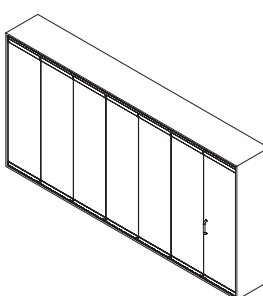
6 Panel RH



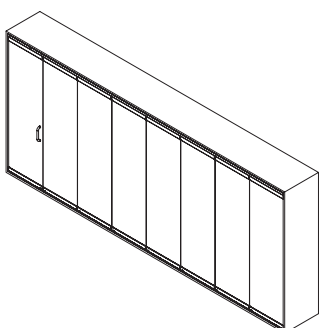
7 Panel LH



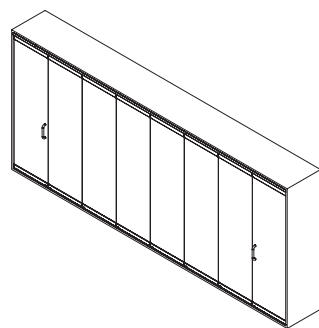
7 Panel DP LH



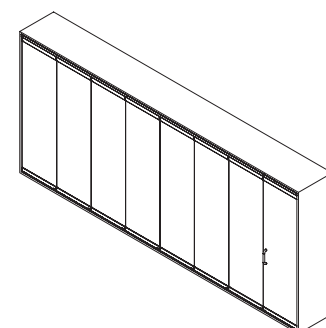
7 Panel RH



8 Panel LH



8 Panel DP LH



8 Panel RH

Please specify / confirm

Configuration of Parking Bay:

Stacking In Stacking Out

Glass Thickness:

10mm 12mm 15mm

Rail Finish:

Satin stainless steel Polished stainless steel Natural anodised
 Polished Brass Special Finish - please specify:

Handle not supplied

Customer. _____

Contact No. _____