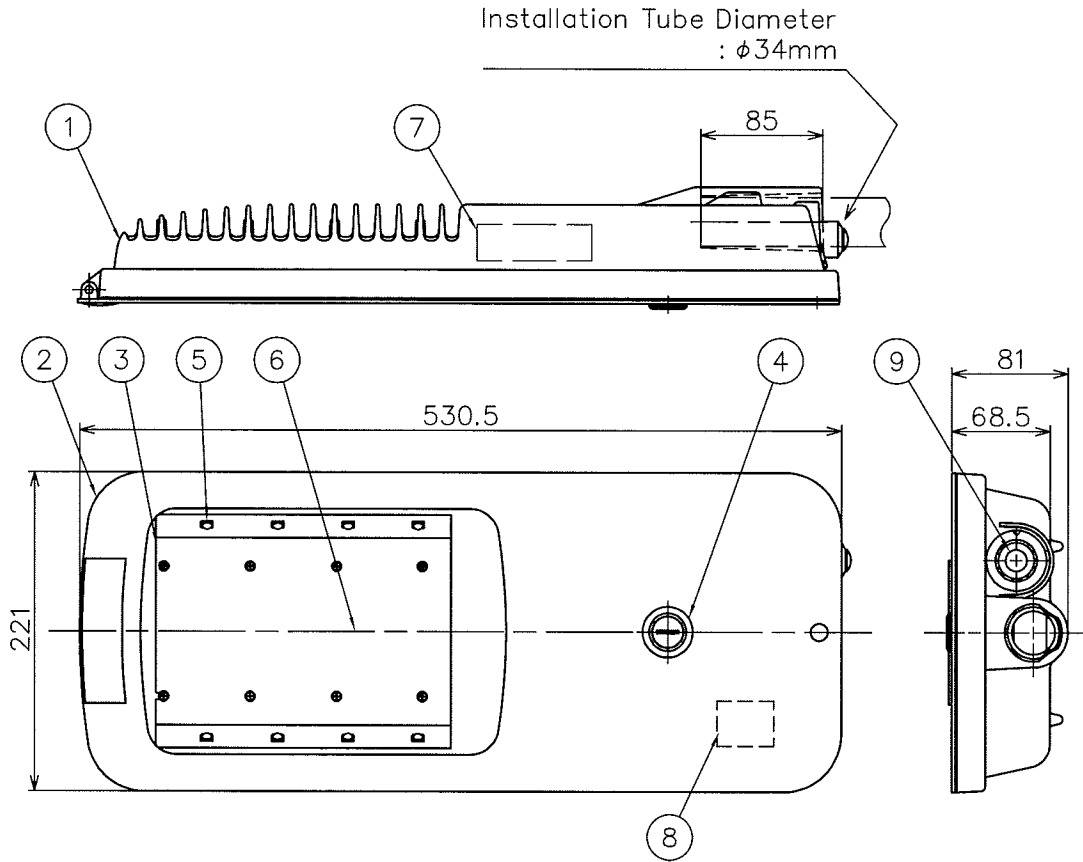


Mark	Corrected Career	Date	Sign	Check

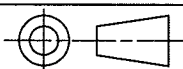


Specification

Lamp Type	4W LED×8
Input Voltage (V)	230
Frequency (Hz)	50/60
Input Current (A)	0.18
Input Power (W)	40
Input Capacitance (VA)	40
Rated Avg.Life (h)	40,000

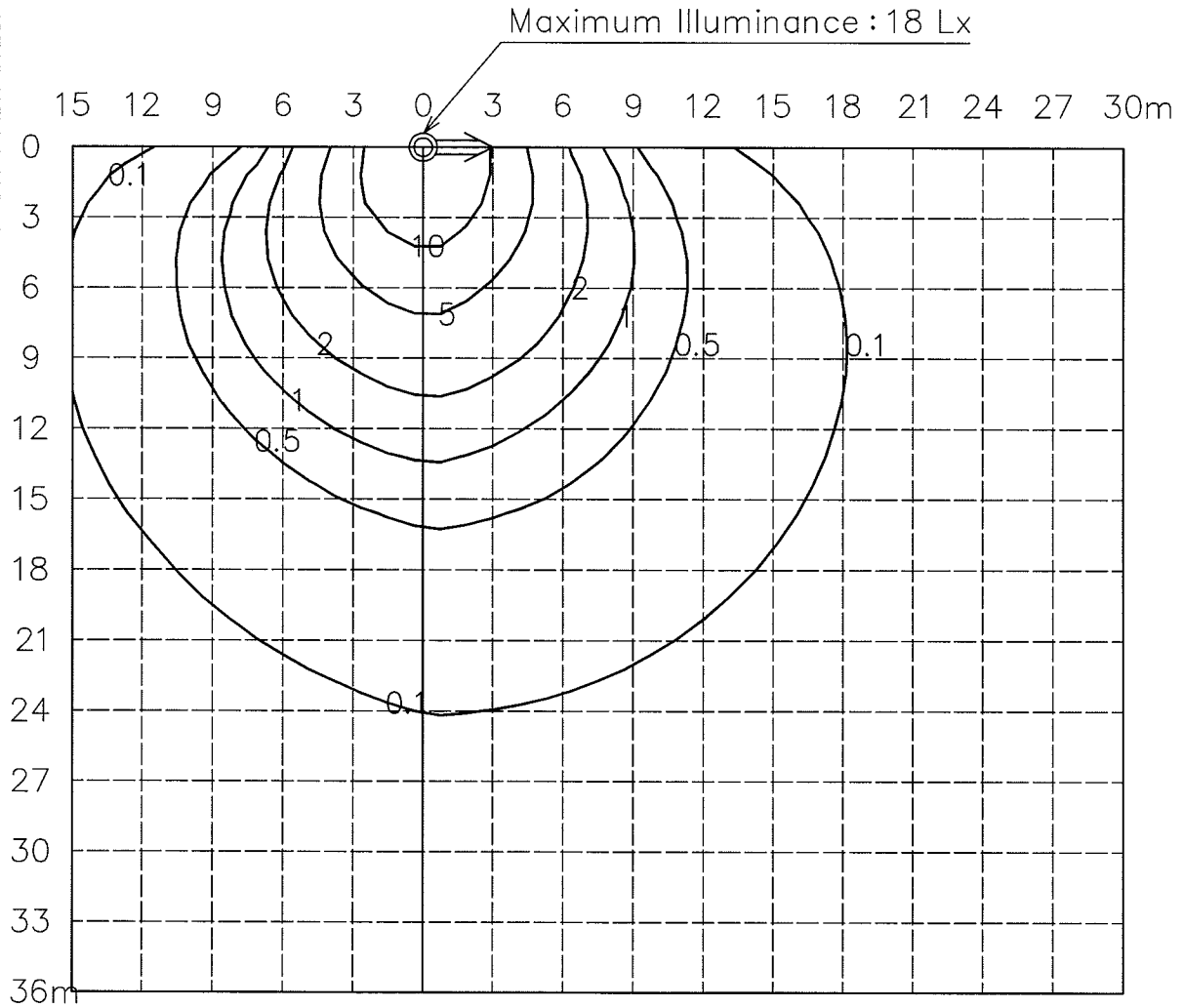
Standard color : Silver Metallic

9	Photoelectric control	1		SS-2402P
8	Terminal block	1		
7	Inverter	1		
6	Reflector	1		
5	White LED	8		4W
4	Slide lock	1	ZDC	
3	Cover	1	Tempered glass t5.0	
2	Cover frame	1	AC4A	
1	Main body	1	AC4A	
ITEM	DESCRIPTION	QTY	MATERIAL	NOTE

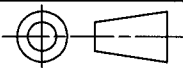
Design	2008/11/17 inatomi		LED type Street Luminaire	
Drafting			KLE-125S	
check	2008/11/17 yuzawa	Unit : mm	230V LED4W×8	
Approval	2008/11/17 yuzawa		Drawing number R4E004405A	
KAGA, INC.		Scale 1:5	Size A4(E)	Stock:

Isoilluminance Curve

Luminaire Type	KLE-125S	NOTE	
Lamp Type	LED4W×8		
Lumens per Lamp	-		lm
Mounting Height	5.0		m
Lantern Tilt Angle	5		°
Maintenance Factor	1.0		

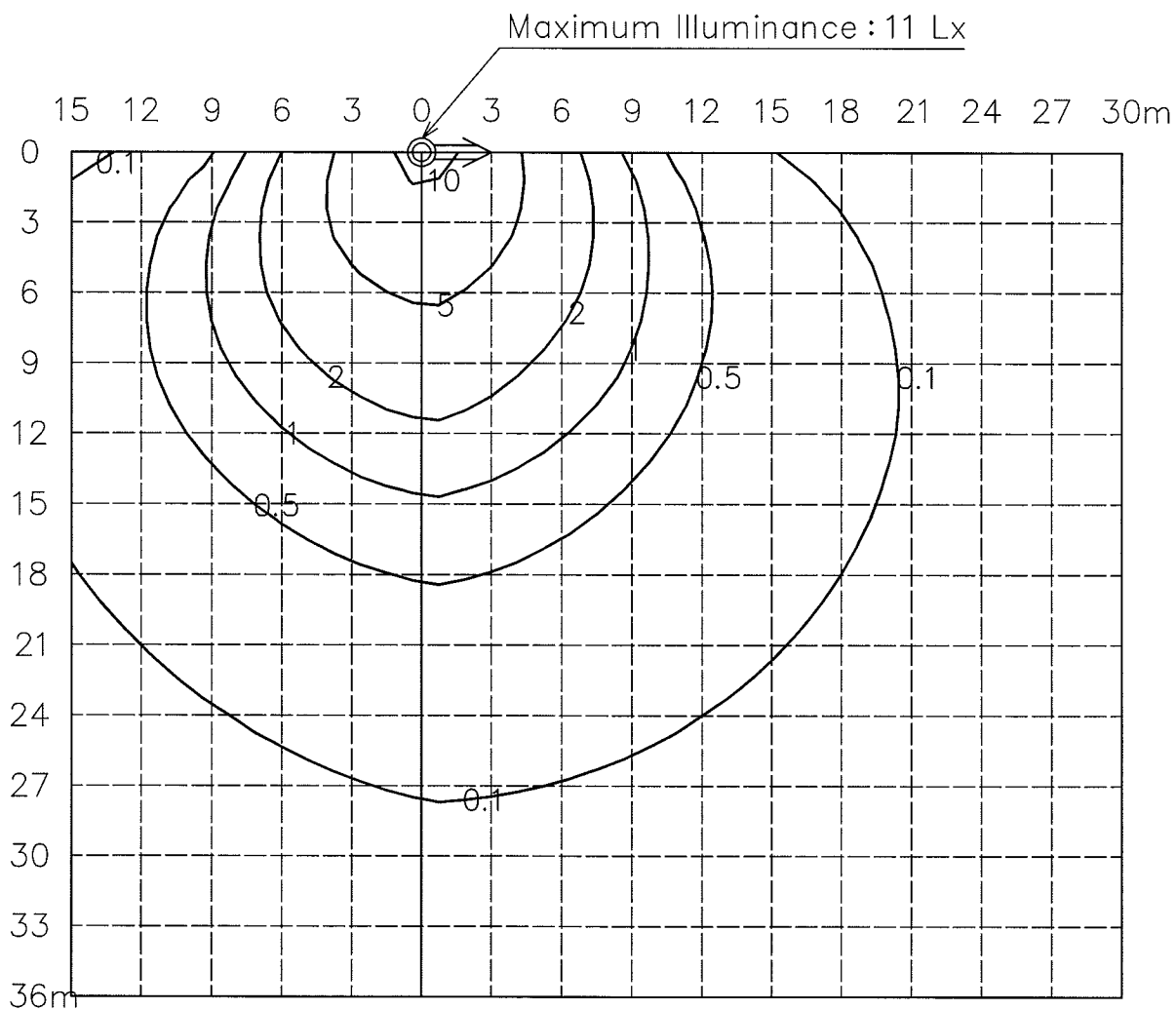


Unit : Lx

Design	2008/11/17 inatomi		Isoilluminance Curve	
Drafting			KLE-125S	
check	2008/11/17 yuzawa		H=5m	
Approval	2008/11/17 yuzawa		Unit : mm	Drawing number
KAGA, INC.			Scale 1:300	Size A4(SE)
			Stock:	

Isoilluminance Curve

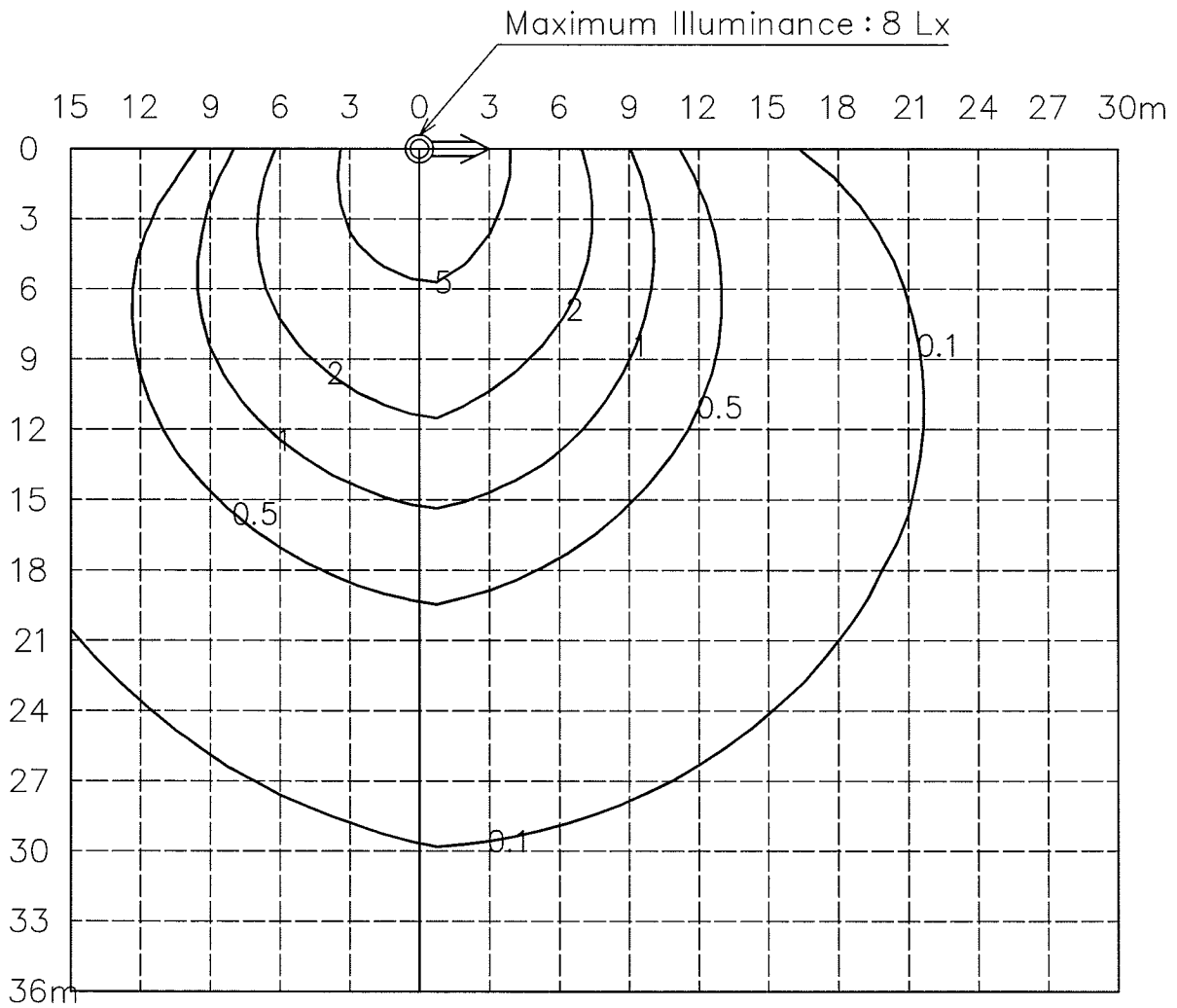
Luminaire Type	KLE-125S	NOTE	
Lamp Type	LED4W×8		
Lumens per Lamp	-		lm
Mounting Height	6.5		m
Lantern Tilt Angle	5		°
Maintenance Factor	1.0		



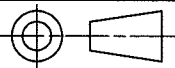
Design	2008/11/17 inatomi		Isoilluminance Curve	
Drafting			KLE-125S	
check	2008/11/17 yuzawa		H=6.5m	
Approval	2008/11/17 yuzawa		Drawing number	
KAGA, INC.			R4E004136B	
		Scale 1:300	Size A4(SE)	Stock:

Isoilluminance Curve

Luminaire Type	KLE-125S	NOTE	
Lamp Type	LED4W×8		
Lumens per Lamp	-		lm
Mounting Height	7.5		m
Lantern Tilt Angle	5		°
Maintenance Factor	1.0		



Unit : Lx

Design	2008/11/17 inatomi		Isoilluminance Curve KLE-125S H=7.5m
Drafting			
check	2008/11/17 yuzawa	 Unit : mm	Drawing number
Approval	2008/11/17 yuzawa		R4E004137B
KAGA, INC.			Scale 1:300
			Size A4(SE)
			Stock:

