



AUSTVISION

# Austvision Frameless Glass Point Supporting Insulated Glass System **ADVANCED TECHNOLOGY**



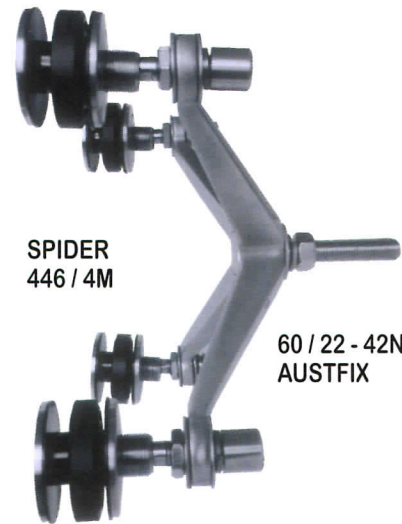
In recent years much emphasis has been placed on energy conservation, people comfort, low maintenance and energy efficient, high performance glazing products.

Historically insulating glass, or double glazing, has been proven to have a high degree of energy efficiency compared to the single pane glass window unit.

Insulating glass units (IGU) provide many advantages over the single glazed unit. Improving the degree of comfort in winter and summer as well as providing sound insulation from outside noise and U.V. protection - all this while saving on fuel bills.

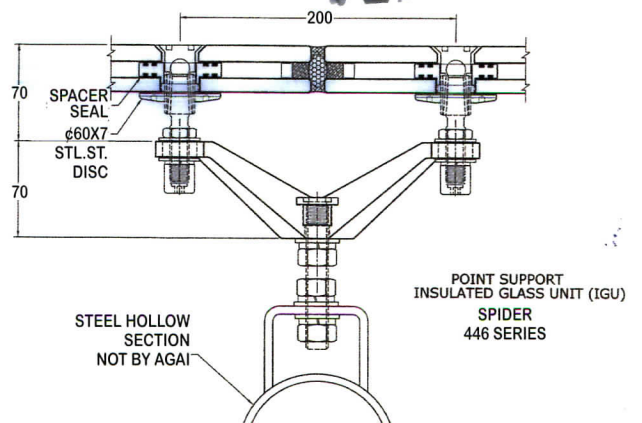
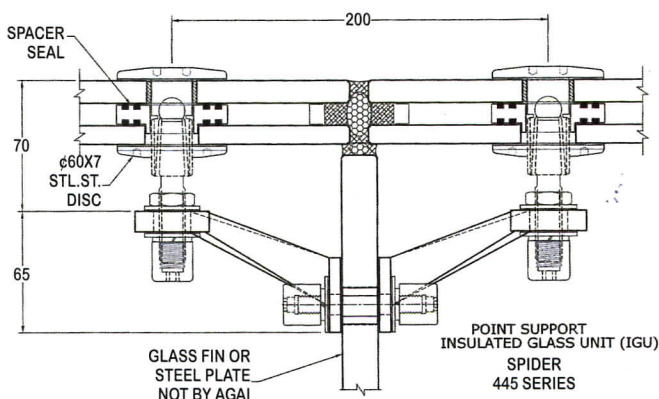
The advent of structural glass glazing has been driven by architects and designers. Frameless glass point supported glass facades for buildings was developed in the 1980's and subsequently the point supported insulating glass unit for frameless glass systems was born.

Australian Glass Assemblies have developed and tested a point supported Insulated Glass Unit which has been suitably integrated into a suspended glass system (Glass Fin and Tension Truss) and a mullion system used as the supporting structure where the gaps between the glass panels are sealed by silicon.



SPIDER 446 / 4M

60 / 22 - 42N AUSTFIX



POINT SUPPORT INSULATED GLASS UNIT (IGU) SPIDER 446 SERIES

STEEL HOLLOW SECTION NOT BY AGAI





AUSTVISION

# Austvision Frameless Glass Point Supporting Insulated Glass System

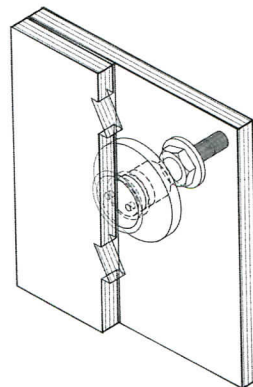
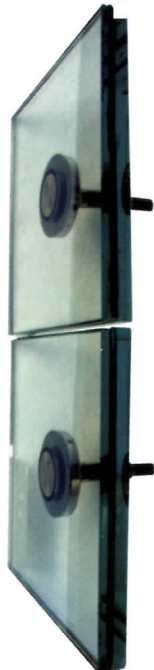
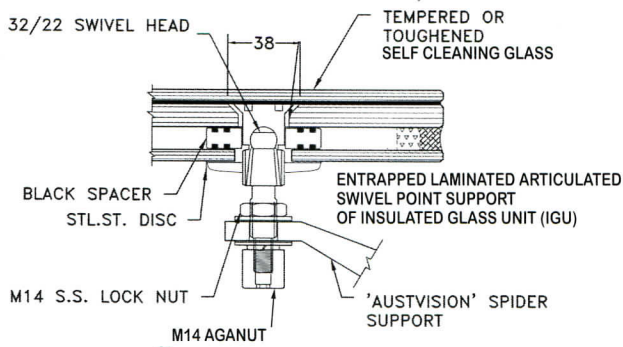
ADVANCED TECHNOLOGY



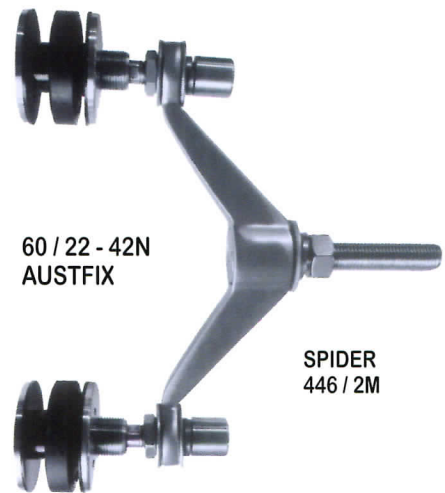
Australian Glass Assemblies, in co-operation with a glass processing company has developed and produced an En-Trap (ET) laminated glass panel – laminate, leaving one piece of glass free from holes, as a result the ET laminated point supported glass panel is created.

The ET laminated glass panel is made into Insulated Glass Units (IGU) or Double Glazed Units (DGU). Is ideal for overhead glazing would eliminate the problem of water leakage and streak markings around the holes.

The ET laminated point supported glass panel as a product offers the designer and owner many advantages and benefits and can be enhanced when laminated with self-cleaning glass thereby saving on cleaning and maintenance services.



EN - TRAP (ET) POINT SUPPORTED LAMINATED TEMPERED GLASS



60 / 22 - 42N AUSTFIX

SPIDER 446 / 2M



**AUSTRALIAN GLASS ASSEMBLIES PTY. LTD.**  
7 Gilby Road, Mt Waverley 3149, Victoria, Australia.  
Ph: + 61 3 9544 4377 Fax: + 61 3 9543 8036  
Email: agapl@bigpond.com Website: www.agapl.com.au