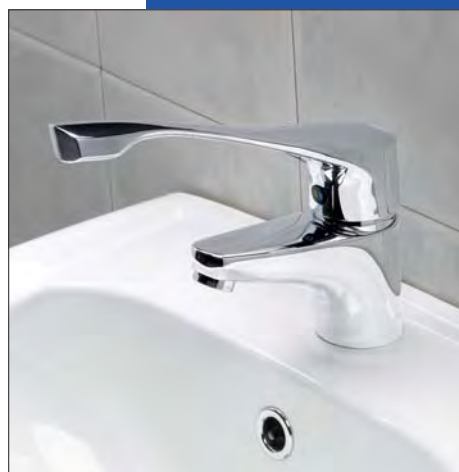


STYLISH AND DURABLE SINGLE LEVER MIXERS



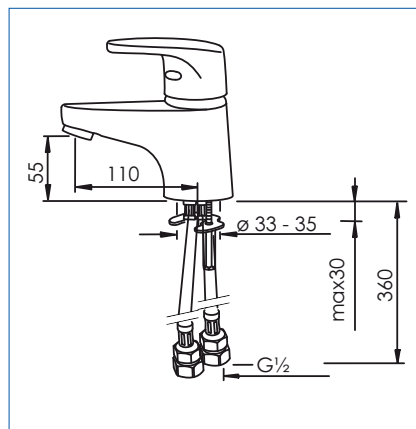
Vega Single Lever Mixers

ENWARE-ORAS PRESENTS THE ROBUST VEGA RANGE OF MIXERS

The smooth seamless style, synonymous with Scandinavian design makes this mixer range a must for your next commercial kitchen or bathroom installation.

Proven cartridge design provides easy control with a metal spindle and handle connection. Dual fixing points help minimise the risk of rotation also enhancing durability. Renown for its strength and unique design, the Vega mixers are fully serviceable, with a range of spare parts for an even longer life.

The Vega handles include easy to see colour indicators, supplied in both Blue/Red and Blue/Yellow for applications requiring "Warm" water identification.

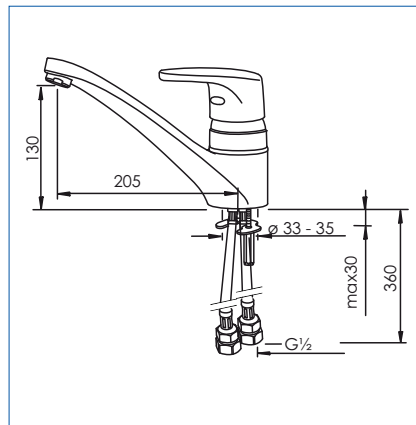


VEGA SINGLE LEVER MIXER - BASIN MIXER

- Supplied with Red, Yellow & Blue Indicators
- Dual fixing points
- Flexible hose with reverse thread into mixer body
- Bright Chrome standard finish

Order Code: **SLM606**

WELS 3 Star 8 lpm water efficiency rating supplied as standard

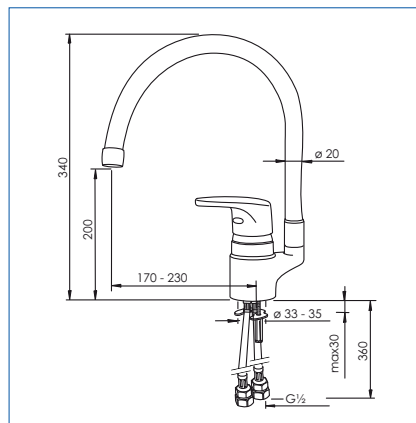


VEGA SINGLE LEVER MIXER - SINK MIXER

- Swivel spout - can be restricted to suit corner or centred placement on a sink
- Supplied with Red, Yellow & Blue Indicators
- Dual fixing points
- Flexible hose with reverse thread into mixer body
- Includes support bracket for fixing to thin material such as stainless steel bench tops
- Bright Chrome standard finish

Order Code: **SLM607**

WELS 3 Star 8 lpm water efficiency rating supplied as standard

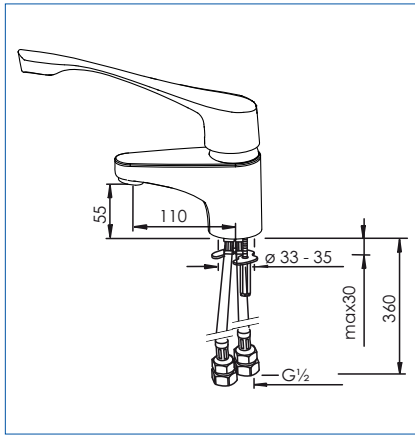


VEGA SINGLE LEVER MIXER - SINK MIXER with GOOSE NECK SPOUT

- Handle can be positioned to the left or right side of the spout if desired
- Swivel spout - can be restricted to suit corner or centred placement on a sink
- Includes support bracket for fixing to thin material such as stainless steel bench tops
- Flexible hose with reverse thread into mixer body
- Supplied with Red, Yellow & Blue Indicators
- Bright Chrome standard finish
- Dual fixing points

Order Code: **SLM609**

WELS 3 Star 8 lpm water efficiency rating supplied as standard

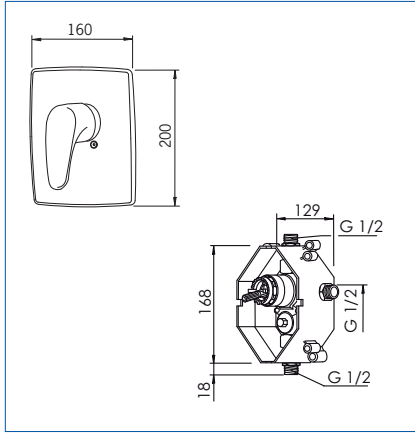


VEGA SINGLE LEVER MIXER - BASIN MIXER with EXTENDED HANDLE

- Ergonomically & anthropometrically designed handle
- Suits accessible toilet applications - specifically designed for AS1428 compliance
- Supplied with Red, Yellow & Blue Indicators
- Dual Fixing points
- Flexible hose with reverse thread into mixer body
- Includes support bracket for fixing to thin material such as stainless steel bench tops
- Bright Chrome standard finish

Order Code: **SLM606D**

WELS 3 Star 8 lpm water efficiency rating supplied as standard

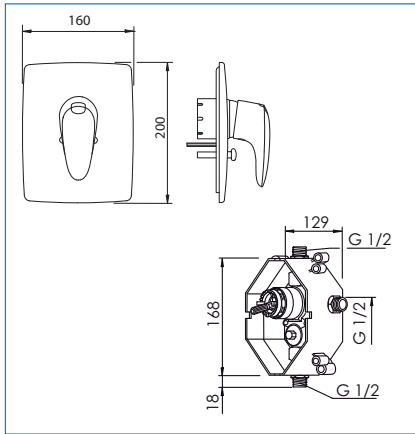


VEGA SINGLE LEVER MIXER - SHOWER MIXER

- Supplied with Red, Yellow & Blue Indicators
- Bright Chrome standard finish

Order Code: **SLM608**

Choose from Enware's range of WELS approved shower heads



VEGA SINGLE LEVER MIXER - SHOWER MIXER with DIVERTER

- Supplied with Red, Yellow & Blue Indicators
- Bright Chrome standard finish

Order Code: **SLM610**

Choose from Enware's range of WELS approved shower heads

TECHNICAL INFORMATION

Inlet Connection	15 mm (1/2") BSP
Working Pressure Range	50 - 1000kPa
Maximum Pressure at Outlet AS3500*	500 kPa max
Flow Rate	8 lpm (WELS 3 Star)
Maximum Working Temperature^	80°C

* Installations not complying with AS3500 may affect warranty provisions.

^ Heated Water Supply AS/NZS 3500.4. For all sanitary fixtures used primarily for personal hygiene purposes are to deliver heated water not exceeding:

- a) 45°C for early childhood centres, primary and secondary schools, nursing homes or similar facilities for young, aged, care, sick or people with disabilities (43.5°C - NSW Code of Plumbing Practice).
- b) 50°C in all other buildings.



Enware-Oras Tapware is supplied with WELS 3 Star (8 lpm) water efficiency rating as standard.

ENWARE SHOWERS & OUTLETS



Deluxe Shower Rose
Order Code: SP262



All Directional Shower
Order Code: SP263



Sliding Hand Held Shower with 900mm Grab Rail
Order Code: SGR023



Fixed Bath Spout
Order Code: SPC201

For a complete range of showers and outlets contact your Enware Representative or visit www.enware.com.au

MORE PRODUCTS FROM ENWARE'S RANGE



LEVA TAPWARE

Strong and stylish Leva tapware delivers easy operation and control. A wide range of configurations available with two lever lengths: 80mm - for easier control with palm or wrist use, particularly for the elderly or 150mm - for elbow operation to help reduce the risk of cross-contamination.



ENMATIC SENSOR ACTIVATED TAPWARE

Stylish & modern tapware that provides water efficiency and improved hygiene. Designed for upmarket applications and suitable for both commercial and public applications.



AQUALEND THERMOSTATIC MIXING VALVES (TMVs)

Aqualend's thermal shut-off capabilities deliver safe mixed warm water with proven scald protection. Excellent control under varying conditions and the added benefit of easier maintenance and a lower 'whole of life' cost.



TOUCH ACTIVATED TIME FLOW TAPWARE

Superior time flow technology delivers improved hygiene and excellent water efficiency available in various configurations and flow times to suit individual applications.

CARE PRODUCTS FOR THE BATHROOM

The entire Caredesign range offers practical solutions developed for both people with disabilities and their carers in mind, incorporating unique features that encourage an individual's independence.

If you're involved with provision of toilet and bathroom facilities for people who are elderly or have a disability, Caredesign's comprehensive range can be viewed at www.caredesign.com.au



ENWARE
AUSTRALIA PTY LIMITED



Quality Endorsed Company

ISO 9001 Lic 1213
SAI Global

For more information call **1300 369 273**

A.C.N. 003 988 314

9-11 Endeavour Road Caringbah NSW 2229 Australia • PO Box 2545 Taren Point NSW 2229

Ph: 61-2-9525 9511 Fax: 61-2-9525 9536