



# PACIFIC INTERNATIONAL *Ceiling Fans*

engineered by experts

[www.pacificinternationalfans.com.au](http://www.pacificinternationalfans.com.au)



WHITE WITH  
WHITE BLADES



BRUSHED CHROME  
WITH SILVER  
BLADES



ANTIQUE BRASS  
WITH WALNUT  
BLADES



# EM-E<sup>TM</sup>

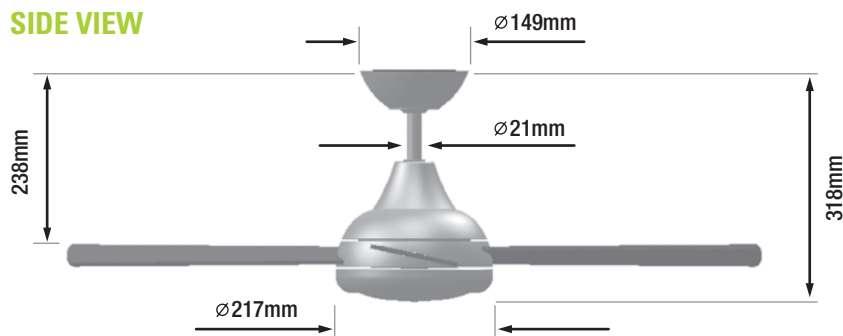
CEILING FAN

SEE OVER FOR A COMPREHENSIVE  
LIST OF FEATURES AND  
ACCESSORY LIGHT FITTINGS

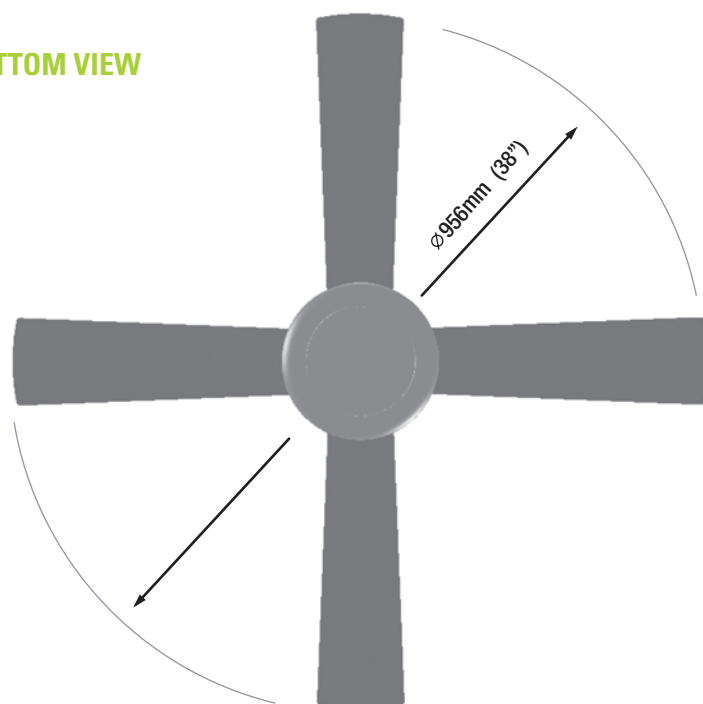
# EM-E CEILING FAN

## FEATURES AND DIMENSIONS

### SIDE VIEW



### BOTTOM VIEW

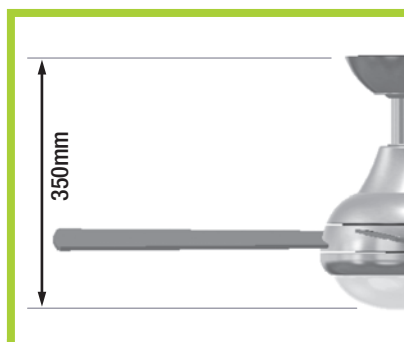


### ACCESSORY LIGHT KIT

The EM-E light kit has been designed to complement the lines of the fan and includes a highly efficient 14W GX53M light assembly (including tube).



**EM-E LIGHT KIT**



**HEIGHT OF FAN + LIGHT**

## Product Features:

- Pressed Metal Body and Canopy

Reversible Air Flow for Summer/Winter Option

Remote Control Adaptable (accessory)

Light Adaptable

Suitable for Raked Ceilings up to 32°

Recommended for Indoor Use only
- 3 Speed Switch Designed to fit most Australian Wall Plates

Eco-Friendly Fan - High Efficiency Motor

2 Year 'In-Home' Warranty + additional 3 Year Motor Parts Warranty

Timber Blades (not MDF)

Suitable for use with Building Automation Systems (BMS)\*  
\* ONLY SUITABLE IF USED WITH SPECIFIED CONTROL RELAY UNITS

Fan & Light must be Installed and Serviced by Qualified Persons

**DESIGNED & ENGINEERED IN AUSTRALIA**  
**DESIGNED & ENGINEERED BY PACIFIC INTERNATIONAL FANS IN SYDNEY, AUSTRALIA**

# EM-E

## CEILING FAN

DISTRIBUTED BY: