

features & benefits



- The Xtreme® Flame Zone fully integrated system is a compact design that overcomes spatial and aesthetic restrictions other fire systems prescribe
- It is a cost efficient solution
- Provides full Flame Zone protection requiring FZ rating
- Fully compliant to AS3959-2009 and AS1530.8.2-(2007)
- The system can easily be activated externally by fire fighting authorities
- Excellent radiant heat shielding properties
- Utilises standard toughened glass
- Unobtrusive design
- Easily maintained
- Light weight
- Energy efficient options are available
- Xtreme® Flame Zone system is available in a wide range of window and door sizes, styles, colours and combinations
- Windows are available in sliding, casement, awning and fixed
- Doors are available in sliding, sliding stacker, hinged and bifold
- Maximum width of Xtreme® Flame Zone window system is 2400mm with height at 2400mm
- Maximum height of Xtreme® Flame Zone door system is 2400mm with width at 2400mm
- Maximum glass area is 2400mm²
- Available in powdercoated, woodgrain imaged or galvanised finish
- Stainless steel screens are fitted to all opening sashes as per AS3959-2009



contact



SYDNEY

Head Office
44-52 Mandoon Road,
Girraween, NSW 2145
Tel: (02) 9840 2000
Fax: (02) 9840 2100

3/384 Eastern Valley Way,
Chatswood, NSW 2067
Tel: (02) 9882 1155
Fax: (02) 9882 1566

61-63 O'Riordan Street,
Alexandria, NSW 2015
Tel: (02) 8339 0054
Fax: (02) 8339 0186

WOLLONGONG

Tel: (02) 4256 1966
Fax: (02) 4256 3863

NOWRA

Unit 1A, 175 Princes Highway,
South Nowra, NSW 2541
Tel: (02) 4423 1500
Fax: (02) 4423 5100

NEWCASTLE

56-60 Munibung Road,
Cardiff, NSW 2285
Tel: (02) 4956 7133
Fax: (02) 4956 9146

OURIMBAH

5 Catamaran Road,
Ourimbah, NSW 2258
Tel: (02) 4389 1402
Fax: (02) 4389 8460

PORT MACQUARIE

2/11 Blackbutt Road,
Port Macquarie, NSW 2444
Tel: (02) 6581 5100
Fax: (02) 6581 4056

TAMWORTH

7-11 Hume Street,
Tamworth, NSW 2340
Tel: (02) 6765 4066
Fax: (02) 6765 2584

DUBBO

1/55 Douglas Mawson Drive,
Dubbo, NSW 2830
Tel: (02) 6884 4055
Fax: (02) 6884 4057

ACT

74 Sheppard Street,
Hume, ACT 2620
Tel: (02) 6260 1266
Fax: (02) 6260 1381

SUNSHINE COAST

27-43 Skyreach Street,
Caboolture, QLD 4510
Tel: (07) 5428 9200
Fax: (07) 5428 9222

BRISBANE/ GOLD COAST

134 Lahrs Road,
Ormeau, QLD 4208
Tel: (07) 5549 4100
Fax: (07) 5549 4111

ADELAIDE

15-17 Indama Street,
Regency Park, SA 5010
Tel: (08) 8347 0866
Fax: (08) 8347 0522

MELBOURNE

92 Canterbury Road,
Bayswater North, VIC 3153
Tel: (03) 9751 7000
Fax: (03) 9751 7010

BALLARAT

36 Oliphant Way,
Seafood, VIC 3198
Tel: (03) 9770 8888
Fax: (03) 9775 1811

TASMANIA

72-74 Main Road,
Ballarat, VIC 3350
Tel: (03) 5338 7837
Fax: (03) 5331 3335

INDONESIA/BALI

GP Glass
14 Kelcey Tier Road,
Spreyton, TAS 7310
Tel: (03) 6427 3166
Fax: (03) 6427 3161

Jl. Bypass Ngurah Rai No47B
Kuta, Bali, Indonesia 80361
Tel: +62 361 762222
Fax: +62 361 766513
Mob: 081 2112 1635

PRODUCTS NOT AVAILABLE IN WA

13 72 74

Trend® National Customer Assistance Centre
(between 8:30am - 4:30pm EST, M-F)

www.trendwindows.com.au
email: info@trendwindows.com.au

**flame zone
bushfire
protection**

**BAL-40
BAL-FZ**



bushfire protection



product range



xtreme® FZ system



australia's **FIRST** fully rated **FLAME ZONE** bushfire window, door & shutter system

Australia's urban population is increasingly being pushed closer to bushfire prone areas. The awareness and understanding of building loss through bushfire, has become a dominant and high priority with authorities and researchers. This is especially evident after the catastrophic events in 2003 in ACT and 2009 in Victoria.



The result of this has been the release of the new Bushfire Construction Standard AS3959-2009, which sets down minimum standards for building in bushfire prone areas. This standard is now mandatory in Victoria, ACT, Queensland and other states to follow during 2010.

Xtreme® Windows & Doors products from Trend®, were the first tested by the CSIRO under the previous standard in 2005, at extreme temperatures of 40kW/m². Since then, the range has progressed to become the market leader in bushfire window and door protection.

Continuing this development, in 2009, the Xtreme® range of bushfire windows and doors were tested to the new Bushfire Construction Standards AS1530.8.1-(2007), Section 8: BAL-40, in AS3959-2009.

In May 2010, Xtreme® was tested to AS1530.8.2 (2007), Section 9: BAL-FZ, in AS3959-2009. This standard, applies to products that can meet the absolute extreme bushfire conditions such as direct exposure to flames, heat flux and ember attack.

Xtreme® Windows & Doors are now the first products tested and assessed at the CSIRO Laboratories testing facility. Located at North Ryde in Sydney, the CSIRO facility has been set up specifically to test building products to the new bushfire standard.

The Xtreme® range passed the standard test to BAL-40 (Bushfire Attack Level 40) without the need for screens to be fitted to the fixed sashes (a prescriptive requirement of the new standard). A result of this is significant cost savings for the homeowner in comparison to the prescribed provisions of the new Bushfire Construction Standard.

Trend® has combined the technologically advanced Xtreme® BAL-40 window and door system, with Smoke Control's Windowshield Fire Curtain tested by CSIRO to AS1530.4. This arrangement including Trend's PyroProtect seals and glazing systems has created the fully integrated Xtreme® Flame Zone Bushfire System.

This latest development is a result of Trend®'s ongoing extensive research, development and testing with the CSIRO over the past 5 years. All of which have been conducted aiming to develop cost affordable window and door systems with the aptitude to withstand the absolute extremes of bushfire attack.

Smoke Control is a market leader in their industry sector for fire and smoke control within buildings. Their broad experience with fire protection and fire engineering has brought them together with Trend® Windows & Doors to form this unique and world first innovation.

xtreme® windows

Available in sliding, casement, awning and fixed.

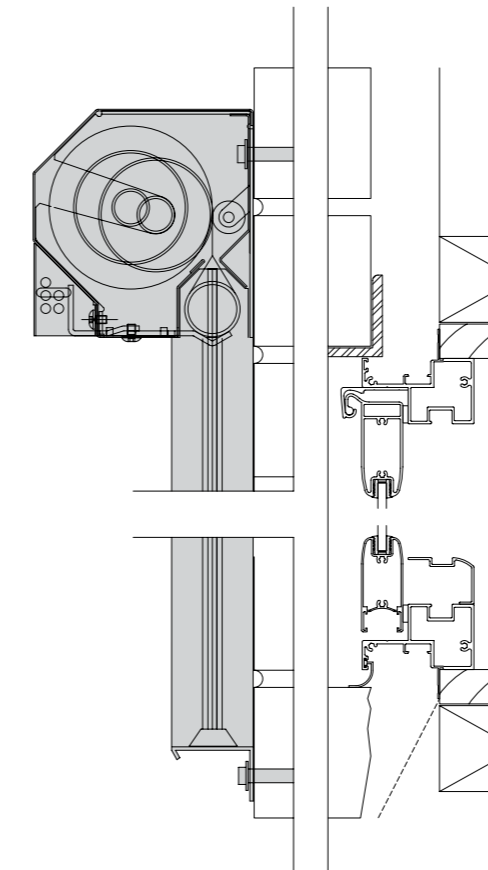
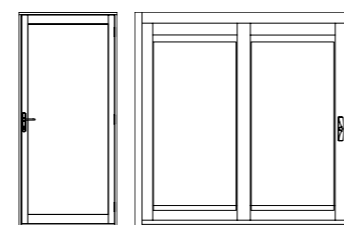
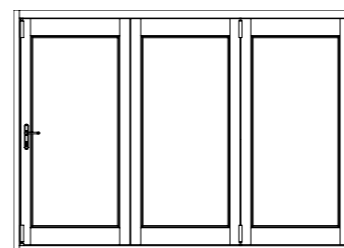
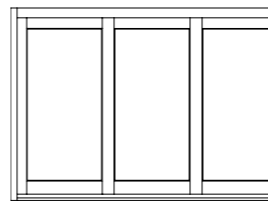
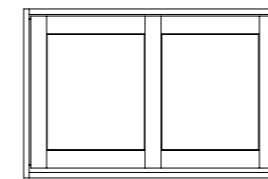
Windows are glazed with 5mm toughened glass or 5mm combinations in IGU's (Insulated Glass Unit).

Maximum height is 2400mm with width at 2400mm.

Maximum glass area is 2.4m².

Larger systems are available upon consultation with Trend® Windows & Doors Xtreme® Specialist.

(Refer to Xtreme® Windows & Doors System product manual for more detail)



xtreme® doors

Available in sliding, sliding stacker, single or double hinged and bifold doors.

Doors are glazed with 6mm toughened glass or 6mm toughened combinations in IGU's (Insulated Glass Unit).

Maximum height is 2400mm with width at 2400mm.

Maximum glass area is 2.4m².

Larger systems are available upon consultation with Trend® Windows & Doors Xtreme® Specialist.

(Refer to Xtreme® Windows & Doors System product manual for more detail)

xtreme® flame zone system

The system combines the Xtreme® BAL-40 window and door range of products and Fibreshield fire curtains.

This simple yet reliable arrangement contains no motors or electronics. The system is normally held in the fully open position which when activated the curtain drops to protect the window or door opening.

Motorised versions are an option that are ideal for larger window and door openings or fully integrated into house electronic systems.

energy efficiency

Thermashield® by Trend® utilises double glazed, toughened combinations of clear or toned glass, as well as low-e and gas filled IGU's. This offers significant savings by reducing expensive energy bills for all Xtreme® products.

glazing

Xtreme® bushfire windows and doors utilise the standard toughened glass used for windows and doors. A result of this is significant cost savings for the homeowner as there is no requirement for expensive heat resistant glass.

hardware

All hardware used in bushfire areas must be made of metal. Xtreme® Flame Zone products comprise of hardware that complies with the relevant standard.

FZ system
fully compliant to
AS3959-2009 &
AS1530.8.2-(2007)

