

CliniLever® Health Care Tapware

Commercial Tapware and Valves



A #TC56FC1C installed in a surgical scrub up room.

Since 1930 we have been trusted by our customers to supply high quality products, technical support and service they can rely on.

Whether you are looking for a product from our extensive range of products or a customised design our knowledgeable team is available to assist.

Features

- Patented inlet isolation valves with built in removable bucket filters for easy servicing and maintenance.
- All components are fully enclosed to avoid build up of contaminants.
- Levers allow hands free operation by either the elbow, forearm or wrist.
- Special units can be made to your specifications.



The unique filter and isolator of a Type 56.

Approvals



* Where Indicated by product

Applications

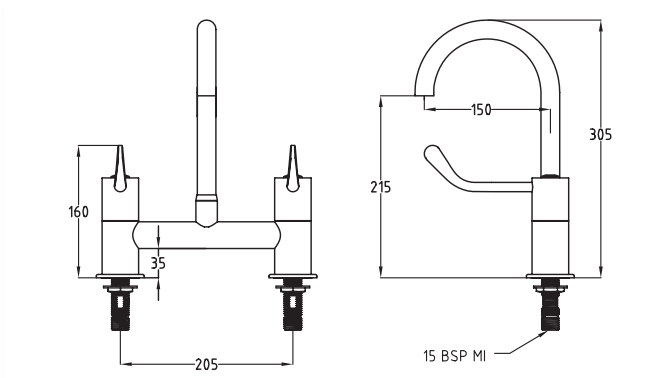
- Aged care facilities
- Commercial kitchens
- Elderly housing
- Hospitals
- Institutions
- Laboratories
- Schools
- Restaurants

Projects

- Baralaba Hospital, Qld
- Biggenden Hospital, Qld
- Mt Morgan Hospital, Qld
- Nambour Tafe, Qld



Surgical Sets

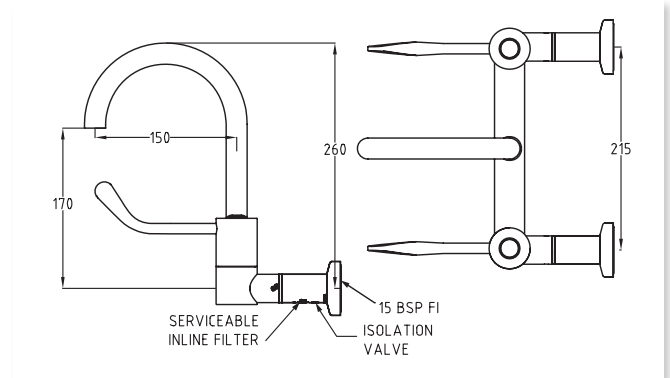


TC50SC1C - CP CliniLever® Surgical Hob Mixing Set Type 50 Swivel, 150mm Lever Handles and Ceramic Disc.

[*WaterMark AS/NZS 3718 and WELS 4 Star Rating, 7L/min]

TC50SJ1C - CP CliniLever® Surgical Hob Mixing Set Type 50 Swivel, 150mm Lever Handles Jumper Valve.

[*WaterMark AS/NZS 3718 and WELS 4 Star Rating, 7 L/min]

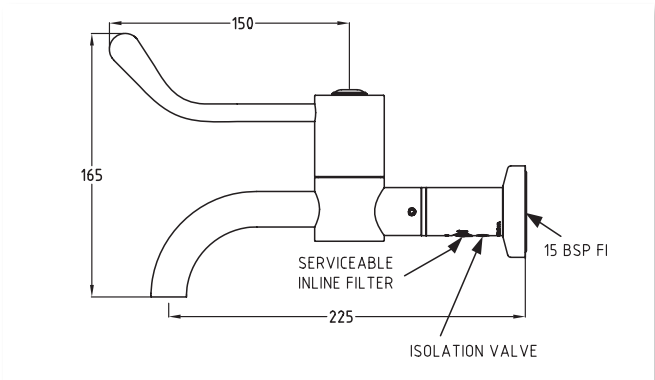


TC51SC1C - CP CliniLever® Surgical Wall Mixing Set Type 51 Swivel, 150mm Lever Handles and Ceramic Disc.

[*WaterMark AS/NZS 3718 and WELS 4 Star Rating, 4.5L/min]

TC51SJ1C - CP CliniLever® Surgical Wall Mixing Set Type 51 Swivel, 150mm Lever Handles and Jumper Valve.

[*WaterMark AS/NZS 3718 and WELS 4 Star Rating, 7 L/min]

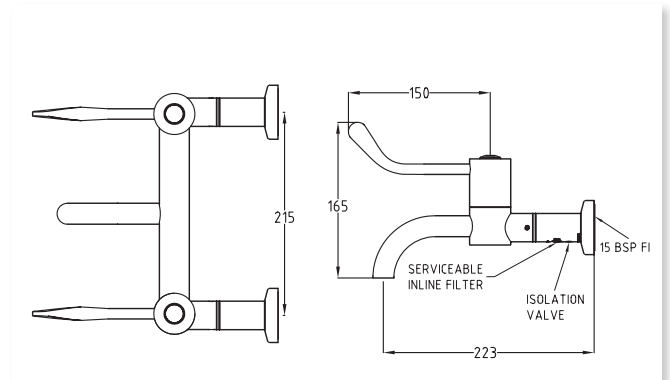


TC54FC1C - CP CliniLever® Surgical Wall Mixing Set Type 54 Fixed, 150mm Lever Handles and Ceramic Disc.

[*WaterMark AS/NZS 3718 and WELS 4 Star Rating, 7L/min]

TC54FJ1C - CP CliniLever® Surgical Wall Mixing Set Type 54 Fixed, 150mm Lever Handles and Jumper Valve.

[*WaterMark AS/NZS 3718 and WELS 4 Star Rating, 7L/min]



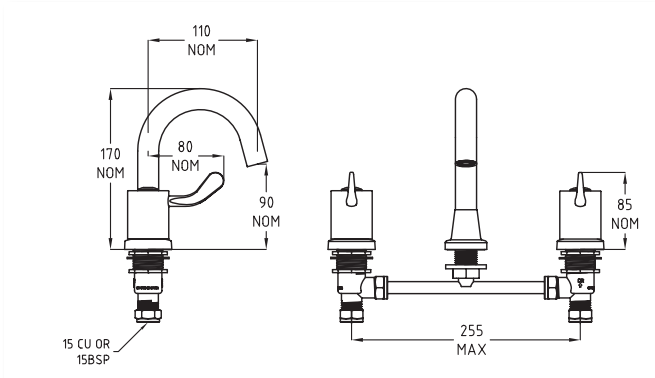
TC56FC1C - CP CliniLever® Surgical Wall Mixing Set Type 56 Fixed, 150mm Lever Handles and Ceramic Disc.

[*WaterMark AS/NZS 3718 and WELS 4 Star Rating, 7L/min]

TC56FJ1C - CP CliniLever® Surgical Wall Mixing Set Type 56 Fixed, 150mm Lever Handles and Jumper Valve.

[*WaterMark AS/NZS 3718 and WELS 4 Star Rating, 7L/min]

Basin Sets



TCBCF80C - CP CliniLever® Basin Set Fixed 80mm Lever Handles and Ceramic Disc.

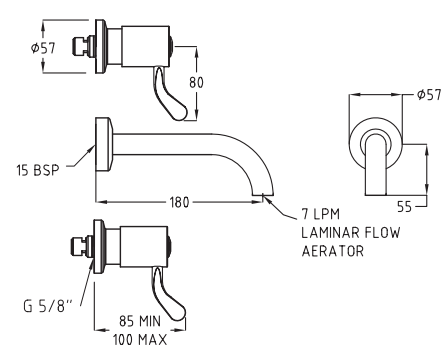
[*WaterMark AS/NZS 3718 and WELS 4 Star Rating, 7L/min]

TCBFJ80C - CP CliniLever® Basin Set Fixed 80mm Lever Handles and Jumper Valve.

[*WaterMark AS/NZS 3718 and WELS 4 Star Rating, 7L/min]

150mm Lever Handles are also available on request.

Bath Sets



TCWBC80C - CP CliniLever® Wall Bath Set 80mm Lever Handles and Ceramic Disc with 180mm Outlet Laminar.

[*WaterMark AS/NZS 3718 and WELS 4 Star Rating, 7L/min]

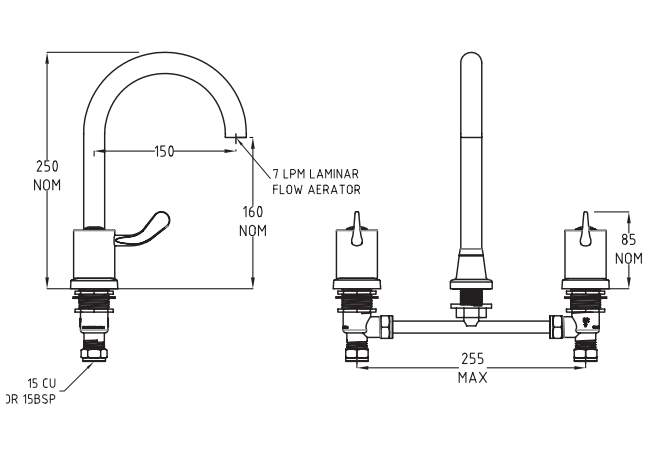
TCWBJ80C - CP CliniLever® Wall Bath Set 80mm Lever Handles and Jumper Valve with 180mm Outlet Laminar.

[*WaterMark AS/NZS 3718 and WELS 4 Star Rating, 7L/min]

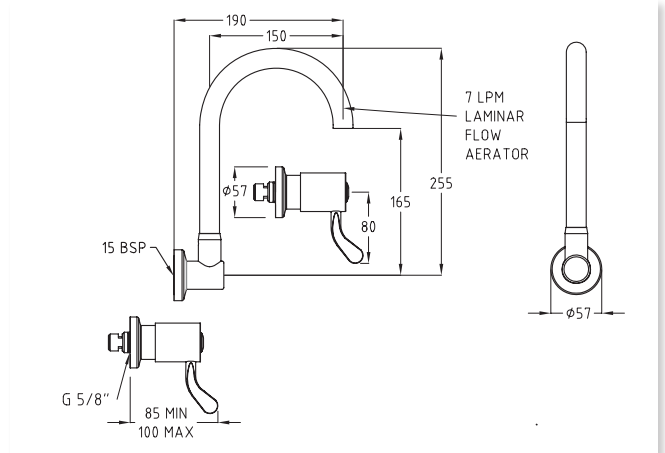
150mm Lever Handles are also available on request.

CliniLever® Health Care Tapware

Sink Sets

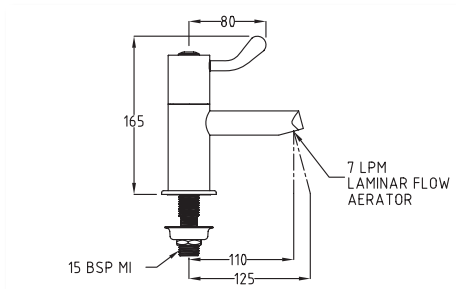


- # **TCSSC80C** - CP CliniLever® Sink Set 80mm Lever Handles and Ceramic Disc.
[*WaterMark AS/NZS 3718 and WELS 4 Star Rating, 7L/min]
 - # **TCSSJ80C** - CP CliniLever® Sink Set 80mm Lever Handles and Jumper Valve.
[*WaterMark AS/NZS 3718 and WELS 4 Star Rating, 7L/min]
- 150mm Lever Handles are also available on request.**



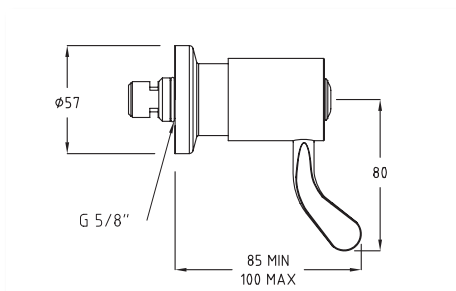
- # **TCWSC80C** - CP CliniLever® Wall Sink Set 80mm Lever Handles and Ceramic Disc with 190mm Gooseneck Outlet.
[*WaterMark AS/NZS 3718 and WELS 4 Star Rating, 7L/min]
 - # **TCWSJ80C** - CP CliniLever® Wall Sink Set 80mm Lever Handles and Jumper Valve with 190mm Gooseneck Outlet.
[*WaterMark AS/NZS 3718 and WELS 4 Star Rating, 7L/min]
- 150mm Lever Handles are also available on request.**

Pillar Taps



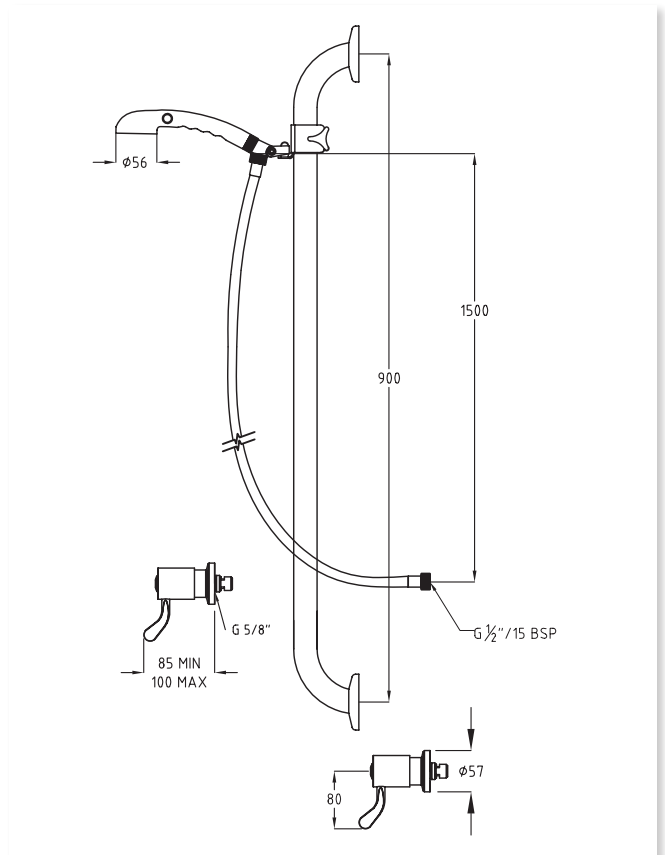
- # **TCPTC80C** - CP CliniLever® Pillar Tap Laminar Flow, 80mm Lever Handles and Ceramic Disc.
[*WaterMark AS/NZS 3718 and WELS 4 Star Rating, 7L/min]
 - # **TCPTJ80C** - CP CliniLever® Pillar Tap Laminar Flow, 80mm Lever Handles and Jumper Valve.
[*WaterMark AS/NZS 3718 and WELS 4 Star Rating, 7L/min]
- 150mm Lever Handles are also available on request.**

Wall Top Assemblies



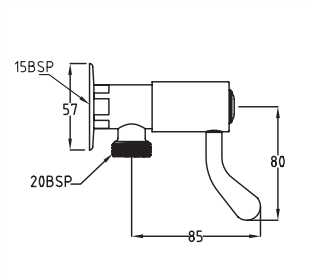
- # **TCWTC80PC** - CP CliniLever® Wall Top Assembly 80mm Lever Handles Ceramic Disc (Pair).
[*WaterMark AS/NZS 3718]
 - # **TCWTJ80PC** - CP CliniLever® Wall Top Assembly 80mm Lever Handles Jumper Valve (Pair).
[*WaterMark AS/NZS 3718]
- 150mm Lever Handles are also available on request.**

Shower Sets



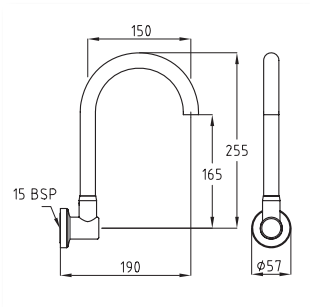
- # **TCS9C80C** - CP CliniLever® Shower Set 80 Ceramic Disc with Medi Hand Held Shower and 900mm Stainless Steel Grab Rail.
[*WaterMark AS/NZS 3718 and WELS 3 Star Rating, 9L/min]
 - # **TCS9J80C** - CP CliniLever® Shower Set 80 Jumper Valve with Medi Hand Held Shower and 900mm Stainless Steel Grab Rail.
[*WaterMark AS/NZS 3718 and WELS 3 Star Rating, L/min]
- 150mm Lever Handles are also available on request.**

Washing Machine Taps

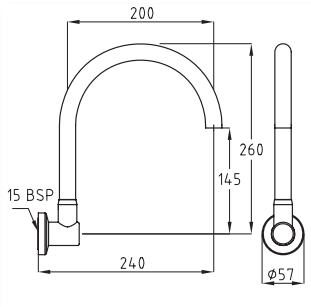


TCWMC80PC - CP CliniLever® Washing Machine Tap 80 Ceramic Disc (Pair).
 # **TCWMJ80PC** - CP CliniLever® Washing Machine Tap 80 Jumper Valve (Pair).

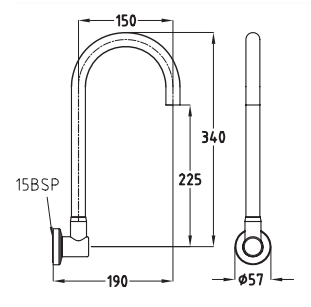
Outlets



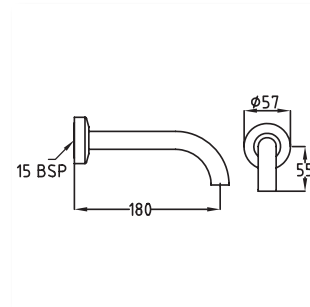
85007 - CP Clinical Gooseneck Wall Swivel Outlet 190 Reach X 165 High Aerator.
 [*WaterMark AS/NZS 3718 and WELS 4 Star Rating, 7L/min]



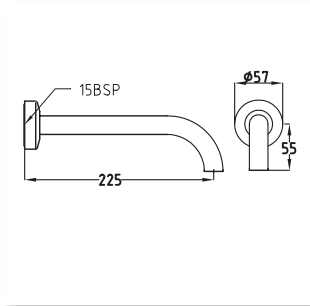
85035 - CP Clinical Gooseneck Wall Swivel Outlet 240 Reach X 145 High Aerator.
 [*WaterMark AS/NZS 3718 and WELS 4 Star Rating, 7L/min]



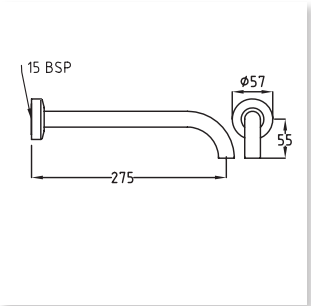
85050 - CP Clinical Gooseneck Wall Swivel Outlet 190 Reach X 225 High Aerator.
 [*WaterMark AS/NZS 3718 and WELS 4 Star Rating, 7L/min]



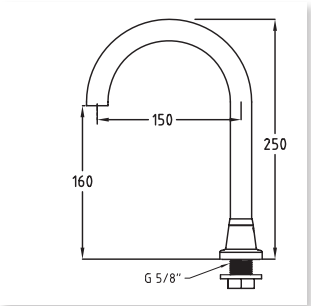
85114 - CP Clinical Wall Fixed Outlet 180 Reach.
 [*WaterMark AS/NZS 3718 and WELS 4 Star Rating, 7L/min]



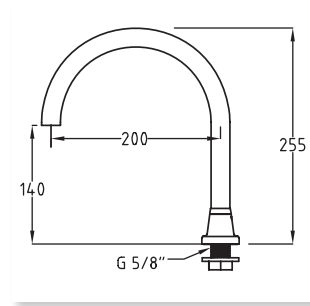
85121 - CP Clinical Wall Fixed Outlet 225 Reach.
 [*WaterMark AS/NZS 3718 and WELS 4 Star Rating, 7L/min]



85128 - CP Clinical Wall Fixed Outlet 275 Reach.
 [*WaterMark AS/NZS 3718 and WELS 4 Star Rating, 7L/min]



85207 - CP Clinical Gooseneck Hob Swivel Outlet 150 Reach X 160 High Aerator. 5/8 Male.
 [*WaterMark AS/NZS 3718 and WELS 4 Star Rating, 7L/min]



85221 - CP Clinical Gooseneck Hob Swivel Outlet 200 Reach X 140 High Aerator. 5/8 Male.
 [*WaterMark AS/NZS 3718 and WELS 4 Star Rating, 7L/min]

Whilst all reasonable care has been taken in compiling the information in this document, the designs, dimensions and products shown are indicative only and should not be relied upon without our prior approval. Due to our policy of continuous development, we reserve the right to alter any details of specifications or products without notice. All information, drawings, technical specifications and product designs remains the property of Galvin Engineering Pty Ltd.