

GANG-NAIL[®]

TrussSpacer

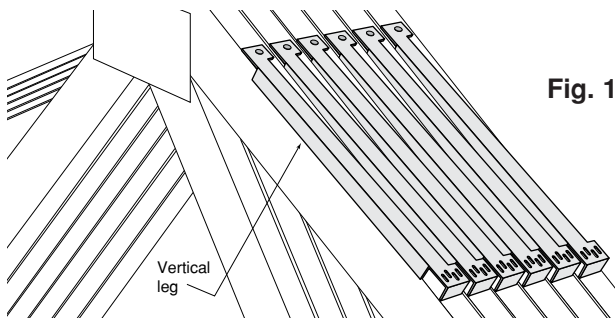
FOR FAST AND ACCURATE SPACING OF ROOF TRUSSES

APPLICATION

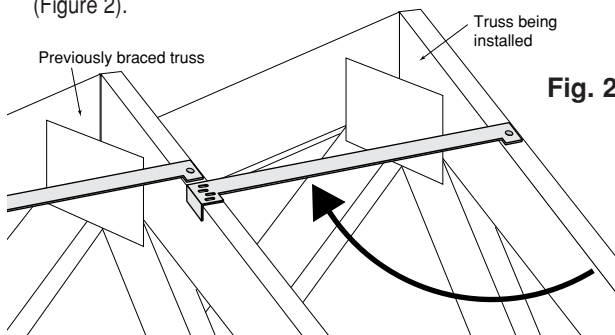
The TrussSpacer provides a fast and accurate method for the spacing and temporary bracing of roof trusses during installation. The TrussSpacer is fixed to the truss prior to lifting truss on to top plates. This significantly speeds up truss installation and improves site safety as installers do not have to work on unrestrained trusses.

INSTALLATION:

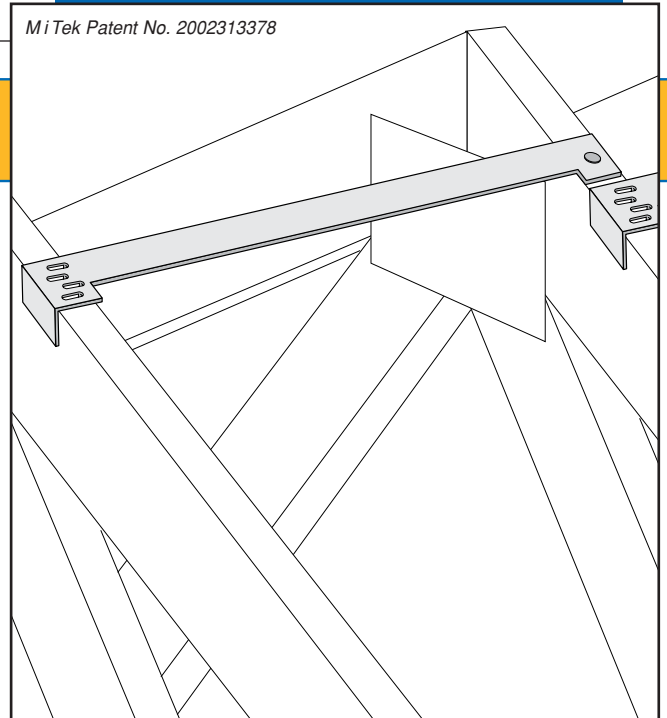
1. Fix TrussSpacer to truss at one side of apex and at maximum spacing of 3000mm along top chords prior to lifting trusses. This should be done with the TrussSpacer located firmly along the chord edge parallel to the truss as shown in Figure 1. Make sure the vertical leg of the TrussSpacer is on the face of the truss which will face the installer when on the roof.



2. When lifting the truss into position on the roof the vertical leg of the TrussSpacer should be facing the previously installed truss. The TrussSpacer can now be rotated 90° and temporarily hooked onto the previously installed truss. The truss being installed should be checked to ensure that it is plumb and straight.
3. Complete the fixing of TrussSpacer by hammering preformed teeth into the chord of adjacent previously braced truss (Figure 2).



DO NOT STAND ON ANY TRUSS UNTIL ALL TEMPORARY BRACING HAS BEEN INSTALLED.



FEATURES

- *Pre-formed teeth for fast on site fixing.*
- *Product supplied with nail inserted.*
- *Pre-fixed prior to lifting trusses into position.*
- *Hook holds truss in position allowing both hands free for fixing off.*

ADVANTAGES

- *Improves safety during installation.*
- *Speeds up installation.*
- *No need to stand on unrestrained trusses.*
- *No loose components to hold while in roof.*
- *Accurately spaces trusses.*

Mi[®]
MiTek[®]

creating the **advantage**

GANG-NAIL®

TrussSpacer

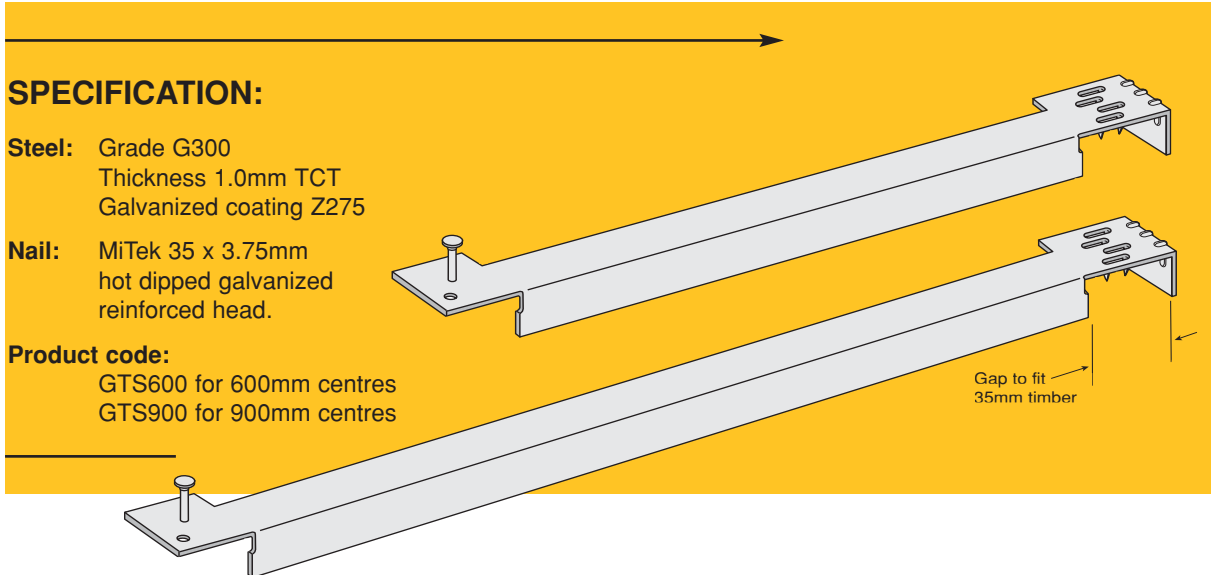
FOR FAST AND ACCURATE SPACING
OF ROOF TRUSSES

SPECIFICATION:

Steel: Grade G300
Thickness 1.0mm TCT
Galvanized coating Z275

Nail: MiTek 35 x 3.75mm
hot dipped galvanized
reinforced head.

Product code:
GTS600 for 600mm centres
GTS900 for 900mm centres



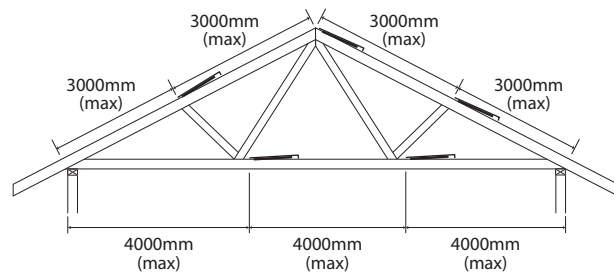
CODE REQUIREMENTS:

Australian Standard for the installation of nailplated trusses AS4440 requires that temporary ties are to be used on top chords at spacings no greater than 3000mm and on bottom chords at spacings no greater than 4000mm.

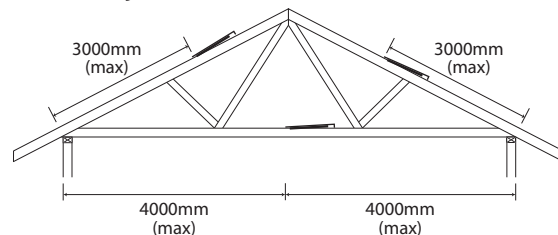
To conform with AS4440 requirements, use TrussSpacers as shown opposite.

TrussSpacers also conform with the requirements of Safe Work Australia's National Code of Practice for the Prevention of Falls in Housing Construction, April 2010.

Standard layout



Alternative layout



MiTek Australia Ltd.

ABN 98 004 564 587
46 Monash Drive Dandenong Sth
Victoria 3175 Australia
Telephone 03 8795 8888
Facsimile 03 9702 9464
Web site www.mitek.com.au

New South Wales 02 8525 8000
Queensland 07 3268 1666
South Australia 08 8234 1326
Western Australia 08 6218 5945
New Zealand 09 274 7109
Malaysia 603 3176 7473

MiTek
MiTek®

creating the advantage