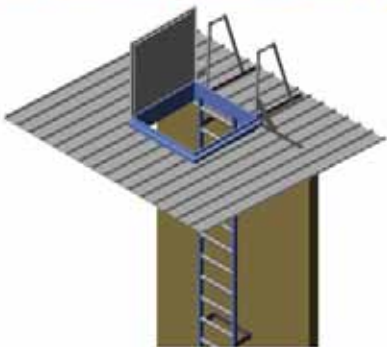


# ENGINEERED FALL PROTECTION SYSTEMS

PRICE LIST CATALOGUE 2008



Your ultimate source of stability and security

**SAFETY ANCHORS**  
PTY LTD

## Pricing

**The following Safety Anchors Pty Ltd Price List is our Recommended Retail Price.**

DESCRIPTION	DISCOUNT
<b>ADVANCED FALL PROTECTION EQUIPMENT</b>	<b>CAT A, B, F</b>
The "SAFETY ANCHOR" SYSTEMS	CAT C
VERTIC HORIZONTAL LIFELINE SYSTEMS	CAT D
VERTIC VERTICAL LIFELINE SYSTEMS	CAT D
VERTIC ACCESS LADDER SYSTEMS	CAT D
ENGINEERED DAVIT - ABSEIL - RESCUE SYSTEMS	CAT F
FRP & ALUMINIUM WALKWAYS SYSTEMS	CAT E
STAINLESS STEEL HANDRAILING SYSTEMS	P.O.A.
ALTRAC HORIZONTAL LIFERAIL	CAT E
VEHICLE ACCESS SYSTEMS	P.O.A.
SAFE-T-NETT FALL PREVENTION SYSTEMS	CAT F
INSTALLATION EQUIPMENT SALES & HIRE	CAT A, E, NETT

**CALL NOW  
TO REGISTER FOR  
YOUR CONFIDENTIAL  
PRICING STRUCTURE**

**PLACE YOUR DISCOUNT STRUCTURE  
STICKER HERE!**

(THIS WILL BE MAILED TO YOU ONCE YOU HAVE REGISTERED)

## Prices

Prices are current at time of printing, however some variation may occur due to costings of raw materials, fluctuating currencies or changes in Government Policy, such as Duties and Tariffs. Every effort will be made to inform customers of changes as they occur. All prices shown are in Australian Dollars.

## GST

Pricing shown in Price List does not include GST. A GST charge of 10% is applicable on all items.

## Delivery

All prices are ex our Sydney, Australia store, plus freight. In the absence of freighting instructions, all orders will be forwarded by our regular courier and charged to the purchaser.

## Returns

Any claims for returns must be made within seven (7) business days after delivery. No returns will be accepted unless prior authorisation has been obtained. A handling charge of 10% may apply. Credit will not be given for returns of non-standard or special order non stock items.

## Payment

Accounts are payable in AUD\$ (Australian Dollars), due 30 days from end of month of invoicing. Safety Anchors Pty Ltd reserves the right to refuse further deliveries and to cancel credit facilities for overdue accounts.

## Non-Disclosure

The Distributor/Installer agrees to keep confidential any information contained within these terms and conditions. During the course of business a Distributor/Installer may receive information or trade secrets, that Safety Anchors Pty Ltd considers confidential. Disclosure of such information without consent is prohibited during and after our agreement. All information regarding operations is to be regarded confidential unless made public by Safety Anchors Pty Ltd.

All specifications stated in our catalogue and/or price list are current at time of printing. Specifications may be changed without notice. No responsibility can be accepted by Safety Anchors Pty Ltd for any damage, loss or injury that may be incurred due to failure of late delivery of any item we supply. It is the Distributors/Installers responsibility to ensure that any items ordered are for the correct application.

CATEGORY	PAGE
ABOUT SAFETY ANCHORS	2
CAD SYSTEM DESIGN	3
TRAINING SYSTEMS	4
ENGINEERED SYSTEMS	5
SYSTEM INSTALLATION	6
HEIGHT SAFETY EQUIPMENT QUICK GUIDE	7
PREVENTION, PROTECTION & RESCUE	8
ADVANCED FALL PROTECTION EQUIPMENT	10
THE SAFETY ANCHOR SYSTEM	28
VERTIC HORIZONTAL LIFELINE SYSTEMS	40
VERTIC VERTICAL LIFELINE SYSTEMS	51
VERTIC ACCESS LADDER SYSTEMS	57
ENGINEERED DAVIT ABSEIL/RESCUE SYSTEMS	66
FRP & ALUMINIUM WALKWAY SYSTEMS	69
STAINLESS STEEL HANDRAILING SYSTEM	76
ALTRAC HORIZONTAL LIFERAIL SYSTEMS	77
VEHICLE ACCESS SYSTEMS	86
SAFE-T-NETT/ROPE SAFETY NETS	87
INSTALLATION EQUIPMENT SALES & HIRE	91
PRIORITY ORDER FORM	93

NOTE: PRODUCT USE IMAGES, CAD DRAWING AND DIAGRAMS CONTAINED IN THIS CATALOGUE ARE FOR ILLUSTRATION PURPOSES ONLY.



Safety Anchors is a name known throughout the Height Safety Industry as a leader in innovative design, development and manufacture of superior fall arrest, fall restraint and rope access safety systems. As the leading provider of Engineered Safety Systems for people working at heights, our commitment to Safety, Quality, Service and Performance is absolute.

Engineered for Safety in the most challenging workplace environments, Safety Anchors range is of the highest quality, meeting the exacting requirements of the Australian Standards AS/NZS 1891 series.

Our strong position in the market place has been forged by offering customised solutions, and by the use of industry best practice to support and provide a high level of service. Via our extensive Supply and Installation chain, Safety Anchors offers a comprehensive risk management service to provide permanent provision of safe access to the roof for maintenance, or to assist the safe work practices necessary to carry out the installation. Our service includes, but is not limited to the following:

- Full Access System Design
- System Inspection & Recertification
- Height Safety Audits
- National network of Authorised Installers/Distributors

Safety Anchors certifies all designs and systems and carries its own Professional Indemnity Insurance Policy to cover all areas of expertise. This fact relieves the architect and/or engineer from the responsibility of the design of the safe access system entirely.

A Safety Anchor system is an integral part of a site Safety & Risk assessment plan. It can be specified at the initial design stage or added to meet the requirements of Safety Legislation. At Safety Anchors we realise each site has its own unique access and restraint requirements, therefore each system must be customised accordingly.

Safety Anchors has a complete product range and continues to invest in extensive Research and Development. Our continuing product development and ongoing testing, allows us to remain at the forefront of product development. This versatility allows Safety Anchors and their innovative products to address the demands of modern architecture, heritage buildings and harsh industrial environmental conditions and to provide safe access for the many who put faith in our products when working at heights.

## HEIGHT SAFETY CONSULTANTS

SPECIALISING IN DESIGN OF HEIGHT SAFETY AND SAFE ACCESS SYSTEMS

### REDUCE YOUR RISK

We take the risk and stress out of your job. We design systems for you!

Are you aware of **YOUR** obligations as stated in the **WorkCover Handbook?**

### SIMPLE & EASY

You send your plans on CAD and we return them with a certified design and specification at a small fee.

**IT IS IMPORTANT TO MAKE SURE THE HEIGHT SAFETY SYSTEMS COMPLY**



- A LAYOUT DRAWING MUST BE PROVIDED
- ASK HOW THE SYSTEM WORKS – CAN YOU REACH ALL AREAS SAFELY AND RETURN?
- ASK FOR **DYNAMIC TEST CERTIFICATE** SHOWING THE LOADS APPLIED TO THE STRUCTURE IN THE EVENT OF A FALL
- HAVE YOUR ENGINEER ASSESS THE SITUATION

**TAKE THE STRESS OUT OF YOUR JOB!**

**CALL OUR CONSULTANTS NOW!**

**☎ 1300 24 24 84**

# WORKING AT HEIGHTS TRAINING COURSES

## Need Training for Working at Heights?

**WE OFFER:**

- **SAFE WORKING AT HEIGHTS TRAINING**
- **CONFINED SPACE TRAINING**
- **SITE AUDITS FOR WORKING AT HEIGHTS**
- **ANNUAL INSPECTION & RECERTIFICATION**
- **SITE SPECIFIC RESCUE TRAINING**
- **SITE SPECIFIC INDUCTION TRAINING**
- **SYSTEM DESIGN & CERTIFICATION**
- **MOBILE TRAINING SERVICE ON YOUR SITE\***

*ALL TRAINING DELIVERED WITH:*

- *PROFESSIONAL, QUALIFIED STAFF*
- *TIMELY, COURTEOUS CUSTOMER SERVICE*
- *EXPERIENCE AND EXPERTISE*

- **DO YOU WORK AT HEIGHTS? • DO YOU WORK AT DEPTHS?**
- **DO YOU USE CLIMBING EQUIPMENT?**
- **DO YOU WANT NATIONALLY RECOGNISED QUALIFICATION?**



**– 1 DAY COURSE –**  
**MNMG237A Work Safely At Heights**



- **IN ACCORDANCE WITH WORKCOVER REGULATIONS & AUSTRALIAN STANDARDS**
- **NATIONALLY RECOGNISED QUALIFICATION**
- **REGISTERED BY VETAB**
- **EARN 24 CPD POINTS FOR LICENCE HOLDERS**

**FACT: WORKING AT HEIGHTS IS THE PRIME CAUSE OF DEATH OR INJURY IN THE WORKPLACE!**

**ACT NOW!! SAVE LIVES!!**

**TRAINING ENSURES COMPETENCIES AS REQUIRED BY LAW.**

\* MINIMUM GROUP/CHARGE – 10 PERSONS FOR TRAINING ON YOUR SITE.

Training provided by Baseline Training & Consulting which is a Registered Training Organisation (RTO I.D. 31371)



**ENGINEERED SYSTEMS**

**CERTIFICATE OF CONFORMITY**  
This is to certify that the **Timber Anchor** (Product Code No. TA101) has been dynamically tested and produced the following

**CERTIFICATE OF CONFORMITY**  
This is to certify that the **Retro Anchor** (Product Code No. RA201) has been dynamically tested and produced the following

**CERTIFICATE OF CONFORMITY**  
This is to certify that the **Surface Mount Anchor** (Product Code No. SM301) has been dynamically tested and produced the following

**CERTIFICATE OF CONFORMITY**  
This is to certify that the **Surface Mount Anchor** (Product Code No. SM301) has been dynamically tested and produced the following results:

**CERTIFICATE OF CONFORMITY**  
This is to certify that the **Timber Anchor** (Product Code No. TA101) has been dynamically tested and produced the following

**CERTIFICATE OF CONFORMITY**  
This is to certify that the **Surface Mount Anchor** (Product Code No. SM302) has been dynamically tested and produced the following

**CERTIFICATE OF CONFORMITY**  
This is to certify that the **Surface Mount Anchor** (Product Code No. SM302) has been dynamically tested and produced the following results:

**TEST No.:** S  
**DYNAMIC FORCE APPLIED:** 26.43kN  
**LOAD CELL IDENTIFICATION:** KELBA/ADMET KT6000  
**DATE CALIBRATED:** 09-01-06 - PCS MEASUREMENTS  
**TEST DATE:** 23-01-06  
**STRUCTURE TYPE:** TIMBER RAFTERS - 90 x 35mm (F5 GR AND METAL ROOF)  
**MOUNTING BRACKET TYPE:** STAINLESS STEEL - TIMBER BASE  
**DISSIPATION RESULTS FROM LOAD CELL TO STRUCTURE:** 5.2kN  
**PERCENTAGE REDUCTION OF LOAD APPLIED TO STRUCTURE:** 80%

**TEST No.:** K  
**DYNAMIC FORCE APPLIED:** 26.43kN  
**LOAD CELL IDENTIFICATION:** KELBA/ADMET KT6000  
**DATE CALIBRATED:** 09-01-06  
**TEST DATE:** 17-01-06  
**STRUCTURE TYPE:** TRIMDEK ON C15015  
**MOUNTING BRACKET TYPE:** STAINLESS STEEL RETAINING BLOCK  
**DISSIPATION RESULTS FROM LOAD CELL TO STRUCTURE:** 7.2kN  
**PERCENTAGE REDUCTION OF LOAD APPLIED TO STRUCTURE:** 73%

**TEST No.:** L  
**DYNAMIC FORCE APPLIED:** 26.43kN  
**LOAD CELL IDENTIFICATION:** KELBA/ADMET KT6000  
**DATE CALIBRATED:** 09-01-06  
**TEST DATE:** 17-01-06  
**STRUCTURE TYPE:** TRIMDEK ON C15015  
**MOUNTING BRACKET TYPE:** TWO PIECE  
**DISSIPATION RESULTS FROM LOAD CELL TO STRUCTURE:** 7.9kN  
**PERCENTAGE REDUCTION OF LOAD APPLIED TO STRUCTURE:** 70%

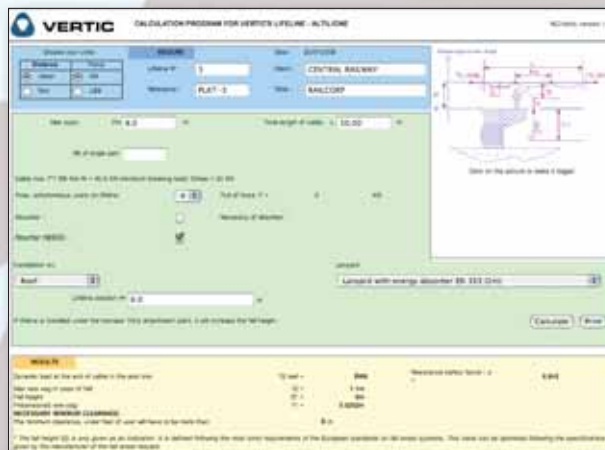
**TEST No.:** X - LATERAL FORCE  
**DYNAMIC FORCE APPLIED:** 26.43kN  
**LOAD CELL IDENTIFICATION:** KELBA/ADMET KT6000  
**DATE CALIBRATED:** 09-01-06  
**TEST DATE:** 27-01-06  
**STRUCTURE TYPE:** METAL PROFILE ON TIMBER RAFTER 90 x 35mm (F5 GRADE)  
**MOUNTING BRACKET TYPE:** ONE PIECE  
**DISSIPATION RESULTS FROM LOAD CELL TO STRUCTURE:** 4.0kN  
**PERCENTAGE REDUCTION OF LOAD APPLIED TO STRUCTURE:** 85%

**TEST No.:** R  
**DYNAMIC FORCE APPLIED:** 26.43kN  
**LOAD CELL IDENTIFICATION:** KELBA/ADMET KT6000  
**DATE CALIBRATED:** 09-01-06 - PCS MEASUREMENTS  
**TEST DATE:** 23-01-06  
**STRUCTURE TYPE:** TIMBER RAFTERS - 90 x 35mm (F5 GR ON THE ROOF)  
**MOUNTING BRACKET TYPE:** STAINLESS STEEL - TIMBER BASE  
**DISSIPATION RESULTS FROM LOAD CELL TO STRUCTURE:** 6.2kN  
**PERCENTAGE REDUCTION OF LOAD APPLIED TO STRUCTURE:** 76%

**TEST No.:** Y  
**DYNAMIC FORCE APPLIED:** 26.43kN  
**LOAD CELL IDENTIFICATION:** KELBA/ADMET KT6000  
**DATE CALIBRATED:** 09-01-06  
**TEST DATE:** 27-01-06  
**STRUCTURE TYPE:** METAL PROFILE ON TIMBER RAFTER 90 x 35mm (F5 GRADE)  
**MOUNTING BRACKET TYPE:** TWO PIECE - CUSTOM ORB  
**DISSIPATION RESULTS FROM LOAD CELL TO STRUCTURE:** 6.4kN  
**PERCENTAGE REDUCTION OF LOAD APPLIED TO STRUCTURE:** 76%

**TEST No.:** W - LATERAL FORCE  
**DYNAMIC FORCE APPLIED:** 26.43kN  
**LOAD CELL IDENTIFICATION:** KELBA/ADMET KT6000  
**DATE CALIBRATED:** 09-01-06  
**TEST DATE:** 27-01-06  
**STRUCTURE TYPE:** METAL PROFILE ON TIMBER RAFTER 90 x 35mm (F5 GRADE)  
**MOUNTING BRACKET TYPE:** TWO PIECE  
**DISSIPATION RESULTS FROM LOAD CELL TO STRUCTURE:** 4.8kN  
**PERCENTAGE REDUCTION OF LOAD APPLIED TO STRUCTURE:** 82%

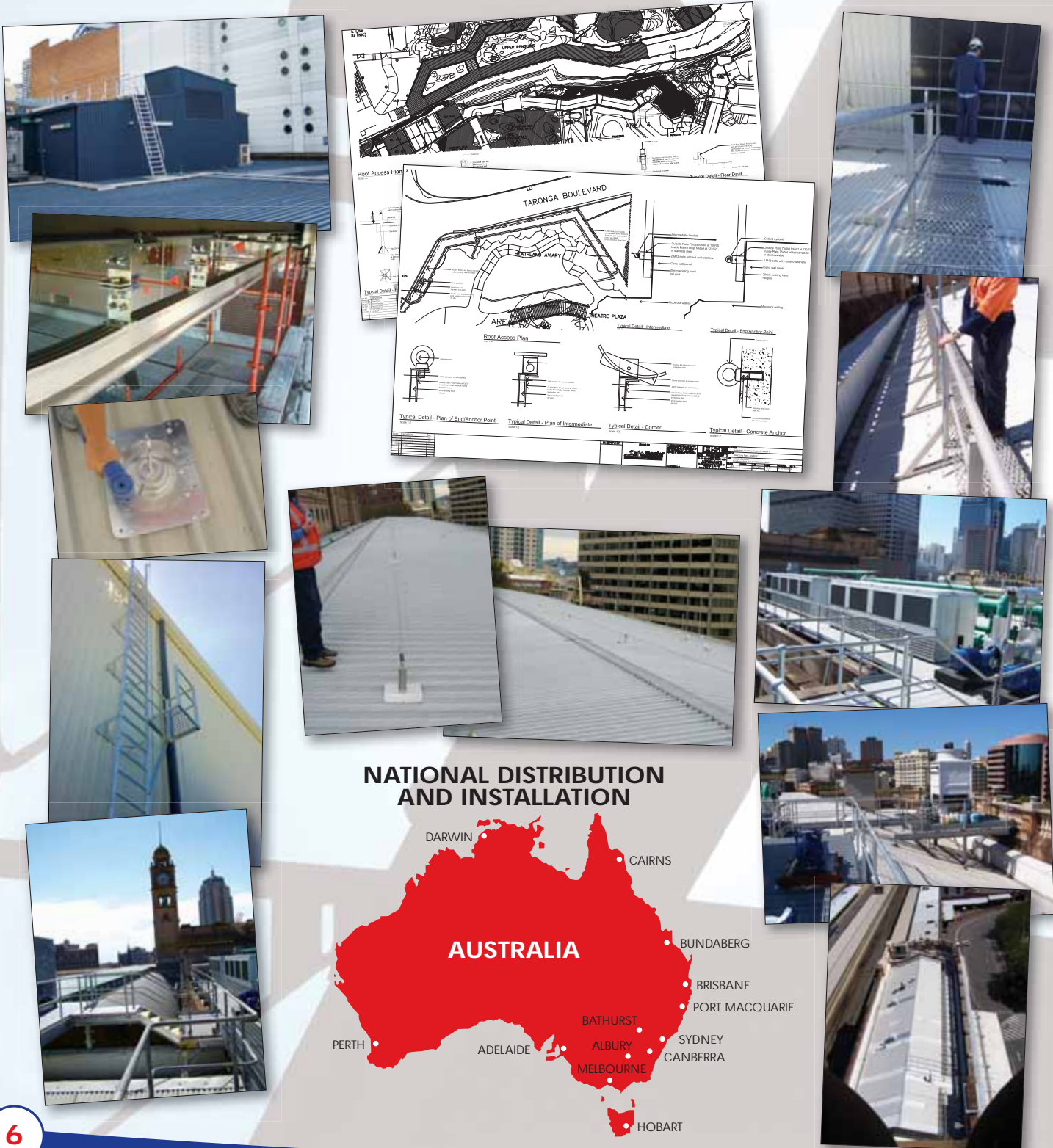
SIGNED: *P. Marcus* PETER MARCUS B.Sc. (Eng), MIE Aust., CPEng, NFER 3 DIRECTOR



# SYSTEM INSTALLATION

Safety Anchors has fully trained personnel, qualified to design, install and certify, a compliant height safety system for all your access to roofs and high places.

Safety Anchors has national distribution covering every capital city and major regional centre. This ensures customers can benefit from a national coverage and standardization of product, installation and service across Australia.



## NATIONAL DISTRIBUTION AND INSTALLATION





## HEIGHT SAFETY EQUIPMENT QUICK GUIDE

Tower & Mast	Vertical Systems	Horizontal Lifelines	Scaffolding	Pole Top	Inertia Reels	Rooftop Safety	EWPs	Confined Space	Rescue & Evacuation

### HARNESSES

SA21			✓	✓		✓	✓		
SA22		✓	✓	✓		✓	✓		✓
SA23			✓	✓		✓	✓	✓	✓
SA41			✓	✓	✓	✓	✓		
SA42	✓	✓	✓	✓	✓	✓	✓		✓
SA21/326			✓	✓			✓		
SA1100 Blue			✓	✓		✓	✓	✓	
SA1104 Blue		✓	✓	✓		✓	✓	✓	✓
SA1107 Blue		✓	✓	✓	✓	✓	✓	✓	✓

### LANYARDS

SA305 Rope Lanyards			✓	✓			✓	✓	
SA309 Rope Lanyards			✓	✓			✓	✓	
SA320 Pole Strap	✓				✓				
SA325 Webbing Lanyard			✓	✓			✓	✓	
SA325 Elastic Lanyard			✓	✓			✓	✓	
SA326 Webbing Lanyard			✓	✓			✓	✓	
SA329 Webbing Lanyard			✓	✓			✓	✓	
SA361 Webbing Lanyard	✓		✓				✓		
SA371 Webbing Lanyard	✓		✓						
SA391 Webbing Lanyard			✓	✓			✓	✓	
SASLING Anchor Sling				✓			✓		
SA805 Anchor Strap				✓			✓		
SA242 Restraint Line	✓	✓	✓				✓		
SA2003 Restraint Line			✓				✓		
SA3000 Horizontal Safety Line			✓				✓		
NMINABSP Retracting Lanyard			✓				✓	✓	

Note: This chart is a guide only. Refer to AS/NZ1891.4 for further guidance.

# FALLS FROM HEIGHT PREVENTION, PROTECTION & RESCUE

## WHAT YOU NEED TO KNOW...

### 1 ALWAYS CONSIDER THE HIERARCHY OF CONTROL WHEN WORKING AT HEIGHT

**Avoidance** - Avoid all unnecessary work at height.

**Permanent access** - Use walkways and gantries where possible

**Temporary working platforms** - The use of scaffolding, cradles and mobile platforms

**Collective measures are preferable to person measures** - Handrails, safety netting, airbags or landing mats

Personal measures can be split into three categories:



Work restraint



Work position



Fall Arrest

### 2 IF A FALL CAN OCCUR YOU MUST BE PROTECTED

**Never work alone**

**Check that you have safe clearance below**

**Always have a rescue plan**

PPE for arresting falls must include:

**Anchorage** that are rated to AS1891.4 or equivalent

**A Full Body Harness** - correctly fitted

**A Fall Arrest Device** that will:

Ensure shock loads do not exceed 6kN

Arrest the fall in a known distance

Arrest the fall and prevent the user colliding with obstacles

**Connectors** - suitable for linking the system

### 3 THE EFFECTS A FALL WILL HAVE ON YOU

Even if you use suitable fall arrest equipment, a fall will still be a traumatic experience

You may collide with obstacles during the fall

You may be unconscious or in shock

Suspension in a harness, if left unchecked, can cause you serious medical complications - see section 4

### 4 SUSPENSION IN A HARNESS CAN LEAD TO SUSPENSION TRAUMA

If you are suspended after a fall you may experience pressure points from the harness that can cause pain and restrict your circulation.

If this is left unchecked, it can lead to: Tingling sensations in your limbs, dizziness and eventually a lack of consciousness.

If you can move, you may be able to relieve the effects, but you need to be rescued. A temporary aid may also help reduce the effects.

If during the fall you are knocked unconscious, then you will be unaware of these effects. They will still occur, but you

will not be able to ease them and you need to be rescued.

The effects can begin within a few minutes. Rescue should be carried out as quickly and as safely as possible. Ideally, rescue should take no longer than 5 minutes.

When the pressure is released from the harness, you must also take care as blood and toxins will be released back into your system. You need to help prevent this happening too fast. It is better to sit or stand, not to exert yourself and seek medical advice. Tell them what happened and how long you were suspended for.

### 7 AFTER THE RESCUE

They may still need care  
Call for medical assistance

Do not lie the casualty down  
Let them stand or sit upright

If sitting on the floor, you can raise their knees to their chest

Stay with them until help arrives

### 6 APPROACHES TO RESCUE

There are many types of rescue available. You must plan to find the one for you. Always avoid placing others at unnecessary risk during the rescue.

**Improvised/Unplanned Recovery**

May be effective

Can place rescuers at risk

There is a risk of failure

**Planned/Application Specific**

Very effective if well planned and assessed

May use a pre-assembled kit, such as a Gotcha

Requires adequate training

Must be at the workplace to be effective

**Permanent Rescue Team/Emergency Services**

They need to be aware of your needs in advance

They must be able to get to you in time

They should be called even if you intend to use one of the other approaches.

### 5 TAKE THE PRESSURE OUT OF SUSPENSION

Footloops or temporary supports can reduce the effects of harness suspension.

**You must remember:**

It only works on conscious casualties

It is not a replacement for rescue

**Appropriate use can:**

Give you more time to carry out the rescue

Allow the casualty to move, assisting circulation

Help to relieve pressure from the harness

Reduce or delay the effects of Suspension Trauma

To be effective, it must be at the work site.



# PHYSICAL CONTROLS WHEN USING PPE AT HEIGHT

If a full risk assessment and work method statement has determined the need to use personal protective equipment, careful consideration must be given to the following work at height techniques. Refer to AS/NZ 1891.4 for further information. All personnel using PPE at height must be trained in the proper use and limitations of their equipment



## Fall Restraint

Fall restraint is the preferred approach to fall protection – it prevents you from falling and from suffering possible injury from the fall arrest system. Work restraint is a technique which uses PPE to prevent a person from entering an area of where a risk of fall from height exists.



## Work Positioning

Work Positioning is a technique for supporting a person while working by means of PPE in tension, in such a way as to prevent a fall.



## Fall Arrest

Fall arrest is an approach which makes use of items of PPE to stop a falling person under safe conditions. This means that if a worker is in a position such that if he loses control he will fall, he is required to use PPE to limit both the distance and force of that fall.

## Additional Specialist Topics For Work at Height



## Emergency Plan

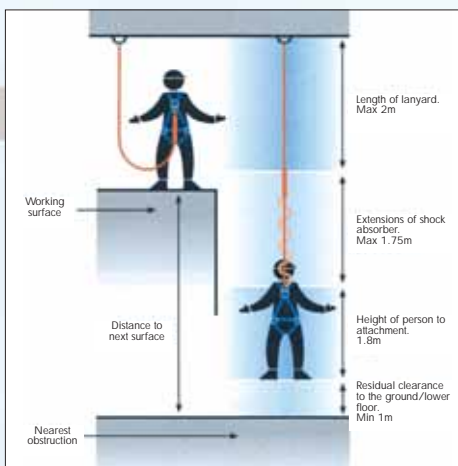
AS 1891.4 states that the rescue of a fallen worker must occur as soon as possible, as does the National Code of Practice for the Prevention of Falls from Heights in Construction Work. It also recommends that a person should not use a fall arrest system unless there is at least one other person on site who can rescue the user in the event of a fall. In some situations, at least two persons may be required to safely rescue a person who has had a fall. This requires specific training.



## Confined Space

Safe access and egress from confined spaces requires careful planning. When access and egress also includes the potential for falls, then it is considered as work at height. In all cases rescue and recovery must be planned and the personnel be trained in emergency procedures.

**All personnel using PPE at height must be trained in the proper use and limitations of their equipment.**



## Fall Clearance

An often overlooked hazard is that of fall clearances. You must ensure there is sufficient distance beneath the user to ensure they do not hit a lower level, or the ground, before the fall arrest system is fully deployed. The illustration here shows the necessary fall clearance is 6.55 metres when using a 2 metre shock absorbing lanyard. Other equipment will have different clearance requirements. Refer to AS/NZ1891.4 for further information.



## ADVANCED FALL PROTECTION EQUIPMENT



The new range includes harnesses, lanyards and rope lines. For convenience, we have assembled a wide ranging series of kits such as Roofers Kit, Construction Workers Kit, Multipurpose Kit and many others. Safety Anchors also has available a wide range of products such as retractable lanyards, fall arrestors, temporary anchors and portable ladder brackets, suitable for a wide range of applications.

Through the all new Advanced Fall Protection range, we have endeavoured to make the harness as comfortable as possible, whilst ensuring maximum protection to the user. This, when coupled with a competitive pricing structure, makes the new range ideal for the competitive and demanding Australian Market.

All of the new range is of the highest quality, meeting the requirements of Australian Standards AS/NZS 1891.1. It offers maximum protection in areas of fall arrest and rescue and a myriad of choices for compliance with the relevant Standards, Codes of Practice as well as the Occupational Health and Safety Legislation.

***Peace of mind . . . when it matters most!***

CODE	ITEM	DESCRIPTION	PRICE (EXCL. GST) AU\$
SA21	FULL BODY HARNESS LIGHTWEIGHT	Dorsal attachment D-Ring Adjustable shoulder and thigh straps Shoulder and thigh straps differentiated by a dual colour scheme Ideally positioned sit strap for extended comfort (Cat A) <b>Certified to AS/NZ 1891.1</b>	\$97.00
SA22	FULL BODY HARNESS LIGHTWEIGHT	Two chest attachment fall arrest loops and a dorsal attachment D-Ring Adjustable shoulder and thigh straps Shoulder and thigh straps differentiated by a dual colour scheme Ideally positioned sit strap for extended comfort (Cat A) <b>Certified to AS/NZ 1891.1</b>	\$116.00
SA23	FULL BODY HARNESS LIGHTWEIGHT	Two chest attachment D-rings and a dorsal attachment D-Ring Adjustable shoulder and thigh straps Shoulder and thigh straps differentiated by a dual colour scheme Ideally positioned sit strap for extended comfort (Cat A) <b>Certified to AS/NZ 1891.1</b>	\$125.00
SA41	FULL BODY HARNESS	Dorsal attachment D-Ring for fall arrest, two lateral D-Rings for work positioning Adjustable thigh straps, waist belt and shoulder straps Shoulder and thigh straps differentiated by a dual colour scheme Tool holder loops and rings at the back Ideally positioned sit strap for extended comfort (Cat A) <b>Certified to AS/NZ 1891.1</b>	\$159.00
SA42	FULL BODY HARNESS	Two chest attachment fall arrest loops and a dorsal attachment D-Ring for fall arrest, two lateral D-Rings for work positioning Adjustable thigh straps, waist belt and shoulder straps Shoulder and thigh straps differentiated by a dual colour scheme Tool holder loops and rings at the back Ideally positioned sit strap for extended comfort (Cat A) <b>Certified to AS/NZ 1891.1</b>	\$178.00

Safety Anchors provides a comprehensive range of full body Harnesses to suit most applications. Equipped with ergonomic and technically proficient features, they provide a comfortable and safer fit to the user.

LIGHTWEIGHT HARNESSES  
PREVENT OVER TAXING  
YOUR BODY

THE SAFETY ANCHORS ADVANTAGE  
All Harnesses are made from Dope-Dyed high tenacity polyester yarn, imparting increased resistance to UV colour degradation.



# ADVANCED FALL PROTECTION EQUIPMENT



## DELUXE HARNESS RANGE

CODE	ITEM	DESCRIPTION	PRICE (EXCL. GST) AUD\$
SA21/326	FULL BODY HARNESS WITH 2m LANYARD	Full Body Harness with 2m Lanyard attached via a Locktited Karabiner to provide a permanent connection. DESIGNED FOR THE HIRE INDUSTRY (Cat A)	\$180.00



## STANDARD LANYARD RANGE

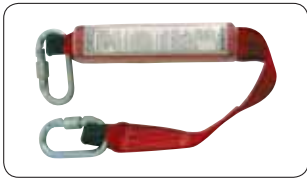



CODE	ITEM	DESCRIPTION	PRICE (EXCL. GST) AUD\$
SA300	ROPELINE ENERGY ABSORBER	The energy absorber cushion is made up of 44mm wide webbing and is shrink wrapped. In the event of a fall, the webbing inside the packing tears automatically, thereby reducing the impact force transmitted to the user to less than 6.0kN. (Cat A)	\$54.00
SA305	ENERGY ABSORBING ROPE LANYARD	2.0m with double action snap hooks at each end. (Cat A)	\$85.00
SA309	ENERGY ABSORBING ROPE LANYARD	2.0m with double action snap hook at one end and scaffold hook at the other. (Cat A)	\$98.00
SA320	2.5m POLE STRAP	2.5m Pole Strap with 2 x snap hooks and adjuster. (Cat A)	\$128.00



**INSPECTION & MAINTENANCE**  
AS/NZ 18791.4  
All Height Safety PPE must be subjected to a 6 monthly inspection. All equipment must be checked before use.





CODE	ITEM	DESCRIPTION	PRICE (EXCL. GST) AUD\$
SA321	ENERGY ABSORBING WEBBING LANYARD	600mm with Karabiner at each end. Designed to provide ease of use when using a rope grab on a ropeline connected to through this lanyard to the harness. (Cat A)	\$77.00
			
SA325	ENERGY ABSORBING WEBBING LANYARD	2.0m with double action snap hook at each end. (Cat A)	\$85.00
			
SA325E	ENERGY ABSORBING EXPANDABLE ELASTICATED WEBBING LANYARD	2.0m with double action snap hook at each end. As SA325 but elasticated. (Cat A)	\$130.50
SA326	ENERGY ABSORBING WEBBING LANYARD	2.0m with steel scaffold hook at one end and a karabiner at the other end. (Cat A)	\$86.60
			
SA329	ENERGY ABSORBING WEBBING LANYARD	2.0m with double action snap hook at one end and scaffold hook at the other. (Cat A)	\$98.00
			
SM330	SPREADER BAR ATTACHMENT	Spreader bar for attachment to confined space loops. (Cat A)	\$110.00



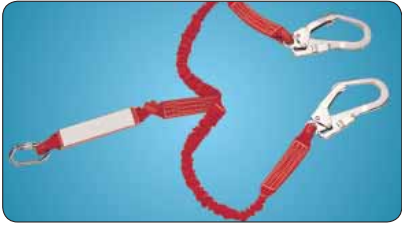




**INSPECTION & MAINTENANCE**  
AS/NZ 18791.4  
All Height Safety PPE must be subjected to a 6 monthly inspection. All equipment must be checked before use.




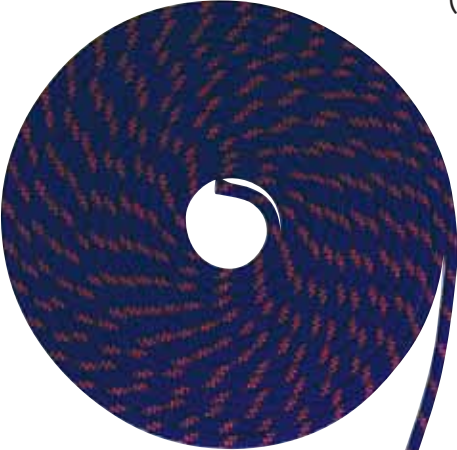



# ADVANCED FALL PROTECTION EQUIPMENT



## STANDARD LANYARD RANGE

CODE	ITEM	DESCRIPTION	PRICE (EXCL. GST) AU\$
SA361	ENERGY ABSORBING TWIN ACCESS WEBBING LANYARD	2.0m with steel scaffold hook at one end and a karabiner at the other. (Cat A)	\$125.00
			
SA371	ENERGY ABSORBING EXPANDABLE ELASTICATED TWIN ACCESS WEBBING LANYARD	2.0m with steel scaffold hook at one end and a karabiner at the other. (Cat A)	\$190.00
			
SA391	ENERGY ABSORBING EXPANDABLE ELASTICATED WEBBING LANYARD	2.0m with loops at each end and 2 karabiners. Hoops are protected from abrasion by protective sleeves (allows for direct connections). (Cat A)	\$130.50
			
SASLING	ANCHORAGE SLING	Round sling suitable for using as anchor. (Cat A)	\$20.00
			
SA805	ANCHOR STRAP	1.07m anchor strap. 44mm wide polyester webbing. (Cat A)	\$23.00
			

### ROPELINES/TEMPORARY STATICLINES & KITS

CODE	ITEM	DESCRIPTION	PRICE (EXCL. GST) AU\$
SA24220S	ROPE SAFETY LINE	Rope safety line, 20 metres x 14mm polyester fitted with locking snap hook one end, c/w manual rope adjuster. (Cat A)	\$230.00
			
SA24530S		As above but with 30m rope safety line. (Cat A)	\$295.00
SA200320S	BRAIDED ROPE SAFETY LINE	Braided rope safety line, 20 metres x 14mm polyester fitted with locking snap hook one end, c/w manual rope adjuster. (Cat A)	\$230.00
			
			
SA200330S		Braided rope safety line, 30 metres x 14mm polyester fitted with locking snap hook one end, c/w manual rope adjuster. (Cat A)	\$295.00
SA200340S		Braided rope safety line, 40 metres x 14mm polyester fitted with locking snap hook one end, c/w manual rope adjuster. (Cat A)	\$340.00
SA200350S		Braided rope safety line, 50 metres x 14mm polyester fitted with locking snap hook one end, c/w manual rope adjuster. (Cat A)	\$400.00
			
			



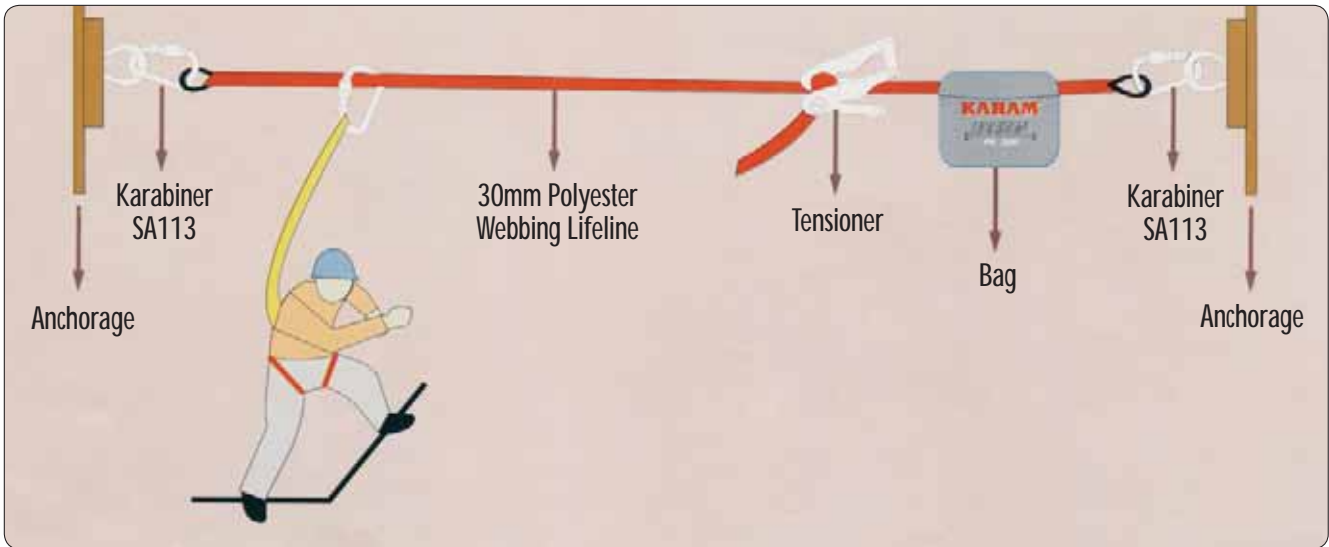
# ADVANCED FALL PROTECTION EQUIPMENT



## ROPELINES/TEMPORARY STATICLINES & KITS

CODE	ITEM	DESCRIPTION	PRICE (EXCL. GST) AU\$
SA3000	TEMPORARY HORIZONTAL ANCHORAGE LIFELINE 20m	Horizon SA3000 complete with ratchet tensioner and bag. (Two man system) (Cat A)	\$250.00













- The Horizon SA3000 is a Horizontal Anchorage Life Line made up of 30mm Polyester Webbing equipped with the KARAM Ratchet Tensioner that allows easy tensioning of the lifeline between two supports. Both the ends are provided with Auto Locking Steel Karabiners (Our Ref SA113)
- The whole system is supplied in a bag which is permanently attached to the assembly and also enables the user to easily carry the system with the help of the comfortable shoulder hanging straps provided in the bag.
- Once fitted, you can easily put back the extra webbing not deployed along the length, into the bag.
- Complies to EN 795 Class B
- Available Length: Total 20m  
Thus the user can use it for a length ranging from 5m to 20m.



## DELUXE KIT RANGE

CODE	ITEM	DESCRIPTION	PRICE (EXCL. GST) AU\$
SCAFFKIT	SCAFFOLDERS KIT	SA22 Harness with front fall arrest loops (lightweight) Anchor sling Multipurpose lanyard with scaffold hook and snap hook FREE carry bag (Cat A)	\$268.00



CODE	ITEM	DESCRIPTION	PRICE (EXCL. GST) AU\$
CONSKIT	CONSTRUCTION WORKERS KIT	SA22 Harness with front fall arrest loops (lightweight) SA325 2.0m shock absorbing lanyard NMINABSP 2.5m retractable lanyard Anchor sling FREE carry bag (Cat A)	\$398.00
   			
MULTKIT	MULTIPURPOSE KIT	SA22 Multipurpose harness with front fall arrest loops (lightweight) 20m rope safety line with snap hook and adjuster Karabiner (22kN) x 3 Anchor slings x 3 SA329 Multipurpose lanyard with scaffold hook and snap hook FREE carry bag (Cat A)	\$534.00
 			
TEMPKIT	TEMPORARY STATIC LINE KIT	Karabiner (22kN) x 5 Anchor sling x 3 18m Horizontal safety line FREE carry bag (Cat A)	\$360.00
 			
BASIKIT	BASIC ROOFERS KIT	SA22 Multipurpose harness with front fall arrest loops (lightweight) 20m rope safety line with snap hook and adjuster Karabiner (22kN) x 1 SA321 Shock absorber with karabiners at each end Anchor sling FREE carry bag (Cat A)	\$432.00
 			

# ADVANCED FALL PROTECTION EQUIPMENT








## DELUXE KIT RANGE

CODE	ITEM	DESCRIPTION	PRICE (EXCL. GST) AUD\$
SUPEKIT	SUPERIOR ROOFERS KIT	SA22 Multipurpose harness with front fall arrest loops (lightweight) 30m rope safety line with snap hook and adjuster Karabiner (22kN) x 3 SA321 Shock absorber with karabiners at each end Anchor sling x 3 TA305 Portable roof anchor x 3 FREE carry bags (Cat A)	\$940.00



## ACCESSORIES

CODE	ITEM	DESCRIPTION	PRICE (EXCL. GST) AUD\$
SA112	25kN KARABINER	25kN Karabiner (Cat A)	\$10.00
			
SA117	LOCKING KARABINER	Aluminium Quarter Turn Locking Karabiner 22kN (Cat A)	\$18.00
			
SA124	SNAP HOOK	18mm opening (Cat A)	\$15.00
			
SA141	ANCHORAGE HOOK	Anchorage Hook - 140mm - 23kN (Cat A)	\$62.50
SA142		Anchorage Hook - 110mm - 23kN (Cat A)	\$59.00
SA143		Anchorage Hook - 75mm - 23kN (Cat A)	\$55.90
			
SA131	SCAFFOLD HOOK	50mm opening (Cat A)	\$27.95
			





CODE	ITEM	DESCRIPTION	PRICE (EXCL. GST) AUD\$
SA132	LARGE SNAP HOOK	85mm opening (Cat A)	\$55.90
			
SA134	TYPE 1 FALL ARRESTOR	Works on 14mm to 16mm rope Double security locking system Removeable from line (Cat A)	\$135.00
			
			
SA136	SUSPENSION TRAUMA RELIEF STRAPS - PAIR	(Cat A)	\$26.00
			
			



# ADVANCED FALL PROTECTION EQUIPMENT



## RETRACTABLE TYPE FALL ARRESTORS & RESCUE DEVICES

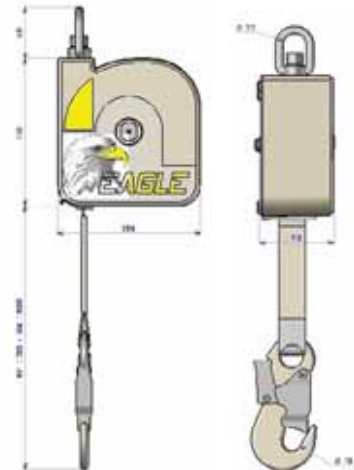
CODE	ITEM	DESCRIPTION	PRICE (EXCL. GST) AU\$
NMINABSP	RETRACTING LANYARD	Retracting lanyard 2.5m with shock absorber and double action hook Nylon webbing 48mm (Cat B)	\$196.00



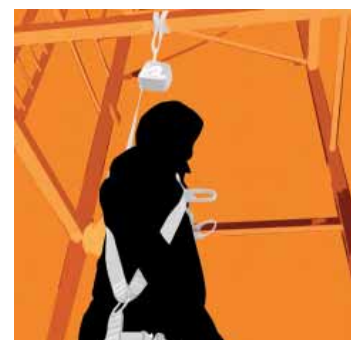
EAGLE	RETRACTABLE FALL ARRESTOR	Retractable fall arrestor 6m polyester webbing 25mm Certified to EN360 (Cat B)	\$642.00
-------	---------------------------	---	----------



### TECHNICAL SPECIFICATIONS



- Housing: Aluminium
- Weight: 2.2 kg
- Closing system: Steel safety screws
- Locking system: 2 stainless steel pawls
- Drop indicator: Red tape showing on web
- Fall arrest distance: < 50 cm
- Maxi braking force: < 300 daN with inside shock absorber
- Minimum clearance: 3 m

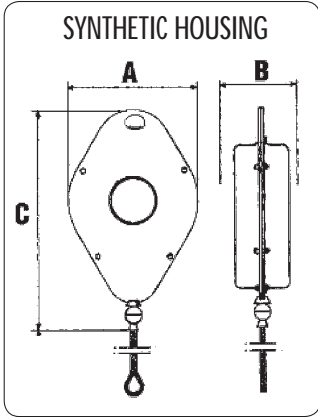


CODE	ITEM	DESCRIPTION	PRICE (EXCL. GST) AU\$
NCS10	RETRACTABLE FALL ARRESTOR 10m	10m retractable cable fall arrestor Galvanised cable 4mm diameter Synthetic housing (Cat B)	\$866.00



**INSPECTION, MAINTENANCE & RECERTIFICATION AS/NZ 1891.4**  
All Retractable Fall Arrestors and Rescue Equipment must be checked, inspected and recertified every 12 months.

NCS15	RETRACTABLE FALL ARRESTOR 15m	15m retractable cable fall arrestor Galvanised cable 5mm diameter Synthetic housing Horizontally Tested (Cat B)	\$1116.00
-------	-------------------------------	--	-----------



NCS20	RETRACTABLE FALL ARRESTOR 20m	20m retractable cable fall arrestor Galvanised cable 5mm diameter Synthetic housing Horizontally Tested (Cat B)	\$1257.00
-------	-------------------------------	--	-----------



### TECHNICAL DATA

Reference	A	B	C	Type of lanyard	Length (m)	Weight (kg)
NCS5	200	83	320	GALVANIZED CABLE Ø 4 mm	5	4.5*
NCS10	200	83	320	GALVANIZED CABLE Ø 4 mm	10	4.8
NCS5 SAN	200	83	320	POLYESTER WEBBING 25 mm	5	4.0*
NCS7 SAN	200	83	320	POLYESTER WEBBING 25 mm	7	4.2*
NCS15	250	120	350	GALVANIZED CABLE Ø 5 mm	15	9.0
NCS20	250	120	350	GALVANIZED CABLE Ø 5 mm	20	9.5

REF NCS15 ET NCS20 HORIZONTALLY TESTED



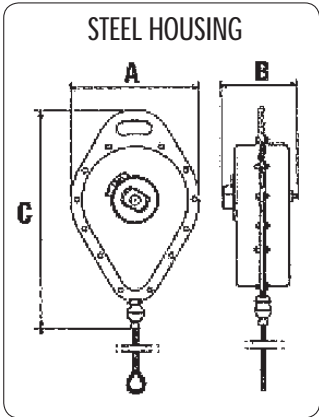

**Housing:** High resistance synthesis material with fibreglass  
**Closing System:** Stainless steel safety screws  
**Locking System:** Centrifugal force with 2 pawls  
**Static Resistance:** > 12 kN  
**Drop Indicator:** Integrated red drop indicator triggering at 200 daN  
**Unwinding Speed:** 70 m/min  
**Fall Arrest Distance:** < 1 m  
**Maxi Braking Force:** Less than 600 daN through integrated shock absorber  
**Top Connector:** Screw gate connector opening 17mm - R > 20 kN  
**Bottom Connector:** Automatic swivel connector opening 20 mm - R > 20 kN

\* NON STOCK ITEMS





## RETRACTABLE TYPE FALL ARRESTORS & RESCUE DEVICES

CODE	ITEM	DESCRIPTION	PRICE (EXCL. GST) AU\$
NS10	RETRACTABLE FALL ARRESTOR	10m retractable cable fall arrestor Galvanised cable 4mm diameter Steel housing (Cat B)	\$1082.00
			
NS15	RETRACTABLE FALL ARRESTOR	15m retractable cable fall arrestor Galvanised cable 4mm diameter Steel housing (Cat B)	\$1181.00
			
			
NS20	RETRACTABLE FALL ARRESTOR	20m retractable cable fall arrestor Galvanised cable 4mm diameter Steel housing (Cat B)	\$1405.00
			

### TECHNICAL DATA

Reference	A	B	C	Type of lanyard	Length (m)	Weight (kg)
NS 5	188	115	290	CABLE GALVA Ø 4 mm	5	5*
NS 10	188	115	290	CABLE GALVA Ø 4 mm	10	5.3
NS 15	245	132	378	CABLE GALVA Ø 4 mm	15	10
NS 20	245	132	378	CABLE GALVA Ø 4 mm	20	11

**Housing:** Corrosion treated steel  
**Closing System:** Pop rivets with safety seal  
**Locking System:** 2 independent pawls + ratchet wheel  
**Static Resistance:** > 12 kN  
**Drop Indicator:** Optional on connector  
**Unwinding Speed:** 20 m/min  
**Fall Arrest Distance:** < 1 m  
**Braking Force:** Less than 600 daN through integrated shock absorbing system

\* NON STOCK ITEMS

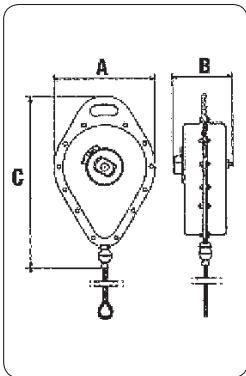


CODE	ITEM	DESCRIPTION	PRICE (EXCL. GST) AU\$
NC15TS	RESCUE WINCH	Retractable 15m fall arrestor with rescue winch Steel housing To operate rescue winch, use the mode selector knob located at the back of the unit (Cat F)	\$2537.00



**INSPECTION, MAINTENANCE & RECERTIFICATION AS/NZ 1891.4**  
All Retractable Fall Arrestors and Rescue Equipment must be checked, inspected and recertified every 12 months.

NC30TS	RESCUE WINCH	As above, with 30m cable (Cat F)	\$3718.60
--------	--------------	-------------------------------------	-----------



### TECHNICAL DATA

Reference	A	B	C	Type of lanyard	Length (m)	Weight (kg)
NS15TS	245	185	515	GALVANIZED CABLE Ø 4.5 mm	15	15
NS20TS	285	185	600	GALVANIZED CABLE Ø 4.5 mm	20	20*
NS30TS	285	185	600	GALVANIZED CABLE Ø 4.5 mm	20	22

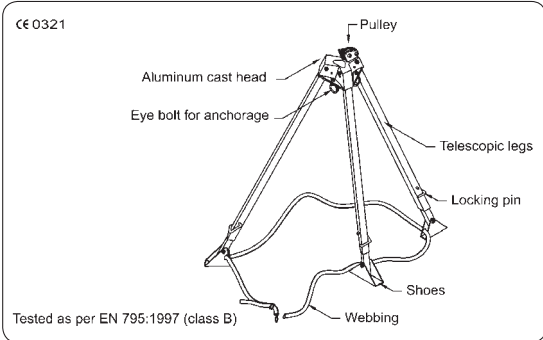
Housing: Corrosion treated steel  
Screws: Steel screws with safety seal  
Locking System: With 2 pawls  
Static Resistance: > 12 kN  
Connector: Automatic swivel connector  
Unwinding Speed: 20 m/min  
Fall Arrest Distance: < 1 m  
Maxi Braking Force: Less than 600 daN through integrated shock absorber  
Capacity: 30 kg to 130 kg  
Rescue Winch: Lowering and lifting

\* NON STOCK ITEMS

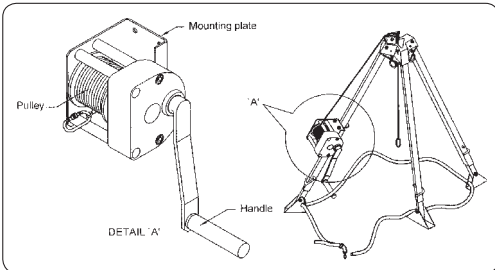


## RETRACTABLE TYPE FALL ARRESTORS & RESCUE DEVICES

CODE	ITEM	DESCRIPTION	PRICE (EXCL. GST) AUD\$
SAPN800	TRIPOD	<p>For access in to confined spaces                      Weight: 12.150kg +/-10%                      Comes with bracket for winch and carry bag                      (Cat A)</p> <p><b>DESIGN:</b></p> <ul style="list-style-type: none"> <li>Adjustable height from 1.35m to 2.15m from ground level</li> <li>At minimum height, distance between legs (foot point): 0.8m</li> <li>At maximum height, distance between legs (foot point): 1.5m</li> <li>Adjustment achieved by sliding telescopic legs (Inner &amp; Outer)</li> <li>Locking pins attached by cables</li> <li>Securely connected two eyebolts to be used for connection to personal protective equipment</li> <li>A pulley system provided for steel cable guiding in case a winch is used in the system</li> </ul> <p><b>TRIPOD LEGS:</b></p> <ul style="list-style-type: none"> <li>Material: Prime quality aluminum alloy</li> <li>Section: Outer 44 mm x 44 mm (wall thickness 2.4 mm)                      Inner 37.5 mm x 37.5 mm (wall thickness 3.0 mm)</li> </ul> <p><b>CAST HEAD:</b></p> <ul style="list-style-type: none"> <li>Material: Prime quality aluminum alloy</li> <li>Casting: Gravity die casted</li> </ul> <p><b>EYE BOLT &amp; LOCKING PINS:</b></p> <ul style="list-style-type: none"> <li>Material: Forged carbon steel</li> <li>Plating: Zinc plated</li> <li>Finish: Deburred &amp; Polished</li> </ul>	\$1152.00



SAPN801	RESCUE WINCH	<p>To be used for raising or lowering of personnel or material in to confined spaces                      Lifting capacity 125kg                      Length 20m                      (Cat A)</p> <p><b>DESIGN:</b></p> <ul style="list-style-type: none"> <li>Material or man lifting rescue winch</li> <li>Mounting plate having four bolts for mounting to tripod leg or other support as required</li> <li>Not to be used for fall arrest</li> <li>Galvanised steel cable of 05.0mm &amp; length 20m maximum</li> <li>Equipped with steel screw locking Karabirrer as connector</li> <li>Handle rotating mechanism for lifting or lowering</li> <li>Material: Galvanised steel body                      ABS moulded cover &amp; beam for wire winding</li> </ul> <p><b>BODY:</b></p> <p><b>RATED LOAD CAPACITY:</b></p> <ul style="list-style-type: none"> <li>125 kgs</li> </ul> <p><b>WEIGHT:</b></p> <ul style="list-style-type: none"> <li>7.5kg±5%</li> </ul>	\$1183.00
---------	--------------	---	-----------










SAPN904	TRIPOD BAG	<p>Allows for easy transportation of Tripod                      (Cat A)</p>	\$93.00
---------	------------	--	---------



Contact us for your COMPLETE PACKAGE PRICE, including the ENGINEERED DESIGN applicable to your project!





CODE	ITEM	DESCRIPTION	PRICE (EXCL. GST) AU\$
NADP15	FIXING BRACKET	Tripod fixing bracket for NS15TS retractable fall arrestor with rescue device that adapts to most tripods (Cat F)	\$328.00
			
NADP30	FIXING BRACKET	Tripod fixing bracket for NS30TS retractable fall arrestor with rescue device that adapts to most tripods (Cat F)	\$328.00
NPOUT	CABLE RETURN PULLEY	For use with NS15TS or NS30TS (Cat B)	\$137.00
			
SA4000S	PULLEY SYSTEM	Rescue Pulley System, Kernmantle Rope. 50m 2 x K1 Karabiners, E2000 x 2 Round Sling. Other lengths available on request. This rescue/access pulley system with a 4.1 mechanical advantage features an auto locking brake mechanism should the control rope be released. Can be locked off for prolonged suspension, be self operated or by a second person. (Cat E)	\$1612.00
			
SACFSK	CONFINED SPACE KIT	SAPN800 Tripod SAPN801 Winch SAPN904 Bag SA330 Spreader Bar SA23 Harness (Cat A)	\$2588.00
			
			

# ADVANCED FALL PROTECTION EQUIPMENT



## RESCUE EQUIPMENT

CODE      ITEM      DESCRIPTION      PRICE (EXCL. GST) AU\$

M40      CONFINED SPACE KIT



Includes:  
M40 LEL, O2, H2S, CO gas monitor  
SP40 sampling pump + 10 feet sampling tube  
34L CAL gas + regulator  
CAL adaptor and maintenance tool  
Nylon instrument and pump carry case  
240 volt charger and manual

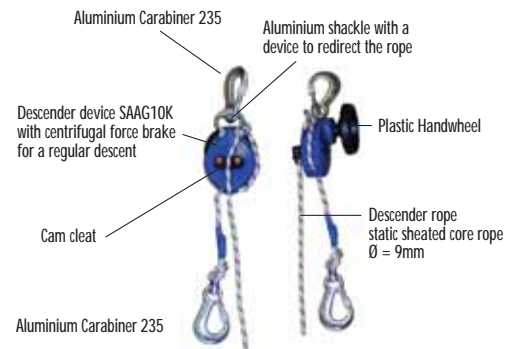
\$P.O.A.

SAAG10K      DECENT DEVICE  
HUBA



15m Rope  
Device class: A  
Permitted descent height: max. 200m  
Permitted descent height for  
2 persons: max. 125m  
Max. descent load: 150kg  
Max. descent load for 2 persons: 225kg  
Descent speed: 0,7m/s  
(Cat F)

\$1503.65

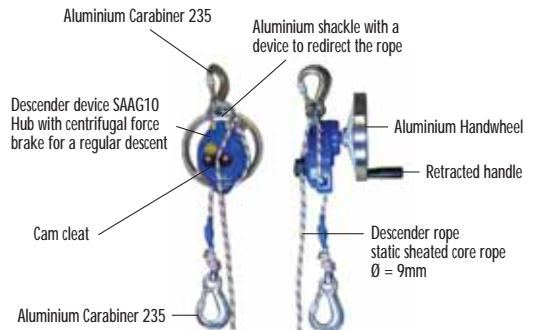


SAAG10      RESCUE DEVICE  
HUBA



50m Rope  
Device class: A  
Permitted descent height: max. 400m  
Permitted descent height for  
2 persons: max. 100m  
Max. descent load: 150kg  
Max. descent load for 2 persons: 225kg  
Descent speed: 0,7 m/s  
(Cat F)

\$2081.60



SAAG10      RESCUE KIT  
HUBARK








SAAG10HUBA  
50m Rope  
Rescue Lock Rope Grab  
Karabiner  
Edge Protector  
Bag  
(Cat F)

\$2386.00

Contact us for your  
COMPLETE PACKAGE  
PRICE, including the  
ENGINEERED DESIGN  
applicable to  
your project!



CODE	ITEM	DESCRIPTION	PRICE (EXCL. GST) AU\$
SAGOTCHA	GOTCHA POST FALL RESCUE KIT	50m Rope (Cat E)	\$2995.00
			
SA1100S BLUE	FULL BODY HARNESS	Full body harness with rear D, Confined space loops on shoulders, fully adjustable padded leg straps and shoulder/back straps, with easyflow sweat absorbing mesh and foam composite padding. Fitted with suspension trauma relief straps. Suitable for fall arrest and confined space entry. (Cat E)	\$382.50
			
SA1104S BLUE	FULL BODY HARNESS	Full body harness with rear D, Confined space loops on shoulders, front attachment loops, fully adjustable padded leg straps and shoulder/back straps, with easyflow sweat absorbing mesh and foam composite padding. Fitted with suspension trauma relief straps. Suitable for fall arrest, confined space entry, roof and rescue work. (Cat E)	\$427.50
			
SA1107S BLUE	FULL BODY HARNESS	Full body harness with rear D, Confined space loops on shoulders, front attachment loops, fully adjustable padded leg straps and shoulder/back straps, with easyflow sweat absorbing mesh and foam composite padding. Padded comfort waist belt with side Ds. Fitted with suspension trauma relief straps. Suitable for fall arrest, confined space entry, roof and rescue work, pole and restraint work. (Cat E)	\$472.50
			
			



## THE SAFETY ANCHOR SYSTEM

# THE *Safety Anchor*

*Your ultimate source of stability and security*

Safety Anchors are excited to introduce our enhanced range of innovative anchors. "Safety Anchor" will incorporate superior energy absorbing properties aligned with easier modes of installation. This, when coupled with an improved design, incorporates an even better valued product offering.

**UP TO  
88% ENERGY  
REDUCTION**



All anchors comply with the requirements of AS/NZS 1891.4 clause 9.3.3 and is in accordance with the current code(s) of practice(s) for working at heights.

Patent Pending

- 316 stainless steel drop forged eyebolt (no welding).
- Stainless Steel componentry.
- Patented dual bending action, facilitating unparalleled energy absorption.
- Comprehensive testing has proven up to 88% energy absorption capacity.
- Improved quality control process for peace of mind:
  - Tested to Australian Standards;
  - Quality Endorsed Company.
- Quality of service:
  - Continuation of design and consultancy services;
  - Comprehensive training services;
  - Australia/NZ wide distribution and installation services.
- Improved installation methods, affording simplicity and practicality.
- Improved flashing/sealing mechanism (DEKTITE™) - no roof leaks.

Safety Anchors has maintained its strong position in the market place by offering customised solutions, and by the use of industry best practice to support and provide a high level of service.

Our commitment to continual improvement initiatives has resulted in a revision and evaluation of our anchor range.

The dual bending motions of our new, innovative "Safety Anchor" eyebolt (patent pending) enables it to use up superior amounts of energy, thereby reducing the forces exerted to the attachment point on the structure. Comprehensive testing has proved up to 88 percent energy absorption.

The "Safety Anchor" integrated systems approach is supported by a family of products, tailored to the specific requirements of individual site applications.

CODE      ITEM      DESCRIPTION      PRICE (EXCL. GST) AU\$

PA211      PURLIN FIX ANCHOR



The Purlin Fix Anchor is used on metal roofing/steel purlin structure when there is access to the underside of the purlin. Provides minimal penetration to the roof.

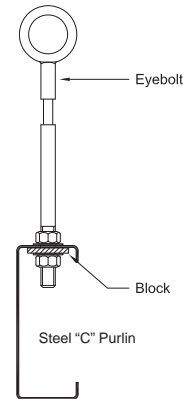
Tested to AS/NZ1891.4

316 Marine Grade Stainless Steel

Rated at 24kN

• For more information refer to Technical Bulletin

(Cat C)



\$121.00

PA211E      PURLIN FIX ANCHOR

As above but base is **E-COATED**. (Cat C)

\$113.00

RA201      RETRO FIX ANCHOR



This product is unequalled when there is little or no access to the underside of roof, when fixing to metal roof/steel purlin structures and prevents the user from losing control of the product and allowing it to become a falling object.

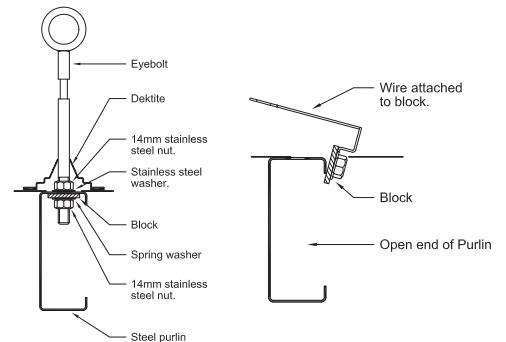
Tested to AS/NZ1891.4

316 Marine Grade Stainless Steel

Rated at 24kN

• For more information refer to Technical Bulletin

(Cat C)



\$129.00

RA201E      RETRO FIX ANCHOR

As above but base is **E-COATED**. (Cat C)

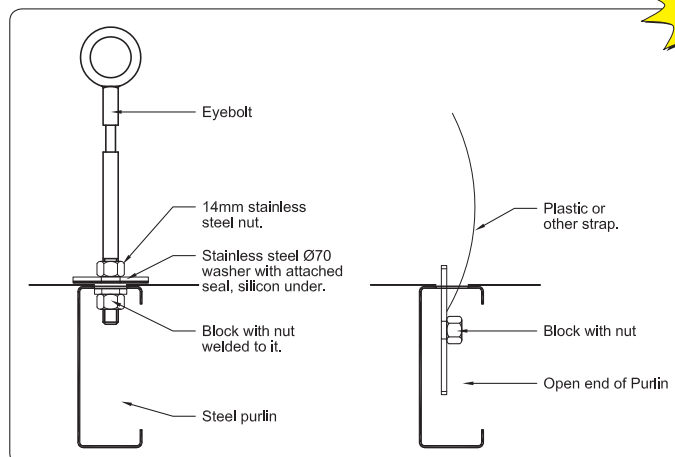
\$117.00

**NEW**

RA202E      EZY FIT RETRO FIX ANCHOR

This product is used on metal roofing/steel purlin structures. Very easy to fit, although consideration must be taken to locate the centre of the purlin to prevent any weakening of the structure. Base is **E-COATED**. (Cat C)

\$117.00



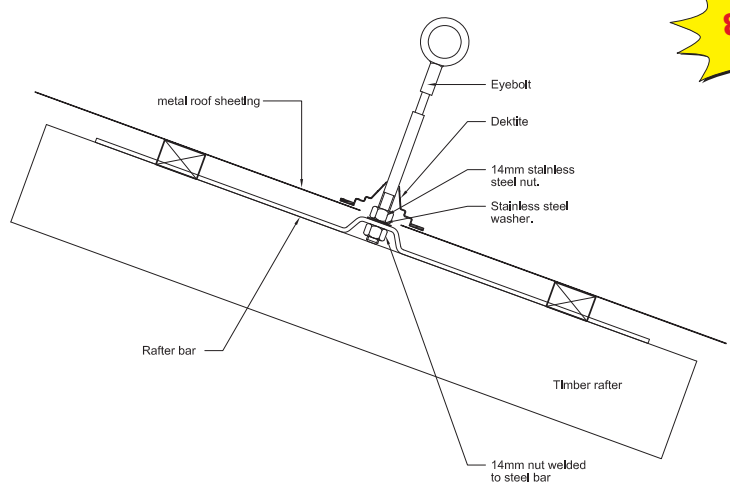
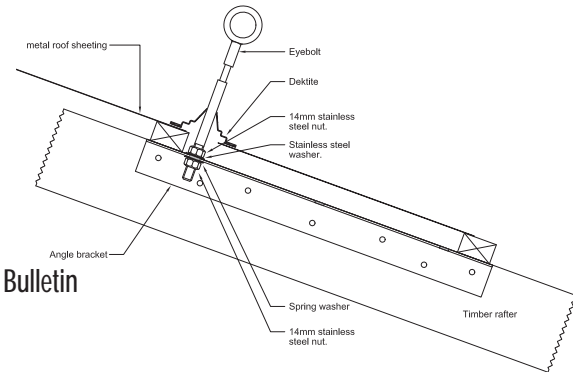
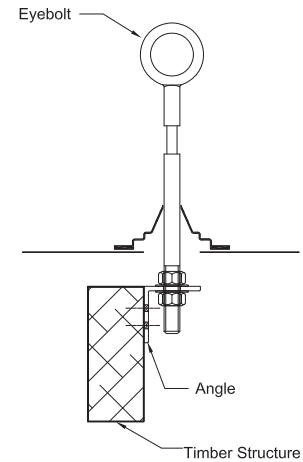
**UP TO 88% ENERGY REDUCTION**



# THE "SAFETY ANCHOR"


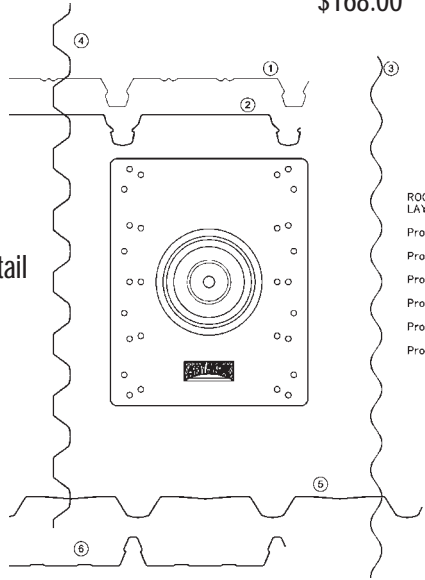

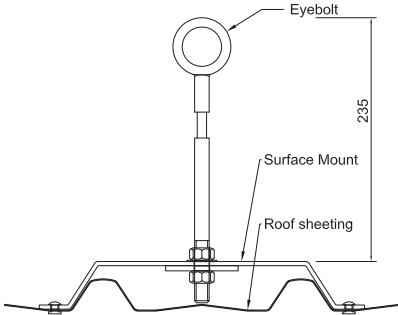

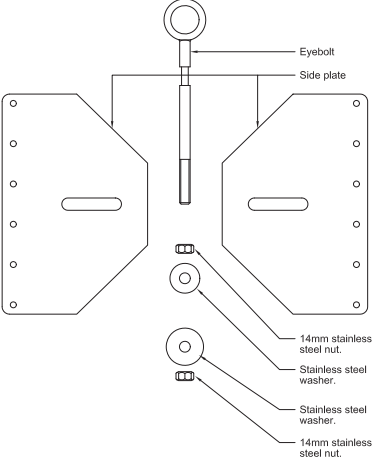


CODE	ITEM	DESCRIPTION	PRICE (EXCL. GST) AU\$
TA101	STAINLESS STEEL TIMBER FIX ANCHOR	<p>Timber Fix Anchor is used when the structure is metal/tiled/timber, where there is easy access below the roof. Affords an easy means of attachment to timber.</p> <p>Can also be used with tile on timber.</p> <p>Tested to AS/NZ1891.4</p> <p>316 Marine Grade Stainless Steel</p> <p>Rated at 24kN</p> <ul style="list-style-type: none"> <li>For more information refer to Technical Bulletin (Cat C)</li> </ul>	\$170.00
TA101E	TIMBER FIX ANCHOR	<p>As above but base is <b>E-COATED</b>. (Cat C)</p>	\$147.00
RA201	RIDGE FIX ANCHOR	<p>Ridge Fix Anchor is used when mounting on ridge with tile/timber construction.</p> <p>Tested to AS/NZ1891.4</p> <p>316 Marine Grade Stainless Steel</p> <p>Rated at 24kN</p> <ul style="list-style-type: none"> <li>For more information refer to Technical Bulletin (Cat C)</li> </ul>	\$170.00
RA201E	RIDGE FIX ANCHOR	<p>As above but base is <b>E-COATED</b>. (Cat C)</p>	\$147.00
TA301	TIMBER TOPFIX ANCHOR	<p>Timber Topfix Anchor is used when the structure is tile/timber construction with easy access. (Cat C)</p>	\$160.00



**UP TO 88% ENERGY REDUCTION**



CODE	ITEM	DESCRIPTION	PRICE (EXCL. GST) AU\$
SM300	PRESSED MOUNT	<p>Top fix anchor fits most metal roof profiles.</p> <p>Tested to AS/NZ1891.4</p> <p>Stainless Steel</p> <p>Rated at 24kN</p> <ul style="list-style-type: none"> <li>For more information refer to technical detail</li> <li>Includes fixings</li> </ul> <p>(Cat C)</p>	\$168.00
			
		 <p>ROOF PROFILE AND HOLE LAYOUT</p> <ul style="list-style-type: none"> <li>Profile 1 Kiplok 500</li> <li>Profile 2 Kiplok 700</li> <li>Profile 3 Custom Orb</li> <li>Profile 4 Spandek</li> <li>Profile 5 Trimdek</li> <li>Profile 6 Kiplok 406</li> </ul>	
SM301	SURFACE ANCHOR (1 PIECE)	<p>Surface Anchor is a surface mounted anchor, fitted directly to steel roof profile, where access to timber structure is difficult.</p> <p>Tested to fall arrest capabilities.</p> <p>Tested to AS/NZ1891.4</p> <p>316 Marine Grade Stainless Steel</p> <p>Rated at 24kN</p> <ul style="list-style-type: none"> <li>For more information refer to Technical Bulletin</li> <li>Product can be designed for different profiles as shown</li> <li>Includes fixings</li> </ul> <p>(Cat C)</p>	\$180.00
			
			
SM302	SURFACE MOUNT ANCHOR (2 PIECE)	<p>Surface Mount Anchor is a surface mounted anchor, fitted directly to steel roof profile, where access to timber structure is difficult.</p> <p>Tested to fall arrest capabilities.</p> <p>Tested to AS/NZ1891.4</p> <p>316 Marine Grade Stainless Steel</p> <p>Rated at 24kN</p> <ul style="list-style-type: none"> <li>For more information refer to Technical Bulletin</li> <li>Product can be designed for different profiles</li> <li>Includes fixings</li> </ul> <p>(Cat C)</p>	\$180.00
			
			



# THE "SAFETY ANCHOR"



CODE	ITEM	DESCRIPTION	PRICE (EXCL. GST) AU\$
------	------	-------------	------------------------

SM303 SURFACE MOUNT INTERMEDIATE POST



Surface Mount Intermediate Post is a surface mounted post, fitted directly to steel roof, where access to structure is difficult. Can be adapted to many life line systems. \$183.00

Tested to AS/NZ1891.4

316 Marine Grade Stainless Steel

Rated at 24kN

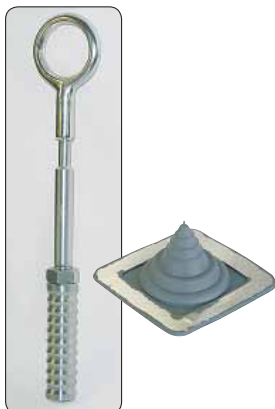
- For more information refer to Technical Bulletin
- Product can be designed for different profiles
- Includes fixings

(Cat C)

**UP TO 88% ENERGY REDUCTION**



CA401 CONCRETE FIX ANCHOR



Concrete Fix Anchor is used when anchors are required to be chemically fastened into concrete.

Tested to AS/NZ1891.4

316 Marine Grade Stainless Steel

Rated at 22kN

(Cat C)

\$129.00

Contact us for your COMPLETE PACKAGE PRICE, including the ENGINEERED DESIGN applicable to your project!



CA401G CONCRETE FIX ANCHOR

As above but base is CAD COATED. For internal use only. Can be used for external temporary applications.

(Cat C)

\$108.00

**NEW**

ACA800E ABSEIL PROTECTOR BRACKET


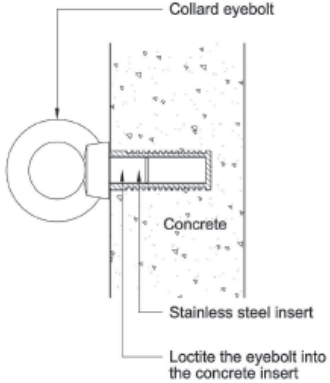


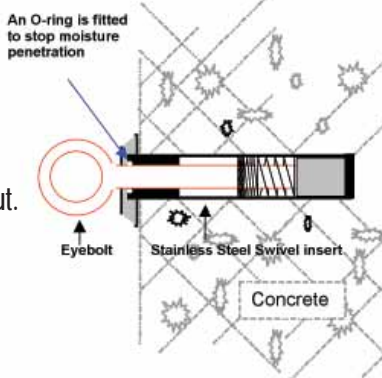

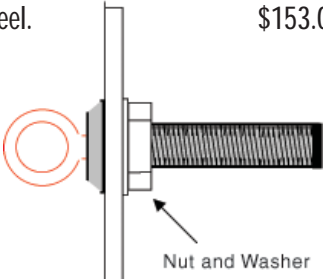


Designed to protect the gutter when abseiling. Powder coated to roof colour. E-coated metal with stainless steel U-bolts.

(Cat C)


\$115.00

INSPECTION, MAINTENANCE & RECERTIFICATION AS/NZ 1891.4 All Anchorages, Horizontal Rails, Access Systems, Horizontal and Vertical Lifelines and Safety Nets must be subjected to a 12 monthly inspection and recertification. All Anchorages must be checked before use.

CODE	ITEM	DESCRIPTION	PRICE (EXCL. GST) AU\$
CA402	CONCRETE FIX ANCHOR	<p>Concrete Fix Anchor is used when anchors are required to be chemically fastened into concrete.</p> <p>Tested to AS/NZ1891.4 316 Marine Grade Stainless Steel Rated at &gt;24kN</p> <ul style="list-style-type: none"> <li>For more information refer to Technical Bulletin</li> </ul> <p><b>WARNING:</b> Ensure this product is not installed in direct pullout. Refer to AS/NZ1891.4.</p> <p>(Cat C)</p>	\$63.00
			
CA402G	CONCRETE FIX ANCHOR	<p>As above but base is ZINC COATED. For internal use only. Can be used for external temporary applications. (Cat C)</p>	\$42.00
CA400	VARIABLE CONCRETE FIX ANCHOR	<p>Variable Concrete Fix Anchor is used when anchors are required to be chemically inserted into concrete where the concrete is covered in pebbles.</p> <p>Standard size is 200mm above concrete.</p> <p><b>WARNING:</b> Ensure this product is not installed in direct pullout. Refer to AS/NZ1891.4.</p> <p>(Cat C)</p>	\$112.00
			
CA403	SWIVEL ANCHOR	<p>Swivel Anchor is used when the structure is concrete and requires an anchor that can rotate 360°.</p> <p>Tested to AS/NZ1891.4 316 Marine Grade Stainless Steel Rated at 15kN</p> <p><b>WARNING:</b> Ensure this product is not installed in direct pullout. Refer to AS/NZ1891.4.</p> <p>(Cat C)</p>	\$136.00
			
CA404	SWIVEL ANCHOR STEEL	<p>As above with addition of nut for fixing through steel. (Cat C)</p>	\$153.00
			

# THE "SAFETY ANCHOR"

CODE	ITEM	DESCRIPTION	PRICE (EXCL. GST) AU\$
CAENG	ENGINEERED CONCRETE ANCHOR	Designed for overhead applications where a standard anchorages are in direct pull out.  (Cat C)	\$95.00
CAENGE	ENGINEERED CONCRETE ANCHOR	Design as above, but is <b>E-COATED</b> steel. (Cat C)	\$75.00
CA405	CONCEALED FIX ANCHOR	Used when an unobtrusive anchor is required for cleaning windows etc., where a risk of a fall exists. Can be fitted to concrete and steel column structures.  Tested to AS/NZ1891.4  Rated at 15kN  • For more information refer to Technical Bulletin  (Cat C)	\$232.50
CA450	COLLARED EYEBOLT	Collared eyebolt  (Cat C)	\$21.70
CA460	CONCRETE INSERT ONLY WITH BRASS CAP	Insert only with brass cap. Enabling eyebolt to be removed and replaced with brass cap. Avoids potential problems associated with trip hazzards as brass caps and insert sit flush with surface.  (Cat C)	\$85.00

CODE	ITEM	DESCRIPTION	PRICE (EXCL. GST) AU\$
CA465	CONCRETE INSERT, BRASS CAP & COLLARED EYEBOLT	Insert, brass cap and collared eyebolt. (Cat C) <div style="display: flex; align-items: center; margin-top: 10px;">  </div>	\$102.20
CA465G	CONCRETE INSERT, BRASS CAP & COLLARED EYEBOLT	As above, when concrete insert is ZINC COATED. For internal use only. Can be used for external temporary applications. (Cat C)	\$84.00
CA470	CONCRETE INSERT ONLY WITH GRUB SCREW	Insert only with grub screw. Enabling eyebolt to be removed and replaced with grub screws. Avoids potential problems associated with trip hazards as grub screw and insert sit flush with surface. (Cat C) <div style="margin-top: 20px;">  </div>	\$49.00
CA470G	CONCRETE INSERT ONLY WITH GRUB SCREW	As above, when concrete insert is ZINC COATED. For internal use only. Can be used for external temporary applications. (Cat C)	\$35.00
CA472	CONCRETE FERULE/INSITUE ANCHOR	Used to prevent direct pullout situations as it becomes part of the formed slab. Can be designed for each application. (Cat C) <div style="margin-top: 20px;">  </div>	\$105.00

**INSPECTION, MAINTENANCE & RECERTIFICATION AS/NZ 1891.4**  
 All Anchorages, Horizontal Rails, Access Systems, Horizontal and Vertical Lifelines and Safety Nets must be subjected to a 12 monthly inspection and recertification. All Anchorages must be checked before use.





# THE "SAFETY ANCHOR"

CODE	ITEM	DESCRIPTION	PRICE (EXCL. GST) AUD\$
CA475	CONCRETE INSERT, GRUB SCREW & COLLARED EYEBOLT	Concrete insert, grub screw and collared eyebolt (Cat C)	\$70.70
CA475G	CONCRETE INSERT, GRUB SCREW & COLLARED EYEBOLT	As above, when Concrete Insert is ZINC COATED. For internal use only. Can be used for external temporary applications. (Cat C)	\$56.00
ARA250	ABSEIL RETRO FIX	Abseil Retro Fix is unique and is used when there is little or no access from the underside when fixing to metal roof/steel purlin structures.  Tested to AS/NZ1891.4  316 Marine Grade Stainless Steel  (Cat C)	\$129.00
ARA250E	ABSEIL RETRO FIX	As above but base is <b>E-COATED</b> . (Cat C)	<b>\$117.00</b>
ATA150	ABSEIL TIMBER ANCHOR	Abseil Timber Anchor is used when the structure is tile/timber construction with easy access.  (Cat C)	\$170.00
ATA150E	ABSEIL TIMBER ANCHOR	As above but base is <b>E-COATED</b> . (Cat C)	<b>\$146.89</b>

CODE	ITEM	DESCRIPTION	PRICE (EXCL. GST) AU\$
ACA450	ABSEIL CONCRETE FIX ANCHOR	<p>Abseil Concrete Fix Anchor is used when anchors are required to be chemically fastened into concrete.</p> <p>Tested to AS/NZ1891.4</p> <p>316 Marine Grade Stainless Steel</p> <p>(Cat C)</p>	\$129.00
ACA450G	ABSEIL CONCRETE FIX ANCHOR	<p>As above but base is ZINC COATED. For internal use only. Can be used for temporary external applications. (Cat C)</p>	\$118.00
IP501	INTERMEDIATE RETRO FIX ANCHOR	<p>Intermediate Retro Fix can be used as an intermediate post that can be adapted to many lifeline systems when there is little or no access from the underside when fixing to metal roof/steel purlin structures.</p> <p>Tested to AS/NZ1891.4</p> <p>316 Marine Grade Stainless Steel</p> <p>Rated to 24kN</p> <p>(Cat C)</p>	\$118.00
IP501E	INTERMEDIATE RETRO FIX ANCHOR	<p>As above but base is E-COATED. (Cat C)</p>	\$80.00
IP502	INTERMEDIATE TIMBER FIX ANCHOR	<p>Intermediate Timber Fix Anchor can be used as an intermediate post that can be adapted to many lifeline systems when fixing to timber structures.</p> <p>Tested to AS/NZ1891.4</p> <p>316 Marine Grade Stainless Steel</p> <p>Rated to 24kN</p> <p>(Cat C)</p>	\$140.00
IP502E	INTERMEDIATE TIMBER FIX ANCHOR	<p>As above but base is E-COATED. (Cat C)</p>	\$108.00

# THE "SAFETY ANCHOR"



CODE	ITEM	DESCRIPTION	PRICE (EXCL. GST) AU\$
IP503	INTERMEDIATE CONCRETE FIX ANCHOR	<p>Intermediate Concrete Fix Anchor can be used as an intermediate post that can be adapted to many lifeline systems when fixing to concrete structures.</p> <p>Tested to AS/NZ1891.4</p> <p>316 Marine Grade Stainless Steel</p> <p>Rated to 24kN</p> <p>(Cat C)</p>	\$116.00
			<b>UP TO 88% ENERGY REDUCTION</b>
IP503G	INTERMEDIATE CONCRETE FIX ANCHOR	<p>As above but base is ZINC COATED. For internal use only. Can be used for temporary external applications. (Cat C)</p>	\$82.00
SP601	SPACER FIX	<p>Spacer Fix is used when fixing to double brick walls or through masonry.</p> <p>Tested to AS/NZ1891.4</p> <p>316 Marine Grade Stainless Steel</p> <p>Rated at 15kN</p> <p>(Cat C)</p>	\$161.00
SW602	SANDWICH FIX	<p>Sandwich Fix is used for sandwich panel (cool room panel).</p> <p>Tested to AS/NZ1891.4</p> <p>316 Marine Grade Stainless Steel</p> <p>Rated at 15kN</p> <p>(Cat C)</p>	\$161.00
RAS100	ROOF ACCESS SIGN	<p>Metal Roof Access Sign. (Cat C)</p>	\$21.00

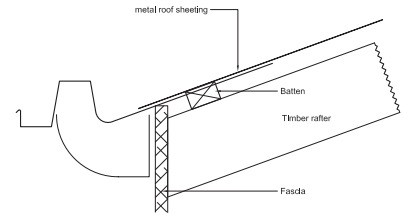
Contact us for your COMPLETE PACKAGE PRICE, including the ENGINEERED DESIGN applicable to your project!

CODE	ITEM	DESCRIPTION	PRICE (EXCL. GST) AU\$
------	------	-------------	------------------------

LB801	LADDER BRACKET	Ladder Bracket is a permanent fitting, designed to support a ladder, stopping sideways movement. Also has a securing point to tie off ladder and thus provide a safe access point. Can be designed for fascia mounted applications.	\$196.00
-------	----------------	---	----------



(Cat C)



PLB802	PORTABLE LADDER BRACKET	Portable Ladder Bracket fits directly to the ladder and is constructed from lightweight aluminium. Designed to be a mobile solution for ladder safety.	\$133.00
--------	-------------------------	--	----------



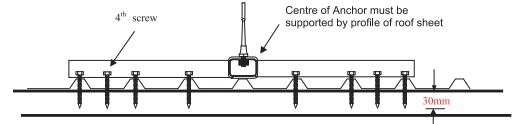
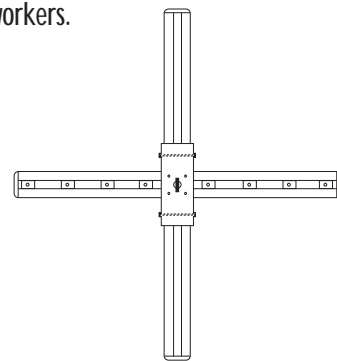
(Cat C)

TA303	TEMPORARY ANCHOR	Temporary Anchor is a temporary anchor for use on metal profile roofs. Affords multidirectional fall arrest protection for workers.	\$365.00
-------	------------------	---	----------



Rated at 24kN  
Tested to AS/NZ1891.4

Can also be used for Temporary Staticlines.  
Can be customised for A/C and Supersix roofs.  
(Cat C)



TA305	PORTABLE ROOF ANCHOR	Portable Roof Anchor is suitable for metal profile roofs, comes with shock absorber.	\$140.00
-------	----------------------	--	----------



Patent pending

Rated at 15kN  
(Cat C)

Contact us for your COMPLETE PACKAGE PRICE, including the ENGINEERED DESIGN applicable to your project!



# VERTIC HORIZONTAL LIFELINE SYSTEMS

EN 795 CLASS C



To ensure our continued existence as market innovators, we are pleased to introduce the “all new” Vertic Lowline Horizontal Lifeline.

The Lifeline system is an anchoring device that allows horizontal movement at Heights with complete safety. It can be used on many different kinds of structures (roofs, facades, overhead cranes etc.). It can be used by up to four operators.

The ABS600 shock absorber is designed to absorb 70% of a 20kn load, this means the systems can be installed to nearly all structures, as in most cases the end loading of the static line are not greater than the calculated (dead, wind loading) applicable to a building.

Stainless Steel components contribute towards the maximum life expectancy of the system.

Flexibility of the cables means that the most varied routing can be achieved.

Intermediate and angle supports allow the cable to be guided along its entirety.

Once attached to the cable, an operator is able to smoothly transition over the intermediate supports, negating continual connecting and disconnecting.

The meticulous design and finish ensure perfect integration with the different architectural constraints.

ABS600

A90, AWG or LANGM

**HORIZONTAL LIFELINES**

The intermediate brackets are made of one single rolled sheet in order to avoid soldering and the IFR90 fixed bracket is reinforced with two aluminium bodies. This unique design is for the attachment to intermediate posts or for direct mounting to concrete or steel. This flexibility allows for variable positioning (wall mounted, overhead applications etc.) and is hence suitable for a wide range of applications.

The mobile intermediate bracket (IMR) allows for the use of the lifeline on both sides without having to disconnect.

Contact us for your COMPLETE PACKAGE PRICE or an EASY COSTING EXCEL SPREADSHEET applicable to your project!

Contact us for the ENGINEERED CALCULATION TABLE for your Vertic Horizontal Lifeline!



IMR or LIMRM

IFR90 or LIFRM

A135



CODE	ITEM	DESCRIPTION	PRICE (EXCL. GST) AU\$
------	------	-------------	------------------------

ABS600 ENERGY ABSORBER

\$495.00



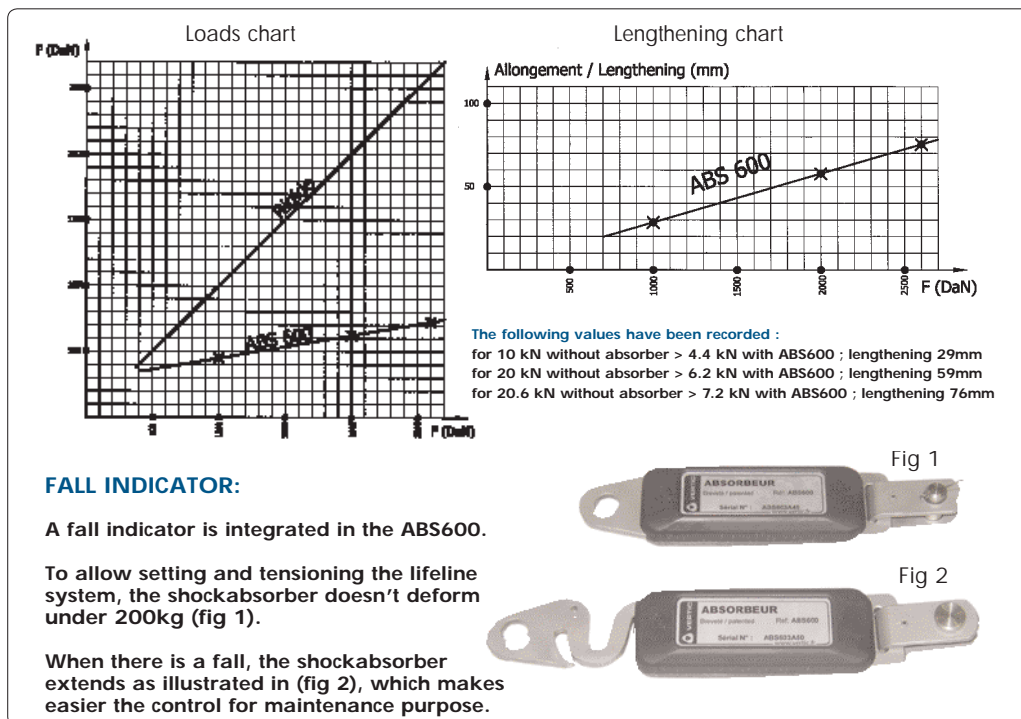
**Absorbs 70% of a 20kN load with less than 6cm lengthening**

**TECHNICAL FEATURES:**

- No deformation under a traction of 200kg
- Fall indicator
- Tested on three successive shocks of 20kN
- Ultra light: 425gm
- Can be used together with all VERTIC systems
- 316 Stainless Steel
- Absorbs 70% of a 20kN load with less than 6cm lengthening (Cat D)

**FALL INDICATOR:**

A fall indicator is integrated into the ABS600. To allow setting and tensioning the lifeline system, the shockabsorber doesn't deform under 200kg. When there is a fall, the shockabsorber extends, which makes maintenance control easier.



**FALL INDICATOR:**

A fall indicator is integrated in the ABS600.

To allow setting and tensioning the lifeline system, the shockabsorber doesn't deform under 200kg (fig 1).

When there is a fall, the shockabsorber extends as illustrated in (fig 2), which makes easier the control for maintenance purpose.



Fig 1



Fig 2

CMS3 HORIZONTAL SAFETY RUNNER

\$572.00



Facilitates a safe, simple means for attachment to the Lifeline. Allows users to pass easily and conveniently over intermediate posts without the need to disconnect.

Stainless Steel  
Weight: 0.385kg

**TECHNICAL FEATURES:**

- Corrosion resistant Stainless Steel
- Minimum breaking load >20kN
- Easy installation on the wire rope: Connecting and disconnecting possible at any location on the cable
- Oval action required for opening, incorporating optimal safety
- Complies with the European Standard EC 795 Class C

(Cat D)



CODE	ITEM	DESCRIPTION	PRICE (EXCL. GST) AU\$
ST-2	SWAGED TENSIONER	316 Stainless Steel Suits 8mm cable  (Cat D)	\$145.00
			
			
ST-3	SWAGELESS TENSIONER	316 Stainless Steel Suits 8mm cable Affords simple installation  (Cat D)	\$295.00
			
ES-2	SWAGED TERMINATION	316 Stainless Steel Suits 8mm cable  (Cat D)	\$94.50
			
			
ES-3	SWAGELESS TERMINATION	316 Stainless Steel Suits 8mm cable Affords simple installation  (Cat D)	\$260.00
			
V CABLE	CABLE	316 Stainless Steel Suits 8mm cable 7x7 wire construction  (Cat D)	\$11.00/metre
			

Contact us for your  
COMPLETE PACKAGE  
PRICE or an EASY  
COSTING EXCEL  
SPREADSHEET applicable  
to your project!

INSPECTION, MAINTENANCE &  
RECERTIFICATION AS/NZ 1891.4  
All Anchorages, Horizontal Rails,  
Access Systems, Horizontal and  
Vertical Lifelines and Safety Nets  
must be subjected to a 12 monthly  
inspection and recertification.  
All Anchorages must be checked  
before use.





# VERTIC HORIZONTAL LIFELINE SYSTEMS

CODE	ITEM	DESCRIPTION	PRICE (EXCL. GST) AUD\$
------	------	-------------	-------------------------

CM53-RK ROLLER KIT



For the use of a self retractable block/inertia reel.  
Offers enhanced performance and particularly suitable for useage with overhead systems.  
(Cat D)



\$1500.00

IMR MOBILE INTERMEDIATE BRACKET



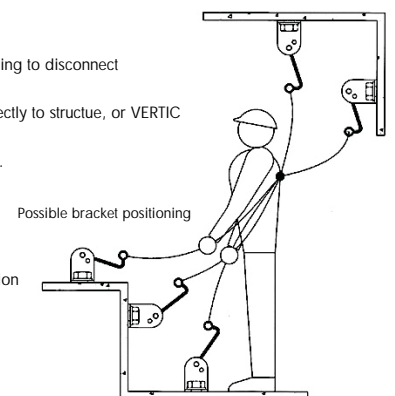
Mobile Intermediate Bracket allows the use of a lifeline on both sides without having to disconnect the runner.  
**Flexibility:** Offers variable positioning.  
**Reliability:** One single rolled sheet to avoid soldering.  
Stainless Steel 316  
Weight: 0.344kg  
(Cat D)

\$154.00

**Technical features:**

- **Linked:** Allows the use of the lifeline on both sides without having to disconnect the runner.
- **Flexibility :** Various possible positioning. Can be mounted directly to structure, or VERTIC and Safety Anchor Posts.
- **Reliability:** One single rolled sheet in order to avoid soldering.
- **Resistance:** > 12KN
- **Corrosion resistance:** Stainless steel 316
- **Fixing with M12 screw**
- **Curved structure:** Do not use on curved structures, as the tension of the line would make the IM part turn.

Weight = 0.344kg



IFR90 FIXED INTERMEDIATE BRACKET



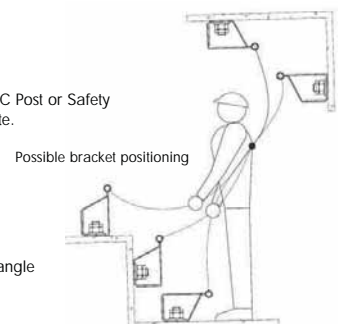
Made of one single part that is not deformable.  
Is also reinforced with two aluminium bodies.  
**Flexibility:** offers variable positioning.  
**Reliability:** One single rolled sheet to avoid soldering.  
Stainless Steel 316  
Weight: 0.385kg  
(Cat D)

\$127.00

**Technical features:**

- **Rigidity:** Made of one single part that is non deformable. It is also reinforced with two aluminium bodies.
- **Adaptability:** Various possible positioning. Can be mounted to VERTIC Post or Safety Anchor Intermediate Post. Also suitable for direct mounting to concrete.
- **Reliability:** One single rolled sheet in order to avoid soldering.
- **Resistance:** > 12KN
- **Corrosion resistance:** Stainless steel 316
- **Fixing with M12 screw**
- **Use on a curved structure :** Easy travelling of the runner up to a 17° angle between the wire rope and the axis of the IF part.

Weight = 0.386kg



CODE	ITEM	DESCRIPTION	PRICE (EXCL. GST) AU\$
A90/A135	90°/135° CORNER	Modular corners that can be adjusted on site for mounting to walls, floors and ceilings etc. where direct mounting is applicable.  Stainless Steel 316  Weight: 0.654kg  (Cat D)	A90 - \$332.00  A135 - \$332.00
ANG	CORNER SUPPORT FOR POST	The standard angle is 90°. Can be adjusted on site buy cutting extremeties, up to 45°. Fixed with one M12 screw.  (Cat D)  Technical features: <ul style="list-style-type: none"> <li>• Resistance: &gt; 40kN</li> <li>• Corrosion resistance: Stainless Steel</li> <li>• Fixing: With one central screw HM12 in Stainless Steel A4. To fix the screw, use loctite.</li> <li>• Adjustable: The standard corner ANG is 90°. However, it can be adjusted on site by cutting the free extremities of the tube, up to 45°. After cutting the tube, it is necessary to make the tube round by deburring the tube end, so that it can't damage the runner and it helps it slide through better.</li> <li>• Weight: 0.386kg</li> </ul> <div style="border: 1px solid black; padding: 5px; margin-top: 10px;">                     Technical features: <ul style="list-style-type: none"> <li>• Resistance: &gt; 40KN</li> <li>• Corrosion resistance: Stainless steel</li> <li>• Fixing: With one central screw HM12 in stainless steel A4. To fix the screw, use loctite.</li> <li>• Adjustable: The standard corner ANG is 90°. However, it can be adjusted on site by cutting the free extremities of the tube, up to 45°. After cutting the tube, it is necessary to make the tube round around so that it can't damage the runner and it helps it slide through better.</li> </ul>                     Weight = 0.386kg                 </div>	\$204.00
BAG01	CORNER SUPPORT FOR POST	Nut can be swaged to facilitate easy installation of corners & bends.  (Cat D)	\$40.00



Contact us for your COMPLETE PACKAGE PRICE or an EASY COSTING EXCEL SPREADSHEET applicable to your project!

INSPECTION, MAINTENANCE & RECERTIFICATION AS/NZ 1891.4  
All Anchorages, Horizontal Rails, Access Systems, Horizontal and Vertical Lifelines and Safety Nets must be subjected to a 12 monthly inspection and recertification. All Anchorages must be checked before use.





## VERTIC LOWLINE SURFACE MOUNT STATICLINE

- Anchorages shown are sold as complete units and to be used in conjunction with existing Vertic System components.
- Maximum of 4 users.
- Fits most roof profiles.

CODE	ITEM	DESCRIPTION	PRICE (EXCL. GST) AUD\$
LESM	LOWLINE SURFACE MOUNT END ANCHOR	<p>The Lowline Surface Mount End Anchor is designed to absorb energy in the event of a fall taken on the system.</p> <ul style="list-style-type: none"> <li>• Stainless Steel</li> <li>• Includes fixings</li> </ul> <p>(Cat D)</p>	\$165.00
LIFRM	LOWLINE SURFACE MOUNT FIXED INTERMEDIATE	<p>The Lowline Surface Mount Fixed Intermediate is designed to provide continuous movement along the staticline, being made from two pieces bolted together. The intermediate portion is on single part that is reinforced with two aluminium bodies.</p> <ul style="list-style-type: none"> <li>• Stainless Steel</li> <li>• Includes fixings</li> </ul> <p>(Cat D)</p>	\$226.00
LIMRM	LOWLINE SURFACE MOUNT MOBILE INTERMEDIATE	<p>The Lowline Surface Mount Mobile Intermediate is designed to allow the use of the staticline on both sides without having to disconnect the runner.</p> <ul style="list-style-type: none"> <li>• Stainless Steel</li> <li>• Includes fixings</li> </ul> <p>(Cat D)</p>	\$255.00
LANGM	LOWLINE SURFACE MOUNT CORNER POST	<p>The Lowline Surface Mount Corner Post is a unique corner system and is adjustable on site by cutting the face extremities of the tube up to 45°.</p> <ul style="list-style-type: none"> <li>• Stainless Steel</li> <li>• Includes fixings</li> </ul> <p>(Cat D)</p>	\$301.00

**TECHNICAL FEATURES:**

- Flexibility
- Corrosion resistant Stainless Steel
- It is recommended that installation is carried out enabling two fixings to be connected to the structure.

Contact us for your COMPLETE PACKAGE PRICE or an EASY COSTING EXCEL SPREADSHEET applicable to your project!



**VERTIC LOWLINE CONCRETE/WALL MOUNT STATICLINE**

- Anchorages shown are sold as complete units and to be used in conjunction with existing Vertic System components.
- Maximum of 4 users.

CODE	ITEM	DESCRIPTION	PRICE (EXCL. GST) AUD\$
LECW	LOWLINE MULTIPURPOSE CONCRETE/WALL END ANCHOR	<p>The Lowline Multipurpose Concrete/Wall End Anchor has been designed to allow multiple applications, including installations on the underside of a soffit where normal fixings are in direct pullout. The anchor has been engineered and also absorbs energy.</p> <p>(Cat D)</p>	\$95.00
			
LECA	LOWLINE CONCRETE END ANCHOR	<p>The Lowline Concrete End Anchor is designed to provide a low profile staticline on a concrete roof structure.</p> <p>(Cat D)</p>	\$99.00
			
LIFRC	LOWLINE CONCRETE FIXED INTERMEDIATE	<p>The Lowline Concrete Fixed Intermediate is designed to provide continuous movement along the staticline, being made from two pieces bolted together. The intermediate portion is on single part that is reinforced with two aluminium bodies.</p> <ul style="list-style-type: none"> <li>• Stainless Steel</li> <li>• Includes fixings</li> </ul> <p>(Cat D)</p>	\$174.00
			
LIMRC	LOWLINE CONCRETE MOBILE INTERMEDIATE	<p>The Lowline Concrete Mobile Intermediate is designed to allow the use of the staticline on both sides without having to disconnect the runner.</p> <ul style="list-style-type: none"> <li>• Stainless Steel</li> <li>• Includes fixings</li> </ul> <p>(Cat D)</p>	\$197.00
			

Contact us for your **COMPLETE PACKAGE PRICE**, including the **ENGINEERED DESIGN** applicable to your project!



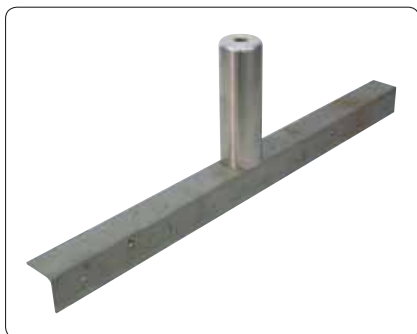



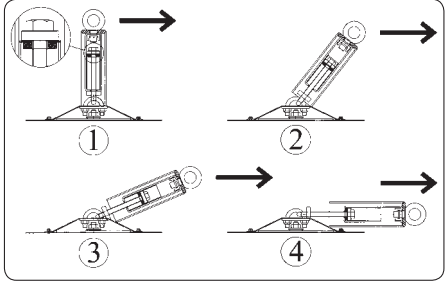

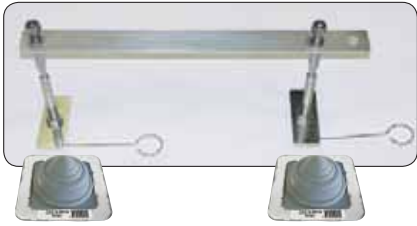
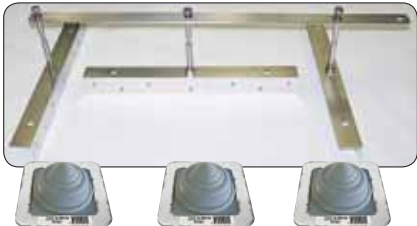

# VERTIC HORIZONTAL LIFELINE SYSTEMS



CODE	ITEM	DESCRIPTION	PRICE (EXCL. GST) AU\$
LANGC	LOWLINE CONCRETE CORNER POST	<p>The Lowline Concrete Corner Post is a unique corner system and is adjustable on site by cutting the face extremities of the tube up to 45°.</p> <ul style="list-style-type: none"> <li>• Stainless Steel</li> <li>• Includes fixings</li> </ul> <p>(Cat D)</p>	\$243.00
EPWM	EXTRIMITY RING	<p>Ring to be secured to post when used as end termination.</p> <p>(Cat D)</p>	\$45.00
EPCM	CONCRETE FIX UNIVERSAL POST	<p>Mounting Plate suitable for concrete. Available as end post or without eyebolt for use as intermediate (IFR90 &amp; IMR can be attached).</p> <p>Includes EPWM Extremity Ring.</p> <p>(Cat D)</p>	\$153.00
EPCM NE	CONCRETE FIX UNIVERSAL POST	<p>As above without EPWM Extremity Ring.</p> <p>(Cat D)</p>	\$135.00
EPTM	TIMBER FIX UNIVERSAL POST	<p>Post mounted to truss. Post includes mechanism allowing activation at a specific threshold (280kg) combined with an energy absorption device. (Suitable as end post and intermediate post).</p> <p>(Cat D)</p>	\$394.00
EPTMNE	TIMBER FIX UNIVERSAL POST	<p>As above without EPWM Extremity Ring.</p> <p>(Cat D)</p>	\$358.00

Contact us for your COMPLETE PACKAGE PRICE, including the ENGINEERED DESIGN applicable to your project!



CODE	ITEM	DESCRIPTION	PRICE (EXCL. GST) AU\$
EPSMCO	SURFACE MOUNT UNIVERSAL POST	Surface Mount End Post. Post includes mechanism allowing activation at specific threshold. Can also be used without eyebolt as intermediate post suitable for use with IFR90 & IMR. Includes EPWM Extremity Ring.  The articulated link provides 360° protection, enabling the support to reduce the load exerted to structures. The Anchoring supports are versatile and aesthetically pleasing. (Cat D)	\$483.00
			
			
EPSMCO NE	SURFACE MOUNT UNIVERSAL POST	As above without EPWM Extremity Ring. (Cat D)	\$441.00
EPSM	SURFACE MOUNT UNIVERSAL POST	Surface Mount End Post. Also suitable for intermediate post with IFR90 & IMR.  * Please specify roof profile when ordering this version of Surface Mount. Ideal for KLIPOK, BROWN BUILT & KINGLIP.  Includes EPWM Extremity Ring. (Cat D)	\$483.00
			
EPSM NE	SURFACE MOUNT UNIVERSAL POST	As above without EPWM Extremity Ring. (Cat D)	\$441.00
SSL7	RETRO FIX STATICLINE END ASSEMBLY – 0-20°	The End Assembly is used for pitches no greater than 20° and is used when there is little or no access from the underside when fixing to metal roof/steel purlin structures. Bases are E-COATED.  316 Marine Grade Stainless Steel Rated at 24kN  * Recommended on straight runs only (Cat D)	\$224.00
			
SSL7(30)	RETRO FIX STATICLINE END ASSEMBLY – 0-30°	As above except for pitches no greater than 30°. Bases are E-COATED. (Cat D)	\$340.00
SSL15	TIMBER FIX STATICLINE END ASSEMBLY	The Timber End Assembly is used for pitches no greater than 30° when structure is tile/timber with easy access. Bases are E-COATED.  316 Marine Grade Stainless Steel Rated at 24kN  * Recommended on straight runs only (Cat D)	\$403.00
			
			

**UP TO  
88% ENERGY  
REDUCTION**

# VERTIC HORIZONTAL LIFELINE SYSTEMS



CODE	ITEM	DESCRIPTION	PRICE (EXCL. GST) AU\$
SSL21	END ASSEMBLY SURFACEMOUNT	<p>The End Assembly Surfacemount for pitches no greater than 20° is a surface mounted anchor, fitted directly to steel roof profile, where access to timber structure is difficult.</p> <p>Tested to fall arrest capabilities</p> <p>316 Marine Grade Stainless Steel</p> <p>Rated at 24kN</p> <p>(Cat D)</p>	\$392.00
IP501	RETRO FIX INTERMEDIATE POST (TO SUIT IFR90/IMR)	<p>Intermediate Retro Fix can be used as an intermediate post that can be adapted to many lifeline systems when there is little or no access from the underside when fixing to metal roof/steel purlin structures.</p> <p>Base is <b>E-COATED</b>.</p> <p>Tested to AS/NZ1891.4</p> <p>316 Marine Grade Stainless Steel</p> <p>Rated to 24kN</p> <p>(Cat D)</p>	\$118.00
IP502	TIMBER FIX INTERMEDIATE POST (TO SUIT IFR90/IMR)	<p>Intermediate Timber Fix Anchor can be used as an intermediate post that can be adapted to many lifeline systems when fixing to timber structures.</p> <p>Base is <b>E-COATED</b>.</p> <p>Tested to AS/NZ1891.4</p> <p>316 Marine Grade Stainless Steel</p> <p>Rated to 24kN</p> <p>(Cat D)</p>	\$140.00
SM303	SURFACE MOUNT INTERMEDIATE POST (TO SUIT IFR90/IMR)	<p>Surface Mount Intermediate Post is a surface mounted post, fitted directly to steel roof, where access to structure is difficult. Can be adapted to many life line systems.</p> <p>(Cat D)</p>	\$183.00

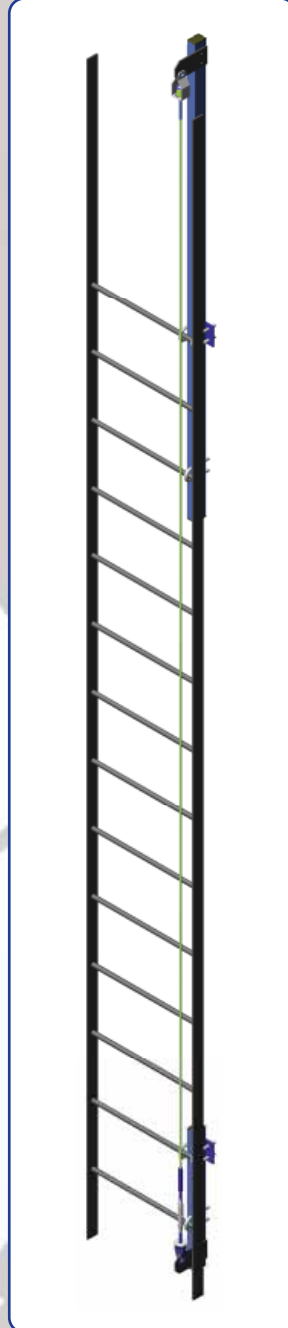
Contact us for your COMPLETE PACKAGE PRICE or an EASY COSTING EXCEL SPREADSHEET applicable to your project!



UP TO 88% ENERGY REDUCTION

INSPECTION, MAINTENANCE & RECERTIFICATION AS/NZ 1891.4 All Anchorages, Horizontal Rails, Access Systems, Horizontal and Vertical Lifelines and Safety Nets must be subjected to a 12 monthly inspection and recertification. All Anchorages must be checked before use.

# VERTIC VERTICAL LIFELINE SYSTEMS



The VERTIC Lifeline System provides safe vertical movement at heights and continues the Safety Anchors focus of providing total access solutions. VERTIC can be installed on various structures such as ladders, pylons etc.

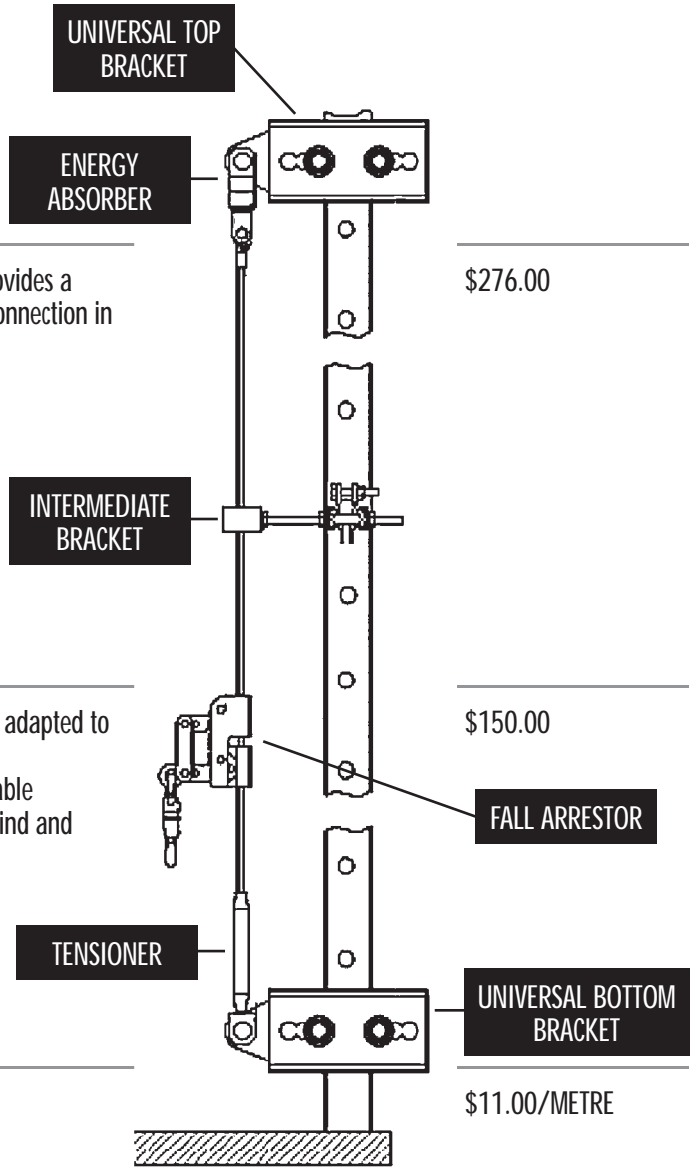
Ascending and descending is facilitated by the VERTIC Fall Arrester that allows complete freedom in movement and hands free operation, therefore limiting a fall to a maximum of 600mm.

For your convenience we have a range of custom made kits ready for assembly and installation or components can be purchased individually.








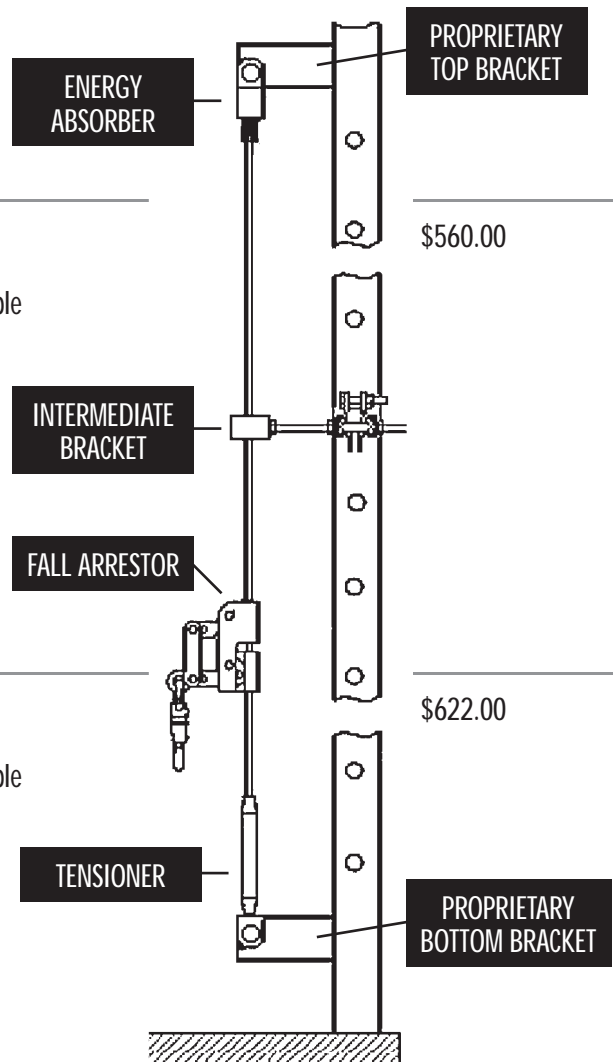
# VERTIC VERTICAL LIFELINE SYSTEMS

CODE	ITEM	DESCRIPTION	PRICE (EXCL. GST) AU\$
VLL100	VERTIC UNIVERSAL BRACKET	<p>The Vertic Universal Bracket Connection to a variety of ladder constructions. Achieves solid anchorage for vertical lifeline system.</p> <p>Stainless Steel Rated for single person use Breaking strength &gt;20kN</p> <p>(Cat D)</p>	\$192.00
VLL101	VERTIC SHOCK ABSORBER	<p>The Vertic Shock Absorber provides a Shockabsorber and swaged connection in one unit.</p> <p>Stainless Steel Suits 8mm cable Rated for single person use Breaking strength &gt;20kN</p> <p>(Cat D)</p>	\$276.00
VLL102	VERTIC CABLE GUIDE	<p>The Vertic Cable guide can be adapted to most supports. It limits cable floating therefore prevents cable from deterioration through wind and vibrations.</p> <p>Rated for single person use Breaking strength &gt;20kN</p> <p>(Cat D)</p>	\$150.00
VLL103	VERTIC CABLE	<p>316 Stainless Steel Suits 7x19 8mm Cable Breaking strength &gt;38kN</p> <p>(Cat D)</p>	\$11.00/METRE
VLL104	VERTIC SWAGED TENSIONER	<p>316 Stainless Steel Suits 8mm Cable Breaking strength &gt;50kN</p> <p>(Cat D)</p>	\$145.00



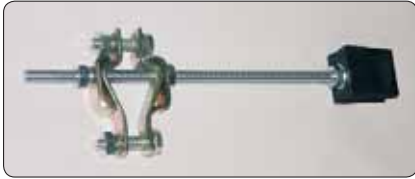
Contact us for your COMPLETE PACKAGE PRICE, including the ENGINEERED DESIGN applicable to your project!

CODE	ITEM	DESCRIPTION	PRICE (EXCL. GST) AU\$
VLL105	VERTIC SWAGELESS TENSIONER	316 Stainless Steel. Suits 8mm Cable Affords simple installation Breaking strength >50kN  (Cat D)	\$295.00
			
VLL106	VERTIC FALL ARRESTER	The Verticlink Fall Arrester offers hands free operation on vertical lifelines. Connection on/off possible at any loctation providing the user is safe.  Rated for single person use.  (Cat D)	\$112.50
			
VLL107	VERTIC FALL ARRESTER WITH SHOCK ABSORBER	The Verticlink Fall Arrester offers hands free operation on vertical lifelines. Connection on/off possible at any loctation providing the user is safe. Can be used on systems for extra protection and where there is no shock absorber on the line.  Rated for single person use.  (Cat D)	\$175.00
			
VLL108	VERTIC KIT FOR 5M SYSTEM FOR PROPRIETARY LADDER SYSTEMS	Kit includes: 1 x VLL101 Shock Absorber 1 x 5M VLL103 Stainless Steel Cable 1 x VLL105 Swageless Tensioner 1 x VLL106 Fall Arrester  Rated for single person use.  (Cat D)	\$560.00
			
VLL109	VERTIC KIT FOR 5M SYSTEM FOR PROPRIETARY LADDER SYSTEMS	Kit includes: 1 x VLL101 Shock Absorber 1 x 5M VLL103 Stainless Steel Cable 1 x VLL105 Swageless Tensioner 1 x VLL107 Fall Arrester with Shock Absorber  Rated for single person use.  (Cat D)	\$622.00
			



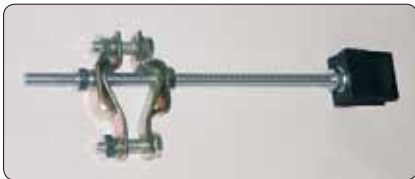
# VERTIC VERTICAL LIFELINE SYSTEMS

CODE	ITEM	DESCRIPTION	PRICE (EXCL. GST) AUD\$
VLL110	VERTIC KIT 10M KIT FOR PROPRIETARY LADDER SYSTEMS	<p>Kit includes:</p> <ul style="list-style-type: none"> <li>1 x VLL101 Shock Absorber</li> <li>1 x VLL102 Cable Guide</li> <li>1 x 10M VLL103 Stainless Steel Cable</li> <li>1 x VLL105 Swageless Tensioner</li> <li>1 x VLL106 Fall Arrester</li> </ul> <p>Rated for single person use.</p> <p>(Cat D)</p>	\$765.00

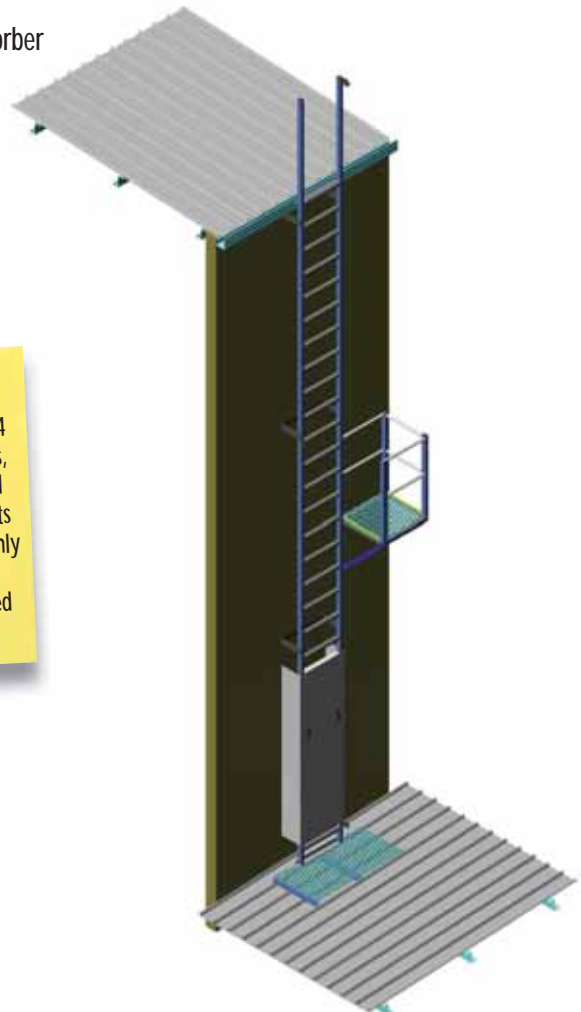


Contact us for your COMPLETE PACKAGE PRICE or an EASY COSTING EXCEL SPREADSHEET applicable to your project!

VLL111	VERTIC KIT 10M KIT FOR PROPRIETARY LADDER SYSTEMS	<p>Kit includes:</p> <ul style="list-style-type: none"> <li>1 x VLL101 Shock Absorber</li> <li>1 x 10M VLL103 Stainless Steel Cable</li> <li>1 x VLL105 Swageless Tensioner</li> <li>1 x VLL107 Fall Arrester with Shock Absorber</li> </ul> <p>Rated for single person use.</p> <p>(Cat D)</p>	\$828.00
--------	--	---	----------



INSPECTION, MAINTENANCE & RECERTIFICATION AS/NZ 1891.4 All Anchorages, Horizontal Rails, Access Systems, Horizontal and Vertical Lifelines and Safety Nets must be subjected to a 12 monthly inspection and recertification. All Anchorages must be checked before use.



CODE	ITEM	DESCRIPTION	PRICE (EXCL. GST) AUD\$
VLL112	VERTIC KIT 5M SYSTEM FOR EXISTING STRUCTURES	<p>Kit includes:            2 x VLL100 Universal Brackets            1 x VLL101 Shock Absorber            1 x 5M VLL103 Stainless Steel Cable            1 x VLL105 Swageless Tensioner            1 x VLL106 Fall Arrester</p> <p>Rated for single person use.  (Cat D)</p>	\$944.00
VLL113	VERTIC KIT 5M SYSTEM FOR EXISTING STRUCTURES	<p>Kit includes:            As per VLL112, but includes            1 x VLL107 Fall Arrester with Shock Absorber            (instead of VLL106 Fall Arrester)</p> <p>Rated for single person use.  (Cat D)</p>	\$1006.00
VLL114	VERTIC KIT 10M SYSTEM FOR EXISTING STRUCTURES	<p>Kit includes:            As per VLL112, but includes            1 x VLL102 Cable Guide            1 x 10M VLL103 Stainless Steel Cable            (instead of 5M VLL103 Cable)</p> <p>Rated for single person use.  (Cat D)</p>	\$1149.00
VLL115	VERTIC KIT 10M SYSTEM FOR EXISTING STRUCTURES	<p>Kit includes:            As per VLL113, but includes            1 x VLL102 Cable Guide            1 x 10M VLL103 Stainless Steel Cable            (instead of 5M VLL103 Cable)</p> <p>Rated for single person use.  (Cat D)</p>	\$1211.00

INSPECTION, MAINTENANCE & RECERTIFICATION AS/NZ 1891.4 All Anchorages, Horizontal Rails, Access Systems, Horizontal and Vertical Lifelines and Safety Nets must be subjected to a 12 monthly inspection and recertification. All Anchorages must be checked before use.





# VERTIC VERTICAL LIFELINE SYSTEMS

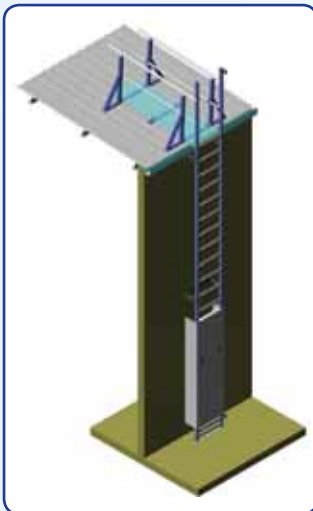
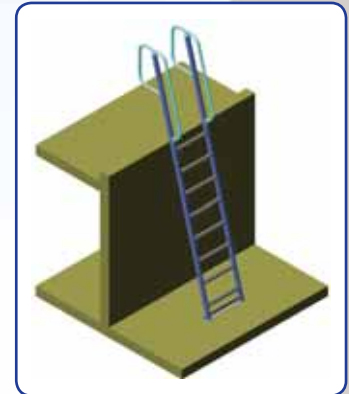
CODE	ITEM	DESCRIPTION	PRICE (EXCL. GST) AU\$
VLL116	VERTIC KIT 5M SYSTEM FOR EXISTING LADDERS	<p>Kit includes:</p> <ul style="list-style-type: none"> <li>1 x Top Extension Bracket and Fixing Components</li> <li>1 x Bottom Extension Bracket and Fixing Components</li> <li>1 x VLL101 Shock Absorber</li> <li>1 x 5M VLL103 Stainless Steel Cable</li> <li>1 x VLL105 Swageless Tensioner</li> <li>1 x VLL107 Fall Arrester</li> <li>1 x Chain Set</li> </ul> <p>Rated for single person use.</p> <p>(Cat D)</p>	\$1090.00
VLL117	VERTIC KIT 10M SYSTEM FOR EXISTING LADDERS	<p>Kit includes:</p> <ul style="list-style-type: none"> <li>1 x Top Extension Bracket and Fixing Components</li> <li>1 x Bottom Extension Bracket and Fixing Components</li> <li>2 x VLL100 Universal Brackets</li> <li>1 x VLL101 Shock Absorber</li> <li>1 x 10M VLL103 Stainless Steel Cable</li> <li>1 x VLL105 Swageless Tensioner</li> <li>1 x VLL107 Fall Arrester</li> <li>1 x Chain Set</li> </ul> <p>Rated for single person use.</p> <p>(Cat D)</p>	\$1276.00
VLL118	VERTIC LINE CONNECTION BRACKET SET	<p>The Vertic Line Connection Bracket can be bolted to the top and bottom of a Proprietary Ladder for the attachment of a Vertical Lifeline.</p> <p>Used mainly on ladders with extendable styles.</p> <p>Includes bolts.</p> <p>*The style must be strengthened where the bracket is connected.</p> <p>(Cat D)</p>	\$41.00



# VERTIC ACCESS LADDER SYSTEMS



- ERGONOMICALLY DESIGNED RUNGS – FACILITATING SAFE TRAVEL.
- MODULAR SYSTEM ENSURES VERTIC IS SUITABLE FOR EVEN THE MOST DIFFICULT ACCESS SCENARIOS.
- ACCESS CAN ALSO BE CONTROLLED BY THE INTRODUCTION OF SECURED GATES.



Contact us for your  
**COMPLETE PACKAGE**  
PRICE or an **EASY**  
COSTING **EXCEL**  
SPREADSHEET applicable  
to your project!

Safety Anchors Vertic Fixed Ladder System incorporates innovative design, ease of installation to provide ladders for means of safe access to and safe working at elevated areas used by operating, inspection, maintenance and servicing personnel.

Manufactured from high grade structural aluminium the Vertic Access Ladder system offers a high strength to weight ratio, resulting in a resilient, light weight and unobtrusive permanent solution.

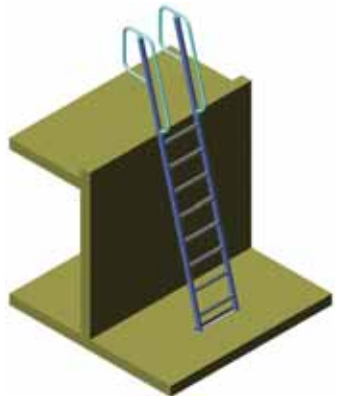
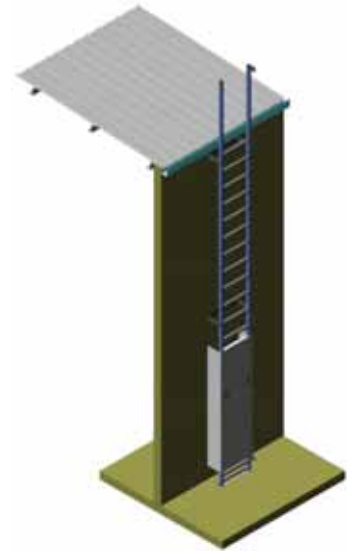
Ergonomically designed, the rungs facilitate ease of movement, affording excellent grip properties allowing safe travel and peace of mind.

The modular concept allows for the addition of Cages, Vertical Lifelines and rest platforms, enabling your workers to experience optimum safety levels when accessing their work environment. Access can also be controlled by the introduction of secured gates or doors. This modular approach ensures that each Verticlink solution is easily catered to your site specific application and enables conformance to AS 1657 Fixed Platforms, Walkways, Stairways and Ladders - Design, construction and Installation.

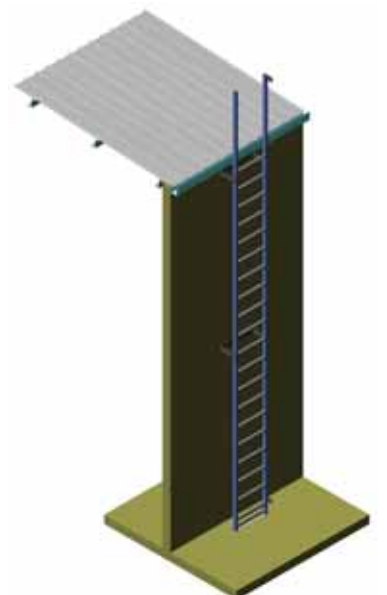
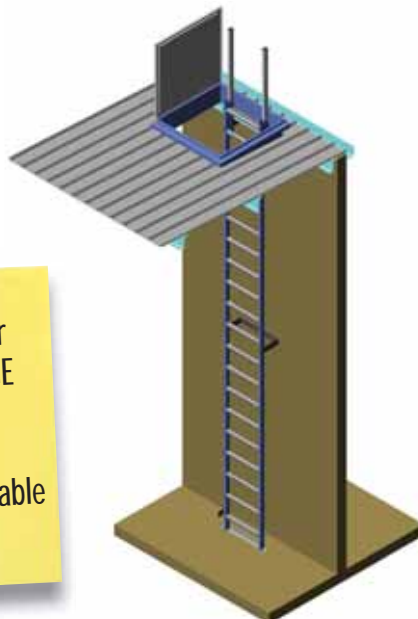
Because of Vertics aesthetic features, superior quality and strength, Safety Anchors have been sort by Architects and supplied to our extensive installer network for large contract builders, transportation and logistics industry, manufacturing industry and many Blue chip organisations.

# VERTIC ACCESS LADDER SYSTEMS

CODE	ITEM	DESCRIPTION	PRICE (EXCL. GST) AU\$
VTLD01	VERTIC LADDERHEAD WITH ARREST BRACKETS	<p>1050mm Ladder section with step through stile, extension &amp; Lifeline Brackets.</p> <p>Rated for one person (Cat D)</p> <p><b>TECHNICAL DATA</b></p> <p><b>Material Used:</b> High grade structural aluminium with options for powder coating.</p> <p><b>Safe Working Load:</b> Single person operation only (150 kg)</p> <p><b>Dimensions:</b></p> <ul style="list-style-type: none"> <li>• Width 600 mm</li> <li>• Rung Spacings 300 mm</li> <li>• Step through stile extension:                             <ul style="list-style-type: none"> <li>- 525 mm width</li> <li>- 1000 mm above top rung</li> </ul> </li> <li>• Minimum distance off wall                             <ul style="list-style-type: none"> <li>- 200 mm (vertical ladder)</li> </ul> </li> <li>• Minimum distance from top rung to wall                             <ul style="list-style-type: none"> <li>- 50 mm (inclined ladder)</li> </ul> </li> <li>• Distance between landings/rest platforms                             <ul style="list-style-type: none"> <li>- 6m maximum</li> </ul> </li> </ul> <p><b>Maintenance:</b> 12 monthly inspection required by competent person, as specified in AS1891.4.9 for Vertical Static Line only.</p>	\$354.00
VTLD02	VERTIC LADDERHEAD	<p>1350mm Ladder section with step through stile, extension.</p> <p>Rated for one person (Cat D)</p>	\$225.00
VTLD03	VERTIC EXTENDABLE STILES	<p>Extendable stiles (Cat D)</p>	\$379.00



Contact us for your COMPLETE PACKAGE PRICE or an EASY COSTING EXCEL SPREADSHEET applicable to your project!

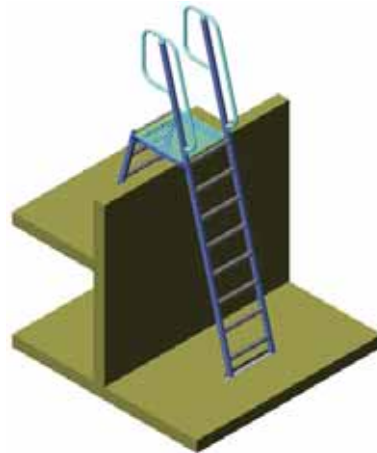


CODE      ITEM      DESCRIPTION      PRICE (EXCL. GST) AU\$

VTLD04      VERTIC 1200  
LADDER SECTION

1200mm Ladder section.  
  
Rated for one person  
  
(Cat D)

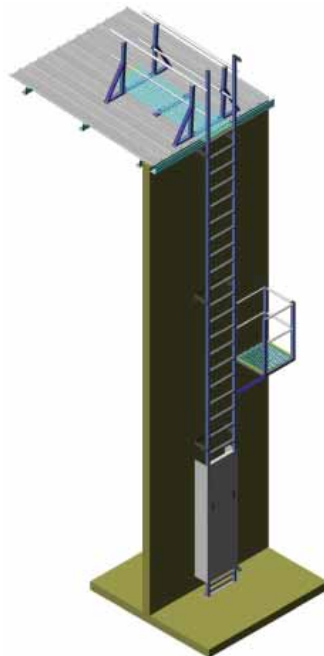
\$145.00



VTLD05      VERTIC 2400  
LADDER SECTION

2400mm Ladder section.  
  
Rated for one person  
  
(Cat D)

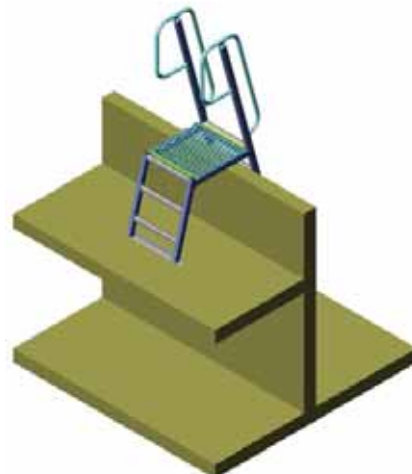
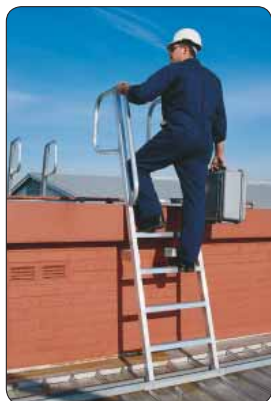
\$245.00



VTLD06      VERTIC LADDER  
HANDRAIL MODULE


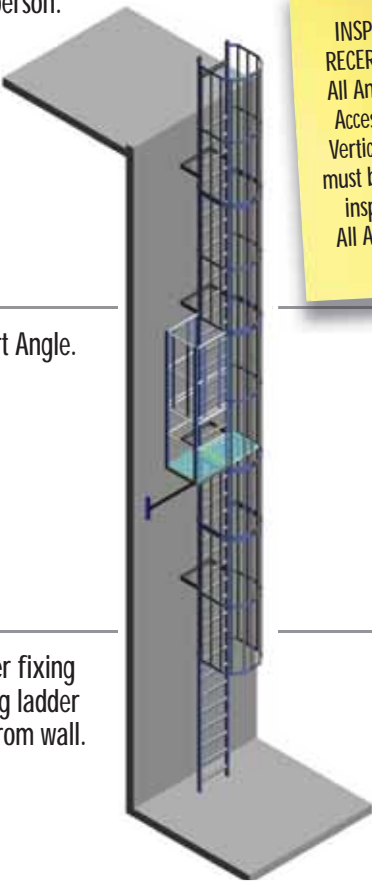

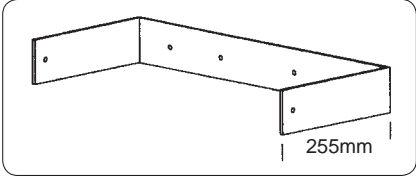
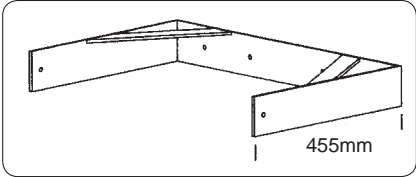
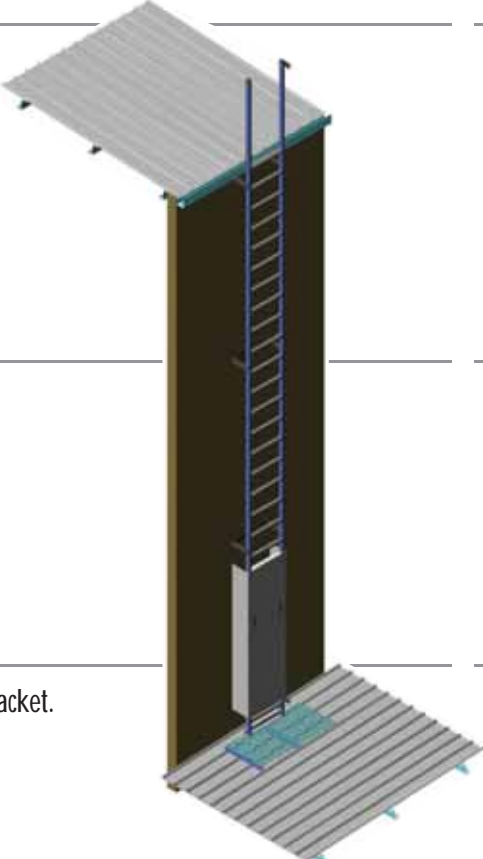
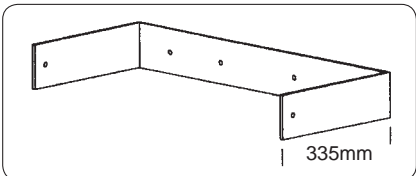
Handrail module for angled Ladder/Set.  
  
Rated for one person  
  
(Cat D)

\$380.00

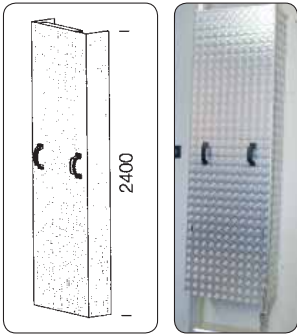
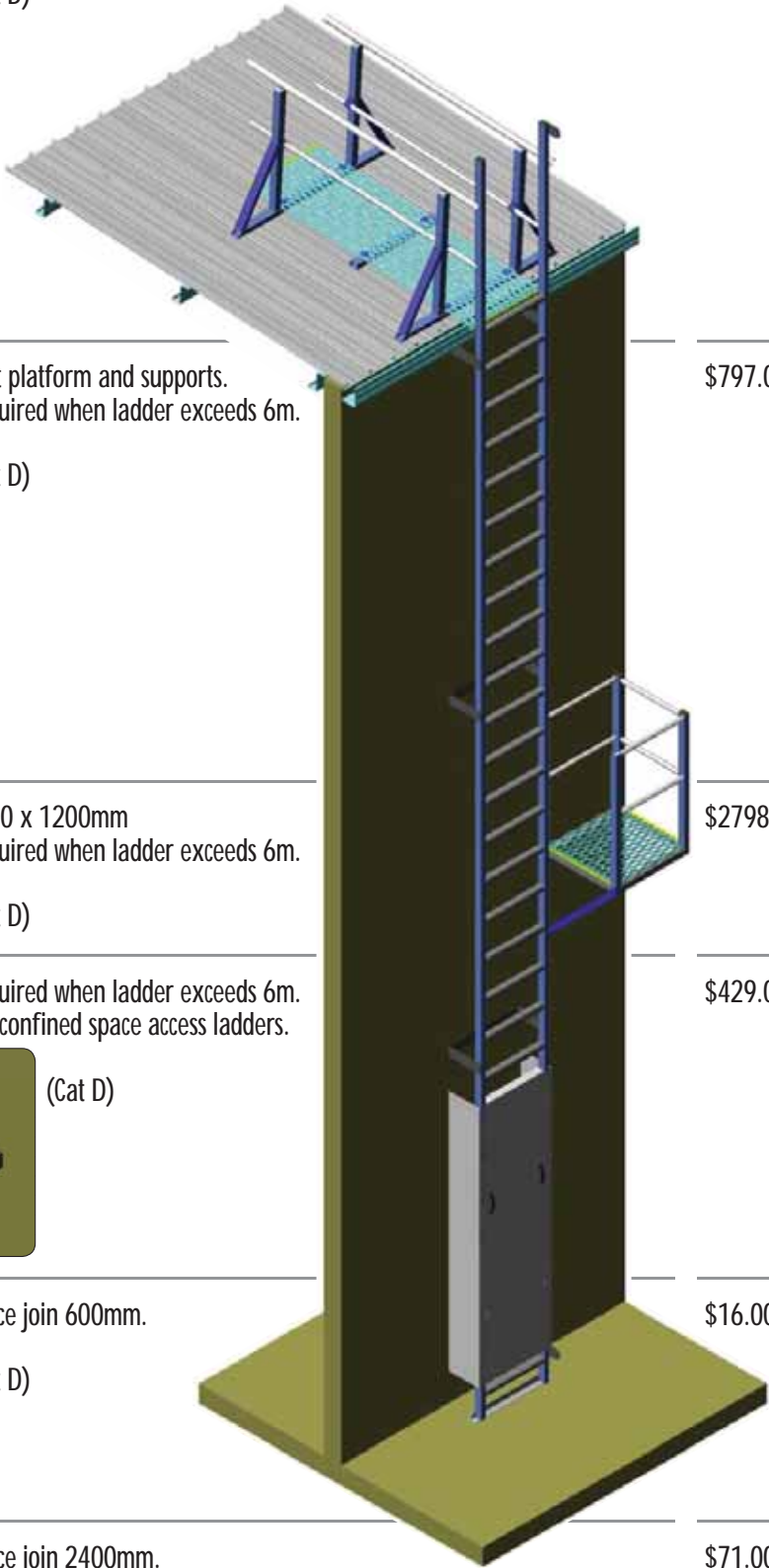

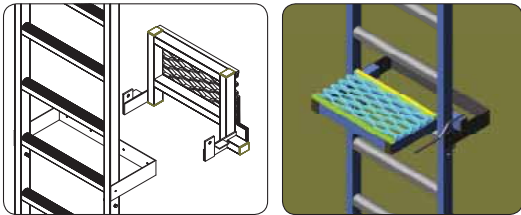
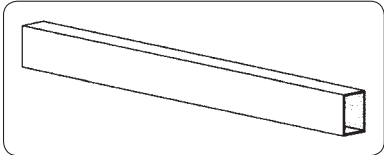
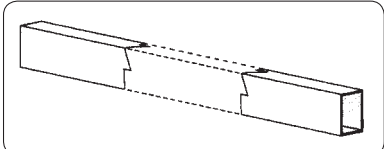




# VERTIC ACCESS LADDER SYSTEMS

CODE	ITEM	DESCRIPTION	PRICE (EXCL. GST) AU\$
VTLD07	VERTIC LADDER HANDRAIL MODULE	Handrail module for angled Ladder/Set. Rated for one person. (Cat D)	\$279.00
			
VTLD08	VERTIC BASE SUPPORT MODULE	700mm Support Angle. (Cat D)	\$22.00
			
VTLD09	VERTIC LADDER FIXING BRACKET 200mm	Standard Ladder fixing bracket allowing ladder to sit 200mm from wall. (Cat D)	\$55.00
			
VTLD10	VERTIC LADDER FIXING BRACKET WITH GUSSET 400mm	Gusseted Ladder fixing bracket allowing ladder to sit 400mm from wall. (Cat D)	\$105.00
			
VTLD11	VERTIC LADDER FIXING BRACKET 280mm	Standard Ladder fixing bracket allowing ladder to sit 280mm from wall. (Cat D)	\$62.00
			
VTLD11A	VERTIC LADDER ADJUSTABLE FIXING BRACKET 600mm	Adjustable Ladder fixing bracket. (Cat D)	\$164.00

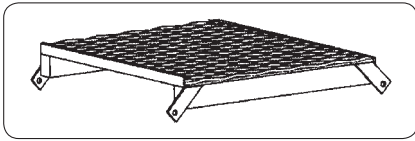
**INSPECTION, MAINTENANCE & RECERTIFICATION AS/NZ 1891.4**  
All Anchorages, Horizontal Rails, Access Systems, Horizontal and Vertical Lifelines and Safety Nets must be subjected to a 12 monthly inspection and recertification. All Anchorages must be checked before use.

CODE	ITEM	DESCRIPTION	PRICE (EXCL. GST) AU\$
VTLD12	VERTIC LADDER ACCESS GATE	2400 x 600mm Gate for security. (Cat D)	\$758.00
			
VTLD13	VERTIC LADDER REST PLATFORM	Rest platform and supports. Required when ladder exceeds 6m. (Cat D)	\$797.00
			
VTLD13A	VERTIC MIDWAY CHANGE OF DIRECTION PLATFORM	2600 x 1200mm Required when ladder exceeds 6m. (Cat D)	\$2798.00
VTLD13B	VERTIC FOLD DOWN MIDWAY REST PLATFORM	Required when ladder exceeds 6m. For confined space access ladders. (Cat D)	\$429.00
			
VTLD14	VERTIC SPLICE JOIN	Splice join 600mm. (Cat D)	\$16.00
			
VTLD15	VERTIC SPLICE JOIN	Splice join 2400mm. (Cat D)	\$71.00
			

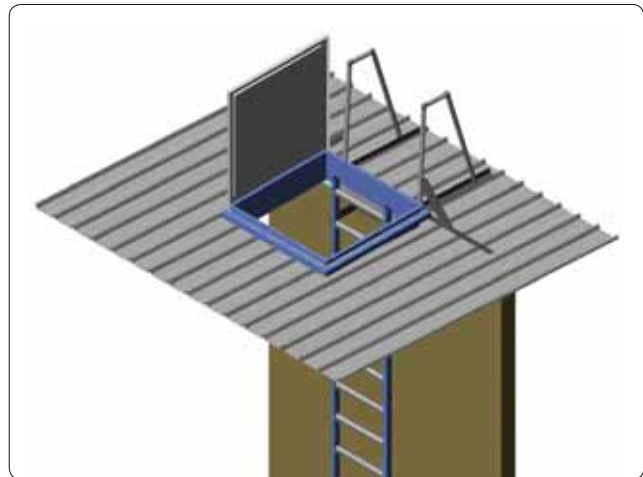
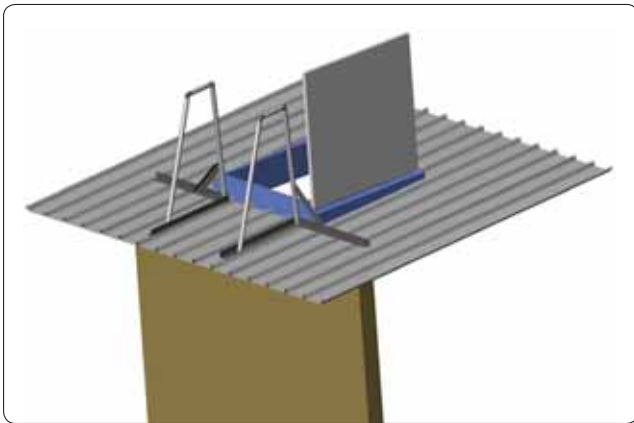
# VERTIC ACCESS LADDER SYSTEMS

CODE	ITEM	DESCRIPTION	PRICE (EXCL. GST) AU\$
VTLD16	VERTIC LADDER SUPPORT PLATFORM	Provides protection of the roof at base of a ladder. (Cat D)	\$378.00
			1.0m - \$499.00 2.0m - \$776.00 3.0m - \$1064.00 4.0m - \$1459.00 5.0m - \$1928.00 6.0m - \$2195.00
VTLD17	VERTIC LADDER CAGE		
			\$451.00
VTLD18	VERTIC LADDER CAGE GATE		
			\$62.00
VTLD19	VERTIC LADDER HEAD SAFETY BAR		
			\$268.00
VTLD20	VERTIC SELF CLOSING ACCESS GATE		

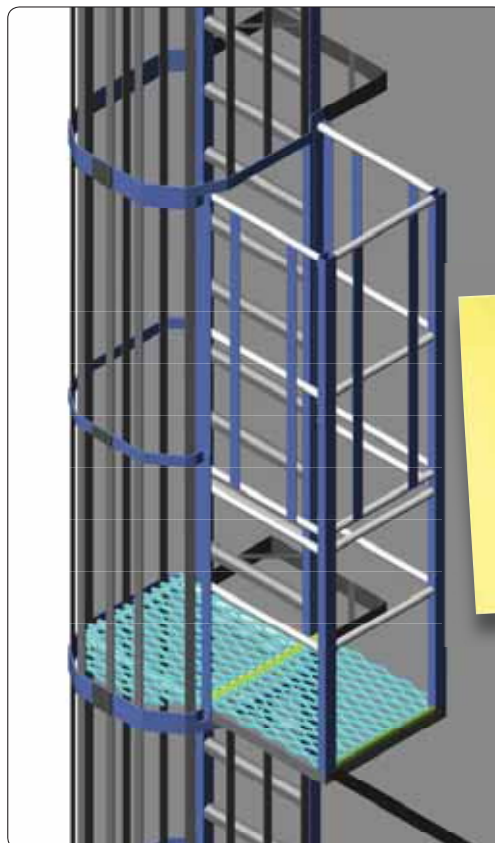
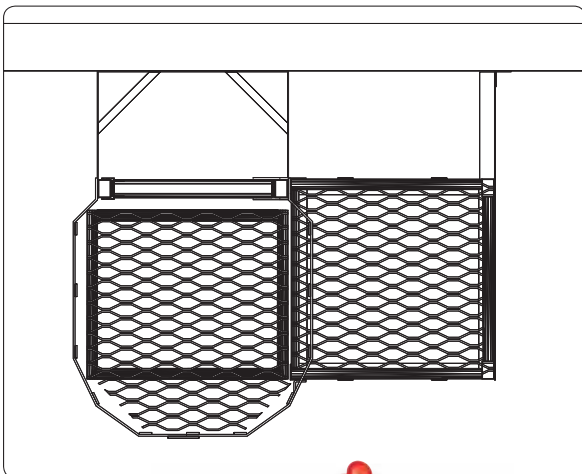
CODE	ITEM	DESCRIPTION	PRICE (EXCL. GST) AUD\$
VTLD21	VERTIC PARAPET PLATFORM	600mm parapet platform. (Cat D)	\$297.00



VTLD22	VERTIC GRABRAIL MODULE	The Vertic Grabrail Module is used for a handrail outside a roof hatch where there is no extendable stiles. (Cat D)	\$521.00
--------	------------------------	---	----------



VTLD23	VERTIC MIDWAY REST PLATFORM WITH TRAPDOOR	(Cat D)	\$2023.00
--------	---	---------	-----------



INSPECTION, MAINTENANCE & RECERTIFICATION AS/NZ 1891.4  
All Anchorages, Horizontal Rails, Access Systems, Horizontal and Vertical Lifelines and Safety Nets must be subjected to a 12 monthly inspection and recertification. All Anchorages must be checked before use.

Contact us for your COMPLETE PACKAGE PRICE, including the ENGINEERED DESIGN applicable to your project!



CODE	ITEM	DESCRIPTION	PRICE (EXCL. GST) AU\$
------	------	-------------	------------------------

UCAL H06 ULTIMATE CONCEALED ACCESS LADDER

The Ultimate Concealed Internal Access Ladder is suited to both commercial and domestic applications and is the highest quality ladder available. Unlike most brands available, our Ultimate Series is designed to always keep the steps with the same spacing, even the first. Other fantastic features include:

\$NETT



- High strength riveted construction
- Superior grade 9.5mm thick laminated MDF door panel ready for painting
- Complete with hook and pole for easy operation
- Smooth action gas struts (no bulky springs) means no slamming when closing
- Easier installation - no cutting of legs required as ladder is adjustable to suit height range
- Easy hang straps included to make installation faster and easier
- Heavy duty aluminium extrusions for added strength
- Aluminium steps are serrated to resist slipping
- Complete with hand rail (left handed available on request)
- Insulated door helps reduce energy costs
- Incorporated door seal to minimise drafts and dust
- Ladders come fully assembled
- Fits standard 600mm ceiling joist centres
- Injection moulded non-slip EVA feet
- Larger spacing between steps and door for safer footings

Code Number	(A) Ceiling Height (mm)	Approx Cut Out Size (mm)	(B) Landing Space (mm)	(C) Projection (mm)	Step WxLxD (mm)	Side Rail WxD (mm)	Door Panel (mm)	Price
UCALKASW06	2400 - 2635	560 x 1390	1587	1650	80 x 306 x 40	80 x 20	535 x 1363	\$995.00
UCALKASW07	2620 - 2850	560 x 1390	1700	1885	80 x 306 x 40	80 x 20	535 x 1363	\$1023.00
UCALKASW08	2810 - 3075	560 x 1390	1820	1885	80 x 306 x 40	80 x 20	535 x 1363	\$1080.00
UCALKASW09	3070 - 3360	560 x 1500	1972	2125	80 x 306 x 40	80 x 20	535 x 1473	\$1136.00

## ACCESSORIES

**HAND RAIL** - For the Ultimate Series there is also an additional hand rail available for the lower ladder section. The hand rail is supplied with bolts and can be fitted after the ladder installation if required.

**ARCHITRAVE KIT**  
(Available for Standard & Ultimate Series)  
For an attractive appearance, why not purchase an architrave kit that will suit all models.

- 3 sizes available
- 4 mitred lengths
- Pre-cut wooden architrave
- Primed white and ready to paint



**POLE, HOOK & EYE BOLT**  
(Available for Standard Series only)  
Available as an additional purchase on the standard series of ladders for easier opening.

- Adjustable pole
- Hook attached
- Eye bolt for fitting to ladder door



SAROF ROOF ACCESS HATCH PREMIUM 800 x 800mm

Premium Zinc access hatch

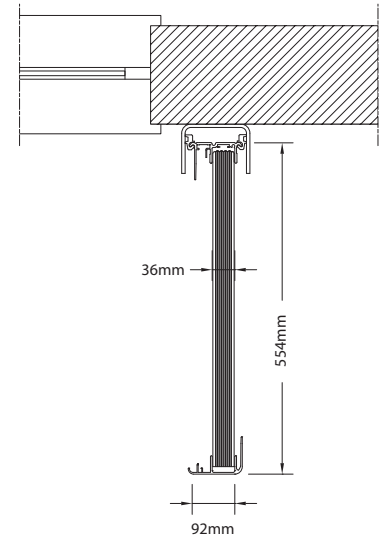
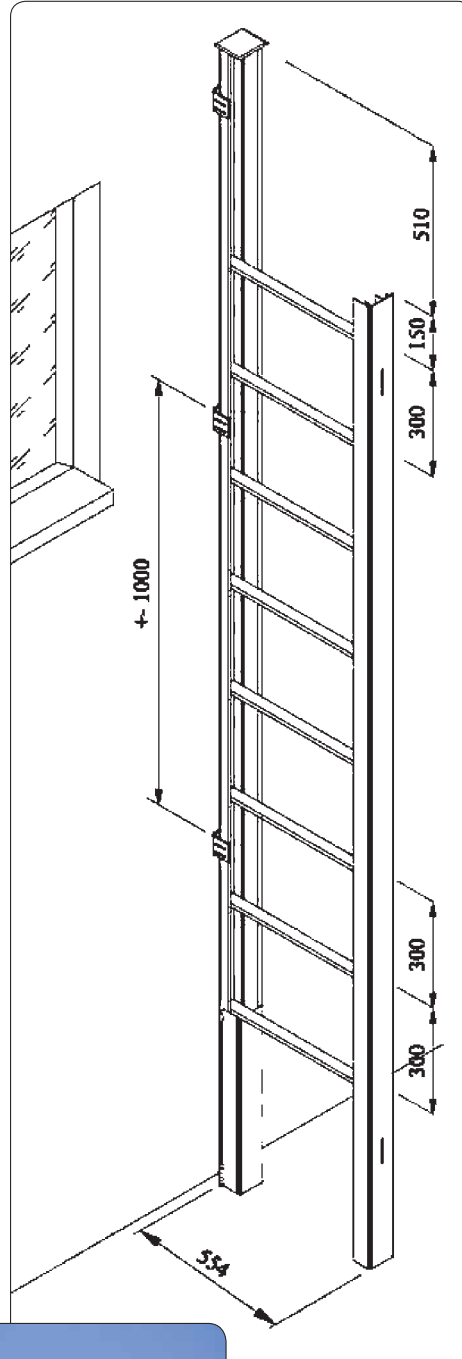
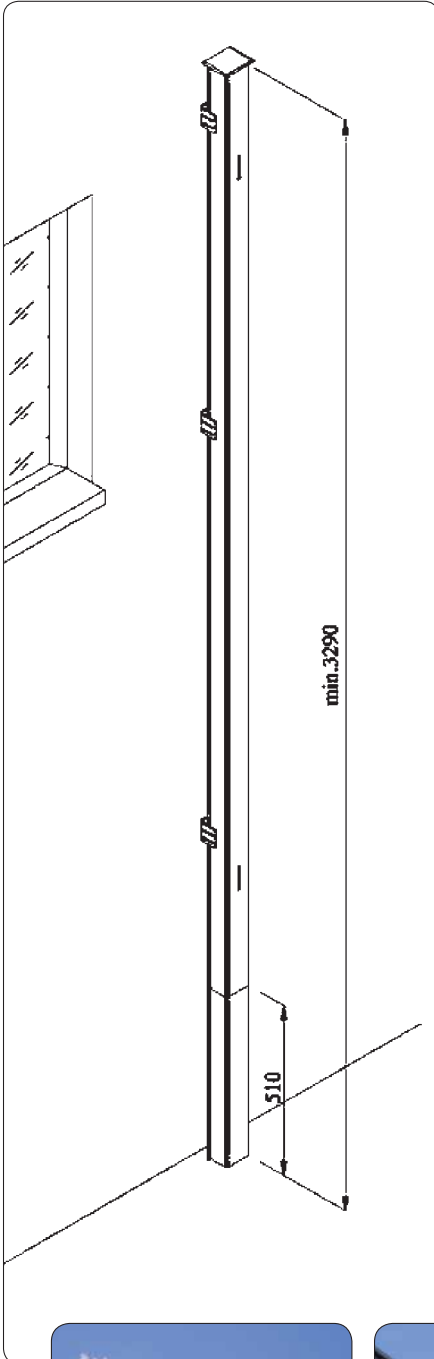
\$750.00 NETT

Other sizes available

Colorbond available on request



CODE	ITEM	DESCRIPTION	PRICE (EXCL. GST) AU\$
UCEJAL	ULTIMATE CONCEALED EXTERNAL JOMY ACCESS LADDER	The Jomy Access Ladder is an unobtrusive and concealed, providing safe and secure access to roofs.	\$480/m NETT



### TECHNICAL DATA

Plan Dimension: 92 x 84mm

Width Inside Rails: 448mm

Width Outside Rails: 554mm

Installed Width: 589mm

Rung Dimension: 36 x 22.5mm

Rung Spacing: 300mm

Closure: Manual. St/Steel, Spring assisted

Locking: Padlock to Clip through outer face

Installation: Wall Bracket @ +/- 1.0m spacing

Material: Aluminium Alloy 6063, Accessories, 18/8 St/Steel

Load Rating: 300Kg per Rung, 2500Kg @ Side Rail

Expansion Provision: Fixing clips so designed

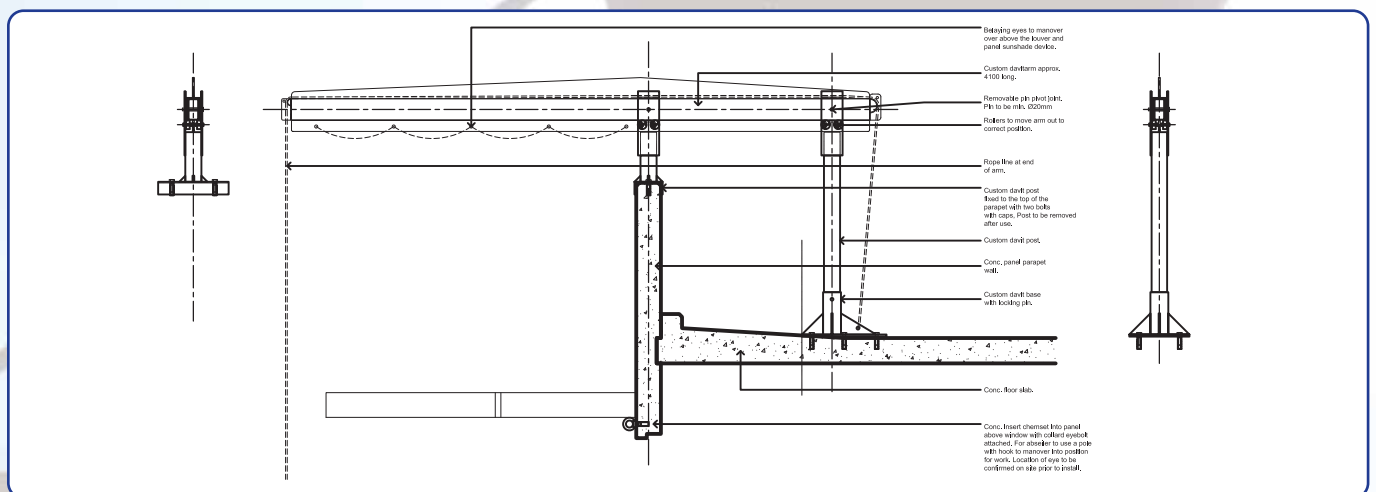
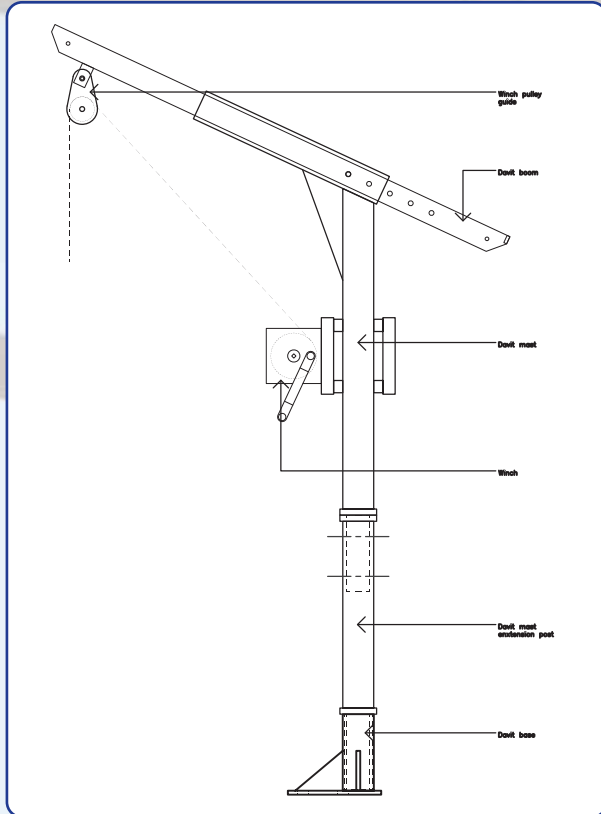
Weight: 4.2Kg per metre

Security: Burglar Proof Internal Locking

Warranty: 10 Year Unconditional - All Parts



## ENGINEERED DAVIT ABSEIL/RESCUE SYSTEM



Our Davit System is an ideal anchorage connector where temporary anchorages are required. Component based, you will be able to mix and match your product requirements as the line continues to expand. The surface mounted davit consists of a base, davit mast and davit boom. The ladder davit consists of a ladder-top base and davit mast.

The davit mast and boom, used in conjunction with our range of winches and PPE, provide the necessary requirements for accessing and retrieval into confined space. With the davit system, the components are interchangeable, so the system can be adapted to suit a wide range of applications.

CODE	ITEM	DESCRIPTION	PRICE (EXCL. GST) AUD\$
SAFP 6600/00	DAVIT FIXED BASE	ENTRY/RESCUE Davit fixed base - General purpose base (Cat F)	\$680.00
			
SAFP 6600/01	DAVIT FLUSH MOUNT CORE SLEEVE	ENTRY/RESCUE Davit concrete sleevebased core Flush mount core sleeve (Cat F)	\$340.00
			
SAFP 6600/02	DAVIT FLUSH MOUNT CORE SLEEVE WITH FLANGE	ENTRY/RESCUE Davit concrete sleeve with flange Flush mount sleeve with flange (Cat F)	\$540.00
			
SAFP 6670/24	STANDARD DAVIT MAST	ENTRY/RESCUE Standard davit mast To suit 300mm to 600mm boom (Cat F)	\$1723.00
			
SAFP 6670/48	DAVIT MAST FOR EXTENDED BOOM	ENTRY/RESCUE Mast for extended boom (655mm to 1200mm) (Cat F)	\$2813.00
SAFP 6680/24	DAVITBOOM	ENTRY/RESCUE Davit boom 300mm to 600mm Standard boom reach (Cat F)	\$479.00
SAFP 6680/48	DAVIT BOOM	ENTRY/RESCUE Davit boom 900mm to 1200mm Extended boom reach (Cat F)	\$1583.00

Contact us for your  
COMPLETE PACKAGE  
PRICE, including the  
ENGINEERED DESIGN  
applicable to  
your project!



# ENGINEERED DAVIT ABSEIL/RESCUE SYSTEM



CODE	ITEM	DESCRIPTION	PRICE (EXCL. GST) AU\$
------	------	-------------	------------------------

SAFP6661 LADDER MOUNTED DAVIT BASE

ENTRY/RESCUE Davit fixed base - General purpose base (Cat F)

\$620.00



Contact us for your COMPLETE PACKAGE PRICE, including the ENGINEERED DESIGN applicable to your project!

SAFP 6663/00 PORTABLE DAVIT BASE

ENTRY/RESCUE Portable davit base (Cat F)

\$3147.00



SAPPS PIT PROTECTION SYSTEM KIT

Kit includes: SASWI 1500X900 Safe-T-Net  
SAFP 6600/02 Davit Flush Mount Core Sleeve  
SAFP 6670/24 Standard Davit Mast  
SAFP 6680/24 Standard Davit Boom  
NC15TS Rescue Winch 15M  
Standard Baracade System

\$6942.00



(Cat F)

Note: The fixed items required for every pit are:  
SASWI NET: \$724.00  
DAVIT CORE SLEEVE: \$540.00

SARJ ROOF JOCKEY PORTABLE ABSEILING SYSTEM

The Roof Jockey is engineered to provide access for abseiling when the parapet is not able to carry the load or can't be damaged by rope being strung over them.  
Is also used to extend past obstructions.  
The Roof Jockey can be designed for many different application.

\$8500.00 NETT



# VERTIC FRP/ALUMINIUM GRATING, HANDRAILS AND ACCESS SYSTEMS



Provides safe pedestrian access to plant or equipment on roofs. Designed to meet the requirements of AS1657-1992. The aluminium walkway system can be installed without handrail or a handrail to one or both systems.

Safety Anchors continues to provide effective solutions for the market place, with the FRP walkway. Being a durable UV stabilised system, meeting the requirements of AS1657-1992, it is an excellent alternative to conventional walkways.

# ALUMINIUM/FIBREGLASS WALKWAY PRODUCTS



CODE	ITEM	DESCRIPTION	PRICE (EXCL. GST) AU\$
VTW1	WALKWAY & HANDRAIL	All fittings included to install walkway with handrail on one side only for metal/deck roof with 0-5° roof pitch. Available in 6m lengths Please enquire about other pitches (Cat E)	\$169.00/metre
VTW2	WALKWAY & HANDRAIL	All fittings included to install walkway with handrail on both sides for metal/deck roof with 0-5° roof pitch. Available in 6m lengths Please enquire about other pitches (Cat E)	\$231.00/metre
		<ul style="list-style-type: none"> <li>• High resistance to slip</li> <li>• Lightweight</li> <li>• Maintenance-free non-corrosive aluminium</li> <li>• Simply installed to all metal deck roof sheeting</li> </ul>	
VTW3	WALKWAY	All fittings included to install walkway on metal/deck roof with 0-5° roof pitch Available in 6m lengths Please enquire about other pitches (Cat E)	\$90.20/metre
VTW5	FRP WALKWAY 15mm	All fittings included to install walkway Available in 3.6m lengths Quick and easy - lay up to 200 metres per day! (Cat E)	\$78.00/metre
		<p>Moulded grating is made by manually laying the fibreglass strands BiDirectional. Once the desired thickness is met the resin is then added. Because the grating is "cast" in one piece, there is no mechanical joint between bearing bars, unlike the pultruded grating where the glued joints can give way in heavy continuous traffic or after prolonged service.</p> <p>The high percentage of resin (65%) in moulded grating offers superior corrosion resistance. The moulded grating with a square mesh pattern offers increased load capacity and panel utilization due to this bi-directional trait.</p> <p>Cuffing access holes in the molded grating does not weaken the panel and does not require additional or costly supports.</p> <p>Safety Anchors moulded grating is engineered to meet the requirements of Australian Standard AS 1657-1992.</p> <p>Premium grade vinyl ester resin offers superior resistance to corrosion over a broad range of chemicals coupled with elevated temperatures. Both types of resin systems come standard with U.V. inhibitors and fire retardants conforming to class 1 flame spread rating of less than 10 when tested to the Tunnel Test requirements of ASTM E-84.</p>	

CODE	ITEM	DESCRIPTION (Cat E)	PRICE (EXCL. GST) AU\$
AS136006		13mm Walkway Grating 600(W) x 6000(L)mm	\$398.12
AS136006K		13mm Walkway Grating - Knurled Finish 600(W) x 6000(L)mm	\$409.16
AS136005K		13mm Walkway Grating - Knurled Finish 600(W) x 5000(L)mm	\$340.97
AS226006		22mm Walkway Grating 600(W) x 6000(L)mm	\$504.63
AS226006K		22mm Walkway Grating - Knurled Finish 600(W) x 6000(L)mm	\$518.61
AS226005K		22mm Walkway Grating - Knurled Finish 600(W) x 5000(L)mm	\$432.18
AS30500		30mm Walkway Grating - Knurled Finish 500(W) x 6000(L)mm	\$647.74
AS30250		30mm Stairtread Grating - Knurled Finish 250(W) x 6000(L)mm	\$361.76
AS30250S		30mm Slotted Boardwalk Grating 250(W) x 6000(L)mm	\$404.89
AS40500		40mm Walkway Grating - Knurled Finish 500(W) x 6000(L)mm	\$717.24
AS40250A		40mm Stairtread Grating - Knurled Finish 250(W) x 6000(L)mm	\$439.24
AS567		Stairtread End Bar To Suit 30mm Stairtread Grating, 4m	\$39.00
AS514		Stairtread End Bar To Suit 40mm Stairtread Grating, 4m	\$44.43
AS510		22mm Grating End Bar, 4.8m	\$31.26
AS588		22mm Grating End Bar, Cut to Length 596 mm	\$7.02
AS508A		22mm Grating Joiner Bar, 6m	\$63.84
AS586		22mm Grating Joiner Bar, Cut to length 596 mm	\$10.29
AS601		Grating Retaining Disc	\$1.23
AS556		Walkway / Handrail Support, 6m	\$120.93
AS600		12-10 x 45mm Tek Screw - Class 3 Finish	\$0.18
AS550		Walkway Support Channel, 6m	\$54.24





CODE	ITEM	DESCRIPTION (Cat E)	PRICE (EXCL. GST) AU\$
AS568		Special Walkway Support Channel, 6m	\$47.57
AS532		Walkway Grating Cleat Bar, 12 x 10 mm x 4.8m	\$22.62
AS604		Aluminium Rivet, 4.8 Dia x 25mm Grip	\$0.19
AS607		F/C Roof Sheeting Walkway Support, 6m	\$161.52
AS605		Bulb-Tite Aluminium Rivet, 5.2 Dia x 12mm Grip	\$0.97
AS511		13mm Grating End Bar, 4.8m	\$25.66
AS589		13mm Grating End Bar, Cut to length 596 mm	\$7.11
AS509A		13mm Grating Joiner Bar, 6m	\$57.42
AS587		13mm Grating Joiner Bar, Cut to length 596 mm	\$9.63
AS529		30mm Grating End Bar, 4.0m	\$19.59
AS528		30m Grating Joiner Bar, 4.0m	\$48.90
AS513		40mm Grating End Bar, 4.0m	\$24.96
AS512		40mm Grating Joiner Bar, 4.0m	\$24.96
AS501		Handrail Post - Standard Duty, 6m	\$93.21
AS506		Handrail Post Reinforcement, 6m	\$134.70
AS551A		Tie Beam Extrusion, 6m	\$134.70
AS561A		Knee Rail Tube, 6m	\$51.36
AS563		Knee Rail Tube - Bendable, 5m	\$39.69
AS505		Knee Rail Saddle Bracket Extrusion, 3m	\$32.40
AS503		Handrail Post Base Connector Bracket Extrusion, 4.8m	\$114.66
AS504		Handrail Saddle Bracket Extrusion, 4.8m	\$133.32
















CODE	ITEM	DESCRIPTION (Cat E)	PRICE (EXCL. GST) AU\$
AS554		50x50x4mm Angle, 6m	\$82.57
AS553		50x50x3mm Angle, 6m	\$62.41
AS518		Handrail Splice Extrusion, 3m	\$28.80
AS519		Knee Rail Splice Extrusion, 3m	\$14.34
AS522		Angle 60x60x6mm, 6m	\$158.25
AS555		Angle 80x80x6mm, 6m	\$213.78
AS560		Handrail Tube, 6m	\$99.38
AS562		Handrail Tube - Bendable, 5m	\$85.68
AS537		Flat 50x10mm, 4m	\$77.34
AS539		Flat 160x10mm, 4m	\$247.50
AS538		Flat 100x12mm, 4m	\$154.68
AS520		Toe-Board Extrusion, 6m	\$91.41
AS502		Handrail Post - Heavy Duty, 6m	\$162.99
AS603		Stainless Steel Rivet, 4.0 Dia x 6.4mm Grip	\$0.31
AS602		Stainless Steel Rivet, 4.0 Dia x 9.5mm Grip	\$0.42
AS606		M12 Galvanised Flat Washer	\$0.14
AS607		M12 Galvanised Spring Washer	\$0.19
AS608		M12x100mm Galvanised Bolt & Nut	\$1.83
AS609		M12x85mm Galvanised Bolt & Nut	\$1.70
AS610		M12x45mm Galvanised Bolt & Nut	\$0.81
AS614		Tie Beam For 600mm Wide Walkway	\$75.25



Contact us for your  
COMPLETE PACKAGE  
PRICE or an EASY  
COSTING EXCEL  
SPREADSHEET applicable  
to your project!

CODE	ITEM	DESCRIPTION (Cat E)	PRICE (EXCL. GST) AU\$
AS617		Intersection Tie Beam For 600mm Wide Walkway	\$68.44
AS620		Intersection Cross Tie Beam For 600mm Wide Walkway	\$117.71
AS623		Beam Splice Plate - Horizontal	\$131.32
AS624		Reversible Beam Splice Plate - To Angle of Stairway	\$155.44
AS625		Post Bolting Plate	\$16.27
AS626		Beam Corner Connector	\$44.89
AS627		Stringer Beam Angle Foot - To Angle of Stairway	\$31.19
AS628		Post Foot - Horizontal Mount	\$78.71
AS629		Post Foot - Vertical Mount	\$95.53
AS585		Knee Rail Saddle Bracket, cut	\$2.94
AS569		Knee Rail Saddle Bracket, cut to angle - LH	\$3.18
AS569A		Knee Rail Saddle Bracket, cut to angle - RH	\$3.18
AS573		Handrail Bend, formed to angle	\$56.25
AS575		Knee Rail Bend, formed to angle	\$42.33
AS576		90 Degree Closure Bend	\$63.45
AS695		Closure Bend, to angle of stairway	\$74.46
AS590		Handrail Splicer, cut	\$5.82
AS591		Knee Rail Splicer, cut	\$4.86
AS597		Accsys System Flooring Support For Stairways - For 600mm Wide	\$61.05
AS630		Stair Tread - For 600mm Wide	\$102.87
AS594		Handrail Post Reinforcement, cut	\$10.50



CODE	ITEM	DESCRIPTION (Cat E)	PRICE (EXCL. GST) AU\$
AS583		Handrail Post Base Connector Bracket, cut	\$3.78
AS599		Handrail Post Base Connector Bracket, cut to angle	\$4.32
AS581		Handrail End Cap - Cast	\$3.95
AS582		Knee Rail End Cap - Cast	\$2.33
AS648		Closure Bend - To Roof Pitch, reversible for top & bottom	\$74.46
AS584		Handrail Saddle Bracket, cut	\$3.99
AS662		Handrail Saddle Bracket, cut to angle	\$4.62
AS580		Handrail To Knee Rail Reducer	\$9.00
AS570		90 Degree Cast Handrail Elbow	\$11.17
AS571		90 Degree Cast Knee Rail Elbow	\$8.05
AS652		Handrail Post Strut, 500mm	\$12.15
AS577		Handrail Adjustable Elbow Set	\$31.50
AS578		Knee Rail Adjustable Elbow Set	\$30.00

Contact us for your  
**COMPLETE PACKAGE**  
PRICE or an EASY  
COSTING EXCEL  
SPREADSHEET applicable  
to your project!





## STAINLESS STEEL HANDRAILING SYSTEM

316 GRADE



### Modular Railing & Glass Clamp Systems

- Available in pre-cut and drilled kit form for an easy on-site installation.
- High quality 316L grade stainless steel in 300 grit or mirror finish.
- 2.6mm wall thickness tube for extra strength.
- Fully modular - no welding required.
- Commercial or residential applications.
- Can be used with glass, rod, cable or Webnet infill.
- Able to accommodate timber top rail.



# ALTRAC HORIZONTAL LIFERAIL SYSTEMS



The ALTRAC fall arrest system has proved itself an effective and practicable safety solution. It can be easily mounted to the top of a building or to the inside of a roof of a factory. Suitable for both fall arrest and abseiling, ALTRAC is suitable for cleaning and maintaining of building facades and windows. A simple free standing monorail can also be set up at mining and construction site for accessing trucks, equipment and cranes.



# ALTRAC HORIZONTAL LIFERAIL SYSTEMS



Safety Anchors specialises in Altrac, a lightweight, low maintenance, attractive, adaptable and safety tested rail system that can be tailored to almost any application.

The T slots along the top of the rail allow brackets to be easily attached and adjusted on the spot during installation. The track can also be easily extended with the extension kit.

## **BENEFITS OF ALTRAC:**

### **STRONG**

High tensile strength - tested to Australian Standards

### **LIGHTWEIGHT**

Easy to install  
Less than 7kg per metre

### **MODULAR ASSEMBLY**

Pre-engineered for modular assembly. Altrac has been designed for ease of installation as a bolt together system

### **AESTHETICALLY PLEASING**

Smooth lines - Altrac has been used in architectural design for building projects

### **NO SURFACE COATING REQUIRED**

No flaking of materials eg paint, on to area below

### **DOES NOT CORRODE**

No unsightly stain marks from rust

### **SELF CLEANING**

The surface of the track does not become contaminated by the build up of dirt and dust - ideal for food, beverage and pharmaceutical applications

### **EXTENDABLE**

Track may be added to at a later date with the use of a Splice Kit

### **SUPPLY TO LENGTH**

Altrac may be supplied in one continuous length up to 12m. Lengths can be easily connected to the required size

### **NO SITE WELDING**

No welding, no fire/safety hazard at time of installation

### **COST EFFECTIVE**

Time saving on installation and maintenance

### **NO SPECIAL ASSEMBLY TOOLS**

Only basic tools required, no welders, no special widgets

### **ADAPTABLE**

May be supplied in curved sections to suit application as a monorail or gantry crane

### **MADE IN AUSTRALIA**

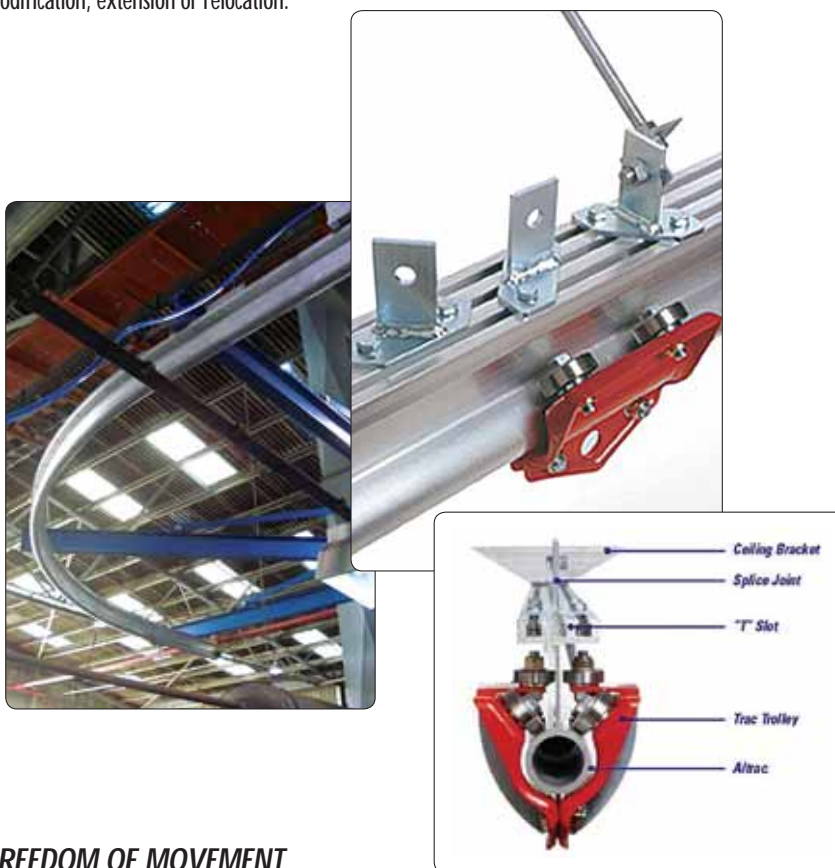
## **TECHNICAL FEATURES**

The Altrac rail is a marine grade corrosion resistant aluminium alloy extruded curved section and as such is self cleaning and thereby will not require any other surface coatings.

Safety Anchors can supply Altrac rail in lengths of 12m and in curved sections. Its high tensile strength means that fewer supports are required enabling a span of up to 5m for two people. This strength equates not only to a safer system but also cost savings, as fewer structural supports are required, reducing materials installation times and weight within the roofing structure.

The key to the ease of assembly of the Altrac fall arrest system is the range of standard brackets and mountings, plus the provision of T slots in the extruded track section upper flange, to allow the use of captive nut fasteners. The three slots give unlimited scope for the positioning of the suspension brackets and mounting locations. A full range of structural brackets is available to easily and safely install and support the complete system. All that is required is a single spanner and an electric drill.

The fall arrest system being light weight and modular can be quickly and easily installed allowing for future modification, extension or relocation.



## **FREEDOM OF MOVEMENT**


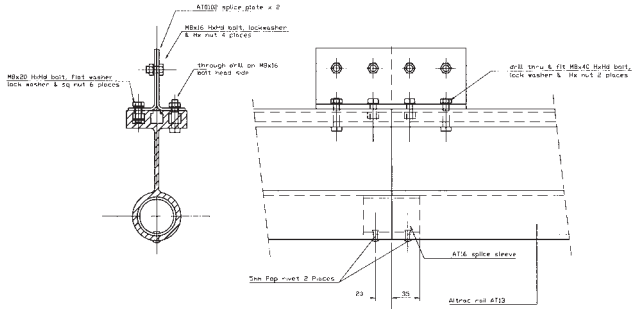

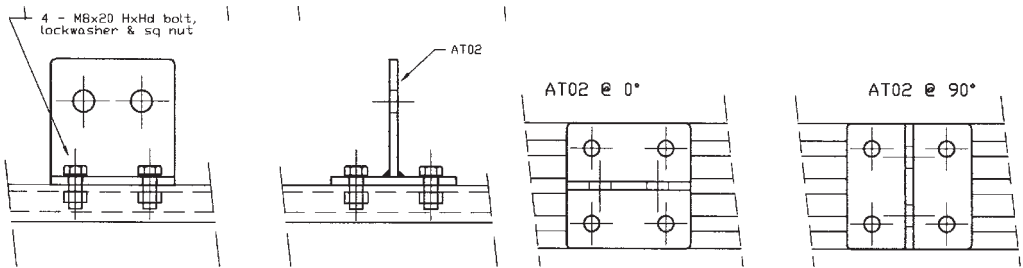

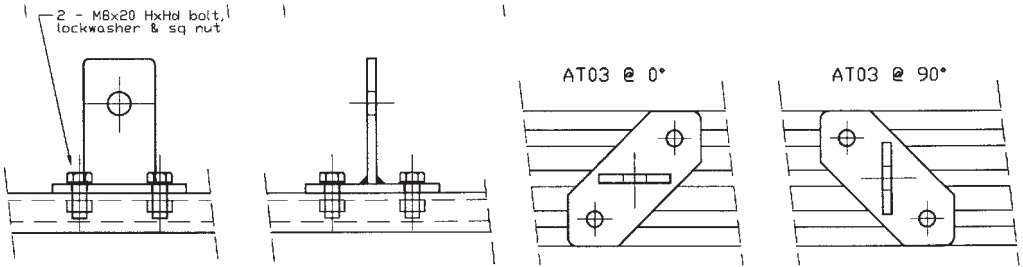
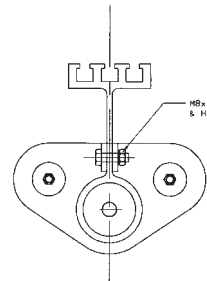
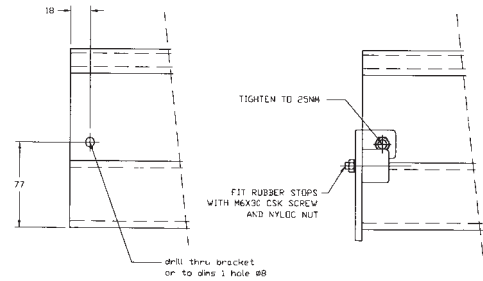
The smooth surface of the Altrac coupled with a rolling resistance of less than 0.5% enables ease of movement, unrestricted by the weight of the supporting system trolley.

Freedom of travel around the complete run of the Altrac System including curved sections, ensuring continued connection and allays the inconvenience of disconnecting from one trolley to another as with other systems.

All wheels remain in contact with the Altrac fall arrest system at all times, ensuring a free running system reducing the risk of jamming and/or skewing.

The Altrac system is Australian designed, tested and manufactured. Extruded in Australia using Australian materials of the highest integrity, each batch is tested by a NATA Accredited Laboratory with tensile testing in accordance with AS 1391 and chemical analysis.

Because of Altrac's aesthetic features, superior quality and strength Safety Anchors have been sort by Architects and supplied to our extensive installer network for large contract builders, transportation and logistics industry, manufacturing industry and many Blue chip organisations.



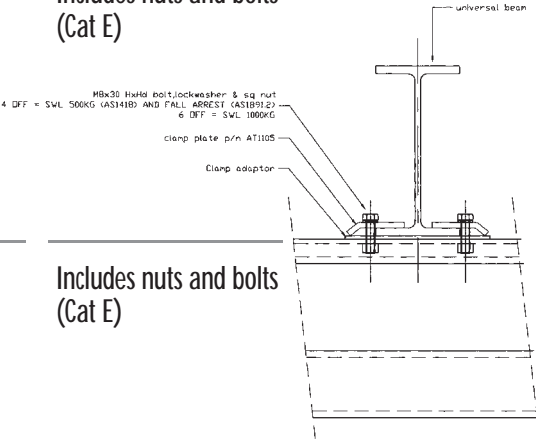

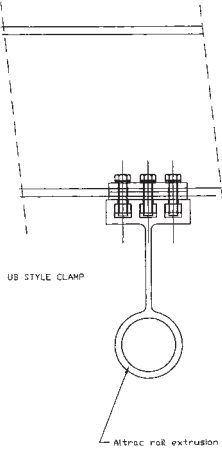


CODE	ITEM	DESCRIPTION	PRICE (EXCL. GST) AU\$
SAAT01	SPLICE KIT	Includes 2 folded plates, tube, bolts, nuts and rivets. (Cat E)	\$75.20
			
SAAT02	TWO BOLT HANGER	Includes nuts and bolts for rail (but not support). (Cat E)	\$40.00
			
SAAT03	SINGLE BOLT HANGER	Includes 2 folded plates, tube, bolts, nuts and rivets. (Cat E)	\$35.20
			
SAAT06	END STOP	Includes bolts and rubber stop. (Cat E)	\$96.00
			
SAAT07	MEDIUM DUTY JIB HANGER KIT	(Cat E)	\$67.20
SAAT08	HEAVY DUTY JIB HANGER KIT	(Cat E)	\$80.00

Contact us for your COMPLETE PACKAGE PRICE, including the ENGINEERED DESIGN applicable to your project!



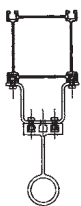
# ALTRAC HORIZONTAL LIFERAIL SYSTEMS



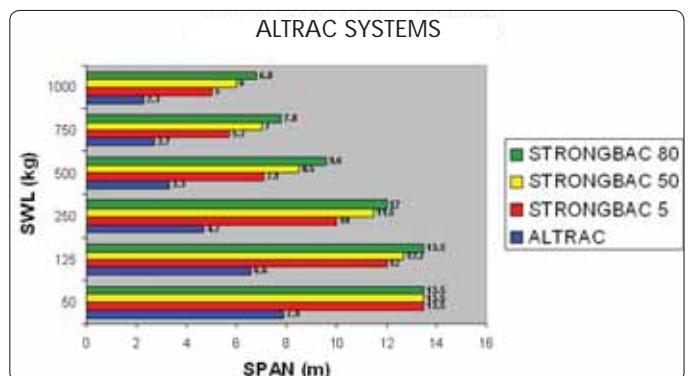
CODE	ITEM	DESCRIPTION	PRICE (EXCL. GST) AUD\$
SAAT10	BRIDGE HANGER	Includes nuts, bolts and shackle (Cat E)	\$83.20
			
SAAT10F	BRIDGE HANGER KIT FOLDED	(Cat E)	\$83.20
SAAT11/150UB	UB CLAMP	Includes nuts and bolts (Cat E)	\$32.00
			
			
SAAT11/180UB	UB CLAMP	Includes nuts and bolts (Cat E)	\$38.40
			
			
SAAT1105	CLAMP PLATE 7mm FOLD ZP	(Cat E)	\$11.20
SAAT13	ALTRAC RAIL SECTION	Extruded Aluminium rail. Rated at 15kN for 6m spans. Rated at 22kN for 5m spans. (Cat E)	\$168.00
			
			


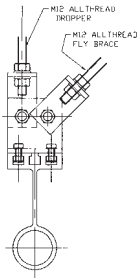
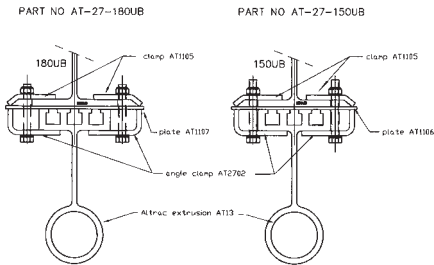
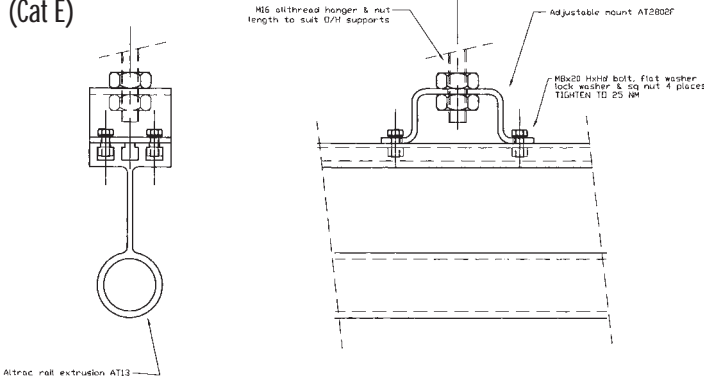

## SAAT1330 STRONGBAC (Cat E)

\$144.00



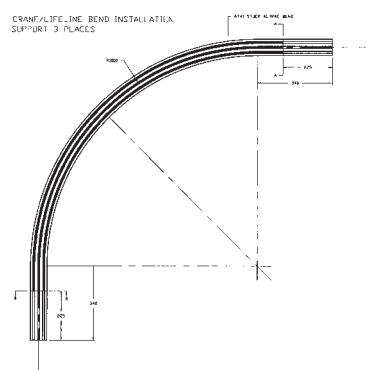

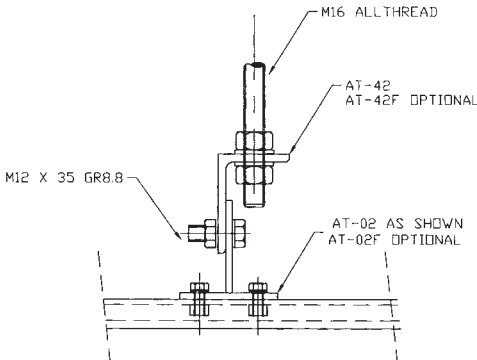
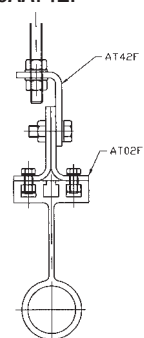
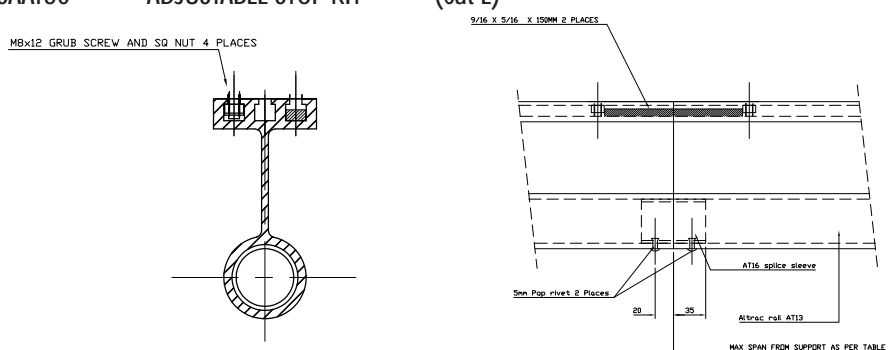
StrongBac, is designed for use with Altrac extruded aluminium rail system that will increase the span length between supports without complicated installation or excessive weight added. Unlike heavier steel structures, StrongBac weighs less than 6kg per metre which allows longer spans between supports. It will enable a load of 250kg to span 11.5m or 500kg over 9m without intermediate supports (see chart below). It does not affect the rolling resistance of the trolleys. This product is simple and relatively inexpensive to install and can be retrofitted to existing Altrac systems.



CODE	ITEM	DESCRIPTION	PRICE (EXCL. GST) AUD\$
SAAT14	MOUNT ADAPTER	General purpose mount adapter (Cat E)	\$17.60
			
SAAT2110	CONDUCTOR BAR SUPPORT BRACKET	(Cat E)	\$16.00
SAAT24	CONCRETE CEILING MOUNT	(Cat E)	\$75.20
SAAT24F	CONCRETE CEILING MOUNT KIT	(Cat E)	\$75.20
SAAT25	ALTRAC EXTRA HEAVY DUTY HANGER	(Cat E)	\$132.80
SAAT27/ 150UB	ALTRAC 150UB LONGITUDE CLAMP	(Cat E)	\$128.00
		 <p>4 DIFF = SVL 550KG GAS14183 AND FULL JAMESI (AC109)27 5 DIFF = SVL 1000KG</p>	
SAAT27/ 180UB	ALTRAC 180UB LONGITUDE CLAMP	(Cat E)	\$132.80
		 <p>M16 allthread hanger &amp; nut length to suit (1/1) supports</p> <p>Adjustable mount AT2800F</p> <p>M8x20 Hold bolt, flat washer, lock washer &amp; sq nut - 4 pieces TIGHTEN TO 25 Nm</p> <p>Altrac rail extrusion AT13</p>	
SAAT28	ALTRAC ADJUSTABLE SUPPORT	(Cat E)	\$67.20
SAAT28F	ALTRAC ADJUSTABLE MOUNTED - F	(Cat E)	\$67.20
SAAT31	STANDARD CATHEAD CONNECTION	(Cat E)	\$211.20
			

# ALTRAC HORIZONTAL LIFERAIL SYSTEMS

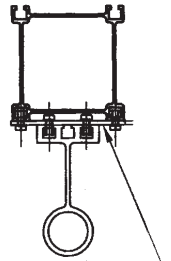


CODE	ITEM	DESCRIPTION	PRICE (EXCL. GST) AUD\$
SAAT41	ALTRAC BEND	(Cat E)  	\$920.00
SAAT42	HEAVY DUTY ADAPTER BRACKET (WELDED)	(Cat E) 	\$51.20
SAAT42F	HEAVY DUTY ADAPTER BRACKET (FOLDED)	(Cat E)  <div data-bbox="598 1075 933 1422" data-label="Text"> <p>INSPECTION, MAINTENANCE &amp; RECERTIFICATION AS/NZ 1891.4 All Anchorages, Horizontal Rails, Access Systems, Horizontal and Vertical Lifelines and Safety Nets must be subjected to a 12 monthly inspection and recertification. All Anchorages must be checked before use.</p> </div> <div data-bbox="957 1097 1292 1433" data-label="Text"> <p>Contact us for your COMPLETE PACKAGE PRICE or an EASY COSTING EXCEL SPREADSHEET applicable to your project!</p> </div>	\$51.20
SAAT44	MEDIUM DUTY ADAPTER BRACKET	(Cat E)	\$40.00
SAAT50	ADJUSTABLE STOP KIT	(Cat E) 	\$96.00
SAAT50-F	ADJUSTABLE STOP KIT FOLDED	(Cat E)	\$96.00

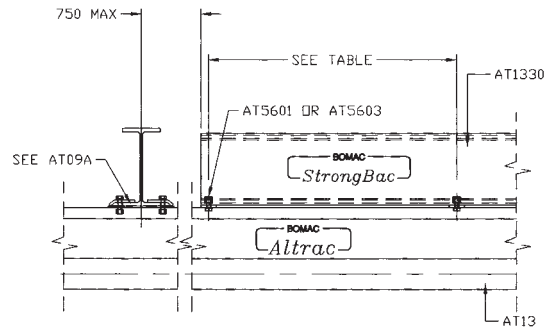
CODE	ITEM	DESCRIPTION	PRICE (EXCL. GST) AUD\$
------	------	-------------	-------------------------

SAAT52	ALTRAC WALL SUPPORT KIT	(Cat E)	\$228.80
--------	-------------------------	---------	----------

SAAT565	SAAT1330 CONNECTOR KIT 5MM	(Cat E)	\$4.80
---------	----------------------------	---------	--------

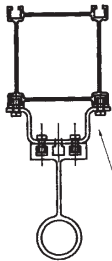


AT5601 FOR AT1330 CONNECTION ONLY



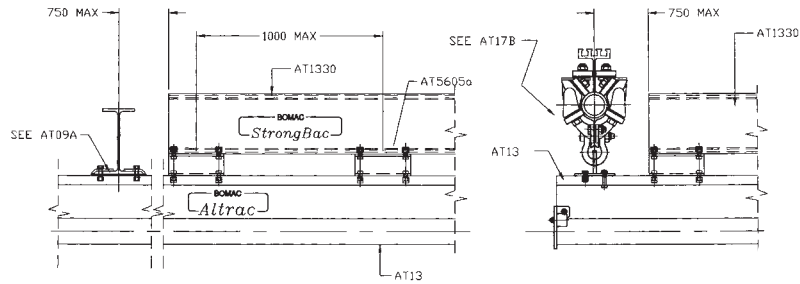
TYPICAL LONG TRAVEL RAIL  
FOR ILLUSTRATION PURPOSES ONLY

SAAT5650	SAAT1330 CONNECTOR KIT 50MM	(Cat E)	\$9.60
----------	-----------------------------	---------	--------



AT5606a FOR AT1330 CONNECTION ONLY

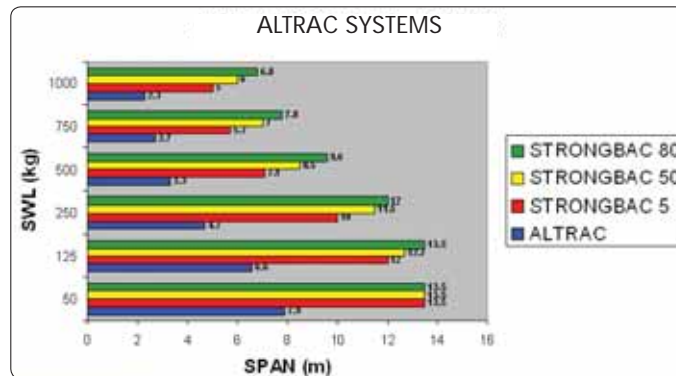
NOTE FOR CATENARY OR CONDUCTOR BAR SEE DWG AT21A



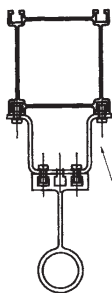
TYPICAL LONG TRAVEL RAIL

TYPICAL BRIDGE RAIL

FOR ILLUSTRATION PURPOSES ONLY

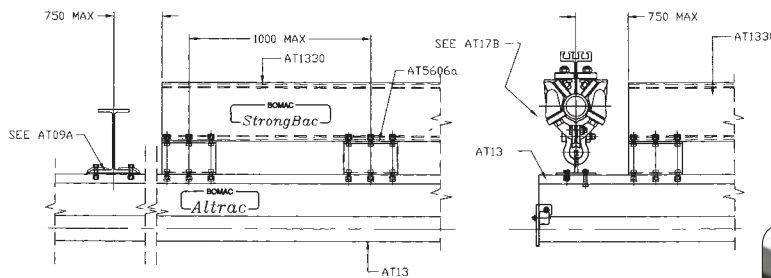


SAAT5680	SAAT1330 CONNECTOR KIT 80MM	(Cat E)	\$14.40
----------	-----------------------------	---------	---------



AT5606a FOR AT1330 CONNECTION ONLY

NOTE FOR CATENARY OR CONDUCTOR BAR SEE DWG AT21A



TYPICAL LONG TRAVEL RAIL

TYPICAL BRIDGE RAIL

FOR ILLUSTRATION PURPOSES ONLY





# ALTRAC HORIZONTAL LIFERAIL SYSTEMS



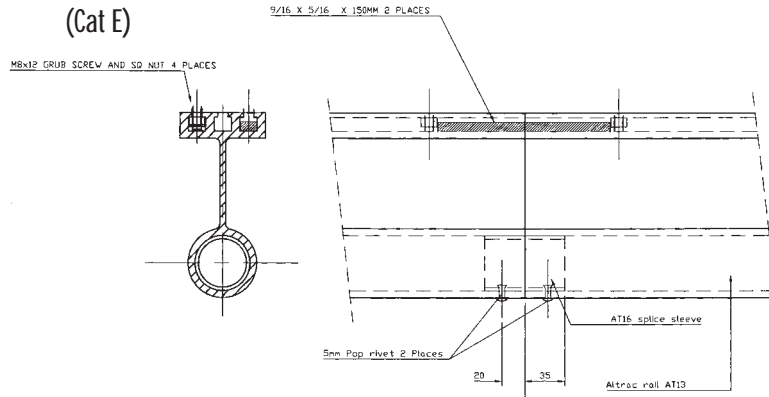
CODE      ITEM      DESCRIPTION      PRICE (EXCL. GST) AUD\$

SAAT59

ALTRAC LOW PROFILE  
SPLICE KIT

(Cat E)

\$75.20

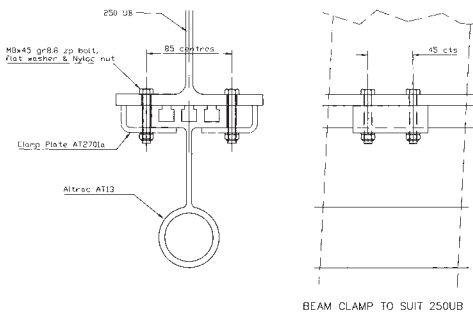


SAAT60

ALTRAC CLOSE COUPLE  
CLAMP

(Cat E)

\$40.00

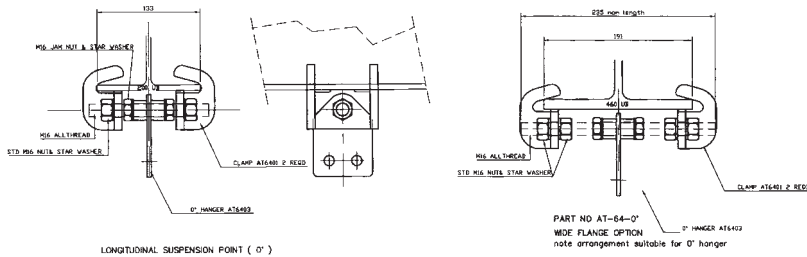


SAAT64-0

ADJUSTABLE UB CLAMP  
KIT 0 DEGREES

(Cat E)

\$158.40

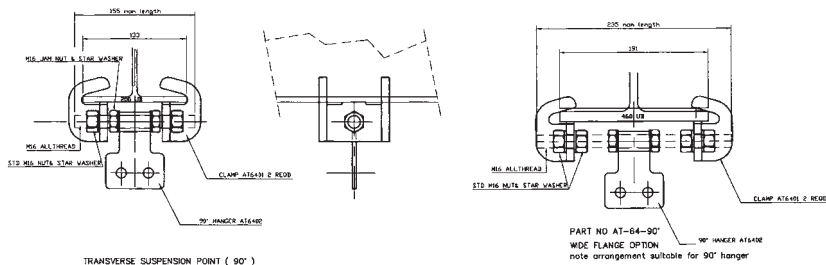


SAAT64-90

ADJUSTABLE UB CLAMP  
KIT 90 DEGREES

(Cat E)

\$158.40



SAAT6404

ALTRAC ADJUSTABLE UB  
CLAMP KIT

(Cat E)

\$158.40

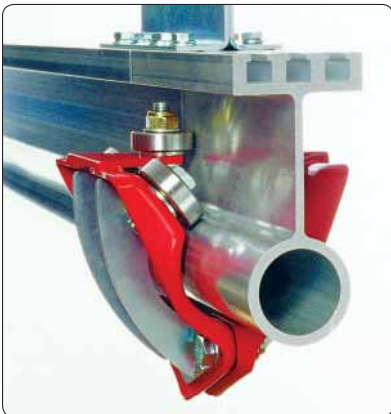
CODE	ITEM	DESCRIPTION	PRICE (EXCL. GST) AUD\$
SATT07	BASIC 4 WHEEL TROLLEY	Basic 4 wheel rated trolley	\$355.20



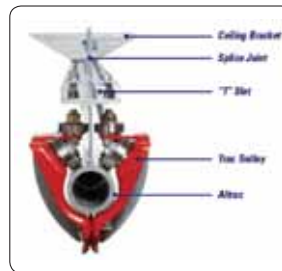
Powder coated side plates  
500kg SWL  
Rated for 1 person  
(Cat E)

**INSPECTION, MAINTENANCE & RECERTIFICATION AS/NZ 1891.4**  
All Anchorages, Horizontal Rails, Access Systems, Horizontal and Vertical Lifelines and Safety Nets must be subjected to a 12 monthly inspection and recertification. All Anchorages must be checked before use.

SATT08	6 WHEEL TROLLEY	6 wheel rated trolley	\$438.40
--------	-----------------	-----------------------	----------



Fitted with 4 load and 2 side guide wheels to accommodate side loading  
Powder coated side plates  
Rated for 1 person  
(Cat E)

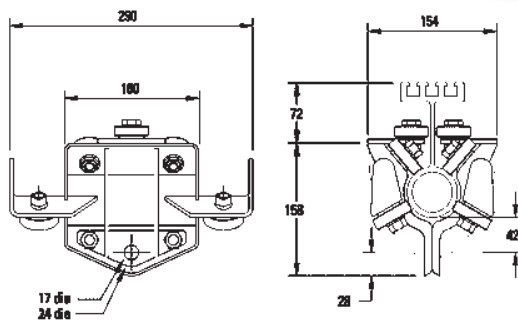


SATT09	10 WHEEL TRO	10 wheel rated trolley	\$675.20
--------	--------------	------------------------	----------



Powder coated side plates  
Rated for 1 person  
(Cat E)

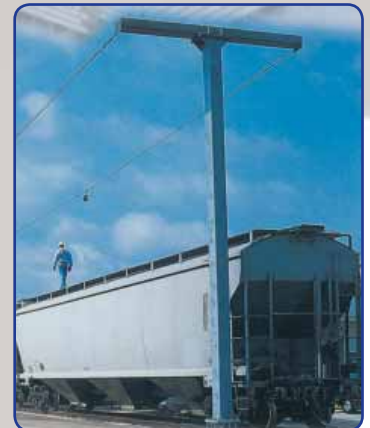
Contact us for your **COMPLETE PACKAGE PRICE** or an **EASY COSTING EXCEL SPREADSHEET** applicable to your project!



# VAS

DESIGNERS & PROFESSIONAL ADVISORS  
IN PROVIDING SAFE ACCESS SYSTEMS FOR VEHICLES

VEHICLE ACCESS SYSTEMS  
A DIVISION OF SAFETY ANCHORS PTY LTD



Vehicle Access Systems have developed innovative, reliable and cost effective solutions to problems associated with access, inspection and maintenance at height on vehicles. These systems provide safe access to the roof of the vehicle through either a permanently fixed system on the roof of the vehicle, an engineered overhead fall arrest system, engineered drop down gangway or a safety mobile ladder.



**SAFE-T-NETT / ROPE SAFETY NETS**

SUITABLE FOR MOST VOIDS, OPENINGS & SERVICE PITS (INCLUDING PALLET RACKING)



The ability to customise each SafeTNett provides the ultimate protection for workers in every application.

SafeTNett can be used in many different applications, including: Sewer/Ground Pits, Stair Wells and Voids, Domestic & Commercial Roof Truss Installation, Mechanical Service Pits, Trench Protection and many more applications, including debris protection, preventing goods falling off pallet racking.

SafeTNett has been tested to withstand forces greater than 22kN.

SafeTNett is an interlaced nylon webbing stitched together in a grid arrangement, spaced 250mm apart and anchored by stainless steel brackets to surrounding walls and floor. Each strap is attached to the bracket by means of multiple slots which allow for adjustment to fit different sized voids.

The brackets come in many different types depending on the requirement and location of the void.

1. Mainstay bracket is the primary bracket used for all configurations.
2. Swivel brackets must be fastened to the bottom plate of the frame.
3. Quick release brackets are specifically designed to allow access through the net for workers and material to the floor above.
4. Rap around bracket and many more.

SafeTNett has been exhaustively tested to hold in excess 100kg freefalling from 7 metres.

**CONVENIENT**

SafeTNett provides certified installers who will ensure correct erection of the best protection a tradesman can have this allows your workers to concentrate their time productively.

**PEACE OF MIND**

By making workers feel safer, SafeTNett will create a more secure and productive working environment.



CODE	ITEM	DESCRIPTION	PRICE (EXCL. GST) AU\$
SASW1	SEWER/GROUND PIT SAFETNETT 1500 x 900	<p>SafeTNett affords total protection to workers in and around pits. SafeTNett is an interlaced webbing system anchored by various stainless steel brackets. This grid arrangement, whilst protecting workers from falls, will not impair or compromise your ability for visual inspections or taking of samples.</p> <p>Quick release bracket will permit entry of personell or the removal of equipment. When combined with Concrete Anchors, provides excellent protection when observing a confined spaces entry.</p> <p>(Cat F)</p>	\$724.21 Including Fittings



SASV1	SERVICE PIT SAFETNETT 2500 x 900	<p>SafeTNett is purpose designed and manufactured to reduce injury from falls through voids, openings and service pits. When fitted with quick release brackets, SafeTNett can allow access to service pit and will not interfere with day to day maintenance.</p> <p>(Cat F)</p>	\$970.43 Including Fittings
-------	-------------------------------------	---	--------------------------------







Contact us for your **COMPLETE PACKAGE PRICE**, including the **ENGINEERED DESIGN** applicable to your project!

**INSPECTION, MAINTENANCE & RECERTIFICATION AS/NZ 1891.4**  
All Anchorages, Horizontal Rails, Access Systems, Horizontal and Vertical Lifelines and Safety Nets must be subjected to a 12 monthly inspection and recertification. All Anchorages must be checked before use.



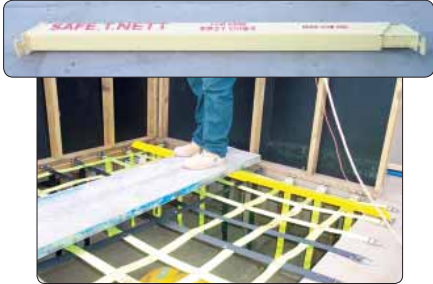

## SAFETNETT CAN BE ADAPTED TO FIT ANY SIZE OPENING

SASL 1-10	SAFETNETT	SafeTNett up to 10 square metres (Cat F)	\$175.00 per m <sup>2</sup> Fittings not included
SASL 10-40	SAFETNETT	SafeTNett from 10 to 40 square metres (Cat F)	\$201.25 per m <sup>2</sup> Fittings not included
SASL 40 UP	SAFETNETT	SafeTNett from 40 square metres and larger (Cat F)	\$227.50 per m <sup>2</sup> Fittings not included

CODE	ITEM	DESCRIPTION	PRICE (EXCL. GST) AU\$
WMFSB -100/B	WALL MOUNT FIXED SWIVEL BRACKET	This bracket is used when the SafeTNett is wall mounted and a permanent fixing is required.  (Cat F)	\$9.98 each
			
WMQSB -100/A	WALL MOUNT FIXED SWIVEL BRACKET	This bracket is used when the SafeTNett is wall mounted and a quick release fixing is required.  (Cat F)	\$9.98 each
			
MSB-100	MALE SWIVEL BRACKET	This bracket is used to connect the wall mount brackets above to the SafeTNett netting.  (Cat F)	\$12.20 each
			
FMQRB -101/A	FLAT MOUNTED QUICK RELEASE BRACKET	This bracket is used when the SafeTNett is mounted on a flat surface and a quick release fixing is required.  (Cat F)	\$12.55 each
			
MFMQRB -101/B	MALE FLAT MOUNTED QUICK RELEASE BRACKET	This bracket is used to connect the flat mount brackets above to the SafeTNett netting.  (Cat F)	\$13.87 each
			
FMSB-102	FLAT MOUNT MAIN STAY BRACKET	This bracket is used when the SafeTNett is mounted to a flat surface and a permanent fixing is required.  (Cat F)	\$14.45 each
			

# SAFE-T-NETT/ROPE SAFETY NETS



CODE	ITEM	DESCRIPTION	PRICE (EXCL. GST) AU\$
JR-104	JOINER	This joiner is used when the SafeTNett requires lengthening.  (Cat F)	\$15.10 each
			
RAP FEM	RAP-AROUND FEMALE	This bracket is used to connect to beams and other significant structures. Suitable for use on roofs, bridges etc.  (Cat F)	\$25.00 each
			
SUPBAR	PLANK SUPPORT BAR	Permits access over SafeTNett, with stair wells and voids. 800mm Support Bar extends to 1400mm 1400mm Support Bar extends to 2400mm  (Cat F)	\$180.00 - 800mm \$307.50 - 1400mm
			
SCAF	SCAFFOLD END BRACKET	End bracket suitable for fixing to scaffold.  (Cat F)	\$29.38 each
			



## ROPE SAFETY NETS

SA60070	UNDERSLUNG SAFETY NET	2m x 10m - 5mm diam high tensile - Green (Cat F)	\$1375.00
SA60080	UNDERSLUNG SAFETY NET	5m x 10m - 5mm diam high tensile - Green (Cat F)	\$2262.50
SA60090	UNDERSLUNG SAFETY NET	5m x 5m - 5mm diam high tensile - Green (Cat F)	\$1577.50
SA60100	UNDERSLUNG SAFETY NET	Per m <sup>2</sup> - 5mm diam high tensile - Green (Cat F)	\$71.25

CODE	ITEM	DESCRIPTION	PRICE (EXCL. GST) AUD\$
RT01	SURFACE MOUNT RIVETING TOOL	Battery Powered Blind Riveting Tool Includes 2 batteries  (Cat E)	\$2196.00
			
RT01 HIRE		Hire of above mentioned Battery Powered Blind Riveting Tool – Price does not include freight –	\$100 PER DAY NETT + FREIGHT
RT02	SURFACE MOUNT RIVETING TOOL	Mechanical Blind Riveting Tool  (Cat E)	\$447.00
			
RT02 HIRE		Hire of above mentioned Mechanical Blind Riveting Tool – Price does not include freight –	\$30 PER DAY NETT + FREIGHT
SERT01	ELECTRO HYDRAULIC CRIMPING TOOL	Includes - 1 electric machine & adapted dies for their extremities 1 charger and two batteries	\$3900.00 NETT * NO DISCOUNTS APPLY
			
SERT HIRE		Hire of above mentioned Hydraulic Crimping Tool – Price does not include freight –	\$100 PER DAY NETT + FREIGHT
PT01	HIRE OF PULL TESTER	Hire of Pull Tester – Price does not include freight –	\$100 PER DAY NETT + FREIGHT
			



CODE	ITEM	DESCRIPTION	PRICE (EXCL. GST) AU\$
------	------	-------------	------------------------

HIT MIX

HILTI HIT  
MIXER NOSSLES

\$5.50 NETT



HIT150

HILTI HIT-HY150  
INJECTION TECHNIQUE

For concrete - 330ml  
Includes: Foil Pack and 2 Mixing Nossles

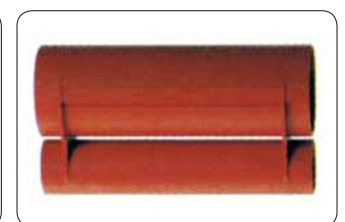
\$77.00 NETT



HIT DE

HILTI HIT  
DISPENSER KIT

\$350.00 NETT



HIT DE HIRE

Hire of HIT Dispenser shown above  
– Price does not include freight –

\$20.00  
PER DAY NETT  
\* NO DISCOUNTS APPLY

SLRIVETS

SURFACE MOUNT  
SPECIALISED RIVETS

Pack of 100 (Cat A)

\$195.00





**NATIONAL DISTRIBUTION  
AND INSTALLATION**



**PHONE: 1300 24 24 84 • FAX: 1800 24 24 84**  
**EMAIL: [sales@safetyanchors.net.au](mailto:sales@safetyanchors.net.au)**