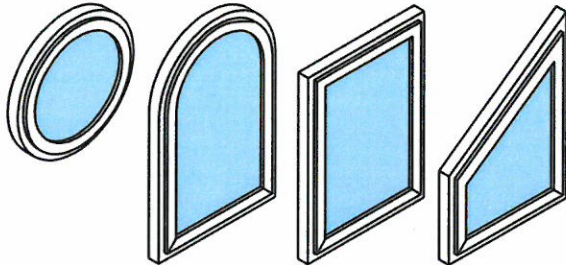
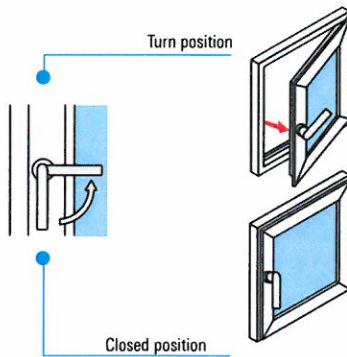


2.0 Operation: Windows and window doors

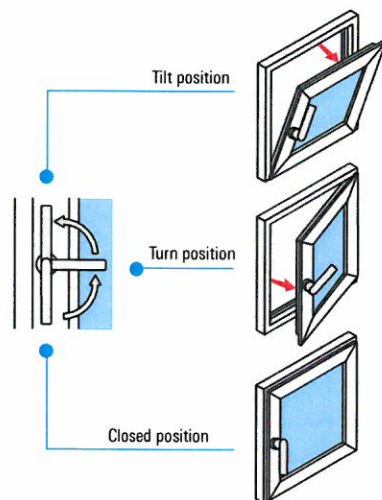


The following operating instructions apply to all types of unit and opening types.

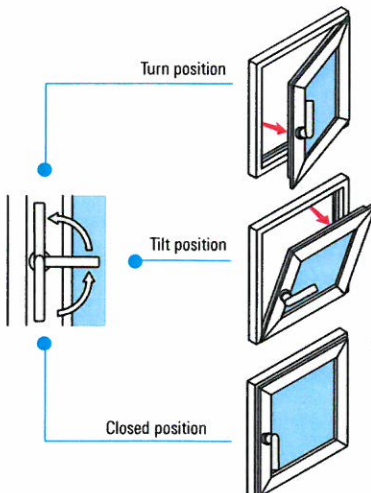
2.1 Side-hung unit



2.2 Turn/tilt unit



2.3 Tilt-before-turn unit



2.4 Schüco TipTronic turn/tilt unit



Notice:

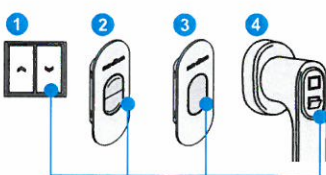
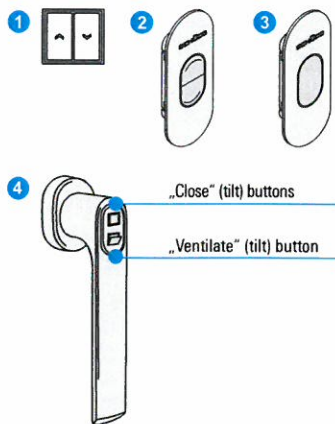
Can only be operated when the „power supply“ is switched on.

Methods of operation:

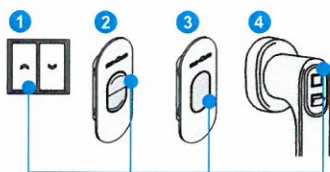
- 1 Button
- 2 Rocker switch
- 3 Operating switch
- 4 e-handle

Blue LED

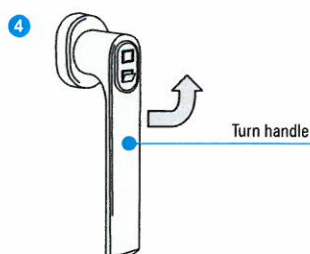
- 1. Lights up during normal operation
- 2. Flashes with undefined operating conditions.



„Ventilate“ (tilt) button



„Close“ (tilt) buttons



To open in the tilt position

- ▶ Press „Ventilate“ (tilt) button. Vent moves into tilt position (movement can be stopped by pressing another button).

To close from the tilt position

- ▶ Press „Close“ (tilt) button. Vent moves into closed position.

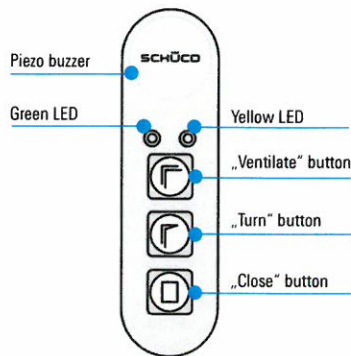
To open in the turn position

- ▶ Turn handle through 90° in turn position. The vent unlocks and can be opened manually.

To close from the turn position

- ▶ Close vent manually and turn handle through 90° in closed position. Vent locks automatically.

2.5 Turn/tilt unit with e-drive



Control panel

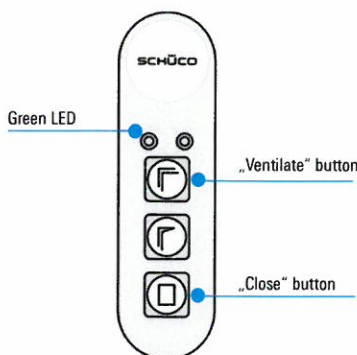
Green LED (left)

1. Lights up when the vent is locked
2. Flashes during operation

Yellow LED (right)

1. Lights up during stoppages
2. Flashes after switching on

In the event of power failure, the yellow LED flashes. Press the „Ventilate“ and „Close“ buttons simultaneously until the green LED lights up. The unit is now ready for use.



To open in the tilt position

a) Fully open

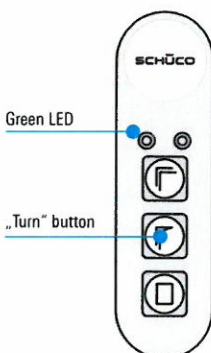
- ▶ Press „Ventilate“ button.
- ▶ Vent moves into tilt position (movement can be stopped by pressing another button).

b) Partially open

- ▶ Press and hold down the „Ventilate“ button until the required position is reached.

To close from the tilt position

- ▶ Press and hold down „Close“ button. Vent moves into closed position, until green LED lights up continuously.



To open in the turn position

- ▶ Press „Turn“ button.
- ▶ The vent is unlocked. When the green LED goes out, the vent can be opened manually.



Notice:

If the vent is not now opened, it relocks after a few seconds.

To close from the turn position

- ▶ Close and hold vent manually. Vent is locked automatically, until green LED lights up continuously.