

EXCEL

LOCKERS

**LOCK
IT
IN!**

Integrated Production Process



Excelling in locker design

Most businesses start with an idea, a belief in their product and desire to succeed. Excel Lockers was born of just such an idea and of experience. Many years of design and production excellence transferred recently to the fastest growing area of Australia, South East Queensland.

Brisbane based yet supplying nationwide, innovative yet innovation based on a peerless locker product. Designed and built with an attention to detail most businesses can only aspire to.

Excel's range of lockers and seating are manufactured using the latest in computer controlled machinery and installed by staff who believe in the importance of how the product looks, functions and works for you.

Excel's designs are favoured for their versatility, durability and outstanding quality. This makes Excel Lockers ideal in any commercial application. Among our broad customer base are hospitals, fitness centres, offices, golf and sporting clubs, factories, universities and even emergency service departments.

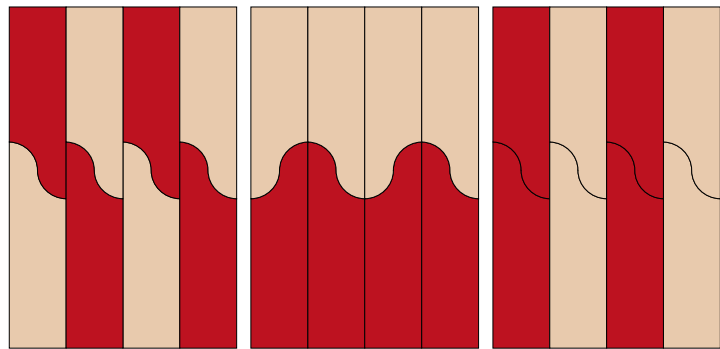
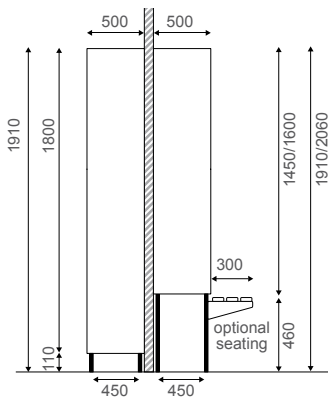
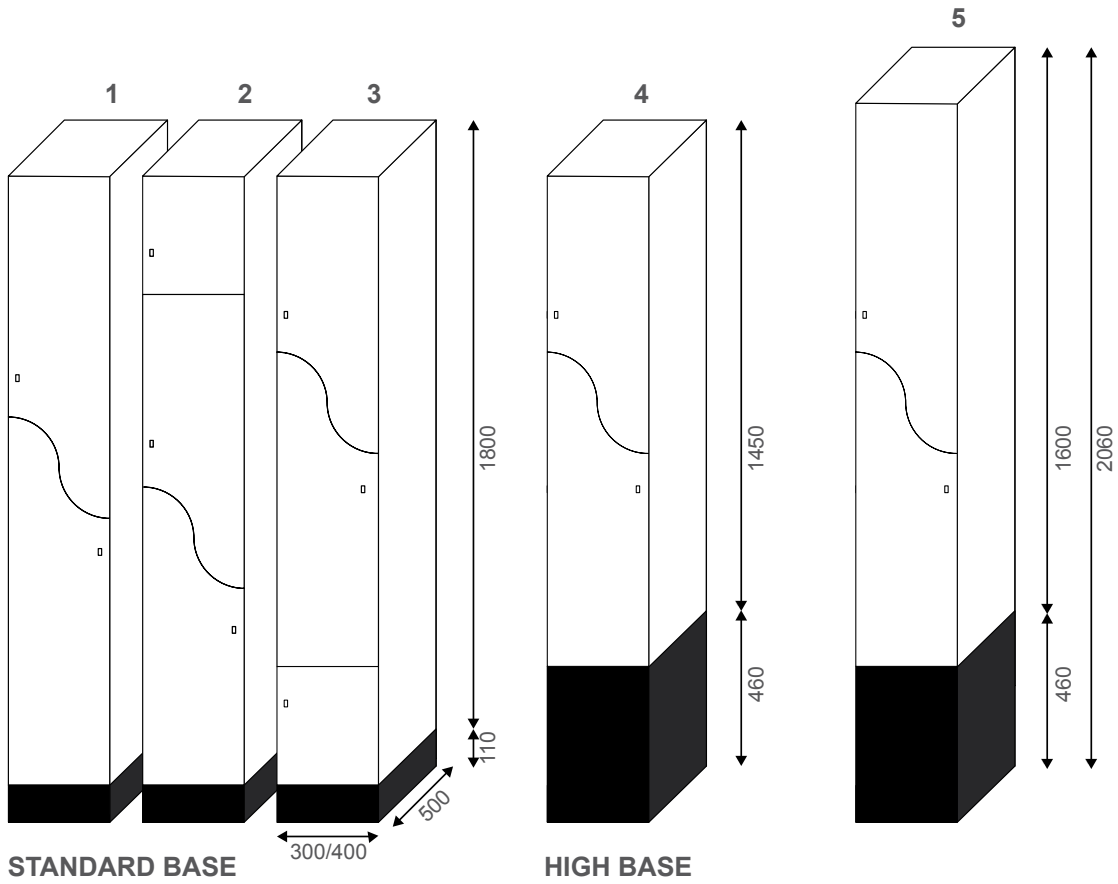




Contents

| | | | |
|-------------------------|----|---------------------------|----|
| Evolve range _____ | 4 | Special lockers _____ | 13 |
| Optimus range _____ | 6 | Lock options _____ | 14 |
| Traditional range _____ | 8 | Accessories _____ | 15 |
| Steel range _____ | 10 | Bench seating range _____ | 16 |
| Mini - lockers _____ | 12 | FAQ's & Gallery _____ | 18 |

EVOLVE RANGE



| | CODE | DESCRIPTION | DOOR HEIGHT | |
|---|---------|--|-------------|--------|
| | | | 300mm | 400mm |
| 1 | EVO | 2 Door - Clothes hanging & bag storage | 1050mm | 1100mm |
| 2 | EVO-TOP | 3 Door - 2 hanging lockers with bag locker at top | 875mm | 925mm |
| 3 | EVO-BOT | 3 Door - 2 hanging lockers with bag locker at bottom | 875mm | 925mm |
| 4 | EVO-HB | 2 Door - Hanging locker for use on high base - optional seat | 875mm | 925mm |
| 5 | EVO-HBT | 2 Door - Tall hanging locker - high base - optional seat | 950mm | 1000mm |



EVOLVE Range – in one word Innovative

The Evolve locker was designed to add a new dimension to the often uniform locker room appearance. With its unique reverse curve shape it softens the square look inherent in change room fitouts.

The Evolve range is dynamic in design with gains in functionality. The reverse curve shape allows for an overlapping of the doors, increasing hanging length by 150mm for 300mm wide units and 200mm for 400mm wide units whilst maintaining good storage capacity for shoes, bags and personal items.

The Evolve locker can be fitted with a variety of lock options, with our premium master key system being standard. With an extensive choice of colour finishes to select from we are confident of finding the right solution to your locker needs.

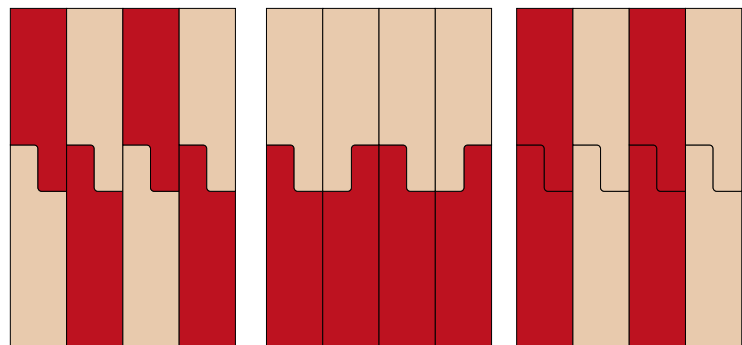
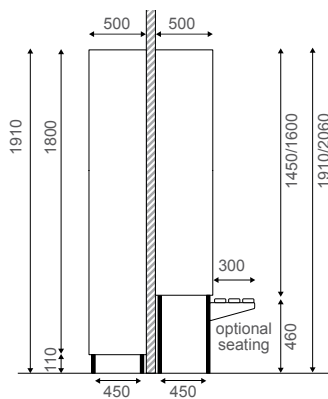
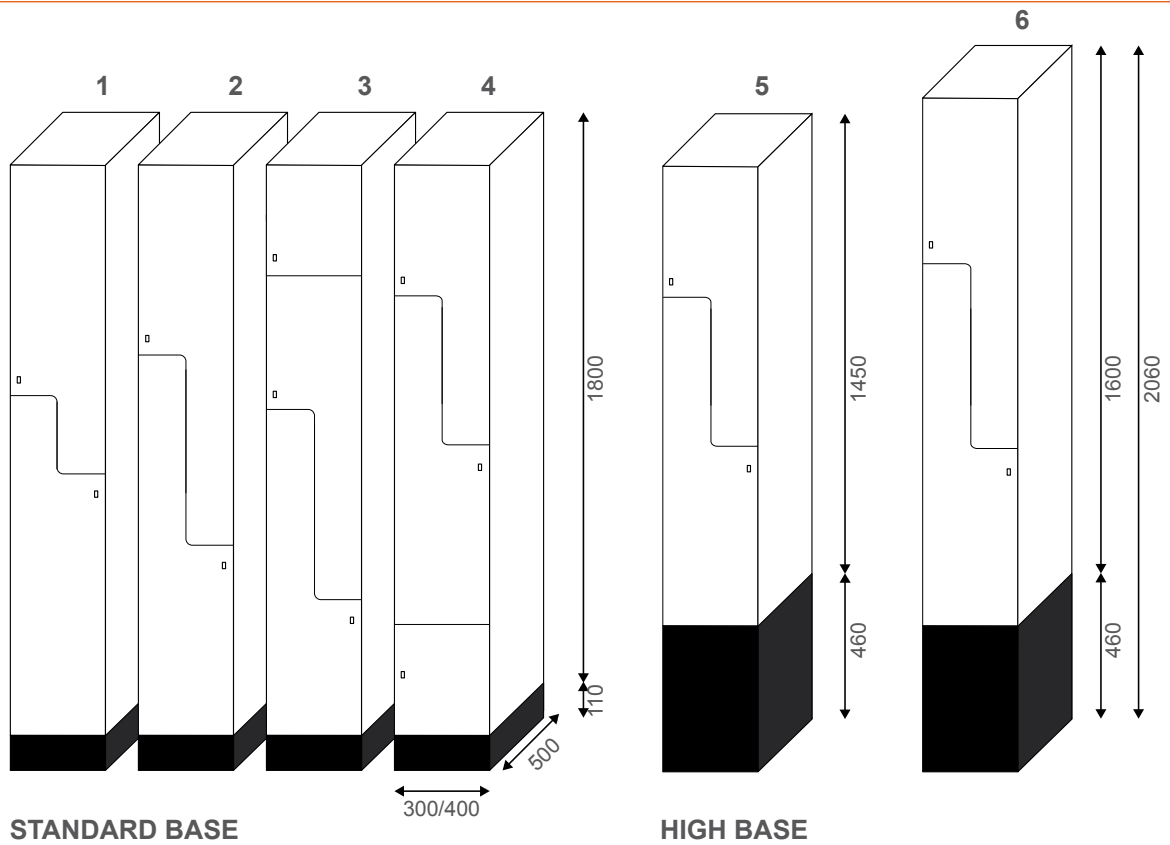


EVOLVE STANDARD SPECIFICATIONS

- Available in 2 standard widths 300mm & 400mm
- Extensive choice of door colour finishes from the Laminex range
- Hanging rail fitted with anti-theft coat hanger – units vented through back
- Premium master keyed lock system standard and numbered ready for use
- 110mm plinth for 1800mm units, 460mm high base for 1450mm and 1600mm units
- Locker carcass is white moisture resistant (MR) board with black edging
- Separate base – waterproof ply, black vinyl finish

EVOLVE SERIES
REGISTERED DESIGN
312195

OPTIMUS RANGE



| | CODE | DESCRIPTION | DOOR HEIGHT |
|---|---------|--|-------------|
| 1 | OPT-SH | 2 Door - Short neck - clothes hanging & bag storage | 1050mm |
| 2 | OPT-LG | 2 Door - Long neck - clothes hanging & bag storage | 1200mm |
| 3 | OPT-TOP | 3 Door - 2 hanging lockers with bag locker at top | 980mm |
| 4 | OPT-BOT | 3 Door - 2 hanging lockers with bag locker at bottom | 980mm |
| 5 | OPT-HB | 2 Door - Hanging locker for use on high base - optional seat | 960mm |
| 6 | OPT-HBT | 2 Door - Tall hanging locker - high base - optional seat | 1000mm |



*shown with optional bench seating

OPTIMUS Range - space saving design

The Optimus locker can solve your locker room space problems – effectively halving the room area needed for lockers, compared to full length single door units.

The Optimus lockers maintains great hanging length and storage capacity whilst adding to the visual appearance of your locker room. Whether it's a back of house hotel area, hospital theatre change room or fitness centre the Optimus range solves your staff or patrons' locker requirements.

The Optimus locker can be fitted with a variety of lock options, premium master key, provision for padlock or the latest in digital keyless locking. With an extensive choice of colour finishes and locker configurations we're confident of matching the right Optimus locker to your needs.

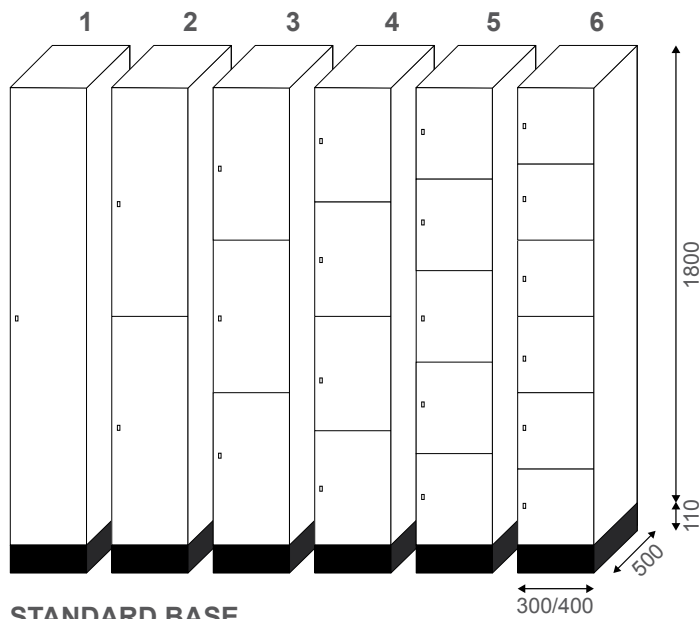


OPTIMUS STANDARD SPECIFICATIONS

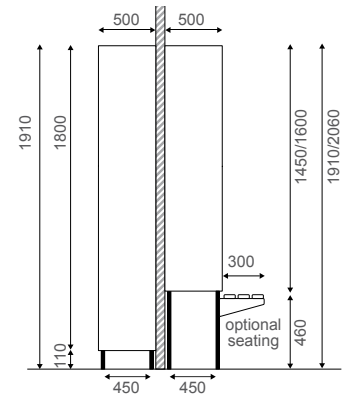
- 2 standard widths 300mm & 400mm
- Extensive choice of door colour finishes from the Laminex range
- Hanging rail fitted with anti-theft coat hanger – units vented through back
- Premium master keyed lock system standard and numbered ready for use
- 110mm plinth for 1800mm units, 460mm high base for 1450mm and 1600mm units
- Locker carcass is white MR board with black edging
- Separate base – waterproof ply, black vinyl finish



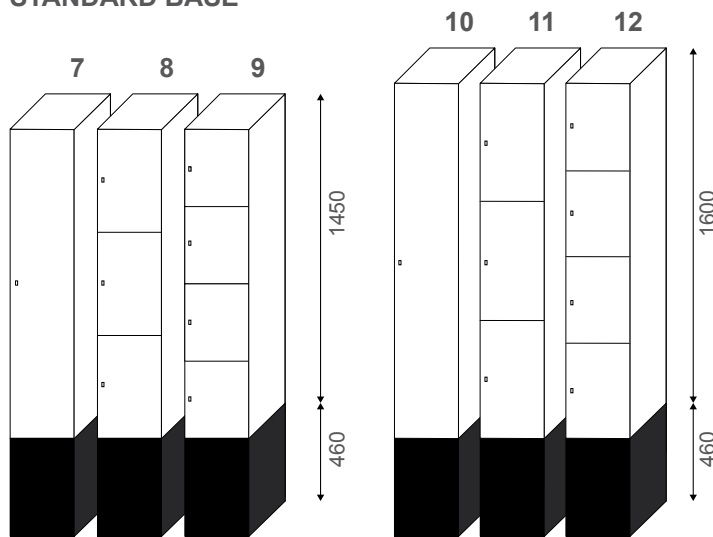
TRADITIONAL RANGE



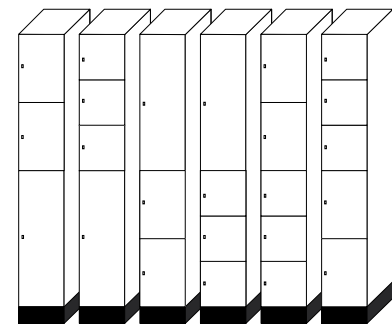
STANDARD BASE



PROFILE



HIGH BASE



OPTIONAL CONFIGURATIONS

| | CODE | DESCRIPTION | DOOR HEIGHT |
|----|----------|---|-------------|
| 1 | TRD-1 | 1 Door - long hanging with bag storage - shelf at top or bottom | 1800mm |
| 2 | TRD-2 | 2 Door - 2 hanging lockers with bag storage | 900mm |
| 3 | TRD-3 | 3 Door - large bag storage | 600mm |
| 4 | TRD-4 | 4 Door - medium bag storage | 450mm |
| 5 | TRD-5 | 5 Door - small bag storage | 360mm |
| 6 | TRD-6 | 6 Door - small bag/handbag storage | 300mm |
| 7 | TRD-HB1 | 1 Door - long hanging for use on high base - optional seat | 1450mm |
| 8 | TRD-HB3 | 3 Door - large/medium bag - high base - optional seat | 480mm |
| 9 | TRD-HB4 | 4 Door - medium bag - high base - optional seat | 360mm |
| 10 | TRD-HBT1 | 1 Door - tall hanging locker - high base - optional seat | 1600mm |
| 11 | TRD-HBT3 | 3 Door - tall locker - large bag - high base - optional seat | 530mm |
| 12 | TRD-HBT4 | 4 Door - tall locker - medium bag - high base - optional seat | 400mm |

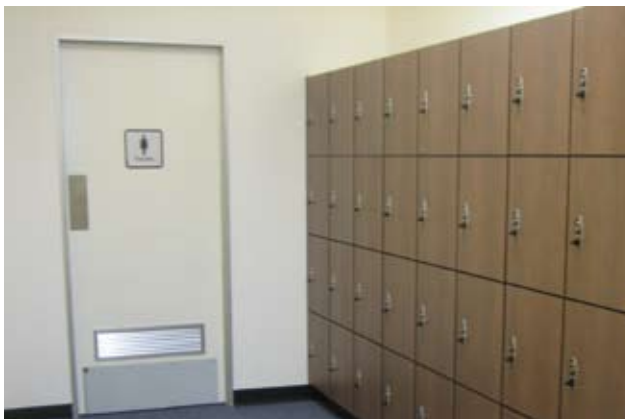


TRADITIONAL Range - New twist to an old style

Most square door locker ranges are limited in their locker configurations, often having only 1, 2 and 4 door units to select from. Excel has an expanded range with its Traditional lockers being available in 1, 2, 3, 4, 5 and 6 door units and two widths – 300mm and 400mm.

Excel's Traditional locker range is made from the same high quality materials as its Evolve and Optimus ranges. Moisture resistant (MR) board covered in low pressure laminate, white for the carcase and choice of door colour from the industry leading Laminex range.

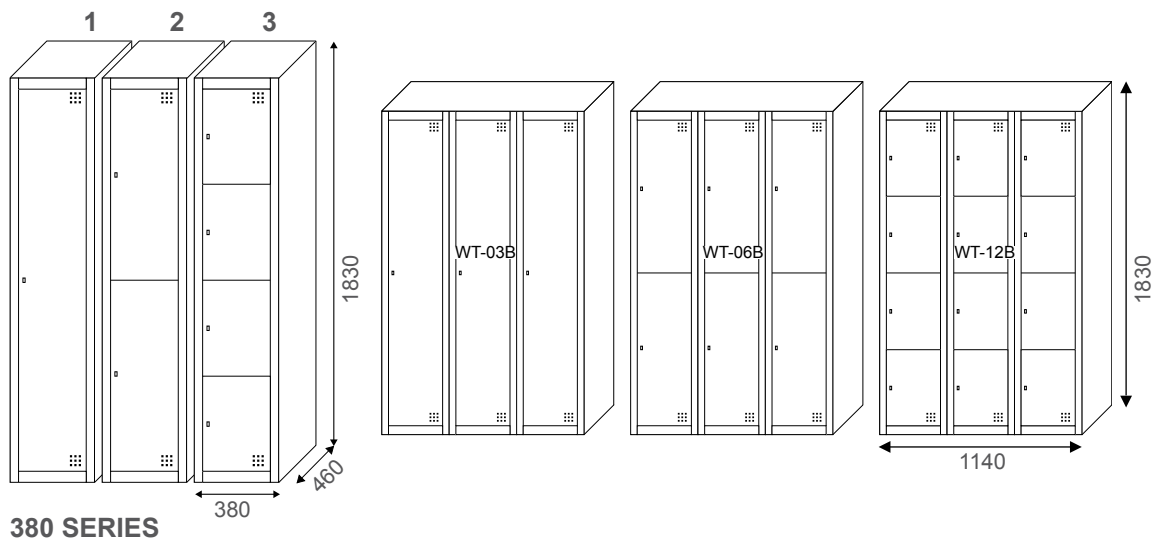
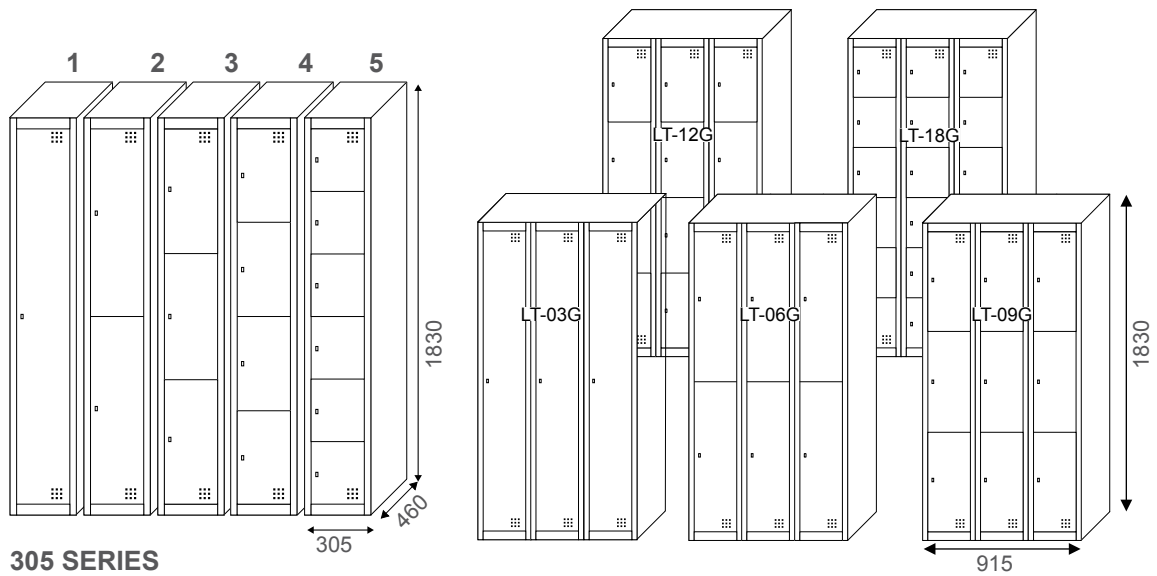
Standard units can also be placed on high bases which allows for seating to be placed directly in front. This seating is fixed to the front of the base with the use of cantilevered bracketing which keeps the floor area free of obstructions.



TRADITIONAL STANDARD SPECIFICATIONS

- Extensive choice of door colour finishes from the Laminex range
- Hanging rail fitted with anti-theft coat hanger – units vented through back
- Premium master keyed lock system standard and numbered ready for use
- 110mm plinth for 1800mm units, 460mm high base for 1450mm and 1600mm units
- Locker carcass is white MR board with black edging
- Units can be made mix and match – for example 2 doors top half and 1 bottom half
- Separate base – waterproof ply, black vinyl finish

STEEL LOCKERS



305 SERIES

| | CODE | DESCRIPTION |
|---|--------|----------------------------|
| 1 | LS-01G | 1 Door - with hanging rail |
| 2 | LS-02G | 2 Door - with hanging rail |
| 3 | LS-03G | 3 Door - large bag locker |
| 4 | LS-04G | 4 Door - medium bag locker |
| 5 | LS-06G | 6 Door - small bag locker |

CLASSIC GREY

380 SERIES

| | CODE | DESCRIPTION |
|---|--------|----------------------------|
| 1 | WS-01B | 1 Door - with hanging rail |
| 2 | WS-02B | 2 Door - with hanging rail |
| 3 | WS-04B | 4 Door - wide bag locker |

CLASSIC BEIGE



STEEL Range – Functional & Economic

Excel's Steel range of lockers offer secure and well ventilated storage for personal belongings in industries, sporting clubs and commercial enterprises.

Manufactured in 2 widths with a variety of door configurations, coupled with keyed locks or provision for padlock locking, you will find a locker to meet your storage requirements.

FEATURES

- Durable metal construction
- Riveted assembly
- Supplied made up or flat-packed
- Welded door stiffeners
- Chrome coat rail fitted to 1 & 2 tier
- Tough and durable powdercoat finish
- Ventilation slots in all doors

SIZING

- Two widths available - 305mm and 380mm
- Height 1830mm x depth 460mm
- Wide range of configurations 1 - 6 doors
- Supplied as single units or in banks of 3

OPTIONAL NUMBERING

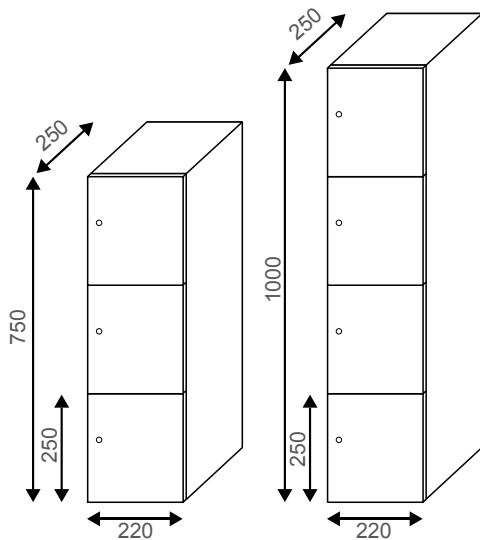


LOCKING OPTIONS

- Standard keyed Camlock or
- Latchlock for padlocking



MINI LOCKERS



ML-03

ML-04

MINILOC Range – Compact and Secure

Excel's Miniloc range is ideal for short term storage of small items. Often located near reception areas for securing articles such as mobile phones, keys, wallets and purses.

Miniloc is supplied from our standard range as 3 or 4 door units or they can be custom made to suit your chosen location. A choice of various lock options allows you to either control the use of the lockers or have them set for self service.

MINILOC SPECIFICATIONS

- Extensive choice of door colour finishes from the Laminex range
- Premium master keyed lock system standard and numbered ready for use
- Locker carcass is white MR board with black edging
- Units are supplied with fixings for wall mounting and matching end panels to complement units

SPECIAL LOCKERS

excellockers.com.au
1800 019 266



Sports Locker

SL-01

- Single door locker
- 1830mm(H) x 380mm(W) x 460mm(D)
- Single or 3 point locking
- Steel construction – supplied as flat pack or assembled
- Powdercoat finish with choice of colour
- Lead times and minimum order quantities apply



SL-01



Military, Correctional & Emergency Services

ML-10

- Single door locker
- 1800mm(H) x 500mm(W) x 500mm(D)
- 3 Point locking
- Steel Construction – flat pack or assembled
- Limited colour range
- Lead times and minimum quantities apply

ML-20

- Double door locker
- 1800mm(H) x 750mm(W) x 600mm(D)
- 3 Point locking
- Steel construction – flat pack or assembled
- Limited colour range
- Lead times and minimum quantities apply



ML-10



ML-20

LOCK OPTIONS

FOR THE EVOLVE, OPTIMUS AND TRADITIONAL RANGES



PREMIUM MASTER KEYED LOCKING

- High security dimple cut keys
- Double throw lock bodies
- Removable lock core – ease of key replacement
- Master key and lock removal key available
- Numbered door label and matching key tag



STANDARD LATCHLOCK – FOR USE WITH PADLOCKS

- Accepts standard padlocks from 20mm – 50mm
- Lock cam is secured by large striker plate
- Numbered scratch plate fitted below lock



HEAVY DUTY PADLOCK FITTING

- Enhances security for padlock locking
- Integrated handle on door fitting
- Durable black powdercoat finish
- Numbered door label applied to door fitting



COIN LOCKS

- Key is secured in lock – released by coin deposit
- Available for \$1 or \$2 operation
- Coin tray fitted for coin return operation – free use
- Coin collection box fitted for coin retain – user pays
- Numbered door label with matching key tag
- Master key system



DIGITAL LOCKING – KEYLESS LOCKER OPERATION

- User entered 4 digit electronic code operation
- Ideal for multiple users e.g. fitness centres, pools etc
- Battery powered with low power usage
- Code tampering activates security lock out features
- Electronic master key override for management
- Numbered door label – operating instructions supplied

FOR THE EVOLVE, OPTIMUS AND TRADITIONAL RANGES



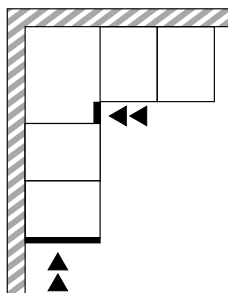
INTEGRATED IRONING UNIT

- Available in the same colour finish as your lockers
- Comes complete with fold down ironing board, cover and iron.
- 500mm wide – height to match lockers
- Electrical wiring etc not included



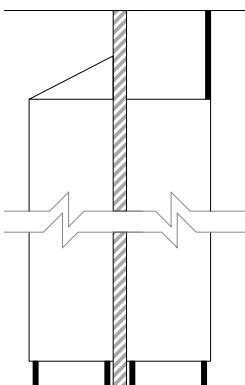
OPEN HANGING UNIT

- Colour matched to lockers
- Width to suit room sizing and hanging requirements
- Complete with fixed rail and anti-theft coat hangers



MATCHING END PANELS AND FILLERS

- Required to complete the locker fitout
- Used where the locker sides are seen, i.e. first and last lockers
- Fillers are used at corners and wall junctions
- Colour matched to lockers



SLOPING TOPS & BULKHEAD PANELS

- Matching finish to lockers
- Designed to prevent storage on top of lockers
- Sloping tops are angled at approx 30 degrees
- Bulkhead panels are fitted to a height of 2700mm maximum

BENCH SEATING RANGE

BENCH SEATING Range – Completing the room

Excel's range of Bench Seating is manufactured from powdercoated steel with Tasmanian Oak hardwood slats – tough and durable. With a choice of single sided, doubled sided or fixed seating for use directly in front of the lockers, we have a seat to suit your needs.

Fixed Seating

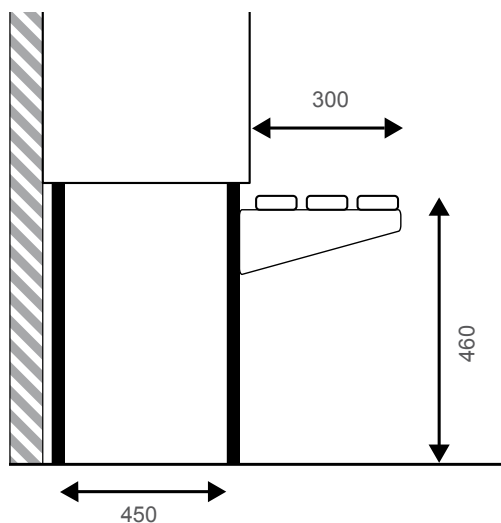
Designed for use with our high base. Specially designed metal brackets are bolted to the front of the high bases. This keeps the floor area in front of the lockers free from seat legs, allowing for easy cleaning around the lockers.

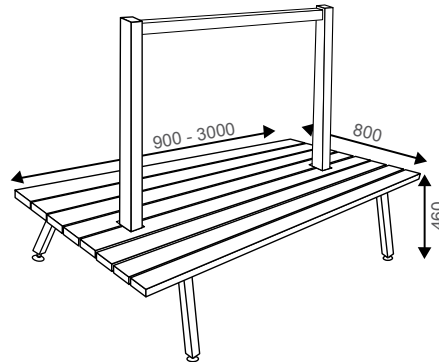
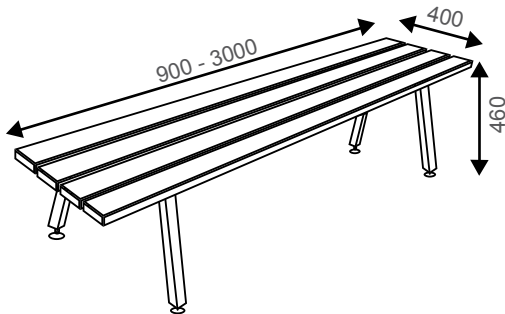
SPECIFICATIONS

- Black powdercoat finish to brackets
- Timber clear finished - optional staining
- Seat width 300mm

FIXED SEATING CODES

Fixed Seat specified lengths = FS - length, e.g. FS-2400
Fixed Seat length to suit lockers = FS - locker run, e.g. FS-LR





Freestanding Range

SINGLE SEATING

Single width seats are made 400mm wide in any length from 900mm to 3000mm

SPECIFICATIONS

- Metalwork - Black (B), White (W) or Grey (G)
- Timber - Tasmanian Oak clear finished

SINGLE SEAT CODES

Single seat = SS - length - frame colour. e.g. SS-1800-B



DOUBLE SIDED SEATING

Double width seats are made 800mm wide in any length from 900mm to 3000mm - available with or without optional centre hanging frame with coat hooks.

SPECIFICATIONS

- Metalwork - Black (B), White (W) or Grey (G)
- Timber - Tasmanian Oak clear finished

DOUBLE SEAT CODES

Seat without hanging frame = DS - length - frame colour. e.g. DS-1800-B
Seat with hanging frame = DSH - length - frame colour. e.g. DSH-1800-B

OPTIONS

- Metalwork in selected powdercoat colour
- Timber stained to match sample or lockers



FAQ'S

Q. Can you select from other colour board ranges?

A. YES, WE CAN FINISH THE LOCKER DOORS IN ANY AVAILABLE BRAND OF COLOUR BOARD.

Q. If we need a special locker size can you custom make it?

A. YES, ANY OF OUR TIMBER BASED LOCKERS CAN BE CUSTOM MADE TO YOUR REQUIREMENTS.

Q. What is the lead time on supply?

A. SHORT LEAD TIME ON THE STEEL RANGE AND 4-5 WEEKS FOR THE TIMBER RANGE AND BENCH SEATING AS THEY ARE MADE TO ORDER.

Q. Are you able to design our locker room layout for us?

A. YES, WE CAN PROVIDE ADVICE ON LOCKERS BEST SUITED TO YOUR NEEDS AND PLAN AN EFFICIENT LOCKER ROOM LAYOUT FOR YOU OBLIGATION FREE.

Q. Can we use our own logo on the numbered labels?

A. YES, WE CAN USE YOUR COMPANY LOGO ON THE LABEL.

Q. Can we have different colour edging on the doors?

A. YES, WHILE BLACK IS STANDARD WE CAN USE A MATCHING EDGING IF AVAILABLE OR YOU CAN SPECIFY ANY AVAILABLE COLOUR – EXTRA COST.

Q. Is the bench seating also available custom made?

A. YES, IF YOU HAVE A SPECIAL SIZE OR STYLE WE SHOULD BE ABLE TO CUSTOM MAKE IT FOR YOU. DON'T SPECIFY SEATS TOO LONG AS THEY OFTEN WON'T FIT THROUGH DOORS AND PASSAGEWAYS.

Q. What is the warranty on your products?

A. ALL OUR PRODUCTS ARE COVERED BY A 3 YEAR WARRANTY.

Q. Can the locker bases be installed earlier so we can tile the front of the base in place of the black vinyl?

A. YES, WE CAN INSTALL THE BASE EARLY SO YOUR TILER CAN CARRY OUT THE WORK.

Q. Are Excel lockers available Australia wide?

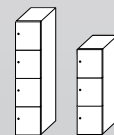
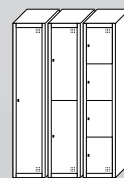
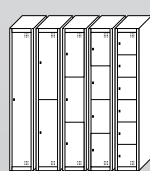
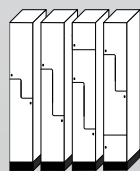
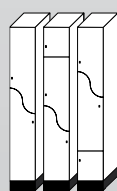
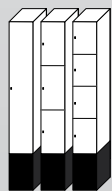
A. YES, WE CAN SUPPLY AND INSTALL EXCEL LOCKERS ANYWHERE IN AUSTRALIA.

Disclaimer: Due to constant product improvement Excel Lockers may change product specifications without notice.

GALLERY

excellockers.com.au
1800 019 266





Phone 1800 019 266
 Fax 07 3715 6711
www.excellockers.com.au
enquiries@excellockers.com.au

EXCEL
LOCKERS