

Aquablend SQX Thermostatic Shower Mixer

ATM608

Integrating the latest in Aquablend™ Thermostatic technology to provide safe delivery of heater water to individual basin, sink and shower applications. The Aquablend SQX™ range is designed for higher risk environments such as hospitals or aged care facilities for anti-scald protection and to reduce the risk of legionella. Locating the TMV at the outlet improves a facility's 'duty of care' towards its users by reducing the risk of microbial or bacterial growth within the plumbing supply lines. The Aquablend SQX™ outlets feature self-draining spouts for further safety.

WATER AND ENERGY SAVINGS

The innovative SQX™ sequential operation delivers energy efficient water flow through a single radial movement. Flow always begins with cold water, with the temperature increasing through a 120° arc. Compared to most single lever mixers this design reduces the wastage of hot and cold mixed water when only cold is required with the added benefit of easier control for users. Refer to Enware's shower brochure for a range of water efficient shower heads.

EASY IN-SITU MAINTENANCE

The Aquablend SQX range of mixers come complete with isolation valves, check valves and mesh strainers for both hot and cold water supply, all located above the sink for ease of service and maintenance.

FEATURES

- Technically advanced Aquablend™ Thermostatic Cartridge provides personal temperature control at the 'Point of Use'
- Compliant to AS4032:1
- Sequential operation for energy efficient flow and temperature control
- Cool to touch, non-conductive technology in the mixer body avoids the risk of skin burns
- Colour indication on top of handle for easy identification
- Easy to clean design
- Serviceable in-situ



Product Codes

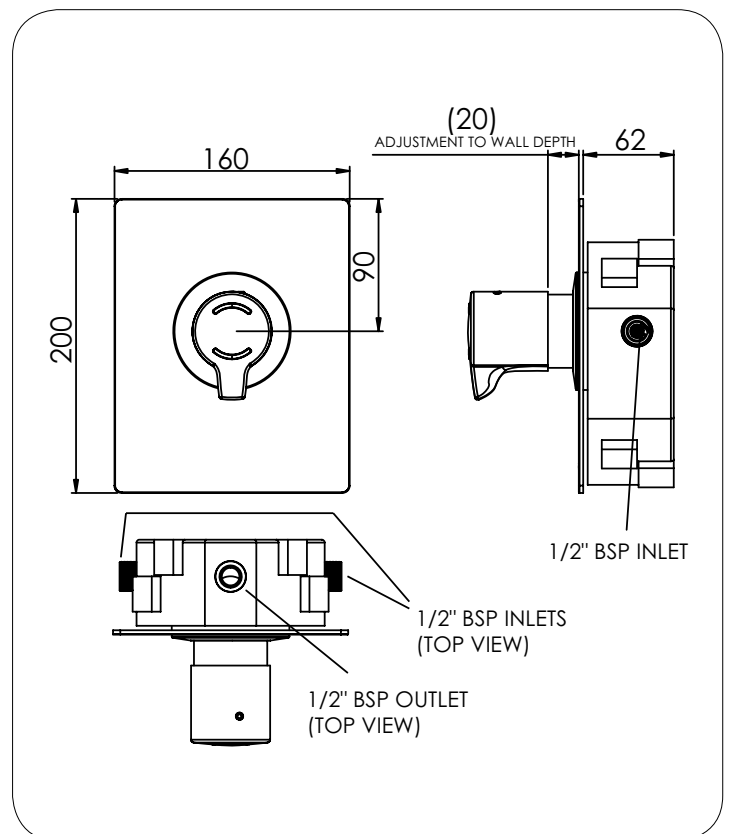
- ATM608** Complete unit including recessed wall box
- ATM608B*** Recessed in-wall body & box components
- ATM608P*** External fascia plate & handle components

* order separately for larger projects

Technical Information

Hot Temperature Supply Range	55°C - 85°C
Cold Temperature Supply Range	5°C - 25°C
Adjustable Temperature	35°C - 46°C
Operating Working Pressure	20 - 500* kPa
Maximum Outlet Pressure in accordance with AS/NZS3500 [^]	500 kPa
Permitted Supply Pressure Variation	10:1

[^] Enware tapware must be installed in accordance with the provisions of AS/NZS3500 and any relevant local regulations. Installations not complying with AS/NZS3500 may void the product and performance warranty provisions.



Version:Apr13

Call 1300 369 273
www.enware.com

Enware Australia Pty Limited
9 Endeavour Rd Caringbah NSW 2229 Australia
Ph: 02 8536 4000 Fax: 02 8556 4055

