

P E D E S T A L

# Buzon



THE ORIGINAL AND AWARD WINNING SCREWJACK PEDESTAL



Create Raised Timber & Paved Floors On Balconies,  
Podiums & Roof Tops

## PASCO

[www.buzon.com.au](http://www.buzon.com.au)  
[www.buzon-world.com](http://www.buzon-world.com)



# Buzon Height Adjustable Pedestal

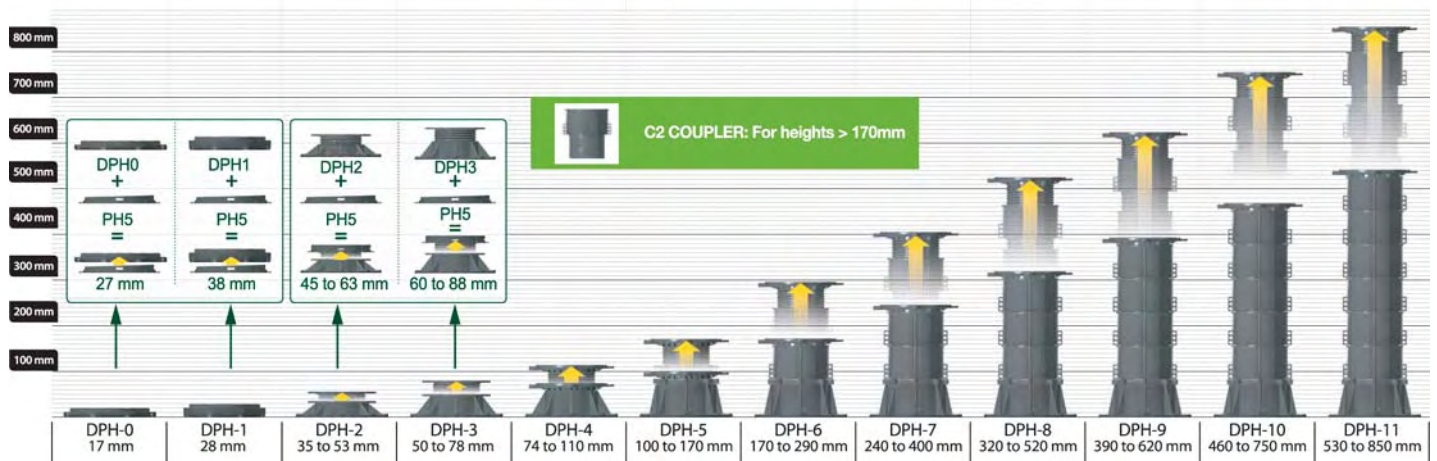


Pasco Construction Solutions has introduced a new product that will appeal to architects and builders when it comes to the design and construction of raised floors. The award-winning Buzon Pedestal can be used with pavers, timber decking and steel grating to create raised floors on balconies, terraces, green roofs, temporary floors and water features. Capable of accommodating heights from 17mm - 850mm, it can conceal services & offer easy access for maintenance of waterproof membranes.

The Buzon pedestal incorporates a patented slope-correcting device, which compensates for a substrate fall of 0 - 5%, to provide a perfectly level floor finish. The interchangeable spacer tabs allow for 2mm, 4.5mm, 6mm, 8mm and 10mm gaps between pavers, providing positive drainage and making uneven paving lines a thing of the past!

Designed, manufactured and tested in Belgium, the Buzon pedestal is capable of supporting 1000kg. Used on projects all over the world its applications are endless.

## DPH Series Pedestal Sizing Chart - Adjustable from 17 mm to 850 mm



<h3>Spacer Tabs</h3> <p>The head can be fitted with spacer tabs, to give the desired opening between pavers for water drainage and ventilation.</p>	<h3>Joist/Batten Holder</h3> <p>Support for all types of joists or battens:</p> <ul style="list-style-type: none"> <li>• Timber batten or joists</li> <li>• Composite Timber battens or joists</li> <li>• Aluminium/Steel sections</li> </ul> <p>Width of the holder is 65mm with holes on the sides for a mechanical fixing.</p>	<h3>Shims</h3> <p>Made of 1 and 2 mm Reinforced EPDM (Shore 50), for use with marble, granite and stone pavers to act as:</p> <ul style="list-style-type: none"> <li>• Anti slip</li> <li>• Shock Absorber</li> </ul> <p>Also compensates for the difference in thickness of the pavers used during the installation.</p>	<h3>PH5 Slope Corrector</h3> <p>Manufactured from recycled polypropylene, the PH5 slope corrector can compensate for a horizontal slope, from 0 to 5% (slope from 0 to 5cm per meter). For good run-off of rain water, the minimum slope should be 2%.</p>	<h3>Reversal of the DPH5</h3> <p>If the application requires a larger surface for support, or to maximise surface area nearest to the building.</p>
---	---	---	--	---

## FEATURES:

- Designed & Manufactured in Belgium
- Made from 5mm thick 80% recycled polypropylene
- 2, 4.5, 6, 8 & 10mm Paver Spacer Tabs
- Adjustable heights from 17mm to 850mm
- UV Stable & Chemical resistant
- Provision for mechanical fixing if required
- Inbuilt safety locking mechanism

## BENEFITS:

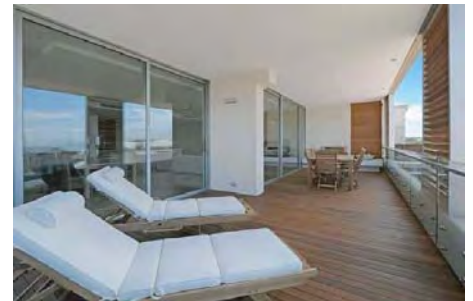
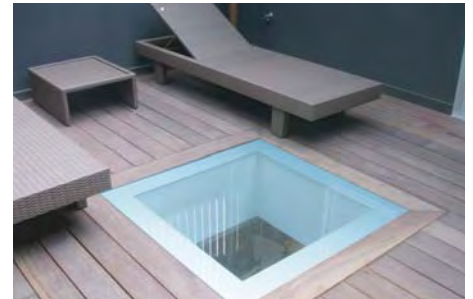
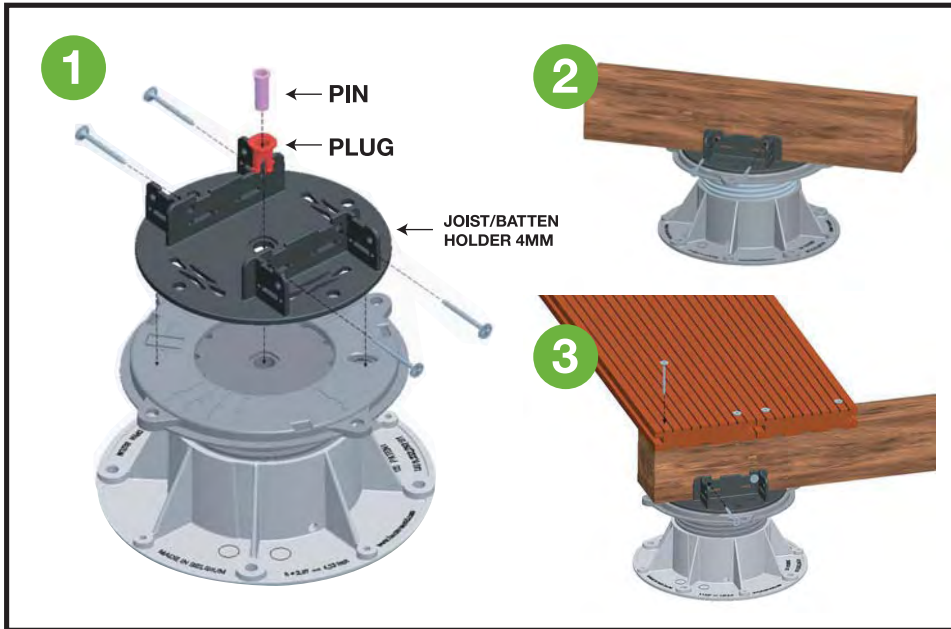
- Provides a sustainable solution
- Easy access to waterproofing membrane
- Allows for Positive Drainage & Air Ventilation
- Reduces sound transmission & Increases temperature insulation
- Ability to conceal services (i.e. plumbing, electrical etc)
- Compensates for 0-5% fall
- Will support 1000Kg upto a height of 850mm
- Quick & Easy installation



# All Types of Timber & Composite Decking



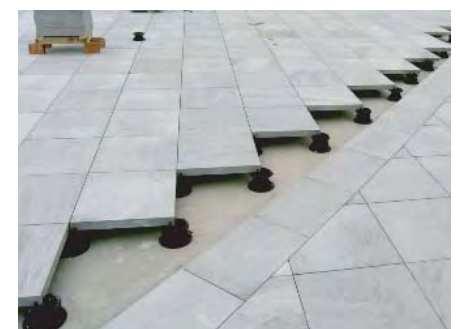
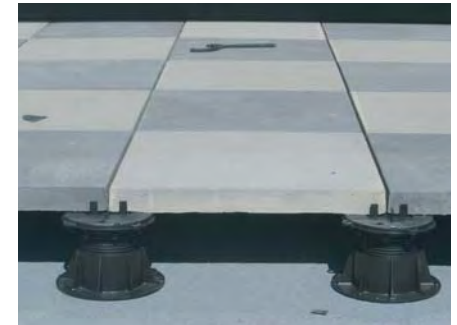
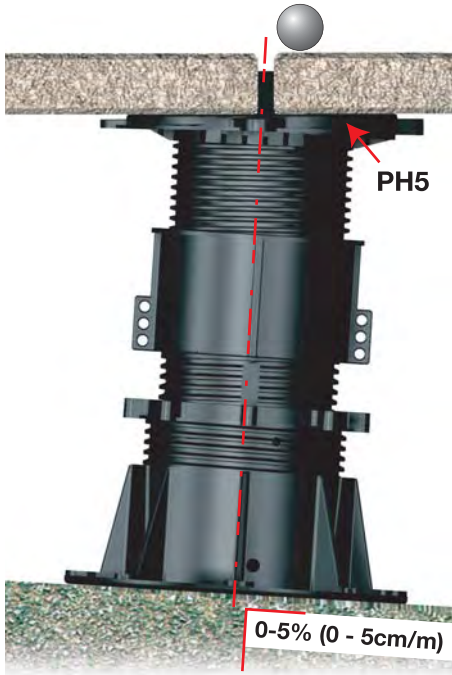
## Pedestal + Joist/Batten Holder





# All Types of Pavers & Stone

The Buzon height adjustable pedestal has a unique 0 – 5% slope compensation device, invented and patented by Claude Buzon



# PASCO

Head Office (VIC)  
13-15 Brighton Street  
Richmond, Victoria  
Tel: (03) 9429 9111  
Fax: (03) 9429 6111

NSW Distributor  
Atlantis  
3/19-21 Gibbes Street  
Chatswood, NSW 2067  
Tel: (02) 9417 8344  
Fax: (02) 9417 8311

WA Distributor  
Industrial Rubber Supplies  
102 Briggs Street  
Welshpool, WA 6106  
Tel: (08) 9362 5044  
Fax: (08) 9470 9279