




Contura Collection



caroma.com.au

inspire
Caroma

Contura Collection



Introducing Contura from Caroma. Strikingly sculptural and curvaceous, Contura is the embodiment of organic beauty. Offering luxurious style and function, Caroma Contura® delivers a pure, honest aesthetic to match a range of bathroom styles. Ideal for those seeking a signature look with design ingenuity and lifespan, Contura sets a new benchmark for simple luxury in the bathroom.



Products featured: Contura Wall Hung Invisi II Toilet Suite, Contura Freestanding Bath, Contura Freeform Inset Basin, Caroma Track Shower, Basin Mixer & Accessories and Dorf Epic Freestanding Bath Filler

Toilet Suites



- // 01 Contura Wall Hung Invisi® II Toilet Suite
- // 02 Contura Wall Faced Invisi® II Toilet Suite, available 2015
- // 03 Contura Wall Faced Close Coupled Suite, available 2015
- // 04 [Uni-Orbital Connector](#)

Contura Wall Faced suites include Caroma's patented Uni-Orbital® Connector, ensuring unparalleled set out flexibility. Exclusive to Caroma, the Uni-Orbital Connector saves on time and cost during installation.

Elegantly designed and meticulously detailed throughout, Contura toilet suites are inspired by European trends and designed to suit an Australian sense of style. Contura toilet suites deliver ageless beauty.

Caroma toilets are stringently tested beyond industry standards, delivering superior performance and increased lifespan.

Features

- Fully integrated, soft close seat
- Glazed box rim and trap for easy cleaning and hygiene control
- Vitreous china cistern shroud that removes traditional lid lines (wall faced suite only)
- Easily accessible plastic tank inside vitreous china cistern shroud (wall faced suite only)

Contura's organic curved, soft-close lid creates a sleek, integrated look.

Basins



Contura Freeform Inset Basin matched with Caroma Track Wall Basin Mixer

Contura's organic, minimalist form extends to its basin design, providing multiple style options to complement any bathroom space. Each basin boasts distinctive gentle curves and a sophisticated appearance. The range includes Caroma's first solid surface basin and the introduction of colour in a black basin.

Features

- Thin rim detail in line with current trends
- Integrated waste detail in matching material for a sleek organic look
- Solid surface basin is soft to touch, non-porous and hygienic
- 10 year commercial and domestic warranty



Contura 500 Inset Basin // 01

Contura Freeform Wall Basin // 02

Contura Freeform Inset Basin Black,
available late 2014 // 03

Contura Freeform Inset Basin // 04

Contura 530 Inset Basin // 05

Contura 530 Solid Surface Inset Basin //06

**Contura's organic, minimalist form
extends to its basin designs.**

Bath



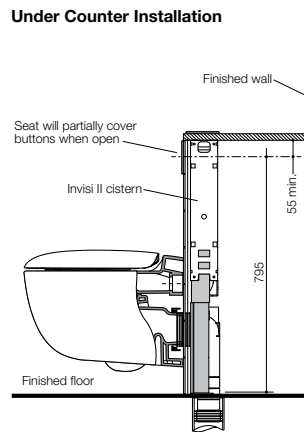
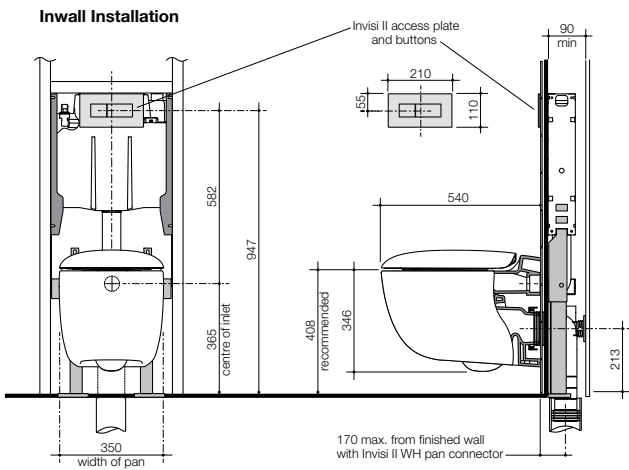


The Contura Bath creates a striking focal point in any bathroom. Crafted from solid surface, this bath exudes warmth and is soft to the touch making it ideal for an indulgent and relaxing soak. Generous dimension and dual reclined ends make it the ideal bath for two.

Features

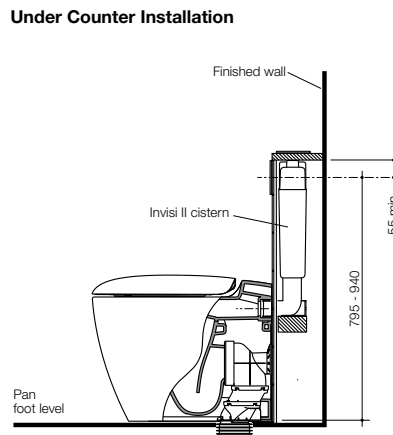
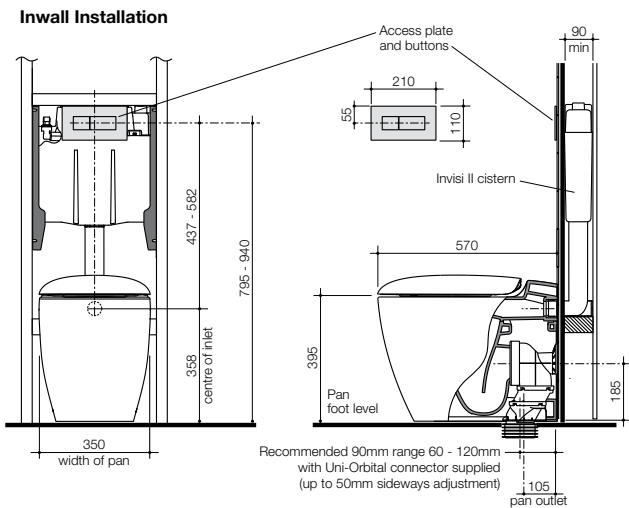
- Contemporary finish
- Stain and scratch resistant
- Soft touch, non-porous and hygienic
- Perfectly matches Contura basins and toilet suites for a complete bathroom collection
- Integrated waste detail in matching material for a sleek organic look

Toilet Suites



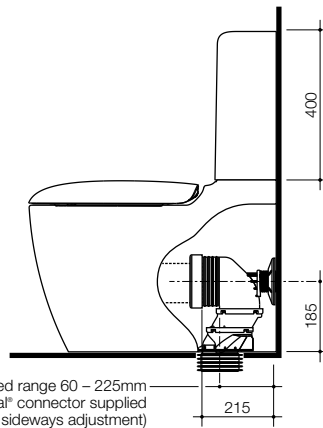
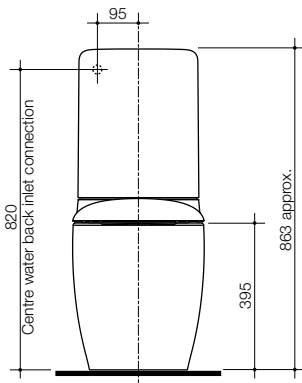
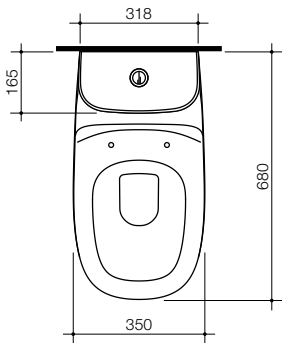
Contura Wall Hung Invisi® II Toilet Suite

839600W
 UC: 839610W
 SBW: 839620W
 WELS 4 star rated
 4.5/3L (3.5L avg/flush)



Contura Wall Faced Invisi® II Toilet Suite, available 2015

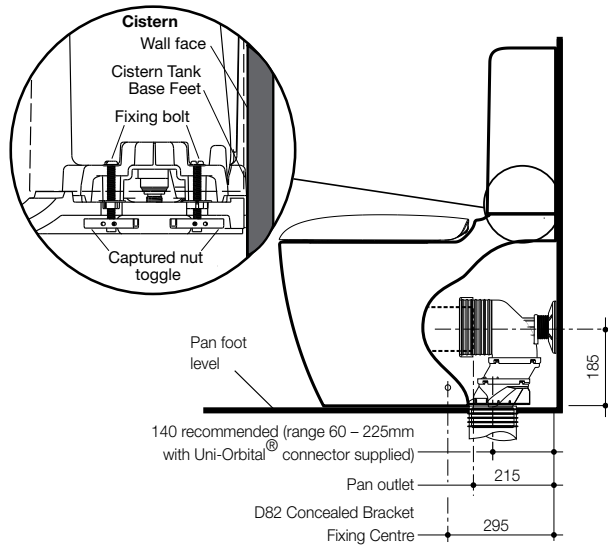
ID IC IW: 839500W
 WELS 4 star rated
 4.5/3L (3.5L avg/flush)



140 recommended range 60 – 225mm with Uni-Orbital® connector supplied (up to 50mm sideways adjustment)

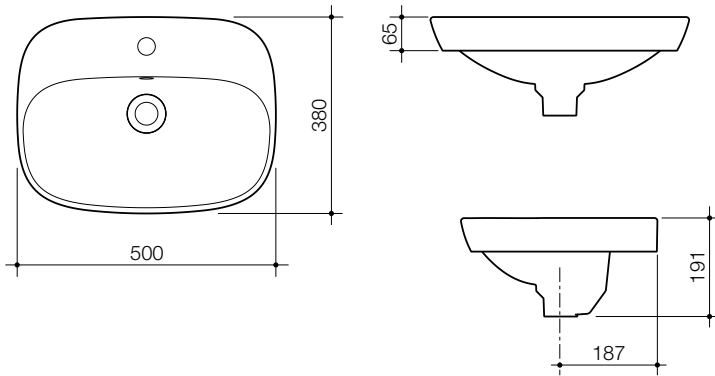
Contura Wall Faced Close Coupled Suite, available 2015

BE: 839400W
WELS 4 star rated
4.5/3L (3.5L avg/flush)



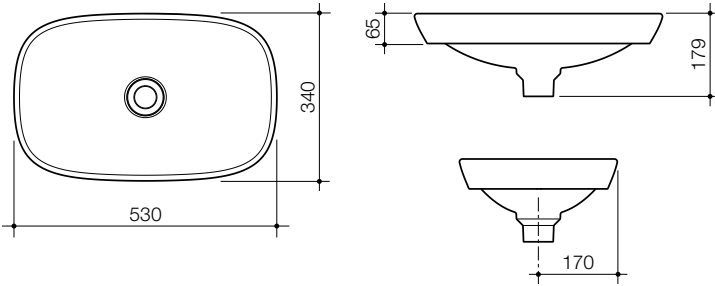
Note: Complete shroud fixing installation instructions are supplied with the Contura Wall Faced Close Coupled Suite and can be found at www.caroma.com.au

Basins



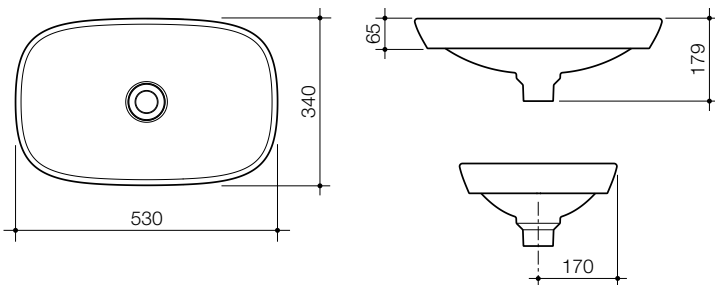
Contura 500 Inset Basin

1TH - 898715W
NTH - 898705W



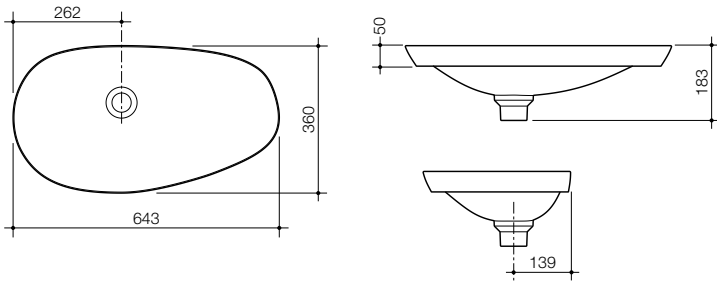
Contura 530 Solid Surface Inset Basin

NTH - 898900W



Contura 530 Inset Basin

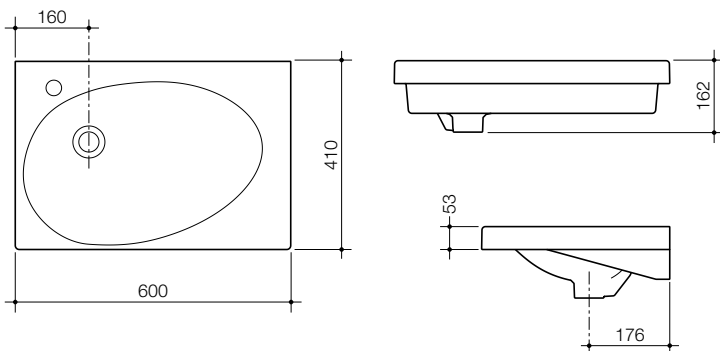
NTH - 895300W



Contura Freeform Inset Basin

NTH - 895500W (White)

NTH - 895500B (Black), available late 2014

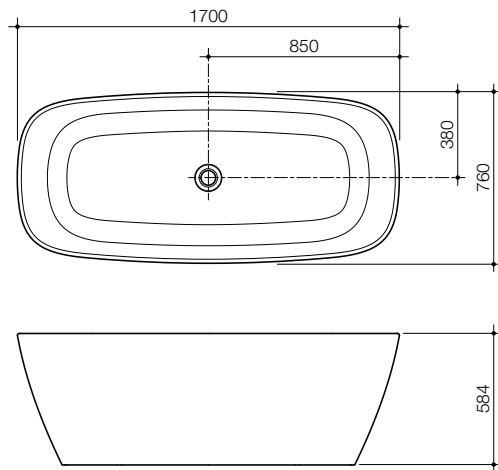


Contura Freeform Wall Basin

1TH - 895415W

NTH - 895405W

Bath








Contura Solid Surface
Freestanding Bath

CO7W
Rim thickness: 18mm

Product information

Product	Code	WELS	Dimensions	Set Out
Toilet Suites				
Contura Wall Hung Invisi® II Toilet Suite	839500W	4.5/3L WELS rated (3.5L avg/flush)	408mm high (from finished floor) x 350mm wide x 540mm projection	P Trap only, 213mm from finished floor
Contura Wall Faced Invisi® II Toilet Suite	ID IC IW: 839600W UC: 839610W SBW: 839620W	4.5/3L WELS rated (3.5L avg/flush)	395mm high x 350mm wide x 570mm projection	60-120mm (90mm recommended) up to 50mm adjustment in any direction with Uni-Orbital® Connector
Contura Wall Faced Close Coupled Suite	839400W	4.5/3L WELS rated (3.5L avg/flush)	395mm high x 350mm wide x 680mm projection	60-225mm (140mm recommended) up to 50mm adjustment in any direction with Uni-Orbital® Connector
Basins				
Contura 500 Inset Basin	1TH-898715W NTH-898705W	N/A	191mm high x 500mm wide x 380mm depth	
Contura 530 Solid Surface Inset Basin	NTH-898900W	N/A	179mm high x 530mm wide x 340mm depth	
Contura 530 Inset Basin	NTH-895300W	N/A	179mm high x 530mm wide x 340mm depth	
Contura Freeform Inset Basin	NTH-895500W (White) NTH-895500B (Black)	N/A	183mm high x 643mm wide x 360mm depth	
Contura Freeform Wall Basin	1TH-895415W NTH-895405W	N/A	162mm high x 600mm wide x 410mm depth	
Bath				
Contura Solid Surface Freestanding Bath	CO7W		584mm height x 1700mm length x 760mm depth	

The Contura Collection is suitable for a range of applications including:

-
-  Residential
 -  Office
 -  Hotel
 -  Shopping Centres
 -  Restaurants

inspire
Caroma

For more information call **13 14 16** or visit www.caroma.com.au

