

Uniclass L43224	EPIC D34
CI/SfB (44)	H

the new edge in safety for stairs

XT
range

GRADUS

GRADUS
 ACCESSORIES

GRADUS

 ACCESSORIES

XT

range

Building on 40 years of knowledge and experience Gradus has evolved its traditional stair edging design with the launch of the Gradus XT range, offering the ultimate solution in reducing slips, trips and falls on stairs. Based on the latest recommendations from the Building Research Establishment (BRE) and the guidance contained in Approved Document M (ADM) of The Building Regulations 2000, building owners and specifiers can request the Gradus XT range safe in the knowledge that they are using the very latest in product design and performance to protect all groups of building users.

Research undertaken by the BRE investigated the effect of going (step tread) size on stair safety and the use of proprietary nosings in overstep situations. The research resulted in the publication of a paper - BRE IP 15/03 Proprietary nosings for non-domestic stairs.

Results:

- as going sizes are reduced, the risk of overstepping on the edge of the step increases
- the contact area between the shoe and stair is dramatically reduced and increases the likelihood of the foot slipping off the nosing (step edge)
- this may lead to an irrecoverable misstep and a potentially serious fall

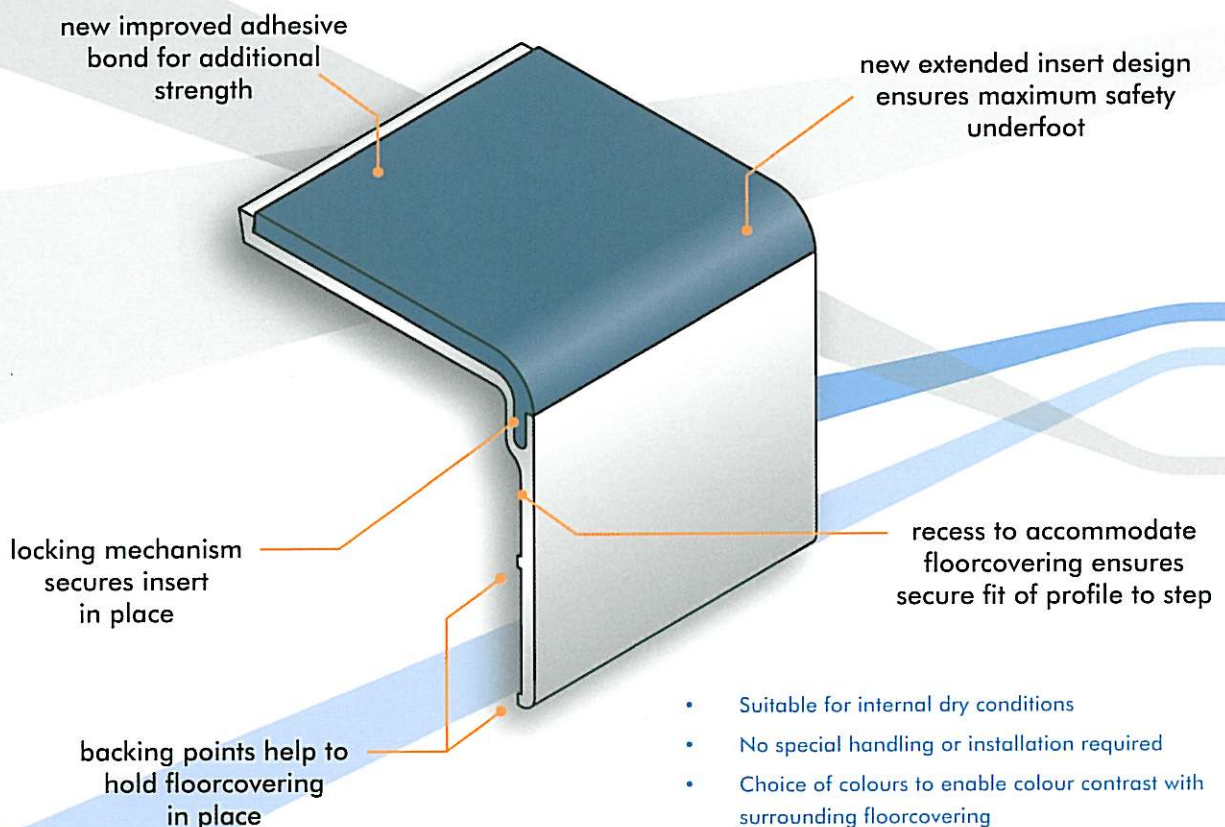
Conclusion:

- the risk of slip to the user may be reduced by increasing the available friction at the nosing (edge of the step)

The Gradus XT range features an extended insert that continues around the leading edge of the stair edging to ensure that contact is always made with the slip-resistant element of the stair edging.

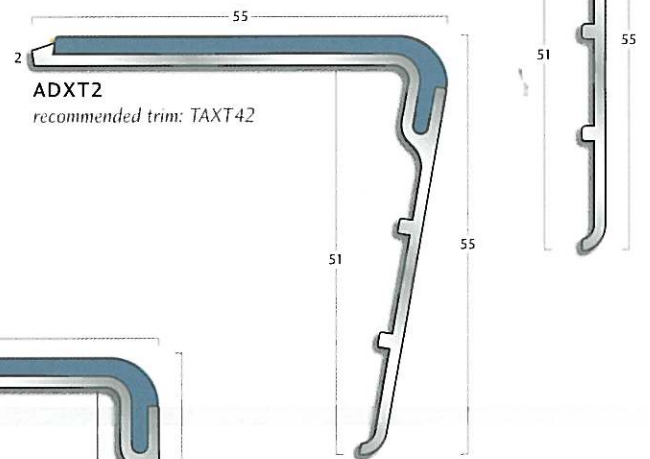
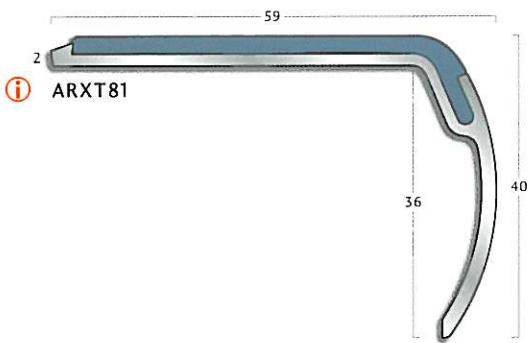
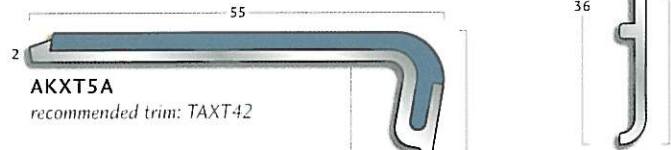
The XT range also incorporates 55mm treads and both 40mm and 55mm risers to meet the guidance in ADM to help building owners achieve an inclusive environment in line with the Disability Discrimination Act (DDA).

For further information contact Gradus Customer Support on 01625 428922.

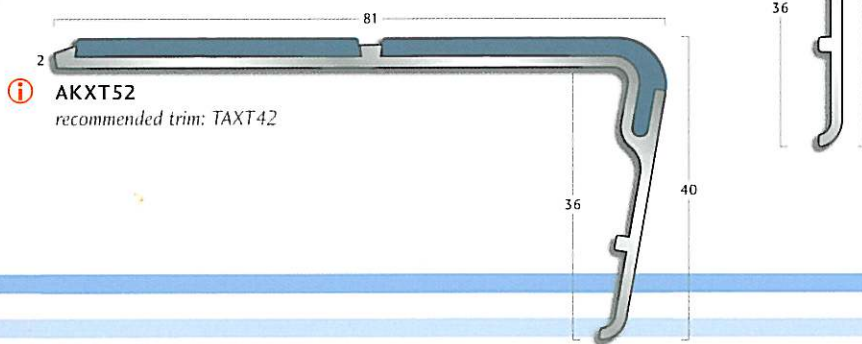
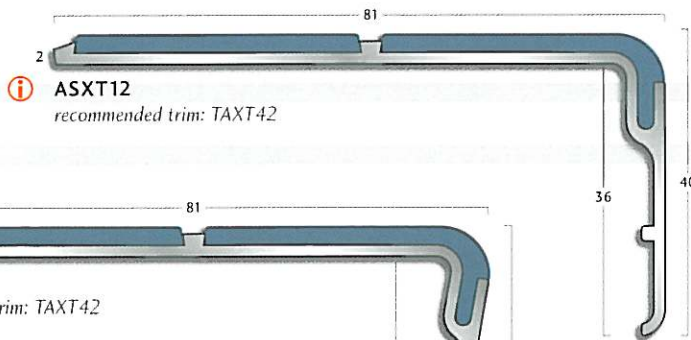




AXT range



! For recommended trim see overleaf



insert colour availability

Snowdrift	LRV 95 0500 - N	Canvas	LRV 80 2005 - Y50R	Buttercup	LRV 85 1070 - Y	Evergreen	LRV 30 7020 - B70G	Glacier	LRV 71 2502 - B	Steel	LRV 59 4500 - N

NCS Colour References

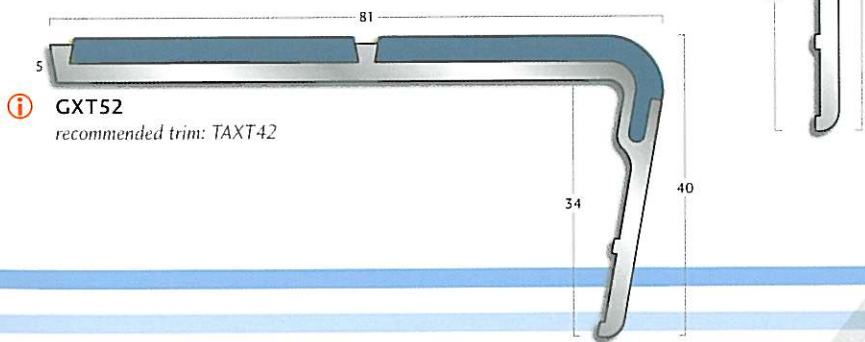
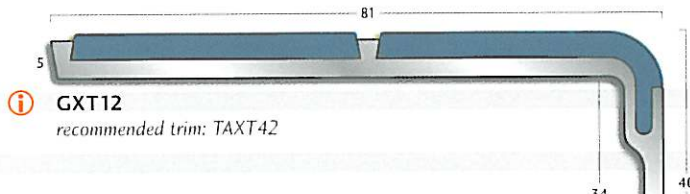
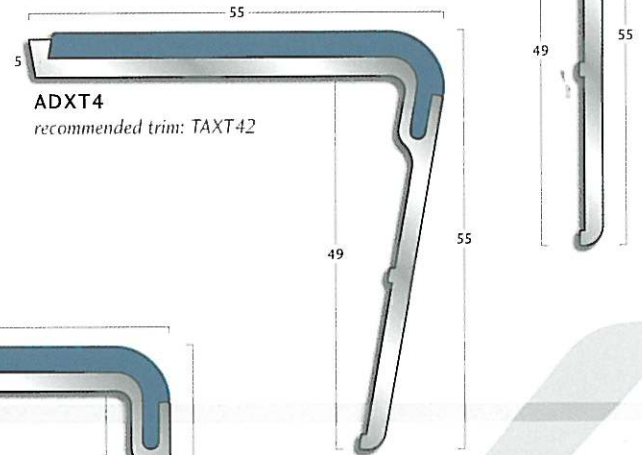
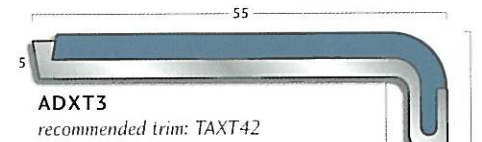
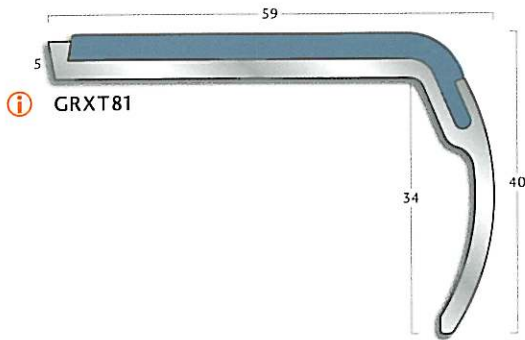
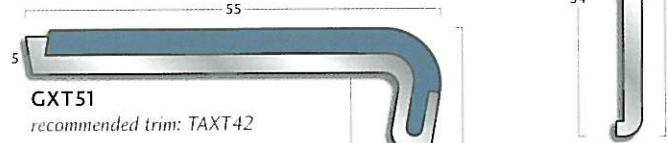
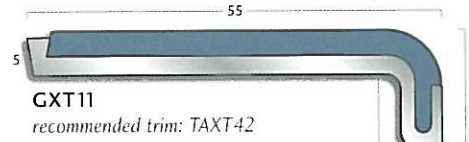


Gradus is a member of NCS (Natural Colour System) and utilises the NCS reference codes shown above. NCS is a user friendly colour language and is the only colour system that describes colour exactly as we see it. NCS is used by professionals as a tool for precise colour communication, selection and specification. For further information visit the NCS website - www.ncscolour.co.uk. ©Property of and used under licence from the Scandinavian Colour Institute AB, SCI-Sweden se, Stockholm 2004. *See www.ncscolour.co.uk for NCS-standard samples.*

Dimensions shown are nominal. Illustrations are full size in mm.
 Products subject to minor design alterations without notice.



GXT range



i Available January 2007

Printed Colours

Please note: Due to the limitations of the printing process, colours within this catalogue should not be relied upon for colour matching.
 An accurate colour match can only be achieved by requesting the relevant product sample(s) from Gradus Customer Support on 01625 428922.

Lead	LRV 42 7005 - R50B	Ocean	LRV 34 6020 - R90B	Ink	LRV 26 8010 - R70B	Coffee	LRV 29 8010 - Y50R	Jet	LRV 25 8502 - B

LRV - Light Reflectance Value

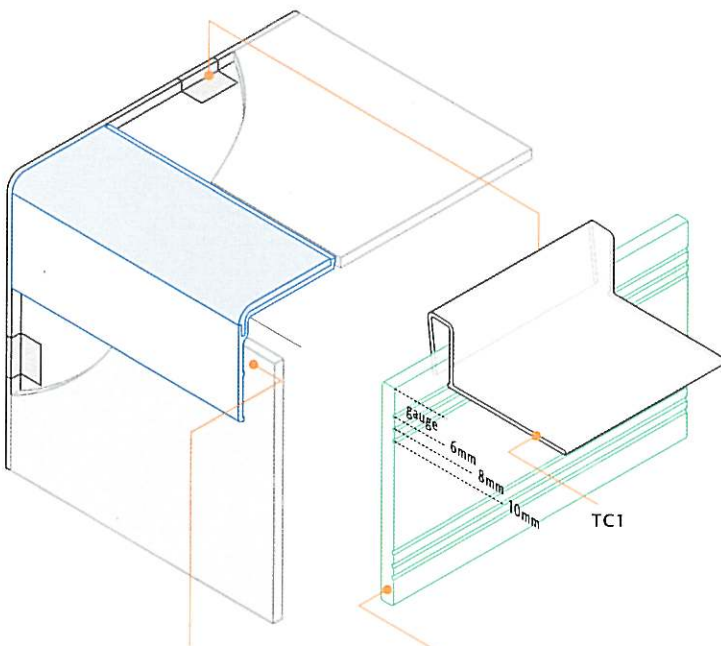
An LRV is a value given to a surface to denote the amount of light reflected and can be used to measure colour contrast between surfaces. These values have been determined with reference to the CIELAB colour measurement method. The L co-ordinate represents lightness and extends from 0 (black) to 100 (white) and has been used as a measure of light reflectance value. As a guide a stair edging should colour contrast with the surrounding floorcovering by a minimum of 30 points on the LRV scale.

Side Trims and Welded Corners



Side trims and welded corners are designed to form a neat and attractive edge around the open end of a step by concealing the edge of the floorcovering and stair edging.

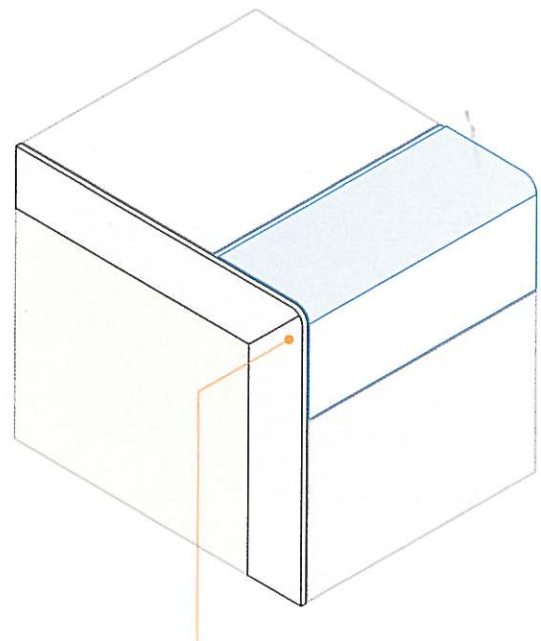
Gradus side trim TA42 can be ordered in straight lengths for on-site fabrication or can be supplied as pre-formed welded corners TAxT42. When ordered as TAxT42 the apex of the welded corner is contoured to a 10mm radius to match the curved edge design of the XT stair edging profiles, providing a flush, neat finish.



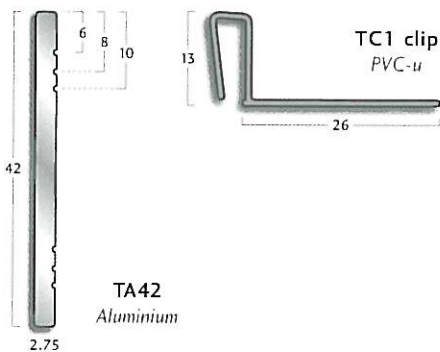
recess to accommodate floorcovering ensures secure fit of profile to step

TAxT42

VIEW FROM OPEN END OF STEP



TAxT42 with contoured edge to provide a flush, neat finish to the stair edging profile



WELDED CORNERS AND TRIMMING STRIPS WITH TC1 CLIPS

Section	Gauge	Stock Lengths	78° - 90° LH or RH	83° & 90° Universal	Fixing Clips	Site Join
TAxT42	6-8-10mm	2.75m	✓	✓	TC1	butt



contact Gradus Customer Support
for installation and
cleaning & maintenance
instructions on **01625 428922**

Hardnose® Stair Edgings

Gradus PVC-u Hardnose® DDA and RNC stair edgings complement the XT range by featuring a co-extruded edge to continue the insert material round the leading edge of the stair edging, thus providing enhanced slip-resistance in line with the recommendations from BRE. The colour of the insert material matches the channel, and is bonded during manufacture to ensure maximum safety underfoot.

Available in 11 channel colours with matching insert colours the DDA and RNC ranges offer specifiers a choice of colours in order to achieve a colour contrast to the surrounding floorcovering, as detailed in Approved Document M (ADM) of The Building Regulations 2000 and BS8300:2001.

! For HT38 and HT42 recommended trims see Gradus Floor Trim & Stair Edgings catalogue - pages 50 to 51

RNC511 55 40
recommended trim: HT38, HT42
 Registered Community Design Application
 No.s 000188982-0001 to 0006

RNC551 55 40
recommended trim: HT38, HT42
 Registered Community Design Application
 No.s 000188982-0001 to 0006

DDA1
recommended trim: HT38, HT42
 Registered Community Design Application
 No.s 000188982-0001 to 0006

DDA2
recommended trim: HT38, HT42
 Registered Community Design Application
 No.s 000188982-0001 to 0006

DDA3
recommended trim: HT44, HT42
 Registered Community Design Application
 No.s 000188982-0001 to 0006

DDA4
recommended trim: HT44, HT42
 Registered Community Design Application
 No.s 000188982-0001 to 0006

COLOUR AVAILABILITY
RNC + DDA Hardnose Channel: Black, Bluebell, Brown, Buttercup, Canvas, Dove, Evergreen, Glacier, Granite, Ink, Snowdrift.
 (all other Hardnose channel colours are available subject to minimum quantities and lead times).
Interior Insert: Alpine, Burgundy, Buttercup, Canvas, Cloud, Coffee, Evergreen, Glacier, Ink, Jet, Lavender, Lead, Linen, Midnight, Nutmeg, Ocean, Poppy, Sage, Snowdrift, Steel, Storm, Veranda.
Interior Insert - Grained: Black, Bluebell, Brown, Dove, Granite.
Interior Plus Insert: Anthracite, Chalk, Clay, Flint, Greystone, Sand, Sapphire, Slate.

For full insert and colour information contact Gradus Customer Support on 01625 428922.



Gradus Accessories Park Green Macclesfield Cheshire SK11 7LZ England UK Tel: 01625 428922 Fax: 01625 433949

www.gradusworld.com

For enquiries outside the UK and Eire contact Gradus International on +44 (0)1625 613780