

A Disappearing Act That Will Impress



HAWA - Concepta 25/30/50
2010

HAWA - Concepta 25/30/50

A disappearing Act that will impress

The new HAWA Concepta 25/30/50 pivot/slide system is the ideal choice for those looking for a space saving, convenient and easy to fit solution for pivoting glass and timber doors weighing up to 50kg that slide away. All the more so as HAWA Concepta can handle virtually any door dimensions. It smooths the path for creative ideas with various installation options, profiles and handles. It can even close a wall recess without any cabinet carcass.

One thing that is certain with present design trends is; anything that is not needed right now should simply vanish. HAWA Concepta 25/30/50 pivot/slide system can open up a space or close it completely away. It can be used for furniture as well as in buildings, it makes flush-fitting cabinet fronts in the home office, bathroom or kitchen disappear. It is also an outstanding method for concealing recesses.

About the product

Considering the huge range of options it offers, the HAWA-Concepta 25/30/50 requires a very limited amount of space. This is because the doors only need a very narrow recess inside the cabinet. The

sophisticated technology scores further points in the convenience category: pivoting and sliding large, heavy doors is virtually effortless thanks to high-quality trolleys. And installing the HAWA-Concepta 25/30/50 is just as effortless. Installation requires no processing other than drilling holes for positioning and for the concealed hinges, as all components are screwed to the intermediate panel. Adjustments are conveniently made from the front.



HAWA - Concepta 25/30/50

At a glance

- Doors are simply turned 90° and pushed into a recess to save space.
- Advanced scissor technology makes it impossible for doors to jam.
- High-quality trolleys ensure that heavy doors weighing up to 50kg pivot and slide smoothly.
- Covers wall recesses to provide room-high partitions level with the floor without any need for a cabinet body.
- Identical sets for left and right doors.
- Components are fixed to the intermediate panel and all adjustments are made from the front.
- Modular all-glass solution with four design options thanks to vertical profiles and handle options in various lengths.
- Form-fitting patch suspension for glass solutions provides the greatest possible safety.

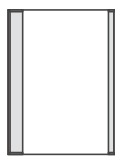
Technical specifications	
Max. door weight	25, 30, 50 kg
Door width	300 - 900 mm
Door thickness (timber)	19 - 50 mm
Door thickness (glass)	8 mm
Door height (Concepta 25)	1250 - 1850 mm
Door height (Concepta 30)	1851 - 2500 mm
Door height (Concepta 50)	1900 - 2850 mm

Innovative concept for toughened glass doors:

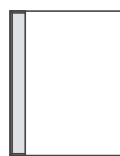
one solution, four different designs.



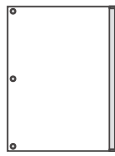
Glass patch fittings with decorative discs.



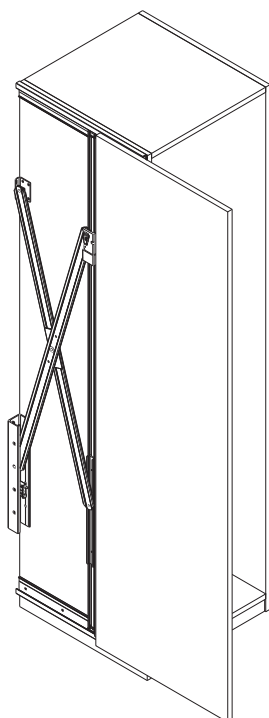
Glass patch fittings with cover strip and frame profile.



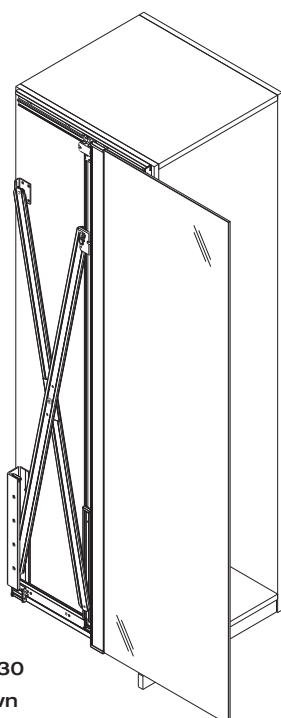
Glass patch fittings with cover stop profile.



Glass patch fittings with decorative discs and frame profile.



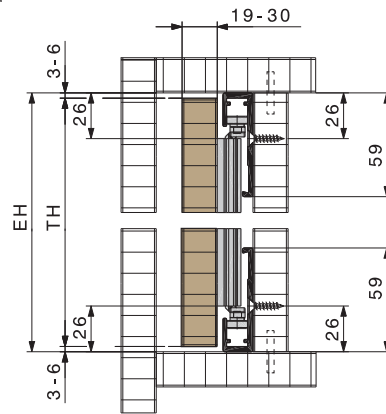
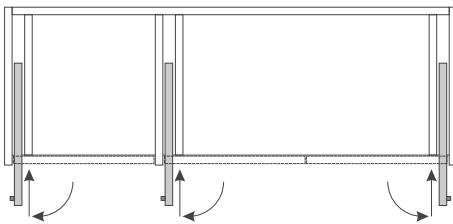
HAWA-Concepta 25/30
Timber Version Shown



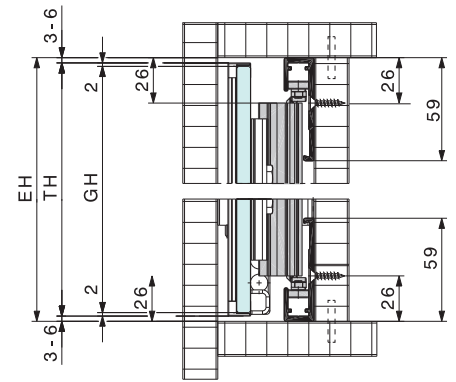
HAWA-Concepta 25/30
Glass Version Shown

Inset Doors

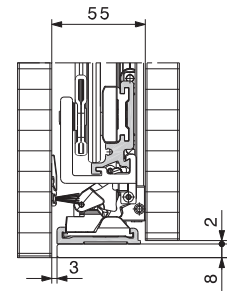
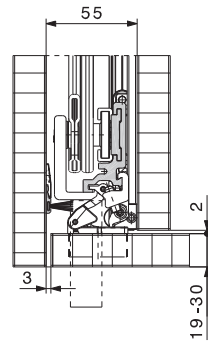
The HAWA-Concepta 25/30/50 can be used for standard furniture designs.



HAWA-Concepta 25/30
Timber Version

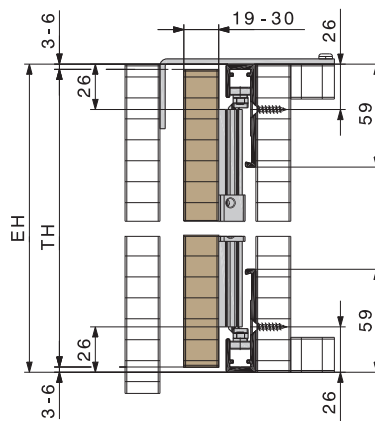
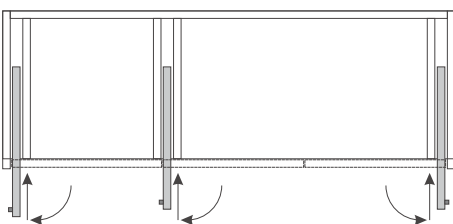
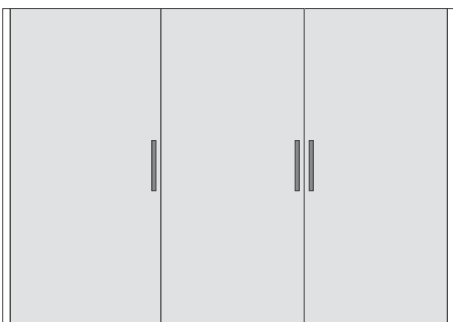


HAWA-Concepta 25/30
Glass Version

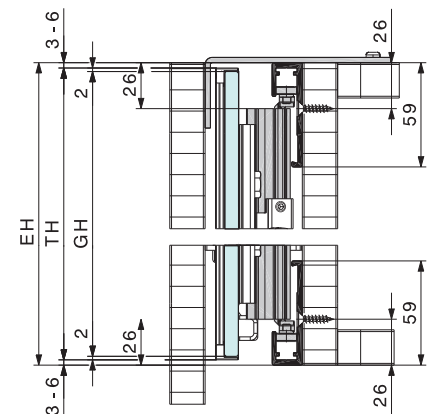


Doors Resting Against Upper and Bottom Section

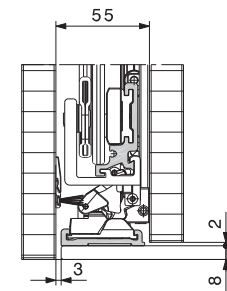
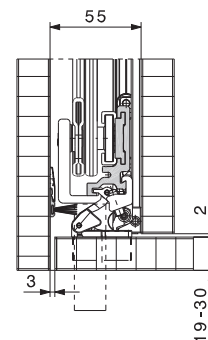
The optional connecting bracket allows designs with timber and glass doors resting against the top and bottom cabinet sections.



HAWA-Concepta 25/30
Timber Version

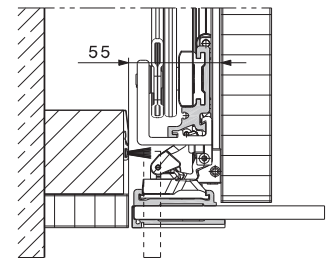
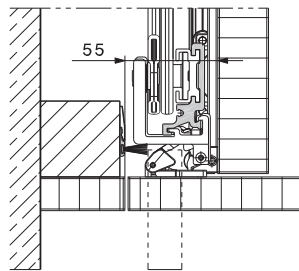
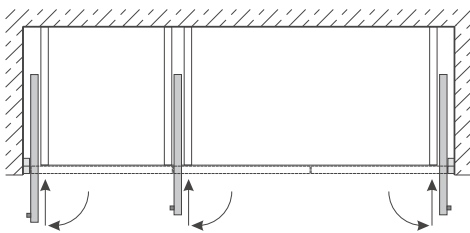
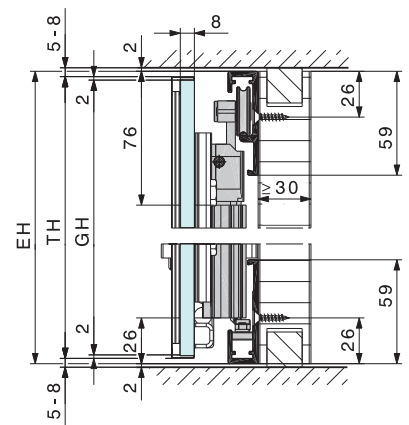
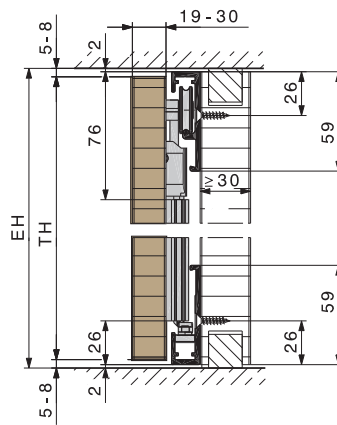
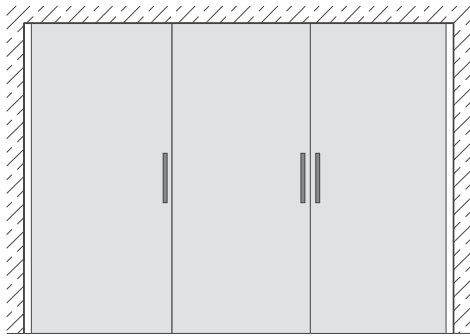


HAWA-Concepta 25/30
Glass Version



Doors in a Wall Recess

The HAWA-Concepta can also conceal wall recesses without a cabinet carcass.

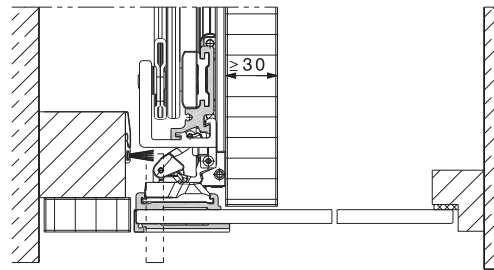
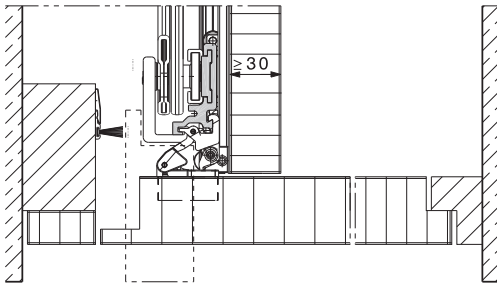


HAWA-Concepta 50
Timber Version

HAWA-Concepta 50
Glass Version

Room Partitioning Solution

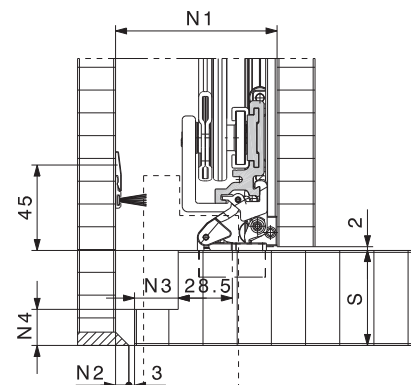
Room-high doors for partitioning solutions are possible as the HAWA-Concepta 25/30/50 does not require top and bottom cabinet sections. All components are screwed onto the intermediate panel.



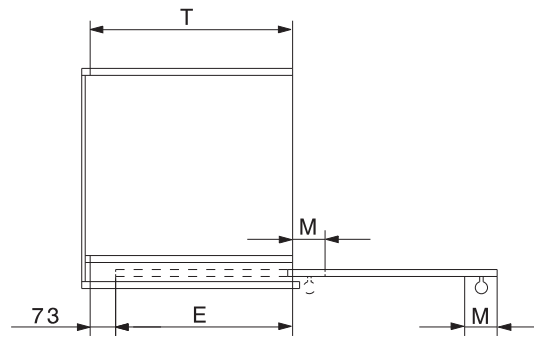
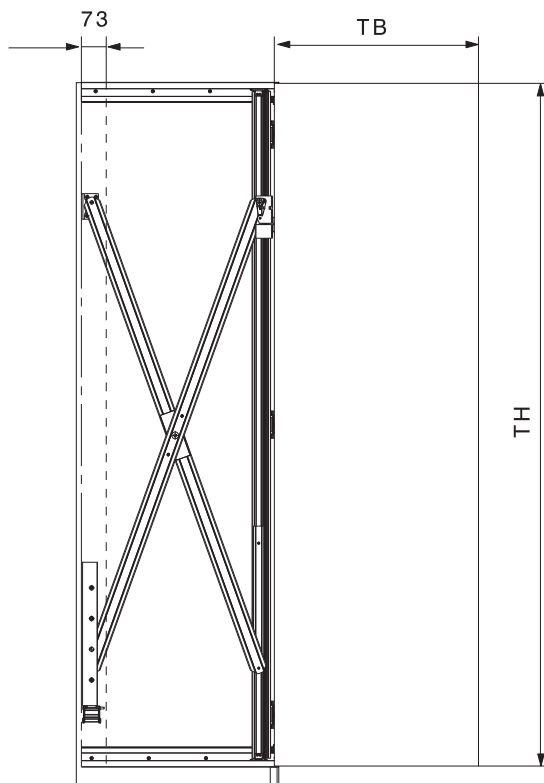
Timber Doors from 30 mm

Rebates enable the installation of timber doors with thicknesses from 30 mm.

S	N1	N2	N3	N4
20 - 30 mm	55 mm	0 mm	0 mm	0 mm
33 mm	58 mm	0 mm	3 mm	3 mm
36 mm	63 mm	2 mm	6 mm	5 mm
39 mm	67 mm	3 mm	9 mm	8 mm
42 mm	70 mm	3 mm	12 mm	11 mm
45 mm	75 mm	5 mm	15 mm	14 mm
48 mm	79 mm	6 mm	18 mm	17 mm
50 mm	83 mm	7 mm	21 mm	19 mm



Calculations



$$T = TB - M + 73 \text{ mm}$$

$$E = T - 73 \text{ mm}$$

Type	T	TH	E
HAWA-Concepta 25	≤ 650 mm	1250 - 1850 mm	≤ 577 mm
HAWA-Concepta 30	≤ 900 mm	1851 - 2500 mm	≤ 827 mm
HAWA-Concepta 50	≤ 900 mm	1900 - 2850 mm	≤ 827 mm



HÄFELE AUSTRALIA PTY LTD.

Design Centres

Melbourne Design Centre

T: (03) 9212 2000
F: (03) 9652 3701
E: info@hafele.com.au

Sydney Design Centre

T: (02) 8788 2200
F: (02) 8302 2101
E: nsw@hafele.com.au

Newcastle Design Centre

T: (02) 8788 2200
F: (02) 4921 0901
E: nsw@hafele.com.au

Brisbane Design Centre

T: (07) 3344 1533
F: (07) 3253 3701
E: qld@hafele.com.au

Hobart Design Centre

T: (03) 6331 7106
F: (03) 6334 6414
E: tas@hafele.com.au

Perth Design Centre

T: (08) 9249 3833
F: (08) 9215 6101
E: wa@hafele.com.au

State Offices

Victoria (Head Office)

T: (03) 9212 2000
F: (03) 9212 2001
E: info@hafele.com.au

New South Wales

T: (02) 8788 2200
F: (02) 8788 2201
E: nsw@hafele.com.au

Queensland

T: (07) 3344 1533
F: (07) 3344 1770
E: qld@hafele.com.au

Western Australia / N.T.

T: (08) 9249 3833
F: (08) 9249 3328
E: wa@hafele.com.au

South Australia

T: (08) 8232 9933
F: (08) 8232 9977
E: sa@hafele.com.au

Australian Capital Territory

T: (03) 6202 2800
F: (02) 6228 1418
E: act@hafele.com.au

Tasmania

T: (03) 6331 7106
F: (03) 6334 6414
E: tas@hafele.com.au

HÄFELE NEW ZEALAND LTD.

Offices and Design Centres

Eastern Design Centre

T: (09) 274 2040
F: (09) 274 2041
E: info@hafele.co.nz

Wellington Design Centre

T: (04) 472 0294
F: (04) 472 0295
E: wellington@hafele.co.nz

Christchurch Design Centre

T: (03) 343 8200
F: (03) 343 8201
E: christchurch@hafele.co.nz

Auckland Design Centre

T: (09) 274 2530
F: (09) 274 2531
E: architectural@hafele.co.nz

www.hafele.com