

# Architectural Drains

## Architectural Drains

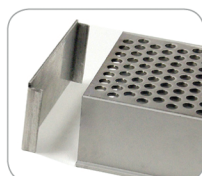
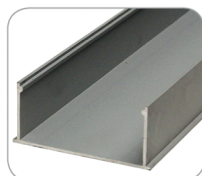
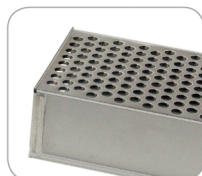


- Grating made from genuine 304 grade stainless steel for extended service life
- Channel made from high-grade aluminium to reduce weight
- L shaped support allows easy removal of grating for cleaning of channel
- Grating is kept securely in place by separate end piece supplied
- Modular design allows easy installation and extension
- All dimensions are in mm

## Architectural Drains



Product Code	Overall size LxWxD	Ctn qty	Pack	RRP \$ per each	LIST \$ per each
CHNL1000	1000x94.6(inner 84)x41.5 (2.5mm thick grate)	4	BOX	<b>312.03</b>	283.67
CHNL1500	1500x94.6(inner 84)x41.5 (2.5mm thick grate)	4	BOX	<b>468.05</b>	425.50
CHNL1000A	1000x94.6(inner 84)x41.5 (3mm thick grate)	4	BOX	<b>324.68</b>	295.17
CHNL1500A	1500x94.6(inner 84)x41.5 (3mm thick grate)	4	BOX	<b>487.02</b>	442.75

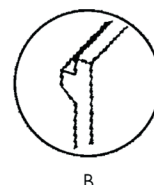
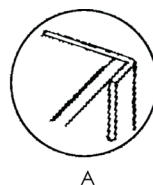
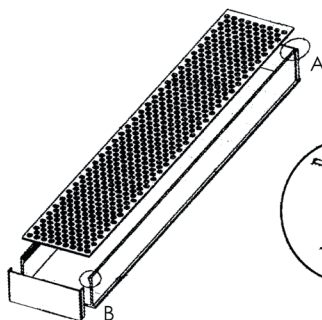


**WaterMark**

ATS 5200.040  
Certificate No. 23047

Length: 1000 & 1500 mm  
Grating Width: 84 mm  
Channel Width: inner 84 mm, outer 94.6 mm  
Depth: 41.5 mm

Suitable for:  
Residential use  
Commercial use  
Bathrooms  
Balconies  
Swimming pools  
Gardens  
Commercial Kitchens



## Order Now!

Call: (02) 9516 4800  
Fax: (02) 9517 4900  
Email: sales@vinco.com.au  
Web: www.vinco.com.au



**HARDWARE PRODUCTS**