

THE ULTIMATE SOLUTION FOR SELF-CLOSING TAPWARE



Easy touch activation

Electronically controlled for accurate flow times

Flow time is adjustable to suit target application needs

Anti-vandal design with non-hold open feature

Unique on-off function

A NEW ERA FOR SELF CLOSING TAPWARE INTRODUCING ENMATIC TIME FLOW TECHNOLOGY

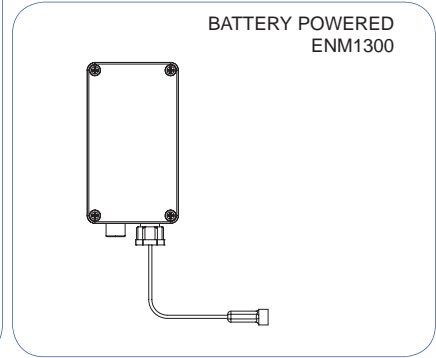
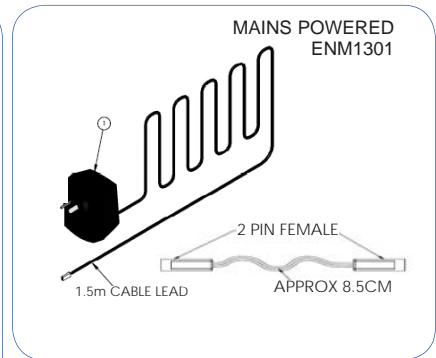
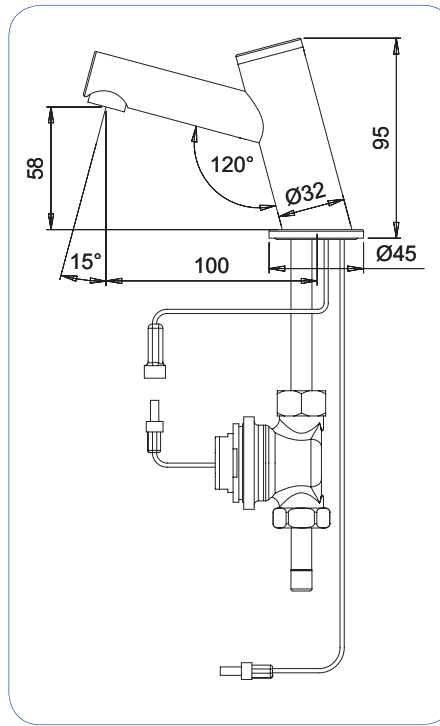
Years of development in electronic sanitary products have resulted in a new era for self closing taps. The Enmatic Touch Activated Time Flow is an electronic version of a regular mechanical self closing tap. It is operated by touch, making use of the proven Piezo technology.





TOUCH ACTIVATED TIME FLOW PILLAR TAP
ENMATIC 1000 Series

PRODUCT CODES:
ENM1300 Battery Powered
ENM1301 Mains Powered



EASY TOUCH ACTIVATION

The mechanical self closing taps require considerable strength to activate the water flow mechanism, making them harder to use by young children, elderly and disabled people. The Enmatic Touch Activated Time Flow's easy touch mechanism can be activated with almost no force, allowing all user groups equal comfort when using self closing tapware.

With a hands free automatic shut-off, the Enmatic Touch Activated Time Flow provides an easy to use, hygienic tapware solution.

ACCURATE FLOW TIMES

The electronically managed water flow provides a very accurate and stable water discharge; the default water flow of 8 seconds is accurately provided throughout the complete product life time.

EASY TO ADJUST FLOW TIMES

The flow time is easily adjustable on site and can be programmed to best suit the application requirement. There is no need to turn the water off or make internal adjustments to the tap.

ADVANCED 'ON - OFF' FUNCTION

This enables the user to stop the water before the flow cycle has finished. When the user does not require any additional water, touching the Piezo button again, while the water is still running, will automatically stop the water flow. This ensures additional water conservation and reduces operating costs.

ANTI-VANDAL DESIGN

The Enmatic Touch Activated Time Flow does not have any external moving parts. The user touches the full brass cap for activation of the water flow. In addition, there is a 'non-hold-open' feature to prevent excessive water wastage. No moving parts and the 'non-hold-open' feature provide a very high level of vandal resistance.

HELPS REDUCE MAINTENANCE COSTS

The Enmatic Touch Activated Time Flow has a very low sensitivity for dirty water and lime, reducing maintenance costs compared to many mechanical options available.

TECHNICAL SPECIFICATIONS

Product Control	Electronically Piezo touch operated
Installation	Deck mounted
Construction	Full brass
Water Supply	Cold or premixed water
Water Temperature	Maximum 70°
Operating Pressure	50 – 800 kPa (0.5 – 8.0 bar)
Recommended Maximum Working Pressure	AS/NZS 3500 states maximum pressure 500kpa at any outlet
Power Specification	9V low voltage system
Power Source	6 x 1.5 V AA batteries
Battery Life Time	500,000 + cycles
Battery Box	Waterproof IP 67
Default Flow Time	8 seconds
Programmable Flow Time	0-60 seconds
Warranty	1 year limited warranty



Enware's Time-flow tapware is supplied standard with WELS rated 4 star water efficiency rating. Also available in WELS 3.5 and 6 star ratings.

Enware tapware must be installed in accordance with the provisions of AS/NZS 3500. Installations not complying with AS/NZS 3500 may void the product and performance warranty provisions.



For more information call 1800 671 864

9-11 Endeavour Road Caringbah NSW 2229
 PO Box 2545 Taren Point NSW 2229
 Ph: 61-2-9525 9511 Fax: 61-2-9525 9536

www.enware.com.au e-mail: info@enware.com.au