



ULLTRACLAD[©]

Aluminium Cladding

ULLRICH ALUMINIUM CO LTD



BRANZ Appraisal Certificate
No. 454 (2005)

Contents

1.0	General information	2
2.0	Design information	4
3.0	Installation information	7
4.0	Maintenance	11
5.0	Health and safety	12

1.0 General information

1.1 Introduction

Ulltraclad® Aluminium Cladding is an interlocking powder coated horizontal weatherboard system, which is designed to be used as a complete external wall cladding system for residential and light commercial type buildings where domestic construction techniques are used.

Ulltraclad® Aluminium Weatherboards are produced in a rusticated weatherboard profile, with either a smooth (Standard), corrugated (Baby Corro) or grooved (Tee Board) face and are powder coated on the exposed surfaces. When installed, the cladding is effectively 15 mm thick. Standard and Baby Corro weatherboards are available 190 mm wide and are supplied 5 m and 6 m long. Tee Boards are available 150 mm wide and are supplied 5 m and 6 m long.

The Ulltraclad® Aluminium Weatherboard system is applied direct to the external wall framing over an absorbent building wrap and incorporates head, sill and jamb flashings for window and door penetrations as well as airseals to joinery reveals.

1.2 BRANZ Appraisal

Ulltraclad® Aluminium Cladding has been appraised by BRANZ. Refer to Appraisal Certificate No. 454 (2005).

1.3 Ulltraclad® Weatherboards

Ulltraclad® Aluminium Weatherboard is extruded by Ullrich Aluminium Co Ltd using 6060 T5 grade aluminium alloy.

Ulltraclad® is available finished in a series of Dulux Durraloy standard powder coat colours. The powder coating carries a 25 year warranty. Other non-standard colours as well as anti-graffiti finishes are also available on request.

1.4 Accessories

Accessories supplied by Ullrich Aluminium Co Ltd for use with Ulltraclad® Aluminium Cladding include:

- Starter strip – an extruded aluminium profile used to locate and secure the bottom of the first course of weatherboards. The starter strip is powder coated and is available in 5 m lengths.
- External and internal corner moulding – extruded aluminium 90° two-piece internal corner mould and 90° two-piece external corner mould. The mouldings are powder coated and are available in 5 m lengths.
- Board jointer – extruded aluminium 'H' jointer for jointing lengths of Ulltraclad® weatherboard. The jointer is powder coated and is available in 5 m lengths.
- Board locator – an extruded aluminium locator used to locate the bottom edge and secure the top edge of individual weatherboard courses. The board locators are 50 mm long and are predrilled for fixing.
- Head and jamb flashings – extruded aluminium to suit the window or door trim opening. The flashings are powder coated and are available in 5 m lengths.
- Ulltraclad® weatherboard fixings – 30 x 3.3 mm AISI-302Cu stainless steel screws.

1.5 Handling and storage

Ulltraclad® weatherboards and accessories must be stacked flat, off the ground and supported on a level platform. They must be kept dry either by storing under cover or providing waterproof covers to the stack. Care must be taken to avoid damage to powder coated surfaces. Weatherboards must always be carried on edge.

2.0 Design information

2.1 Design responsibility

The Specifier for the project must ensure that the details provided by Ullrich Aluminium Co Ltd are suitable for the intended application and that additional detailing is provided for specific design or any areas that fall outside the scope and specifications of this literature.

2.2 Scope

This literature covers the use of Ulltraclad® Aluminium Cladding using Standard, Baby Corro and Tee Board weatherboards as an external wall cladding for buildings within the following scope:

- the scope limitations of NZBC Acceptable Solution E2/ AS1, Paragraph 1.1; and,
- constructed with timber framing complying with the NZBC; and,
- with a risk score of 0–12, calculated in accordance with NZBC Acceptable Solution E2/ AS1, Table 2; and,
- situated in NZS 3604 Building Wind Zones up to, and including 'Very High'.

Standard, Baby Corro and Tee Board weatherboards must only be installed horizontally on vertical, flat surfaces.

Ulltraclad® Aluminium Cladding is designed for use with aluminium window and door joinery that is installed with vertical jambs and horizontal heads and sills. (*Ulltraclad® Aluminium Cladding relies on the joinery meeting the requirements of NZS 4211 for the relevant Building Wind Zone.*)

For applications which are outside the scope of this literature and details not provided by Ullrich Aluminium Co Ltd, the specifier must ensure that the design meets the relevant performance requirements of the NZBC.

Ullrich Aluminium Co Ltd recommends that professional design advice is sought in these circumstances.

2.3 Building Regulations

Ulltraclad® Aluminium Cladding if designed, used and installed in accordance with the statements and conditions of this literature and the supporting BRANZ Appraisal, will meet the following provisions of the New Zealand Building Code:

- Clause B1 Structure
- Clause B2 Durability
- Clause E2 External Moisture
- Clause F2 Hazardous Building Materials

2.4 Ground Clearances

The finished floor level must have a minimum clearance to paved or unprotected ground as required by NZS 3604:1999.

Ulltraclad® Aluminium Weatherboards must overhang the bottom plate on a concrete slab by a minimum of 50 mm as required by NZS 3604:1999.

The bottom edge of the Ulltraclad® Aluminium Weatherboards must finish a minimum of 100 mm above paved surfaces or 175 mm above unprotected ground.

At deck or low pitch roof/ wall junctions, the bottom edge of the Ulltraclad® weatherboards must be kept clear of any adjacent surface, or above the top surface of any adjacent roof flashing by a minimum of 35 mm.

2.5 Structure & Framing

Timber wall framing behind Ulltraclad® Aluminium Cladding must be treated as required by NZS 3602:2003 *Timber and wood-based products for use in building*.

Timber framing must comply with NZS 3604 for buildings or parts of buildings within the scope limitations of NZS 3604. Buildings or parts of buildings outside the scope of NZS 3604 must be to a specific design in accordance with NZS 3603 and NZS 4203.

Where specific design is required, the framing must be of at least equivalent stiffness to the framing provisions of NZS 3604. Use of timber framing must be in accordance with framing manufacturer's specifications.

In all cases studs must be at maximum 600 mm centres, with dwangs fitted flush between the studs at maximum 800 mm centres.

2.6 Special Framing Requirements

The following are special framing requirements:

- double studs at internal corners ;
- extra packers may be required at external corners;
- extra studs for Ulltraclad® vertical jointers.

2.7 Framing Tolerances

In order to achieve an acceptable wall finish, it is imperative that framing is straight and true. Framing tolerances must comply with the requirements of NZS 3604:1999.

2.8 Building Wrap

Ulltraclad® Aluminium Cladding must be installed over building paper or wrap complying with NZBC Acceptable Solution E2/AS1, Table 23, or other BRANZ Appraised breather-type membranes suitable for use behind non-absorbent claddings, i.e. the membrane must have a minimum surface absorbency of 100 g/m².

Unlined gables and walls must incorporate a rigid sheathing or an air barrier fixed to the framing, which meets the requirements of NZBC Acceptable Solution E2/AS1, Table 23. Where rigid sheathings are used, the fixing length must be increased by a minimum of the thickness of the sheathing.

Installation information 3.0

3.1 Tools required

The following tools should cover most situations:

- chalk line
- spirit level
- hammer
- battery drill with posi-drive bit
- tin snips
- hack saw
- small circular saw with an aluminium cutting blade
- jigsaw
- mastic gun
- 'No More Nails' or similar
- BRANZ-Appraised sealant.

3.2 Installation sequence

Prior to installation of the window and door joinery:

- building wrap to exterior walls and flexible flashing tape system to window and door joinery openings.
- inner section of internal or external corner flashings.
- vertical board jointer (if wall longer than 6.0 m).
- wall starter between internal or external corner flashings or vertical board jointer.
- inner soffit clip (if being used).
- Ulltraclad® weatherboards up to the bottom of the windows.
- Ulltraclad® jamb flashing.
- Ulltraclad® sill flashing.
- Ulltraclad® weatherboards up to the top of the windows and doors.

Following installation of window and door joinery:

- Ulltraclad® head flashing.
- remaining Ulltraclad® weatherboards.
- outer soffit clip.
- outer section of internal and external corner flashings.

3.3 System installation

This section of the literature should be read in conjunction with the installation details. For each section of wall to be clad, repeat the following steps.

The selected building wrap and flexible sill and jamb tape system must be installed in accordance with the manufacturer's instructions prior to the installation of the Ulltraclad® weatherboards. The building wrap must be installed horizontally and be continuous around corners. Wrap must be lapped 75 mm minimum at horizontal joints and 150 mm minimum over studs at vertical joints. Particular attention must be paid to the installation of the building wrap and sill and jamb tapes around window and door openings to ensure a continuous seal is achieved and all exposed timber wall framing in the opening is protected. All penetrations through the building wrap must be sealed and joints sealed or lapped 150 mm.

To start, use a chalk line to set a reference line 45 mm up from the underside of the bottom plate, making sure the line is level and continuous around the building. This line will be used for the installation of the wall starter which will overhang the underside of the bottom plate by 45 mm.

If there is more than one starting level on the building, work from the lowest point up to the next level and try to get the joint in the boards to coincide with the higher starter. Some adjustment of the starter positions may be required to achieve this.

Measure the height from the underside of the bottom plate to the underside of the soffit. Cut the inner section of the internal or external corner flashing (depending on building layout) and fix to the structure with 30 x 2.5 mm hot-dipped galvanised clouts. If the wall to be clad is longer than 6.0 m, cut a vertical board jointer to the height of the wall plus 50 mm and fix to the wall framing at the selected location with 30 x 2.5 mm hot-dipped galvanised clouts, ensuring the jointer is plumb.

If the wall has a door opening in it, cut a section of jamb flashing to the height of the joinery unit and fix to the wall with 30 x 2.5 mm hot-dipped galvanised clouts.

Measure between the flashings and cut the wall starter 40 mm less than this measurement. Fix the starter to the bottom plate using the reference line as the set-out point for the top of the starter. Leave a 20 mm gap between the wall starter and the flashing at each end. This gap is important as it acts as a drain point for any moisture that may enter the wall.

At the top of the wall, fix the inner soffit clip to the wall framing with 30 x 2.5 mm hot-dipped galvanised clouts.

Measure between the flashings and cut the first weatherboard to this dimension less 8 mm. Fit the weatherboard over the wall starter so it securely clips in place. Leave a 4 mm gap at each end and secure the top of the weatherboard to each stud with locator clips fixed with 30 x 3.3 mm stainless steel screws (Ulltraclad® screws). At the centre of the board (approximately), put a bead of 'No More Nails' adhesive on the bottom of the locator clip before fitting it to the board. This acts as a hold for expansion. Carry on installing the weatherboards up to the underside of a window opening, securely locating the bottom of each board over the locator clip and fixing the top of the board to each stud as detailed. If a section of the weatherboard overhangs the window opening, cut away this section of board and fix the weatherboard in place. *Note: Do not install a locator clip at the window opening at this stage.*

Cut a length of sill flashing to the width of the window opening and secure along the back edge with 30 x 2.5 mm hot-dipped galvanised clouts. Measure from the bottom of the sill flashing to the top of the window frame and cut a jamb flashing to that length. Cut out the side of the jamb flashing so it sits over the board and finishes flush with the bottom of the sill flashing. Bend the bottom of the back face of the jamb flashing forward to divert any moisture away from the building paper (see Detail 12). Repeat for both sides of the window. Once the jamb flashing has been installed, the weatherboard locator clip can be installed.

Complete the weatherboard installation up to the top of the window or door opening following instructions previously given.

The aluminium window and door joinery and associated head flashings must be installed in accordance with the joinery manufacturer's instructions. A 7.5 – 10 mm nominal gap must be left between the joinery reveal and the wall framing so a PEF rod and air seal can be installed in accordance with NZBC Acceptable Solution E2/ AS1, Paragraph 9.1.6 after the joinery has been secured in place.

At the top of the window or door, measure and cut a length of head flashing 160 mm longer than the width of the window or door frame. Cut the bottom of the channel in 70 mm from both sides. Fold the channel floor down 90° and trim to 20 mm in length. Install the head flashing with the fold fitting into the jamb flashing channel (see Detail 11).

Cut the next weatherboard to fit inside the head flashing channel. Apply a continuous bead of sealant along the cut edge and fit the board in place. Install the remaining weatherboards to complete the installation.

Once all weatherboards have been installed, cut the outer section of the internal and external corner flashings to allow a 50 mm overhang past the bottom plate, and secure in place. Measure and cut the outer soffit clip to finish tight between the internal and external corner flashings and secure in place.

3.4 Cutting Ulltraclad® Aluminium Weatherboards

When cutting Ulltraclad® Aluminium Weatherboards with a circular saw, apply a strip of masking tape to each side of the cut to prevent the paint surface from being damaged.

Maintenance

4.0

Building owners are responsible for the maintenance of Ulltraclad® Aluminium Cladding. Annual inspections must be made to ensure that all aspects of the cladding system, including flashings remain in a weatherproof condition. Any damaged areas or areas showing signs of deterioration which would allow water ingress, must be repaired immediately. Sealant and the like must be repaired in accordance with the sealant manufacturer's instructions.

Regular cleaning (at least 6 monthly) of the powder coating with water and a mild detergent is required to remove grime, dirt and organic growth, to maximise the life and appearance of the cladding. When cleaning powder coated surfaces, proceed as follows:

1. Carefully remove any loose deposits with a wet sponge.
2. Use a soft, non-abrasive brush and a mild detergent solution to remove dirt, salt and other deposits.
3. Rinse off with clean water.

5.0 Health and safety

Hearing and eye protection must be worn while cutting Ulltraclad® Aluminium Weatherboard, and accessories.



ULTRACLAD

ALUMINIUM EXTERIOR CLADDING SYSTEM

Technical Manual





ULLTRACLAD

ALUMINIUM EXTERIOR CLADDING SYSTEM

C o n t e n t s

Weatherboard Profiles

Flashing Profiles

Cross Sections

External Corner

Internal Corner

Vertical Wall Jointer

Soffit Details

Wall Starter

Wall Starter Timber Floor

Window Head

Window Jamb

Window Sill

Head / Jamb Isometric

Sill / Jamb Isometric

Meter Box Head and Sill Detail

Pipe Penetration

Roof / Wall Junction

Gutter Wall Junction - Isometric

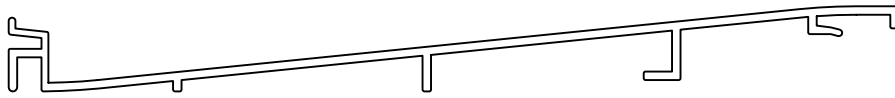
Parapet Deck Junctions

Contact Us - Information

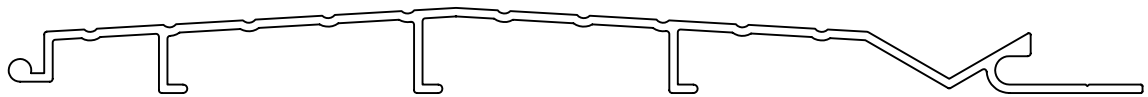
WEATHERBOARD PROFILES



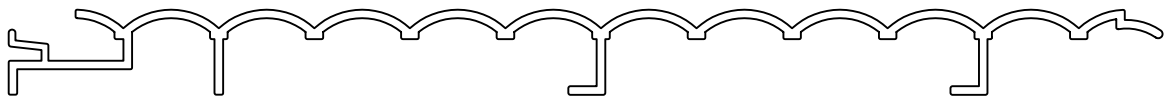
150 mm Tee Board - UA4917



150 mm Traditional Weatherboard - UA5059



174 mm Vertical Weatherboard - UA4705



185 mm Full Corogated Weatherboard - UA5104

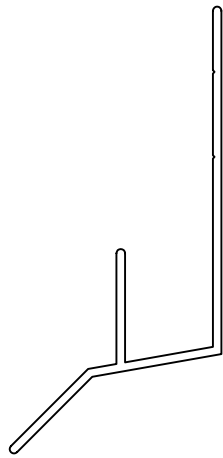


190 mm Ripple Weatherboard - UA4678

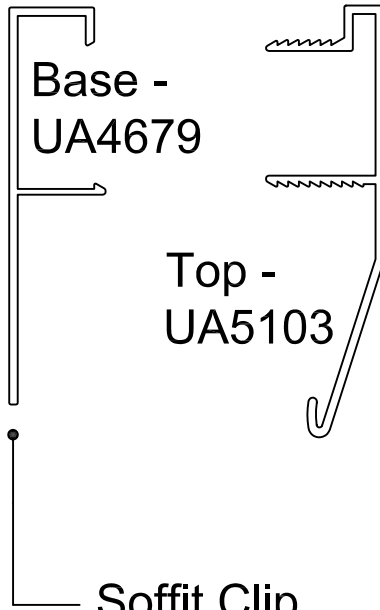


190 mm Standard Weatherboard - UA4528

FLASHING PROFILES



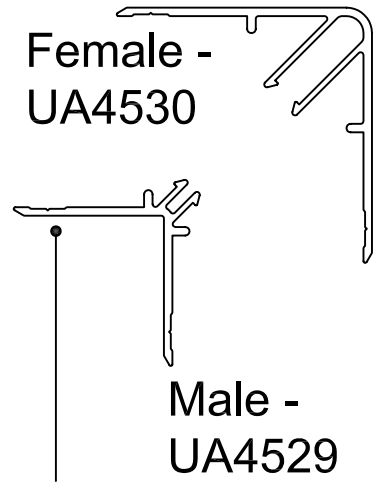
Head Flashing
- UA4533



Base -
UA4679

Top -
UA5103

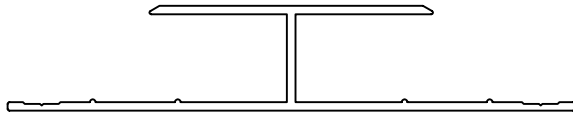
Soffit Clip



Female -
UA4530

Male -
UA4529

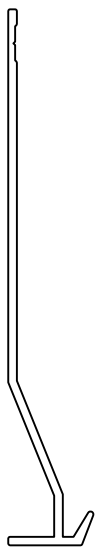
Corner Flashing
External / Internal



Board Joints -
UA4531



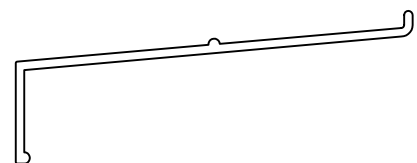
Window Flashing -
UA4532



Starter Strip
- UA4682

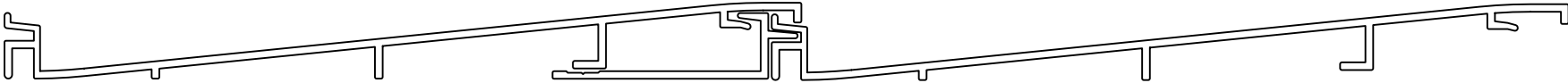


Locator Clip
- UA4535

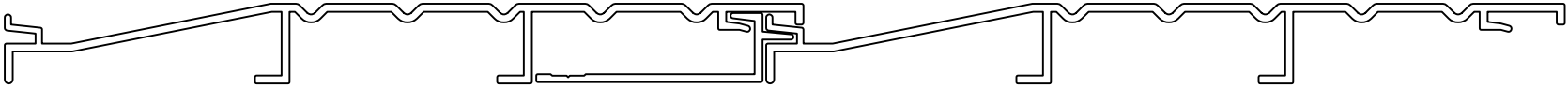


Sill Flashing
- UA4583

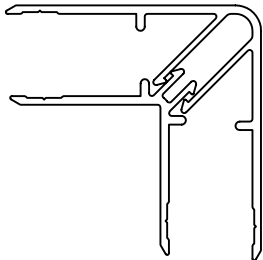
CROSS SECTIONS



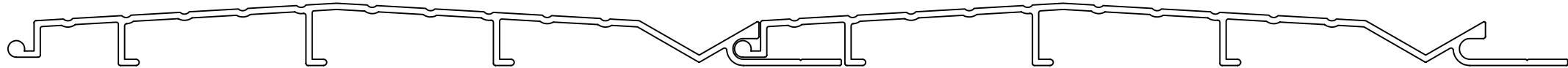
150 mm Traditional Weatherboard



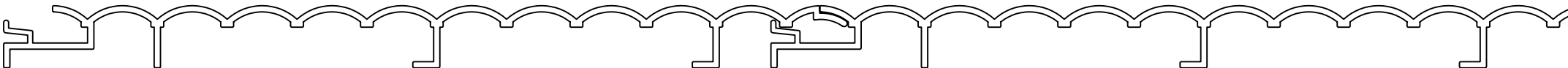
150 mm Tee Board



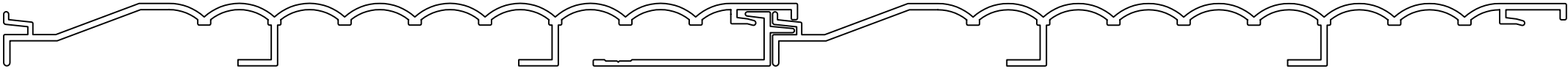
Corner Flashing
Internal / External



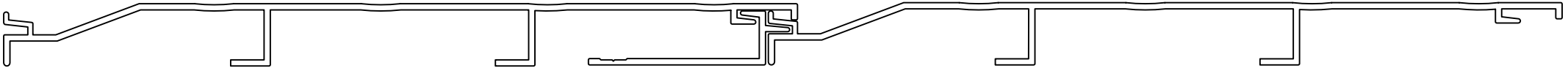
174 mm Vertical Weatherboard



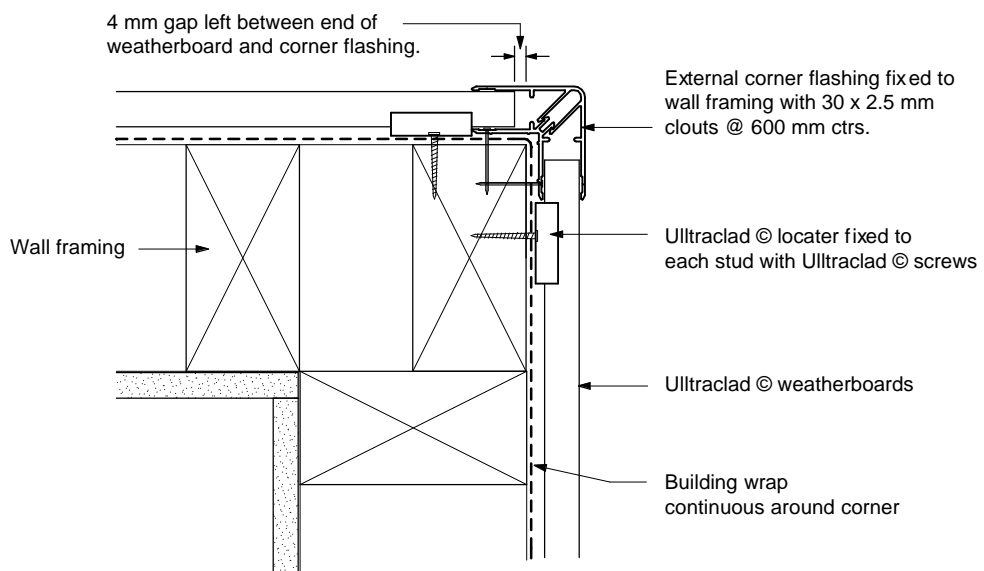
185 mm Full Corogated Weatherboard



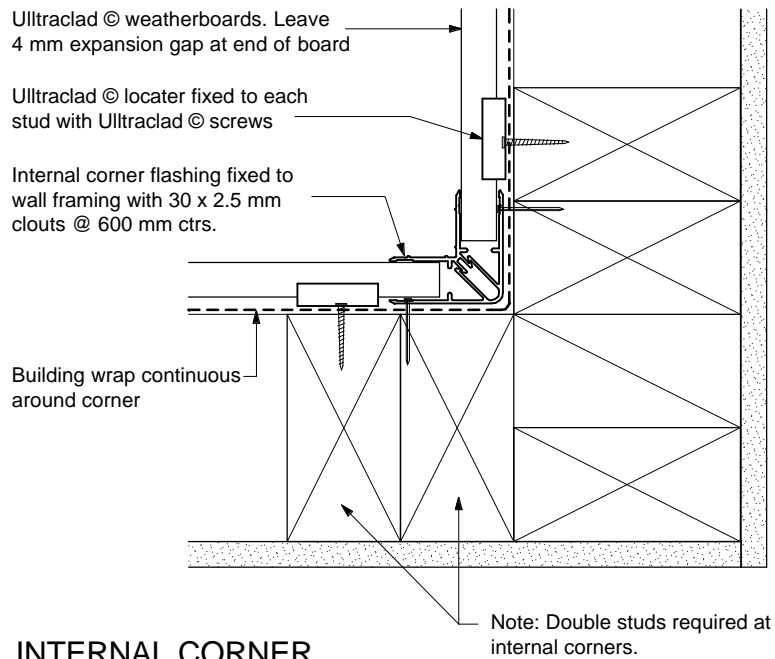
190 mm Ripple Weatherboard



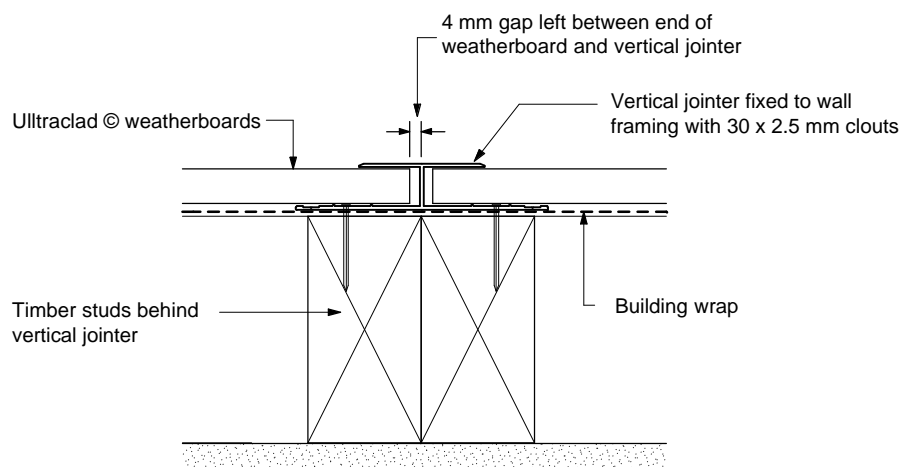
190 mm Standard Weatherboard



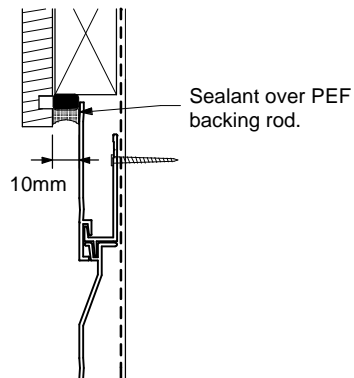
EXTERNAL CORNER



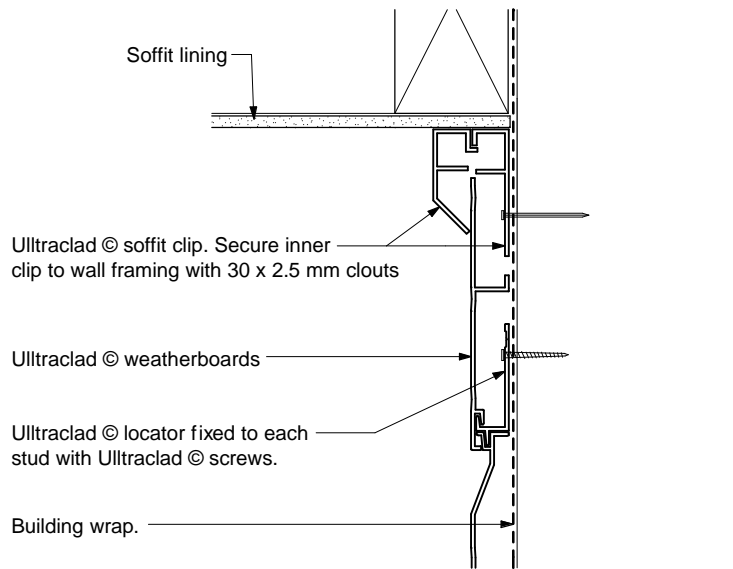
INTERNAL CORNER



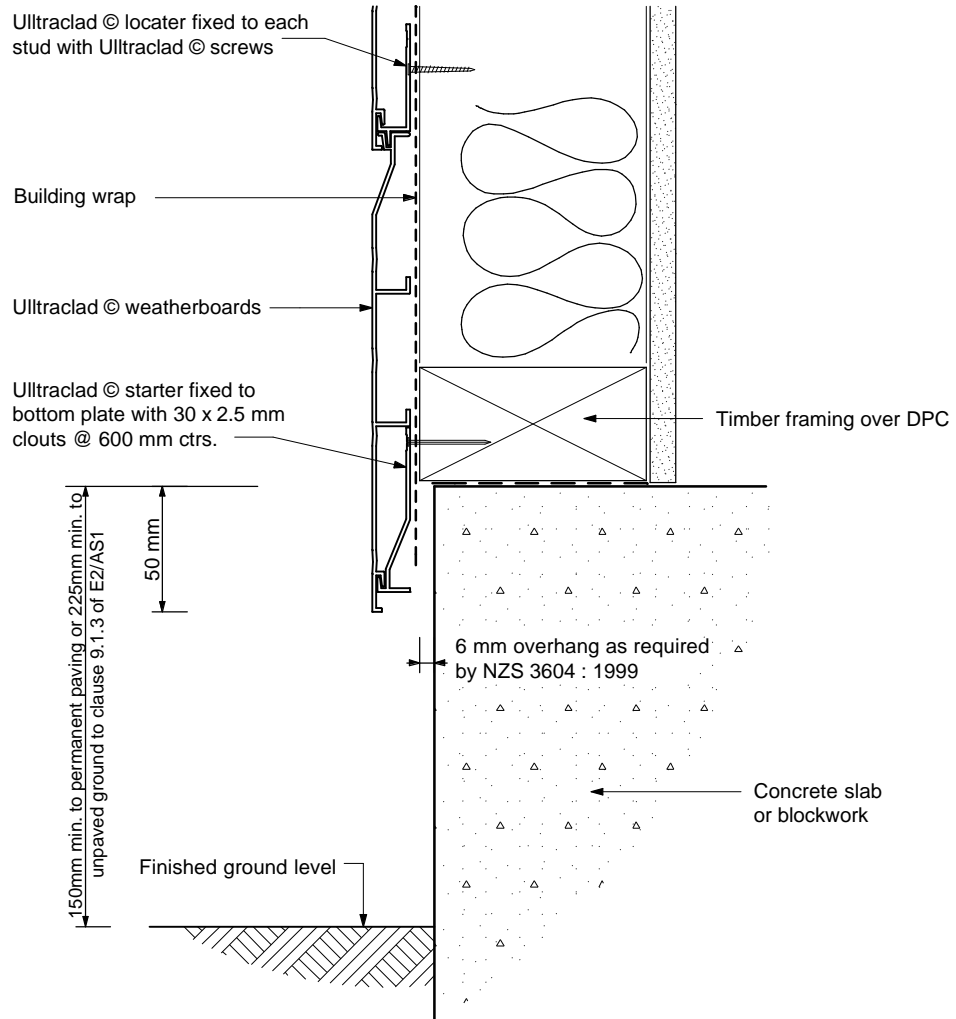
VERTICAL WALL JOINTER



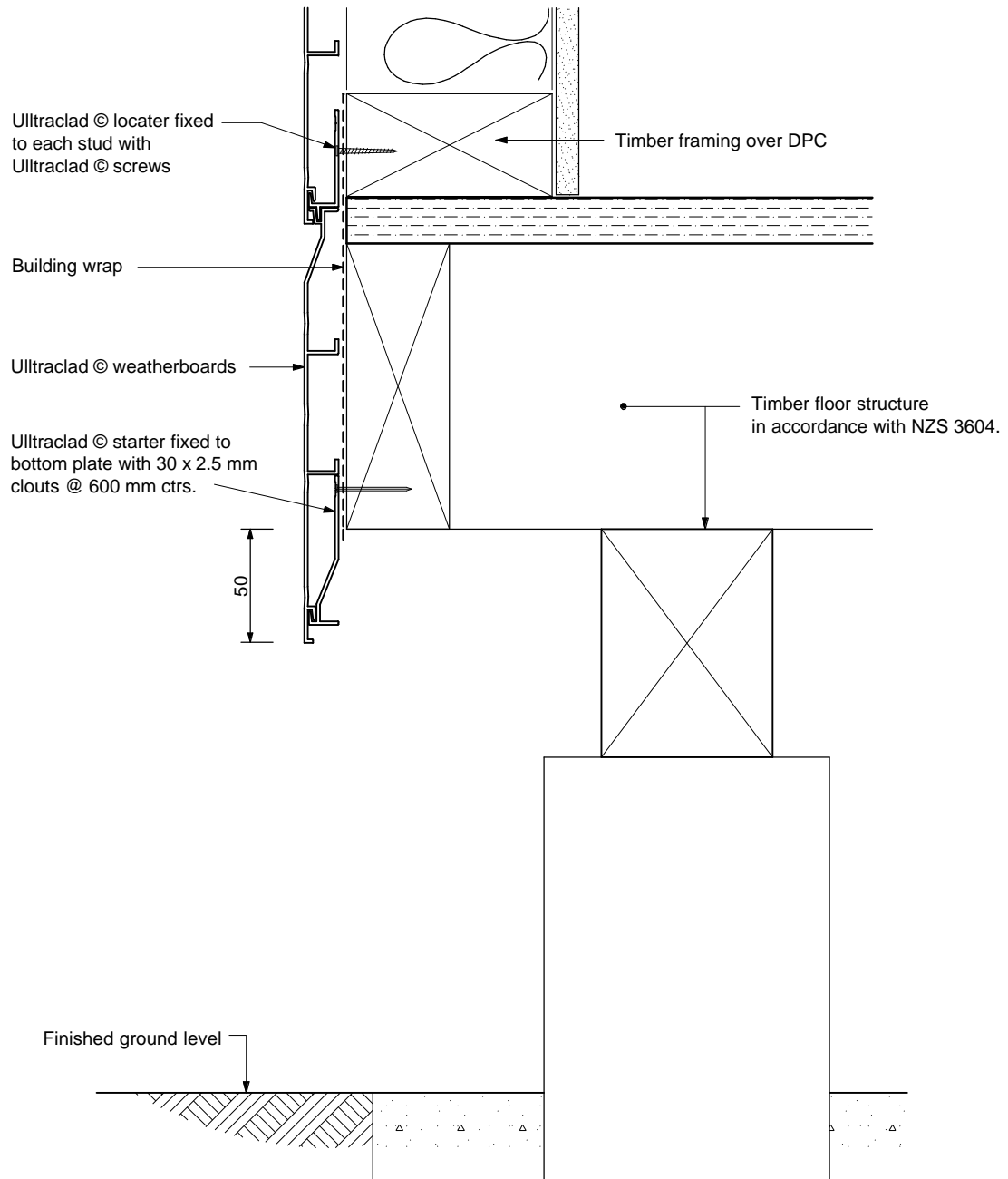
SOFFIT DETAIL WITHOUT EAVES



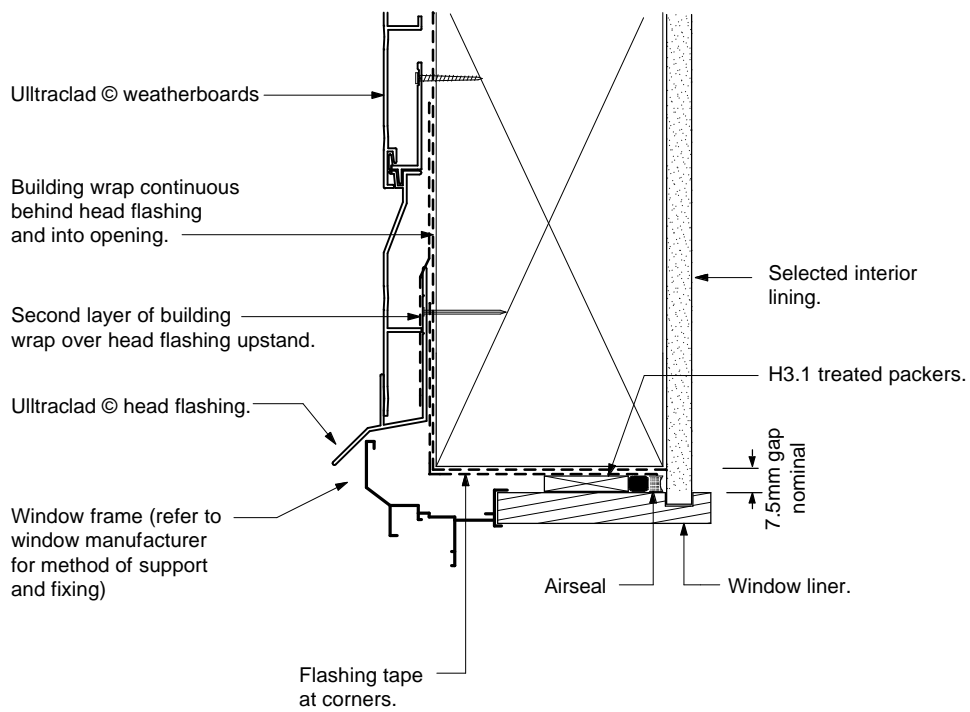
SOFFIT DETAIL



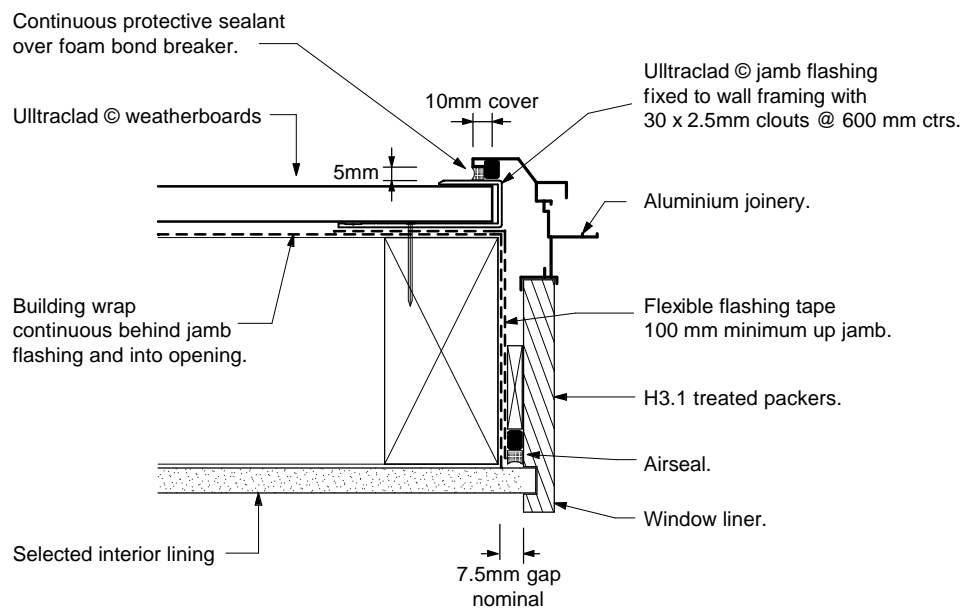
WALL STARTER



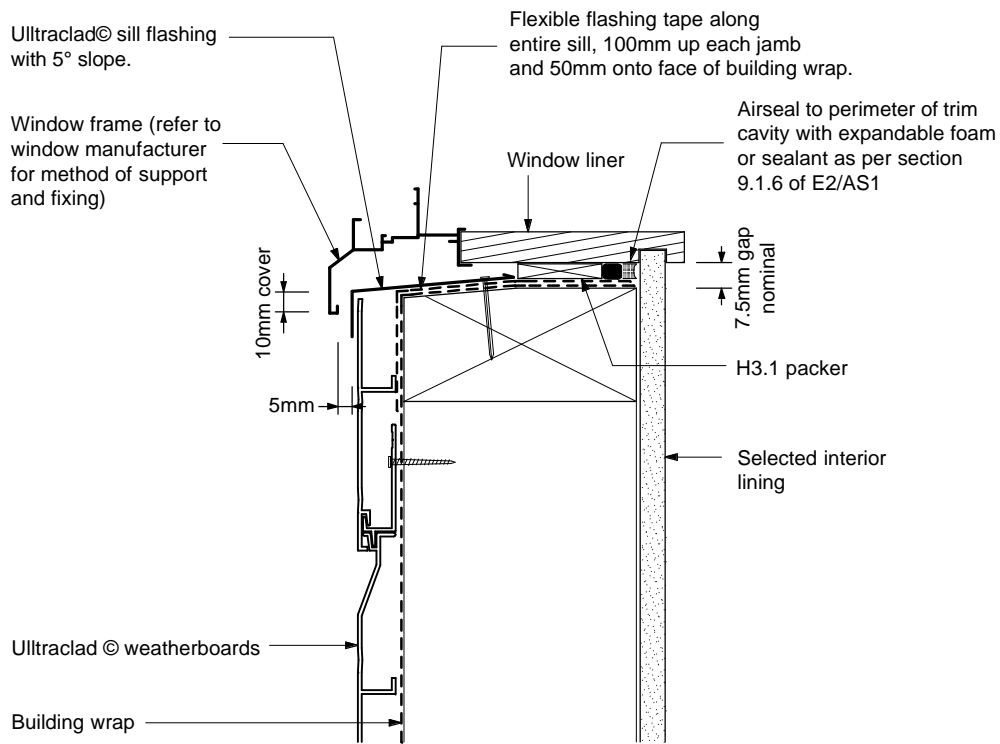
WALL STARTER TIMBER FLOOR



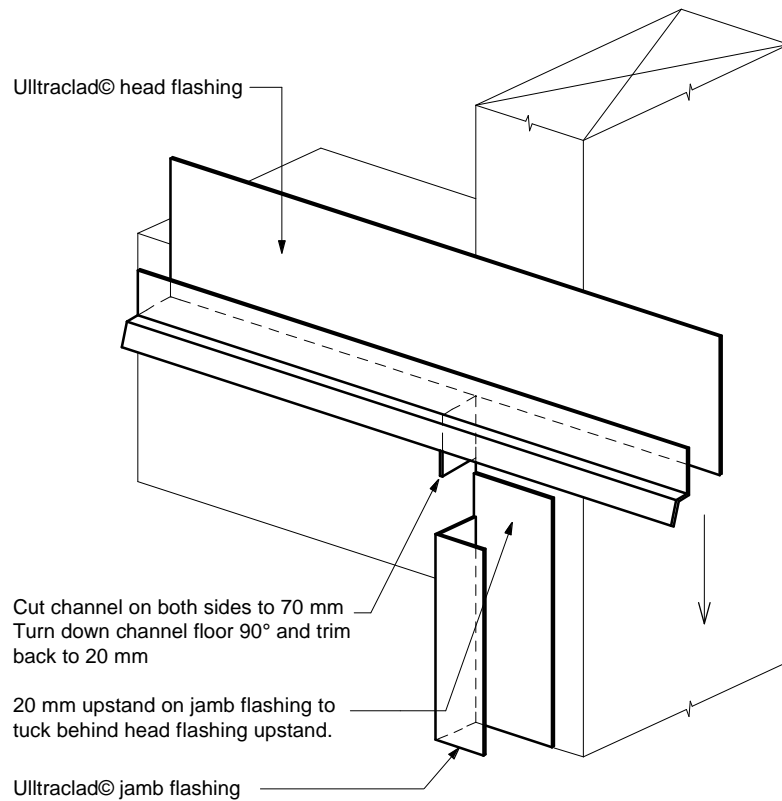
WINDOW HEAD



WINDOW JAMB

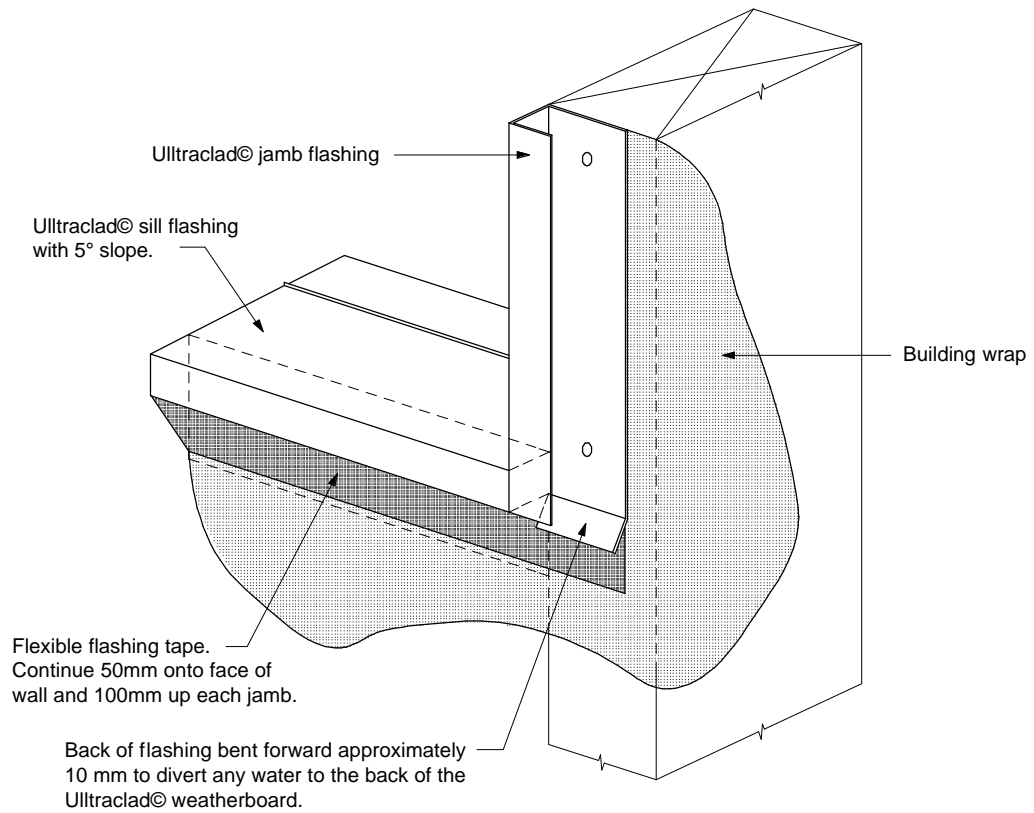


WINDOW SILL

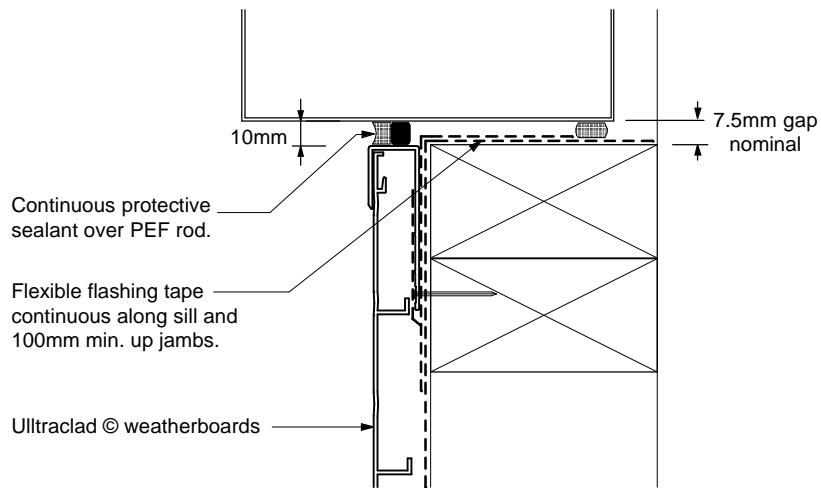
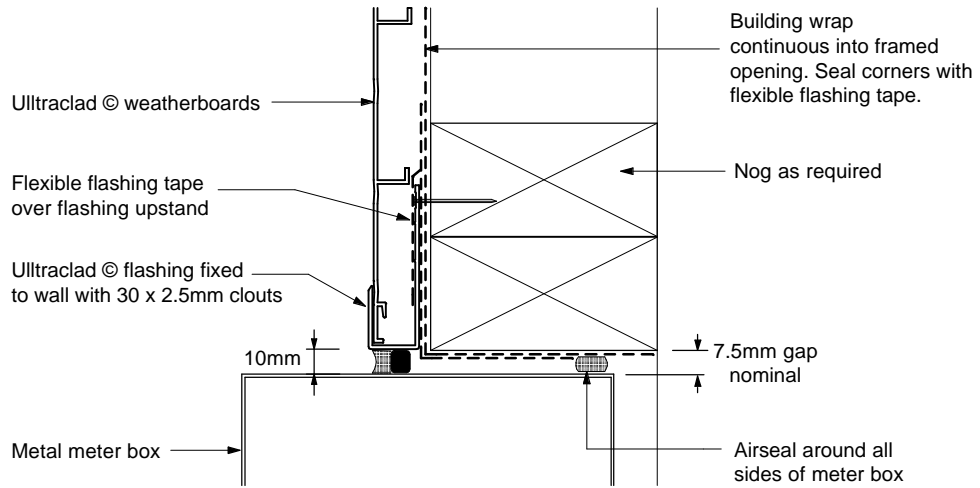


HEAD / JAMB ISOMETRIC

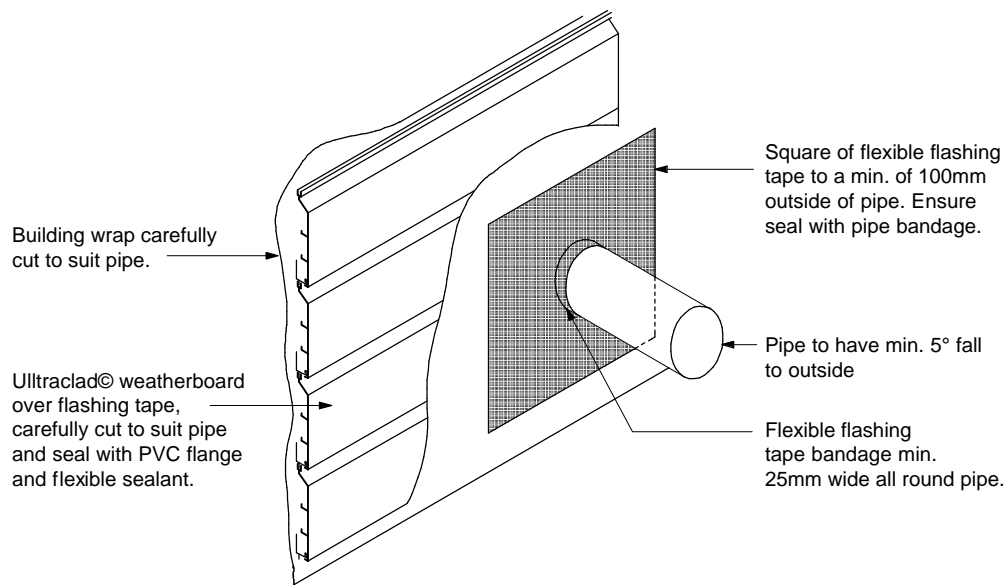
Note: Head flashing to extend 80 mm past edge of window or door joinery.
 Building wrap and flashing tape omitted for clarity.



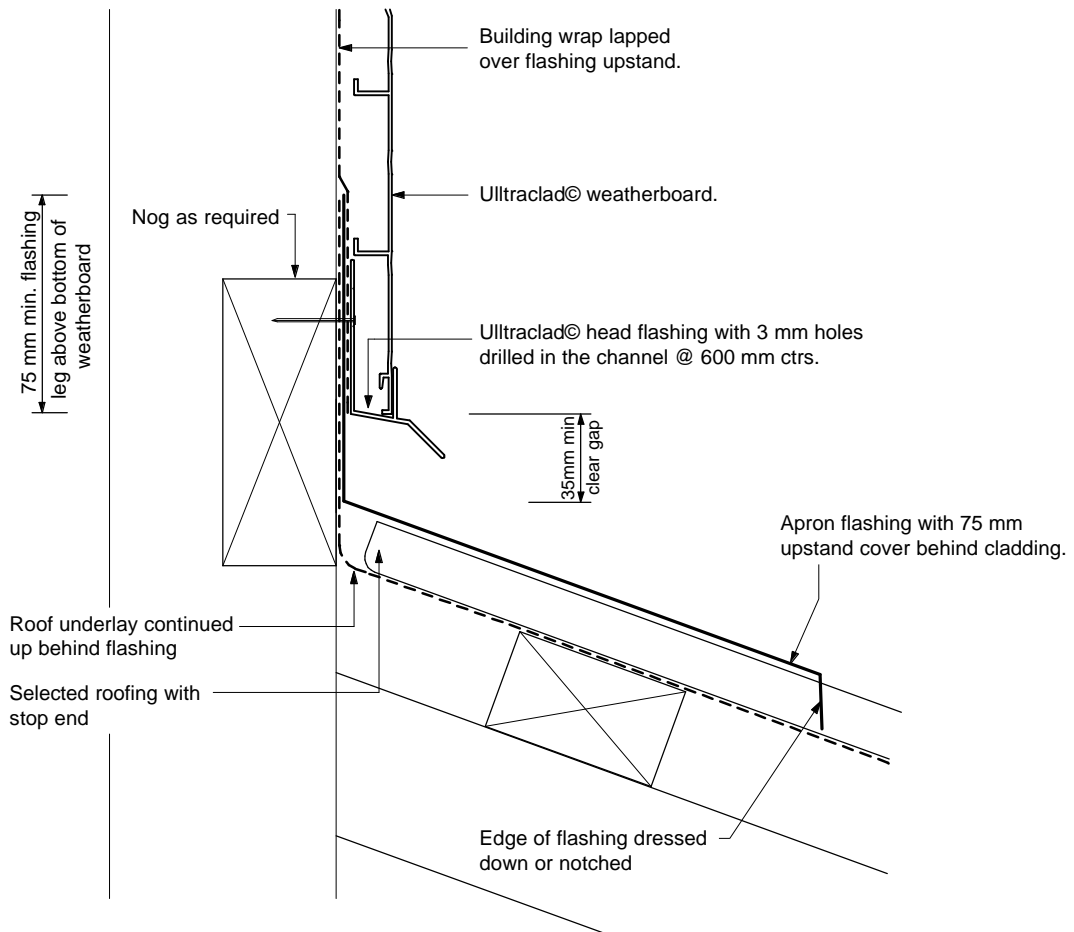
SILL / JAMB ISOMETRIC



METER BOX HEAD AND SILL DETAIL



PIPE PENETRATION

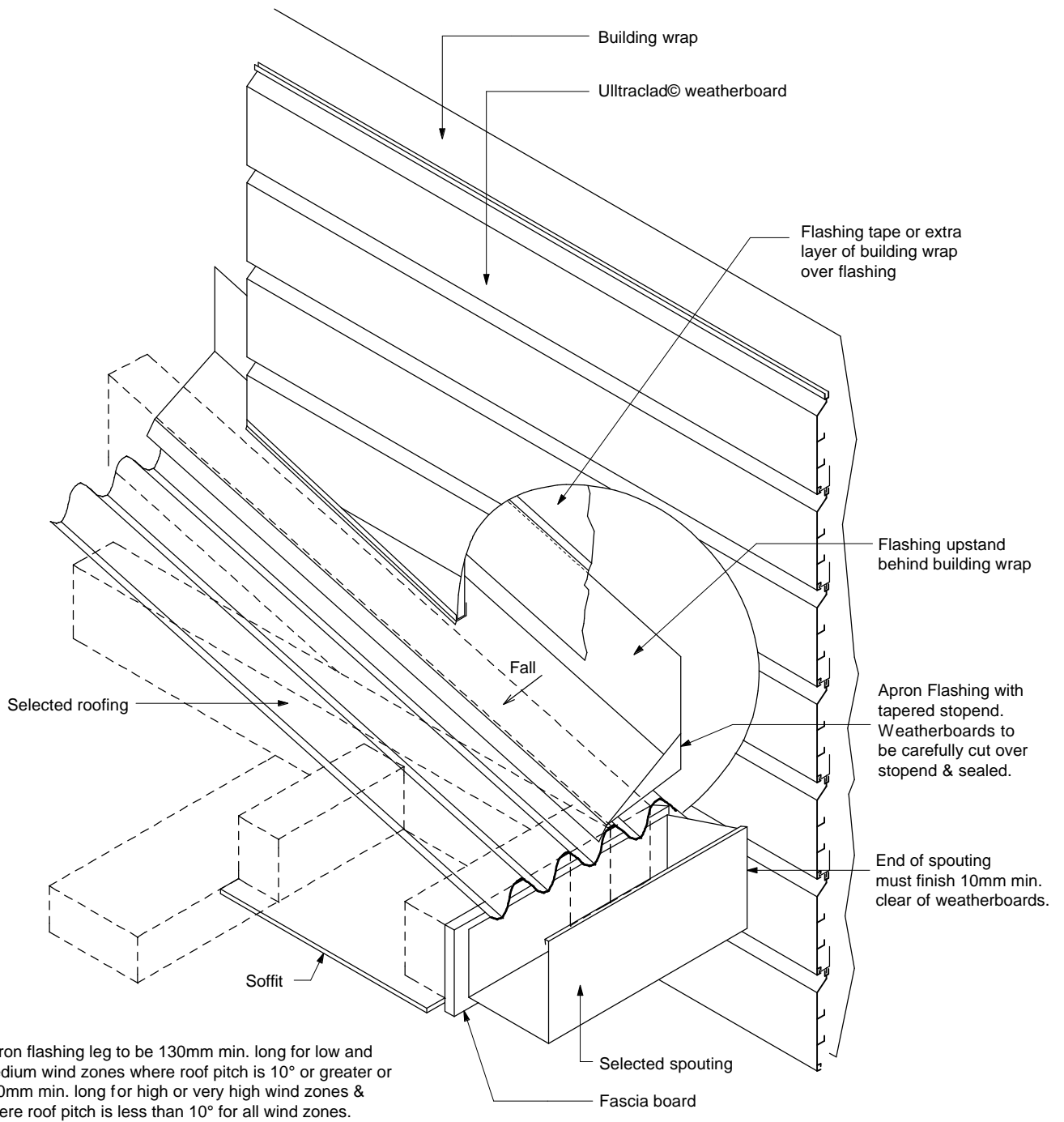


NOTE

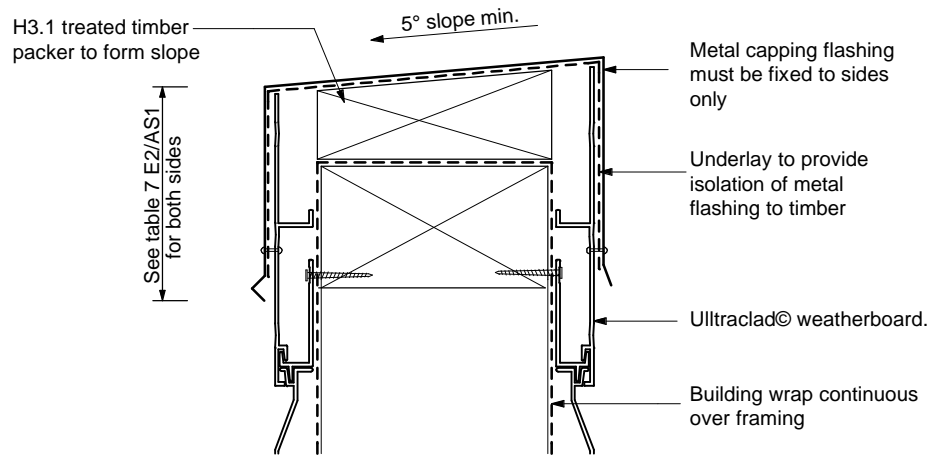
Apron flashing leg to be 130mm min. long for low or medium wind zones where roof pitch is 10° or greater or 200mm min. long for high or very high wind zones and where roof pitch is less than 10° for all wind zones.

ROOF / WALL JUNCTION

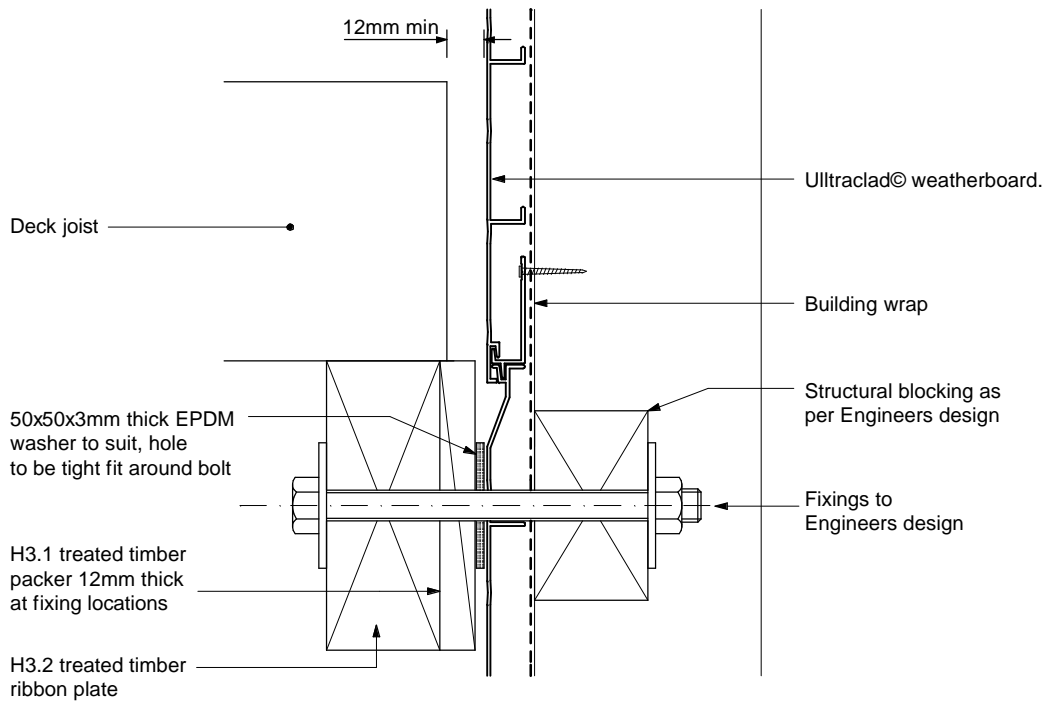
Ulltraclad® Aluminium Cladding
 Ullrich Aluminium Co. Ltd.
 Detail No. 15
 Date 20 July 2005



GUTTER / WALL JUNCTION



PARAPET FLASHING



DECK JUNCTION



ULLTRACLAD

ALUMINIUM EXTERIOR CLADDING SYSTEM

ULLTRACLAD

A DIVISION OF ULLRICH ALUMINIUM

ULLTRACLAD DIVISION
Wayne Saunders
M a n a g e r

t (07) 3345 4659

f (07) 3345 7537

m 0448 922 691

e ulltraclad@ullrich.com.au

www.ullrich.com.au

PO Box 132
Coopers Plains QLD 4110

1/163 Ingran Rd.
Acacia Rodge QLD 4108



CLADDING PROFILES

**140mm
Tee Board**



**150mm
Traditional
Weatherboard**



**174mm
Vertical
Weatherboard**



**185mm
Full Corogated
Weatherboard**



**190mm
Standard
Weatherboard**



**205mm
Shadoline
Weatherboard**

