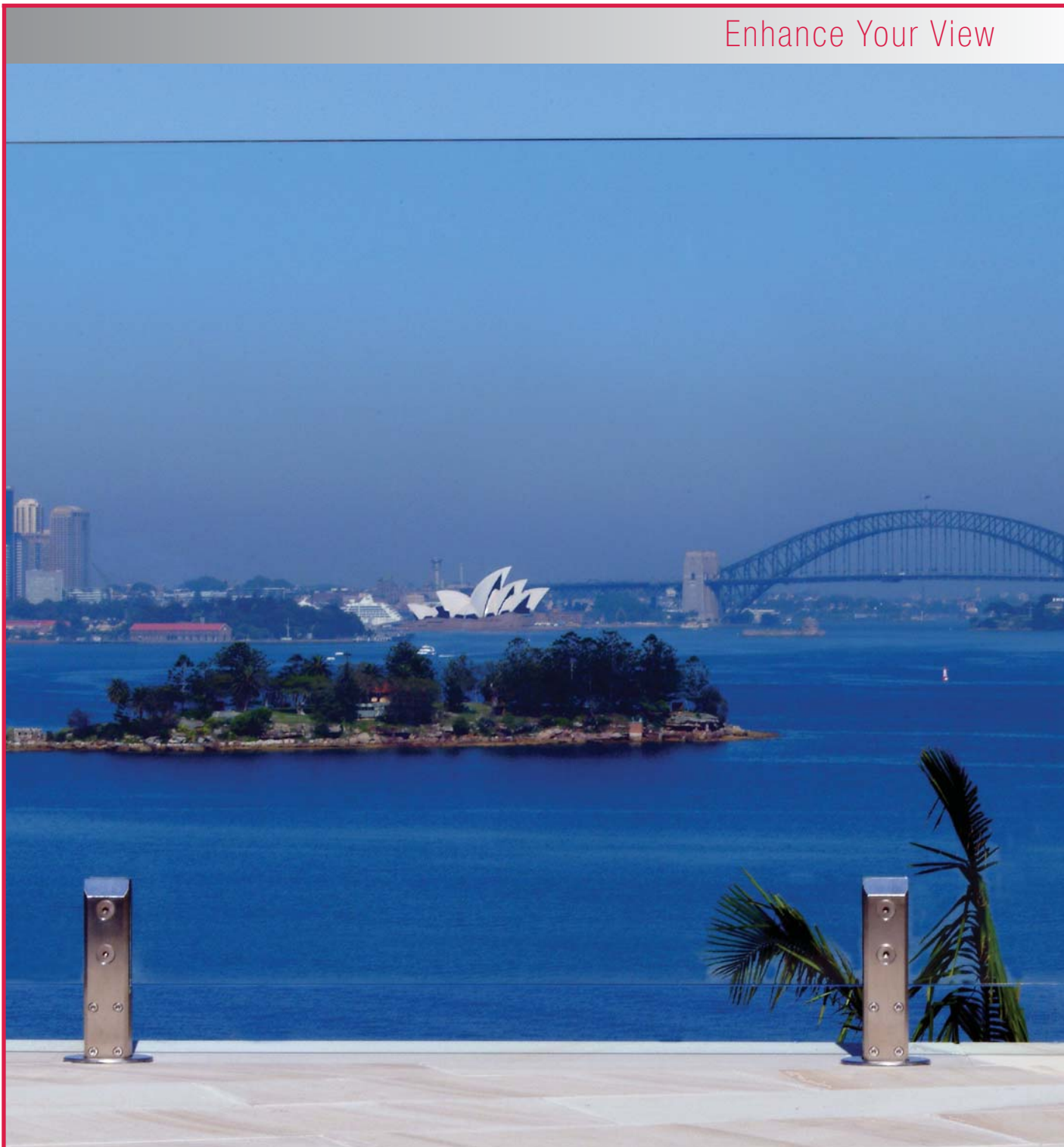


Enhance Your View



Frameless Glass Fence and Balustrade Fittings
Spiggot™
2009

The Products

Häfele now introduces a range of glass panel fittings for frameless glass fencing. This new group of products complements the comprehensive Häfele architectural glass product range, which architects and designers have been specifying throughout the world.

This new range of glass fittings include;

- Duplex 2205 grade stainless steel clamps
- Glass to glass pivots
- Wall to glass pivots
- Patch locks for gates
- Patch fittings
- Floor springs and sealing compound
- Extended spindles for floor springs



The Features

Duplex 2205 grade stainless steel, the new alternative to 316 stainless steel, is ideal for waterfront constructions and pool areas.

Duplex 2205 grade performs better than 316 stainless and offers the following benefits;

Corrosion Resistance

Having a superior corrosion resistance to 316, Duplex 2205 performs well in most environments where standard austenitic stainless steel may fail. 2205's low carbon content results in a high resistance to intergranular corrosion, and higher resistance to uniform pitting, crevice corrosion and tea staining.

Stress Corrosion Resistance

As 2205 is a duplex stainless steel, the grade is less sensitive than austenitic stainless steel to corrosion cracking in warm chlorine environments. A good resistance has been shown when exposed to hydrogen sulphide in chlorine solutions.

The Facts

"For very aggressive applications (eg. splashed by sea water), unwashed areas, rough surfaces or those applications where no staining can be tolerated, higher grades of stainless steel such as Duplex 2205 are preferred" *The Australian Stainless Steel Association.*

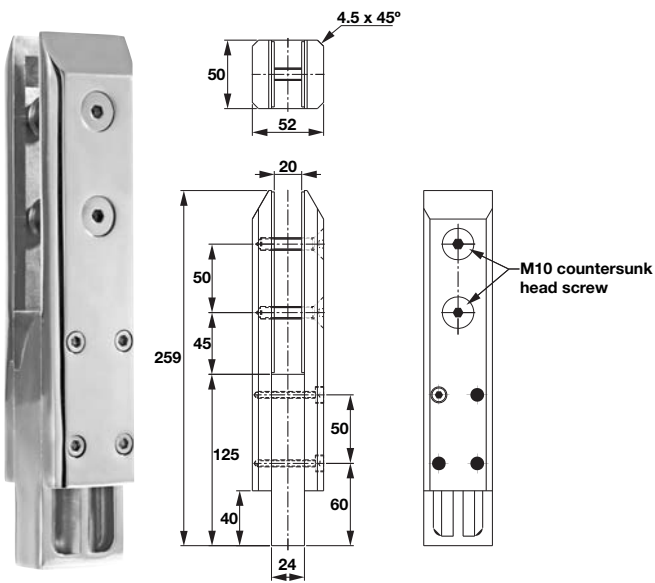
Contents

Page

Stainless Steel Clamps	1 - 3
Fittings for Gates	4 - 6
Patch Fittings for Gates	7
Floor Springs for Gates	8
Floor Spring Accessories	9

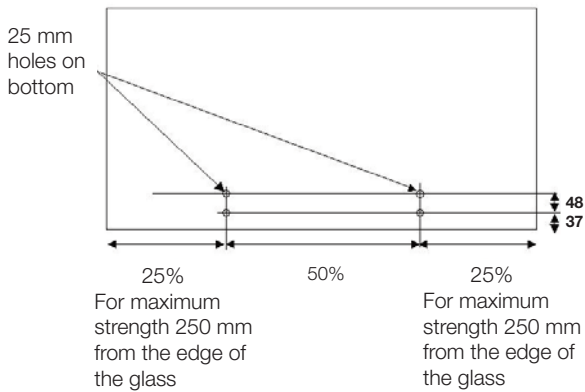
Stainless steel clamp

Square



- Area of application: Frameless glass pool fencing
- Material: Duplex 2205 grade stainless steel
- For glass thickness: 10 mm, 12 mm and 15 mm
- Installation: Clamp fixing with hexagon bolt

Glass cut-out



Finish	Cat. No.
Satin	981.45.020
Polished	981.45.021

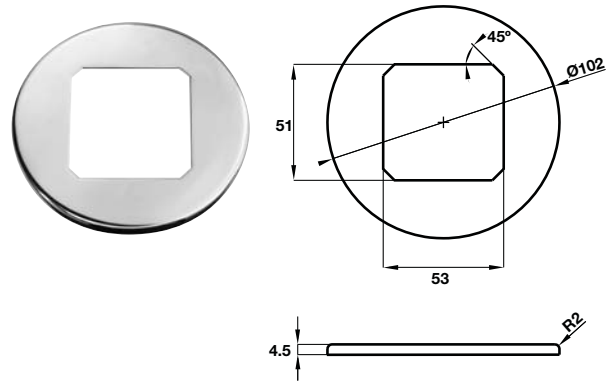
Packing: 1 piece

Note

Order base cover separately

Base cover

Square



- Area of application: Cover for clamp base
- Material: Duplex 2205 grade stainless steel

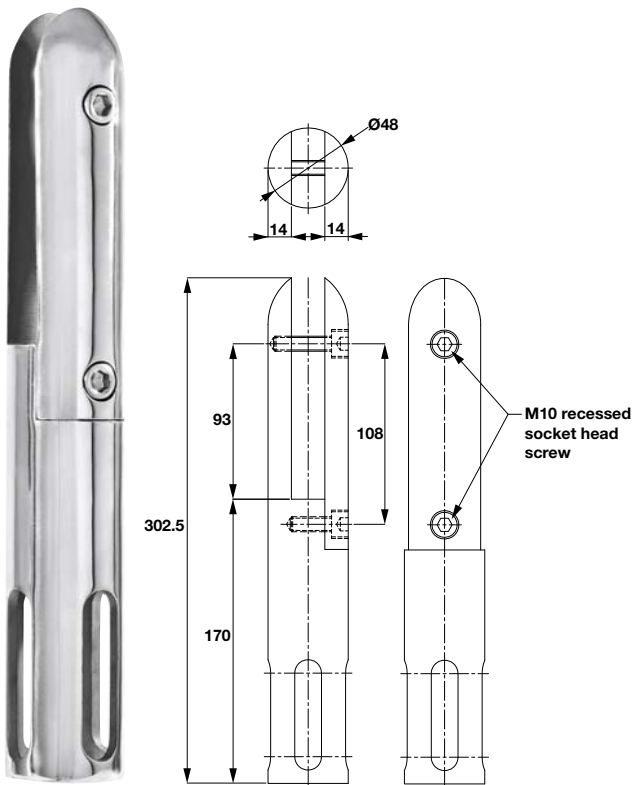
Finish	Cat. No.
Satin	981.45.030
Polished	981.45.031

Packing: 1 piece

Dimensions in mm Dimensional data not binding. We reserve the right to alter specifications without notice.

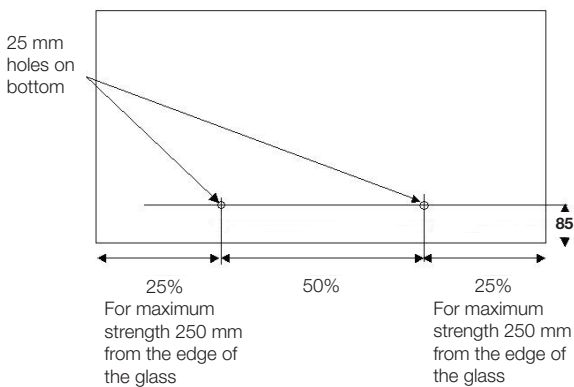
Stainless steel clamp

Round



- Area of application: Frameless glass pool fencing
- Material: Duplex 2205 grade stainless steel
- For glass thickness: 10 mm, 12 mm and 15 mm
- Installation: Clamp fixing with hexagon bolt

Glass cut-out



Finish	Cat. No.
Satin	981.45.000
Polished	981.45.001

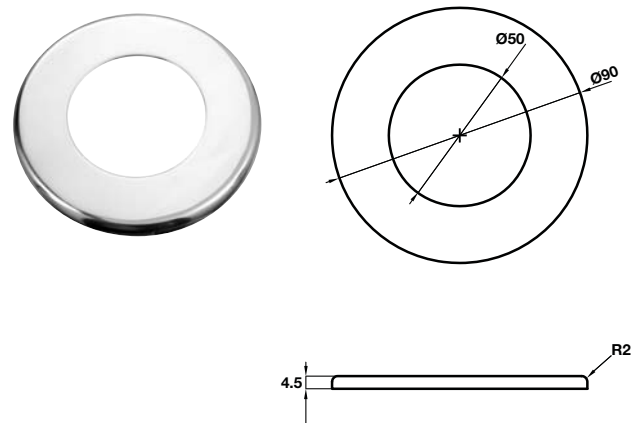
Packing: 1 piece

Note

Order base cover separately

Base cover

Round



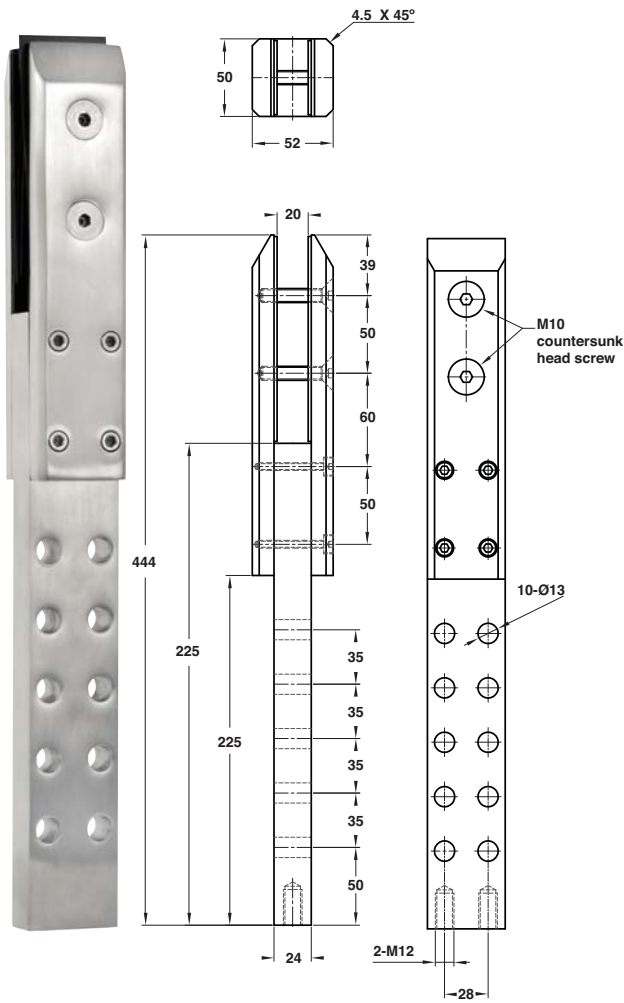
- Area of application: Cover for clamp base
- Material: Duplex 2205 grade stainless steel

Finish	Cat. No.
Satin	981.45.010
Polished	981.45.011

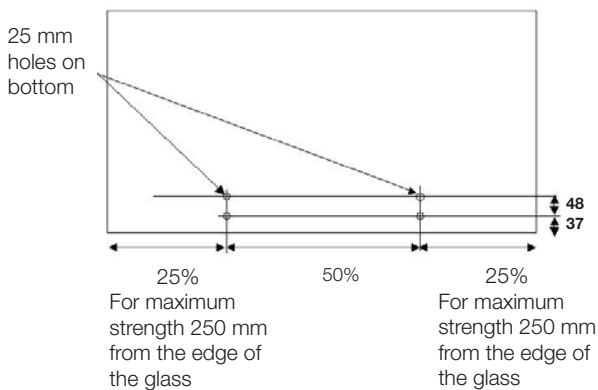
Packing: 1 piece

Stainless steel clamp

Square, extended



- Area of application: Fixing frameless glass fencing to timber decks
- Material: Duplex 2205 grade stainless steel
- For glass thickness: 10 mm, 12 mm and 15 mm
- Installation: Clamp fixing with hexagon bolt

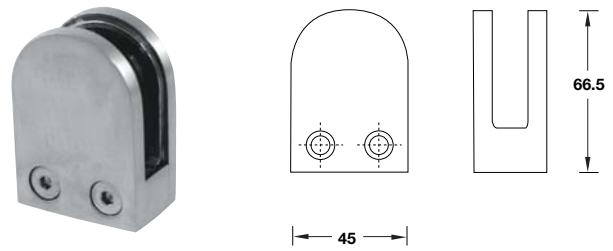


Finish	Cat. No.
Satin	981.45.040
Polished	981.45.041

Packing: 1 piece

Wall to glass clamp

Round



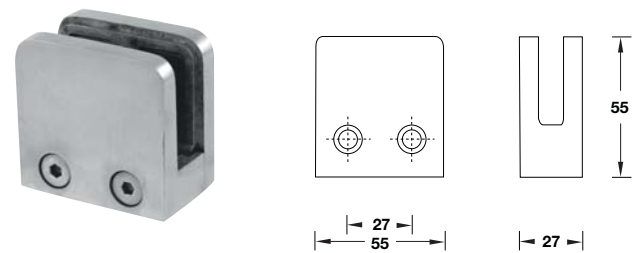
- Area of application: Frameless glass fencing
- Material: 316 grade stainless steel
- For glass thickness: 8 mm, 10 mm and 12 mm

Finish	Cat. No.
Satin	981.45.300
Polished	981.45.301

Packing: 1 piece

Wall to glass clamp

Square



- Area of application: Frameless glass fencing
- Material: 316 grade stainless steel
- For glass thickness: 8 mm, 10 mm and 12 mm

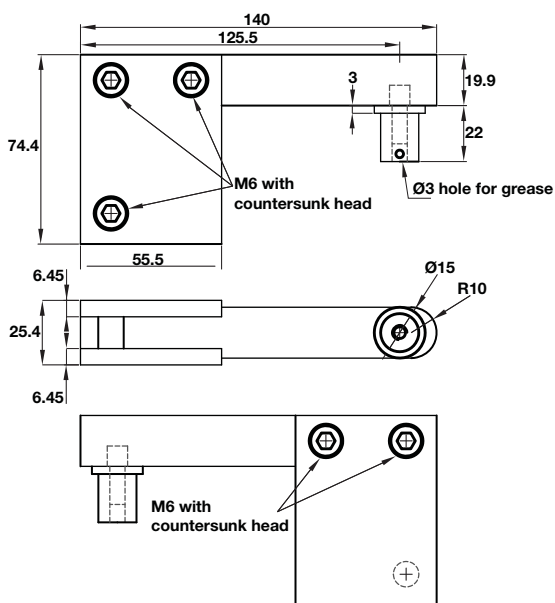
Finish	Cat. No.
Satin	981.45.310
Polished	981.45.311

Packing: 1 piece

Dimensions in mm Dimensional data not binding. We reserve the right to alter specifications without notice.

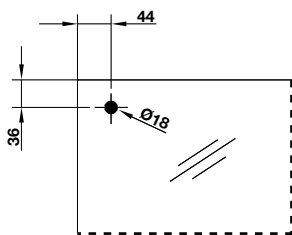
Top pivot

Glass to glass



- Area of application: Pivot for StarTec top patch fitting used on frameless glass pool gates
- Material: 316 grade stainless steel
- For glass thickness: 10 - 12 mm
- Installation: Clamp fixing with hexagon bolt

Glass cut-out

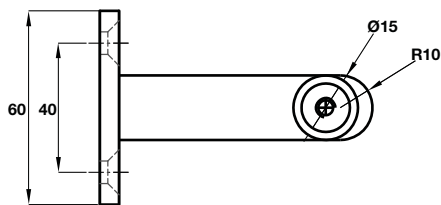
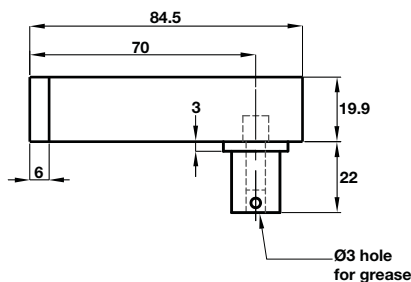


Finish	Cat. No.
Satin	981.45.100
Polished	981.45.101

Packing: 1 piece

Top pivot

Wall to glass



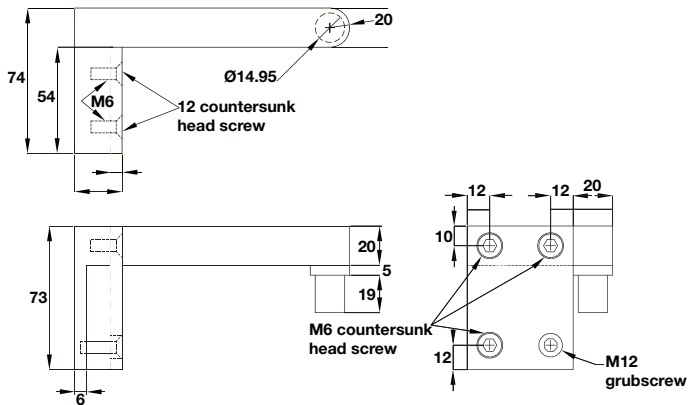
- Area of application: Pivot for Startec top patch fitting used on frameless glass pool gates
- Material: 316 grade stainless steel
- For glass thickness: 10 - 12 mm
- Installation: Bolt fixing to wall

Finish	Cat. No.
Satin	981.45.110
Polished	981.45.111

Packing: 1 piece

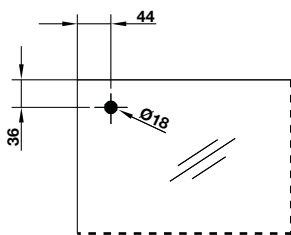
Top pivot

90° Glass to glass



- Area of application: Pivot for Startec top patch fitting used on frameless glass pool gates
- Material: 316 grade stainless steel
- For glass thickness: 10 - 12 mm
- Installation: Clamp fixing with hexagon bolt

Glass cut-out



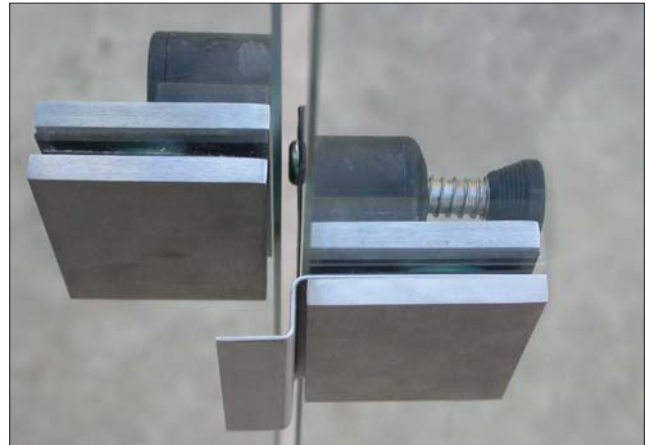
Finish	Handing	Cat. No.
Satin	Left hand	981.45.120
Polished	Left hand	981.45.121
Satin	Right hand	981.45.130
Polished	Right hand	981.45.131

Packing: 1 piece

Note

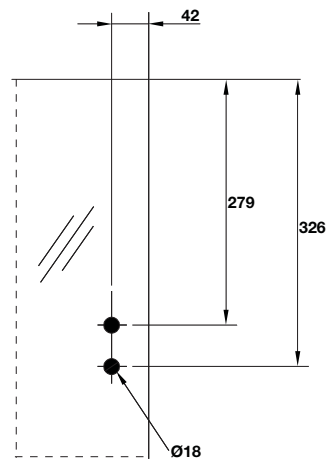
Left hand pivot image shown

Patch lock kit



- Area of application: Magnetic lock for frameless glass gate
- Material: 316 grade stainless steel
- For glass thickness: 10 - 12 mm
- Installation: Clamp fixing with hexagon bolt

Glass cut-out



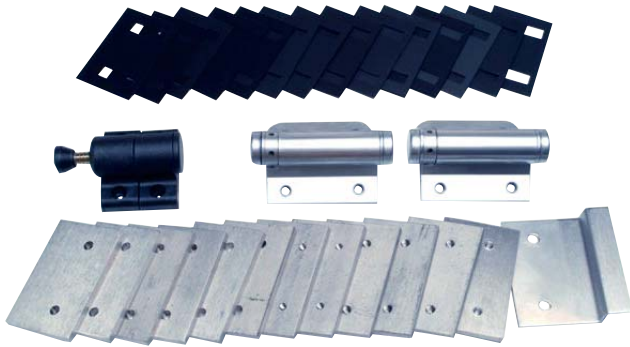
Finish	Cat. No.
Satin	981.45.200
Polished	981.45.201

Packing: 1 set

Dimensions in mm Dimensional data not binding. We reserve the right to alter specifications without notice.

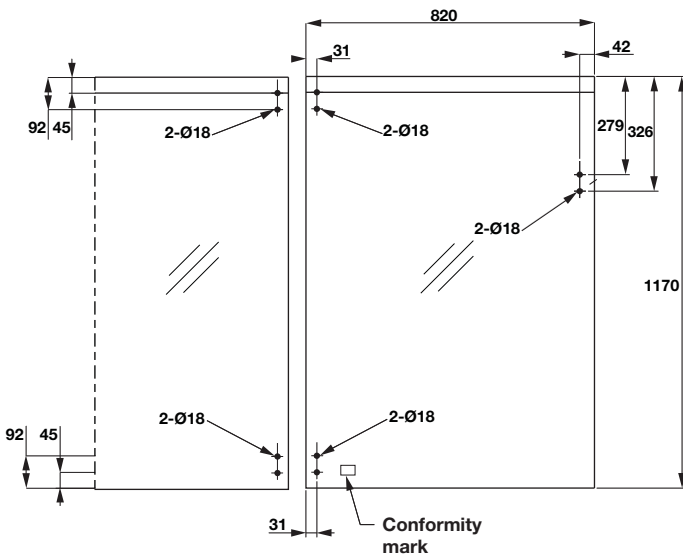
Spring hinge and lock kit

Glass to glass



- Area of application: For fully frameless and semi-frameless gates
- Material: 316 grade stainless steel
- For glass thickness: 10 - 12 mm
- Installation: Bolt through fixing

Glass cut-out



Finish	Cat. No.
Satin	981.45.400
Polished	981.45.401

Packing: 1 set

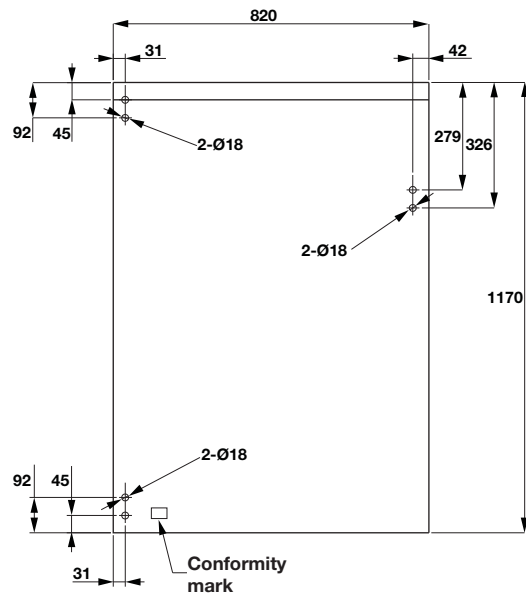
Spring hinge and lock kit

Wall to glass



- Area of application: For fully frameless and semi-frameless gates
- Material: 316 grade stainless steel
- For glass thickness: 10 - 12 mm
- Installation: Bolt through fixing

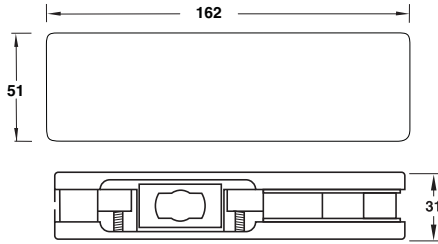
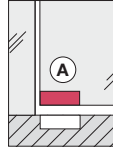
Glass cut-out



Finish	Cat. No.
Satin	981.45.410
Polished	981.45.411

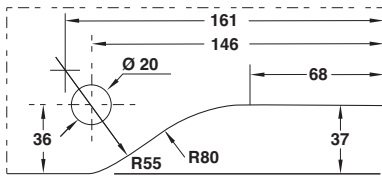
Packing: 1 set

A StarTec **Bottom patch fitting**



- Features: In combination with bottom pivot or floorspring
- Material: Case: Diecast steel
Cover: 316 grade stainless steel
- Glass thickness: 10 - 12 mm
- Max. door weight: 80 kg
- Max. door leaf width: 1100 mm
- Installation: Clamp fixing, concealed, with hexagon socket screws

Glass cut-out



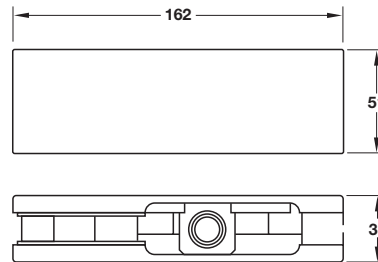
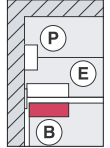
Finish	Cat. No.
Satin	981.00.310
Polished	981.00.311

Packing: 1 piece

Supplied with

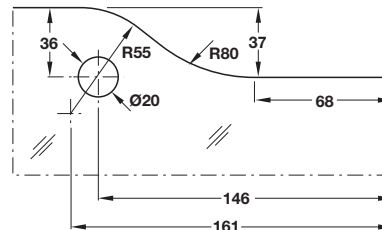
- 1 Bottom patch fitting for double action doors
- 3 Allen keys SW2, 3 and 5
- 1 Glass cut-out detail

B StarTec **Top patch fitting**



- Features: In combination with top pivot
Adjustable pivot point by reversing insert
- Material: Case: Diecast steel
Cover: 316 grade stainless steel
- Glass thickness: 10 - 12 mm
- Max. door weight: 80 kg
- Max. door leaf width: 1100 mm
- Installation: Clamp fixing, concealed, with hexagon socket screws

Glass cut-out



Finish	Cat. No.
Satin	981.00.320
Polished	981.00.321

Packing: 1 piece

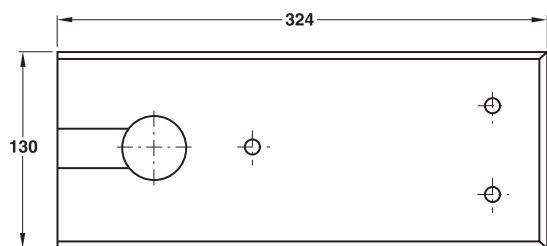
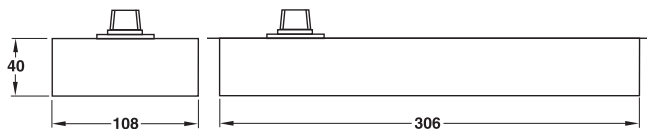
Supplied with

- 1 Top patch fitting for double action doors
- 3 Allen keys SW2, 3 and 5
- 1 Glass cut-out detail

Dimensions in mm Dimensional data not binding. We reserve the right to alter specifications without notice.

DCL 43

EN 2/3/4



- Area of application: For single action doors
- Features: Removable spindle
- Closing force: Size 2/3/4 complying with EN 1154
- Max. door opening angle: Approx. 130°
- Material: Cover plate: 304 grade stainless steel
- Finish: Cover plate: Satin

Closing Force	Max. door leaf width mm	Max. door leaf weight kg
EN 2	850	70
EN 3	950	105
EN 4	1100	150

	Cat. No.
DCL 43 Non Hold-open	
EN2	932.84.037
EN3	932.84.034
EN4	932.84.038

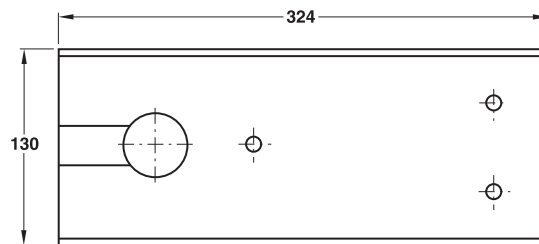
Packing: 1 set

Supplied with

- Floor spring
- Cover plate
- Fixing material
- Installation instructions

Floor spring cover plate

SS 316



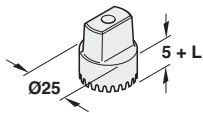
- Material: Stainless steel 316

Finish	Cat. No.
Satin	932.84.920
Polished	932.84.921

Packing: 1 piece

Extended spindle

For DCL 43

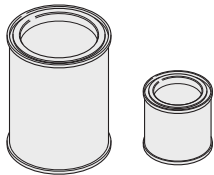


- Area of application: To increase the floor clearance (i.e. for doors with thresholds or pool gates)
- Features: With radial serrations

Length (L) mm	Cat. No.
5	932.84.911
10	932.84.912
15	932.84.913
20	932.84.914
25	932.84.915

Packing: 1 piece

Sealing compound



- Area of application: For filling the cavities of a floor spring. Consisting of parent solution and hardener (2 cans)
- Total contents: 0.76 kg

	Cat. No.
	932.00.310

Packing: 1 set (2 cans)

Dimensions in mm Dimensional data not binding. We reserve the right to alter specifications without notice.

HÄFELE AUSTRALIA PTY. LTD.

STATE OFFICES

Victoria - Head Office - 8 Monterey Road,
(P.O. Box 1066) Dandenong VIC 3175
Telephone: (03) 9212 2000
Fax: (03) 9212 2001
E-mail: info@hafele.com.au

New South Wales

10 Forsyth Close, Wetherill Park NSW 2164
Telephone: (02) 8788 2200
Fax: (02) 8788 2201
E-mail: nsw@hafele.com.au

Queensland

12 Selhurst Street, Coopers Plains QLD 4108
Telephone: (07) 3344 1533
Fax: (07) 3344 1770
E-mail: qld@hafele.com.au

Western Australia/N.T

29-33 Juna Drive, Malaga WA 6090
Telephone: (08) 9249 3833
Fax: (08) 9249 3328
E-mail: wa@hafele.com.au

South Australia

21 Chesser Street, Adelaide SA 5000
Telephone: (08) 8232 9933
Fax: (08) 8232 9977
E-mail: sa@hafele.com.au

Australian Capital Territory

1/88 Newcastle Street, Fyshwick ACT 2609
Telephone: (02) 6283 8400
Fax: (02) 6295 9211
E-mail: act@hafele.com.au

Tasmania

262 York Street, Launceston TAS 7250
Telephone: (03) 6331 7106
Fax: (03) 6334 6414
E-mail: tas@hafele.com.au

**Freecall 1800 806 307 for all
customers in country regions.**

DESIGN CENTRES

Melbourne Design Centre

Lvl 1, 75-77 Flinders Lane, Melbourne VIC 3000
Telephone: (03) 9212 2000
Fax: (03) 9652 3701
E-mail: info@hafele.com.au

Sydney Design Centre

New Premises Open Mid 2009
Telephone: (02) 8788 2200
Fax: (02) 8788 2201
E-mail: nsw@hafele.com.au

Newcastle Design Centre

Unit 1, 47 Bolton Street, Newcastle NSW 2300
Telephone: (02) 8788 2200
Fax: (02) 4921 0901
E-mail: nsw@hafele.com.au

Brisbane Design Centre

1 Breakfast Creek Road, Newstead QLD 4006
Telephone: (07) 3344 1533
Fax: (07) 3253 3701
E-mail: qld@hafele.com.au

Hobart Design Centre

309 Liverpool Street, Hobart TAS 7000
Telephone: (03) 6331 7106
Fax: (03) 6334 6414
E-mail: tas@hafele.com.au

HÄFELE NEW ZEALAND LTD.

STATE OFFICES

Auckland - Head Office

16 Accent Drive,
East Tamaki, Auckland
Telephone: (09) 274 2040
Fax: (09) 274 2041
E-mail: info@hafele.co.nz

Lower North Island Office

The Wool Store, Level 1
262 Thorndon Quay, Wellington
Telephone: (04) 472 0294
Fax: (04) 472 0295
E-mail: wellington@hafele.co.nz

South Island Office

5 Wigram Close
Sockburn, Christchurch
Telephone: (03) 343 8200
Fax: (03) 343 8201
E-mail: christchurch@hafele.co.nz

DESIGN CENTRE

Auckland Design Centre

62 Cook Street
Auckland City, Auckland
Telephone: (09) 274 2530
Fax: (09) 274 2531
E-mail: architectural@hafele.co.nz

Freephone 0800 4 HAFELE

HÄFELE

www.hafele.com

This catalogue is for the use of the recipient only. It remains in all respects the property of Häfele. Reproduction of this brochure in whole or in part, or the reproduction of the illustrations as well as the copying of the layout, is strictly prohibited. All measurements given in this publication are not binding. Rights for design improvements reserved. No responsibility for typographical or other errors occurring in the catalogue production. All deliveries made corresponding to Häfele sales conditions. Häfele reserves the right to adjust prices as may be deemed necessary.

2009. Copyright by Häfele. All rights reserved. Printed in Australia.

01.2009 _ 732.SB.CAT