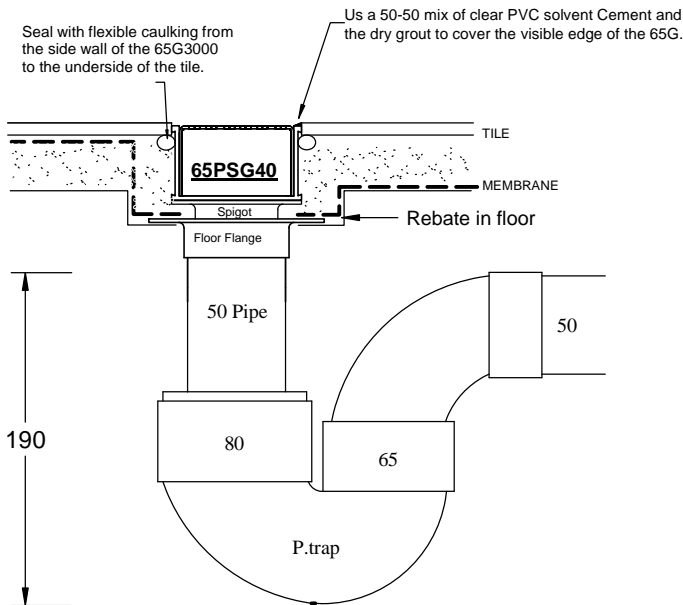
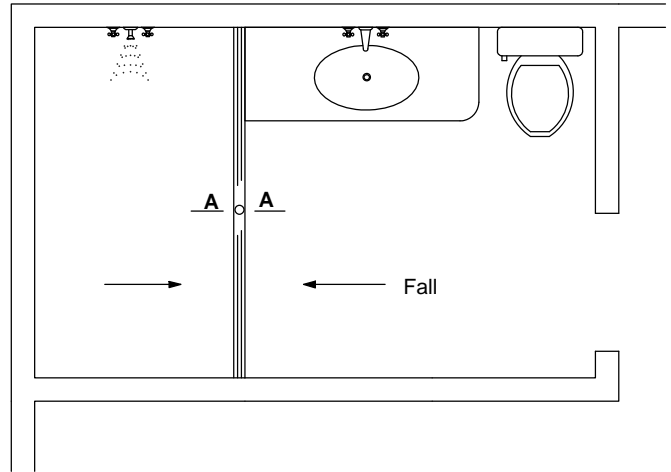
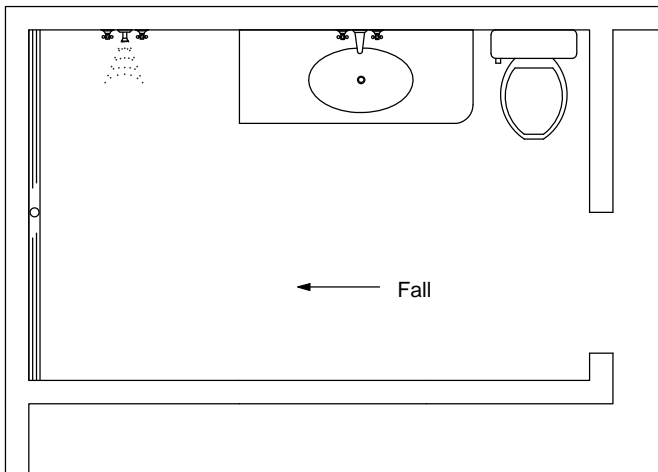


BATHROOM 65PSG40

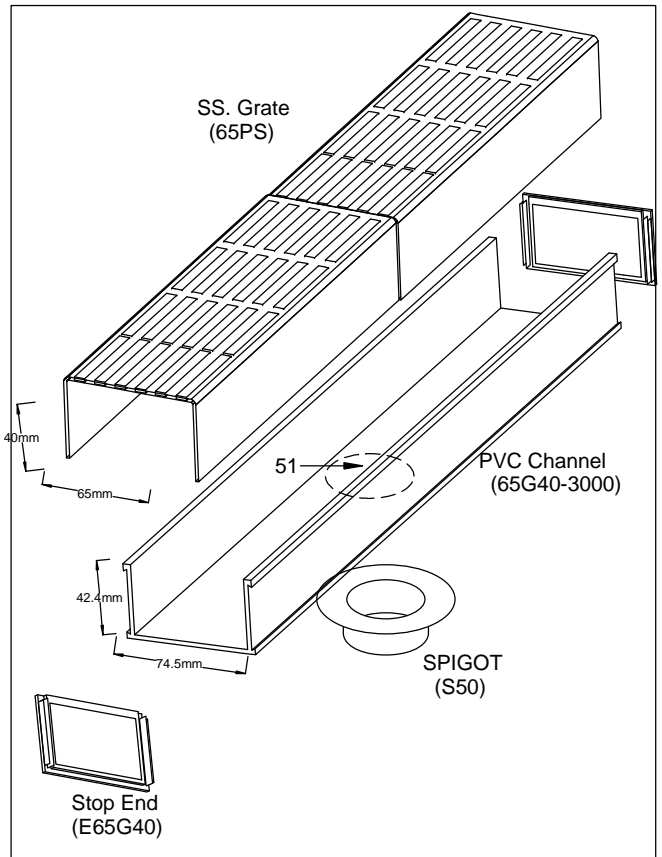


This design conforms with Plumbing Code AS3500

The loose fitting Spigot provides an outlet for moisture in the waterproof rebate and allows the Channel to be removed for safe keeping until tiling.

The S50 Spigot fits in a 50DWV pipe and should drain 1 L/s

One bathroom tap delivers 0.3 litres/sec maximum.



Drill 51mm hole and glue Spigot to bottom of Channel with clear PVC solvent cement.

Install the P.trap & fittings as per the Plumbing Code of Australia AS3500.



Not to scale

Patent 733361.