

# RESILMOUNT

SOUND ISOLATION SOLUTIONS

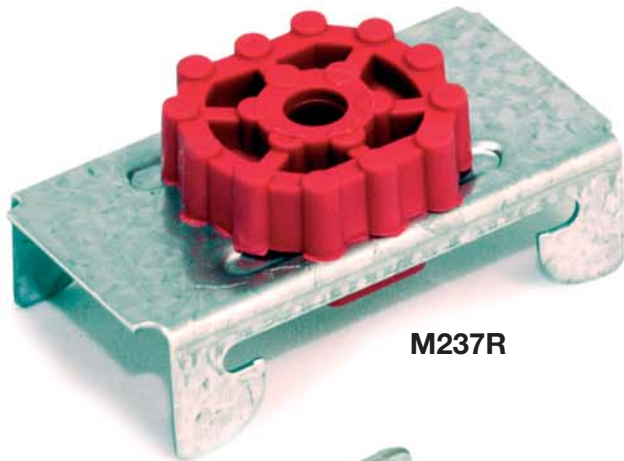
**NEW  
PRODUCT**

## Unique patented thermoplastic rubber with sound cell design

Sound isolation specialists **Studco Building Systems** have now released a new range of patented sound isolation products for the wall and ceiling industry.

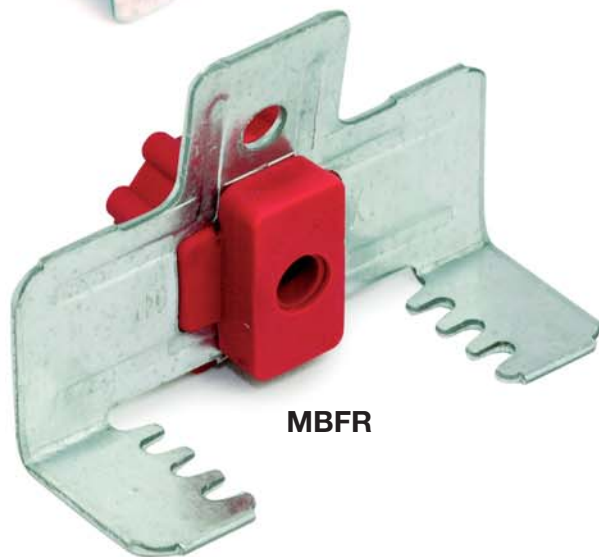
**MBFR**

**M29**  
28mm  
furring  
channel



**M237R**

Resilmount's unique thermoplastic rubber outperforms standard rubber because of its absorbing characteristics.



**MBFR**

Acoustic control for airborne sound has become a major issue for architects and interior designers for high density apartment living.

Resilmount's range of resilient mounts suit standard furring channels and top cross rails for effective noise control. Resulting in ease of construction for contractors who only have to replace standard direct fixing clips with Resilmount's resilient mount clips. Resilient mount clips are the most effective acoustic control system as they isolate the system, from the building structure.

Isolate airborne sound now with the most cost effective solution...

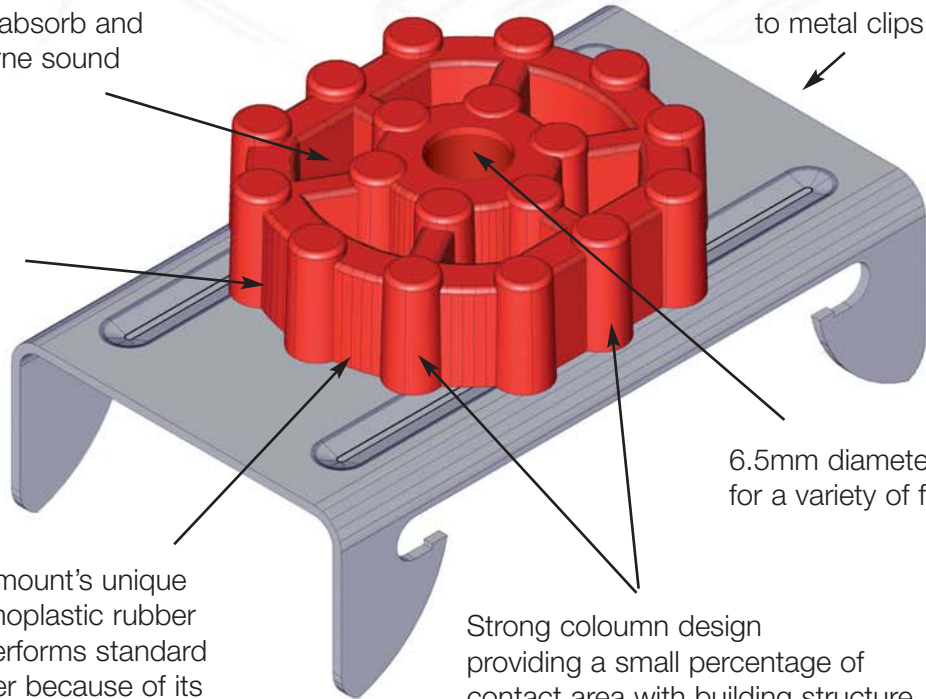
**RESILMOUNT**

## Unique patented thermoplastic rubber with sound cell design

Sound cells to absorb and break up airborne sound

Thermoplastic rubber with no metal washer eliminating the risk of the metal clip coming into contact with a metal washer

Patented secure fixing to metal clips.

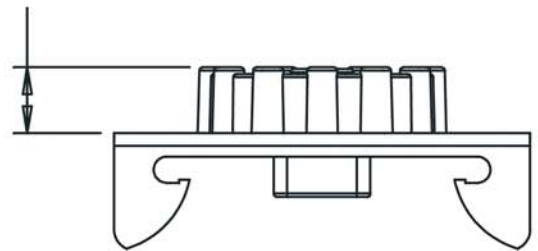


6.5mm diameter hole for a variety of fasteners

Resilmount's unique thermoplastic rubber outperforms standard rubber because of its absorbing characteristics.

Strong column design providing a small percentage of contact area with building structure.

Low profile of only 9.8mm



- Maximum dead load 25kg each clip
- Maximum spacing of clip is 1200mm on centres
- MBFR Adjustable clip not to be used in ceiling applications
- Screws and masonry sleeve anchors recommended for all fixing. (See fasteners manufacturers specifications).
- Suitable for use with Studco M29 28mm furring channel and M308 16mm furring channel.

### Custom made

Custom made isolation brackets available at short lead times, contact resilmount with your specifications.

