

HUWIL

Overhead Flap Fittings
great solutions for every cabinet



The trend in furniture design is shifting from doors to flaps – especially in kitchen, bath, living and office furniture applications. The existing Huwil assortment is very well suited to solve even the trickiest application in furniture construction and to provide the end user with the desired opening experience. Duo, Maxi and Senso are incredibly flexible and will fit even the most unique characteristics of furniture flap design – big or small, heavy or light, wood, glass or aluminium – the multiple application possibilities of Huwil’s flap hardware is unrivalled.

Huwil is a company with a rich heritage. As of 1st September 2009, Häfele took over the flap hardware of Huwil. This step ensures that this extensive and time proven hardware assortment continues to be available.

Of course, Häfele will continue to focus on the trends in furniture design and in consultation with our customers, we will develop and expand the flap hardware line.

It is our primary concern that this transition will be as smooth as possible for you. This means that we will maintain reliable delivery services, familiar contacts and procedures wherever possible. And we are hoping for your feedback as we work with you to improve on the existing procedures.

We are confident that you will benefit from the enhanced service quality Häfele offers that is now part of the renowned Huwil hardware.

HUWIL

Contents



01

Bifold Flap Lift Up Fittings

E-Senso 3686 (electric)
Senso 3674

2 - 5



02

Swing Up Front Fittings

E-Verso 3687 (electric)
Verso 3684

6 - 9



03

Parallel Lift Up Front Fittings

E-Strato 3688 (electric)
Strato 3685
Ewiva

10 - 15



04

Lid & Flap Stays

Free 3677
Duo 3667 / Duo-Forte 3666
Maxi 3675
Maxi-Touch 3675
Maxi Up 3675

16 - 25

www.hafele.com

- Online catalogues
- Online ordering - up to the minute pricing and stock availability
- New Product information
- Special offers and promotions
- Häfele news, events and services in your state

Bifold Flap Lift Up Fitting

01

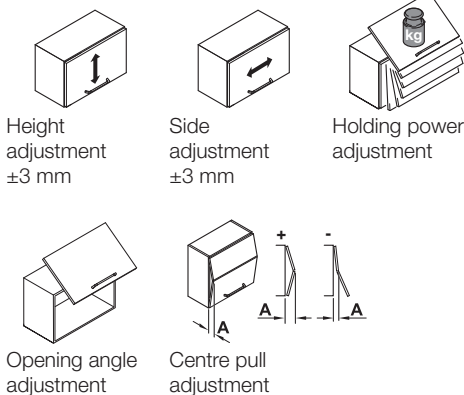
E-Senso 3686 (electric)

For Two-Piece Bifold Flaps

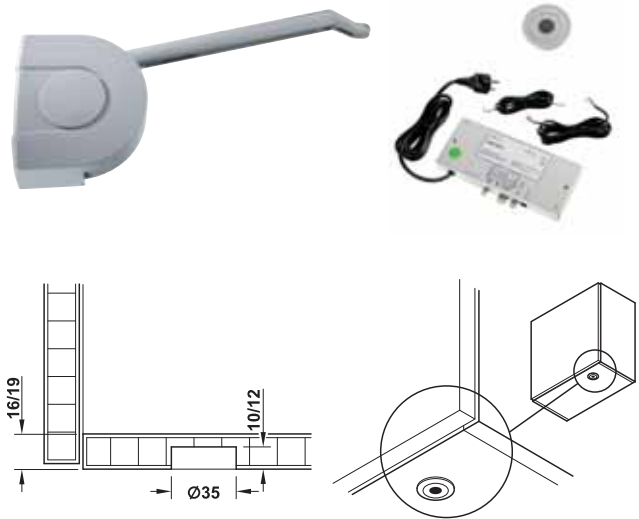


- **Features:**
 - Electric opening and closing system for bifolding flaps
 - Programmable push-button remote control for opening and closing the flap
 - Push button remote control suitable for operating several flap fittings
 - Quiet drive and soft closing action
 - Operating the flap in case of power failure possible with increased amount of effort
 - Flap can be operated without additional power assistance
 - Obstacle detection with auto-stop on both sides
- **Material:**
 - Fitting: Steel, aluminium
 - Cover cap: Plastic
- **Finish:**
 - Fitting: Silver coloured anodised
 - Cover cap: Grey, similar to RAL 9006
- **Nominal voltage:** 18 V
- **Input voltage:** 100 - 240 V, 50 - 60 Hz

Adjustment Facility



E-Senso 3686 (electric) Fitting Set



The push-button remote control can be recess mounted in the furniture

Flap Height (mm)	Flap Weight (kg)	Cat. No.
550 (540 - 580)	2.5 - 6.5	372.64.801
	6 - 11	372.64.802
	9.5 - 18	372.64.803
	13 - 22	372.64.804
600 (580 - 640)	2.5 - 6	372.64.811
	5.5 - 10	372.64.812
	7.5 - 17	372.64.813
	12 - 21	372.64.814
650 (640 - 700)	3 - 5.5	372.64.821
	5.5 - 9	372.64.822
	7 - 14.5	372.64.823
	10.5 - 18.5	372.64.824
720 (700 - 780)	3 - 5	372.64.831
	4.5 - 8	372.64.832
	7 - 14	372.64.833
	9 - 16.5	372.64.834
800 (780 - 840)	4.5 - 8	372.64.841
	7 - 11	372.64.842
	9 - 14	372.64.843
	865 (840 - 900)	5 - 10
	7 - 12	372.64.852

Packing: 1 set

Supplied with

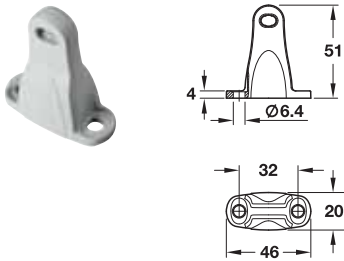
- 1 Push button remote control with battery
- 1 Connecting cable (length 2000 mm) with Australian plug
- 1 Control unit with female adaptor
- 1 Allen key 4 mm
- 2 Fittings with cover caps
- 2 Base plates
- 2 Connecting cables for drives/control unit
- 4 Screws M5 x 16 mm
- 1 Set of installation and operating instructions



Note:
Screw-on brackets and connecting hinges not supplied. Please order separately.

Bifold Flap Lift Up Fitting

E-Senso 3686 (electric) Accessories Screw-On Bracket with Round Hole For Timber Flaps or Flaps with 45 mm Aluminium Frame

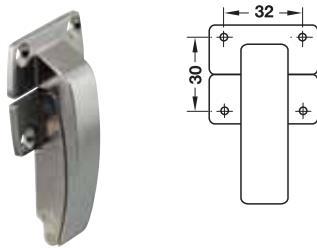


- Area of Application: For mounting the bifold flap lift up fitting
- Material: Plastic

Finish	Cat. No.
Silver coloured, similar to RAL 9006	372.64.990

Packing: 1 or 10 pieces

Connecting Hinge

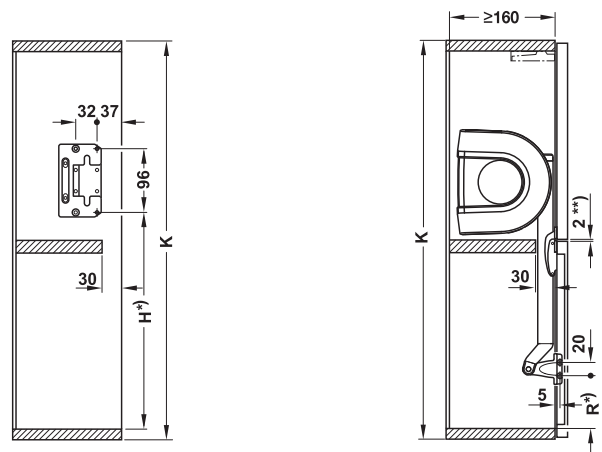
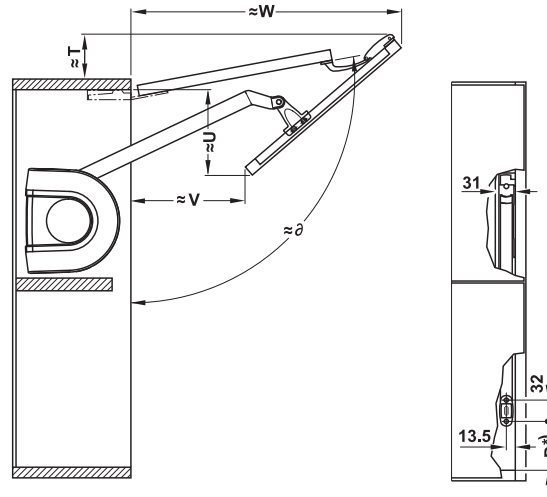


- Area of Application: For timber flaps and flaps with 45 mm aluminium frame
- Material: Zinc alloy
- Finish: Nickel plated

Function	Installation	Cat. No.
Not adjustable	With varianta special screw, without guide pin	372.64.792
Adjustable	With chipboard screws, without guide pin	372.64.791

Packing: 1 or 10 pieces

E-Senso 3686 (electric) Installation



Installation Dimensions

Flap height (K) (mm)	ϑ	D	H	R	T	U	V	W
540 - 580	101°	57.5	290	63.5	70	139	192	390
580 - 640	101°	73.5	326	79.5	70	130	170	405
640 - 700	103°	67.5	340	73.5	95	160	220	425
700 - 780	102°	75.5	378	81.5	96	207	261	456
780 - 840	100°	71.5	392	77.5	85	255	260	500
840 - 900	102°	47.5	400	53.5	120	260	315	525

Bifold Flap Lift Up Fitting

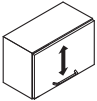
01

Senso 3674 For Two-Piece Bifold Flaps

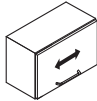


- Material: Fitting: Steel, aluminium
Cover cap: Plastic
- Finish: Fitting: Silver coloured anodised
Cover cap: Grey, similar to RAL 9006

Adjustment Facility



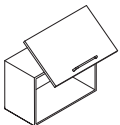
Height adjustment
±3 mm



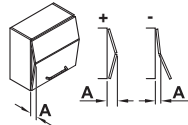
Side adjustment
±3 mm



Holding power adjustment



Opening angle adjustment



Centre pull adjustment

Senso 3674 Fitting Set



Flap Height (mm)	Flap Weight (kg)	Cat. No.
550 (540 - 580)	3 - 6.5	372.64.901
	6 - 12	372.64.902
	9 - 18	372.64.903
	12 - 24.5	372.64.904
600 (580 - 640)	3 - 6	372.64.911
	6 - 11	372.64.912
	9 - 17	372.64.913
	12 - 23	372.64.914
650 (640 - 700)	3 - 5.5	372.64.921
	5.5 - 10	372.64.922
	8 - 16	372.64.923
	10.5 - 21.5	372.64.924
720 (700 - 780)	3.5 - 5.5	372.64.931
	5 - 9	372.64.932
	7 - 15	372.64.933
	9 - 20	372.64.934
800 (780 - 840)	5 - 9	372.64.942
	7 - 13	372.64.943
	9 - 17	372.64.944
865 (840 - 900)	5.5 - 12	372.64.953
	7.5 - 16	372.64.954

Packing: 1 set

Supplied with

- 1 Bifold flap lift up fitting
- 1 Set of installation instructions



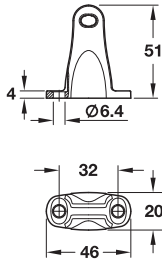
Note:
Screw-on brackets and connecting hinge are not supplied. Please order separately. Special models with 2/3 and 1/3 flap heights possible on request.

Bifold Flap Lift Up Fitting

Senso 3674 Accessories

Screw-On Bracket with Round Hole

For Timber Flaps or Flaps with 45 mm Aluminium Frame

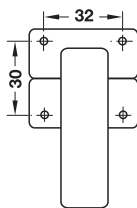


- Area of Application: For mounting the bifold flap lift up fitting
- Material: Plastic

Finish	Cat. No.
Silver coloured, similar to RAL 9006	372.64.990

Packing: 1 or 10 pieces

Connecting Hinge

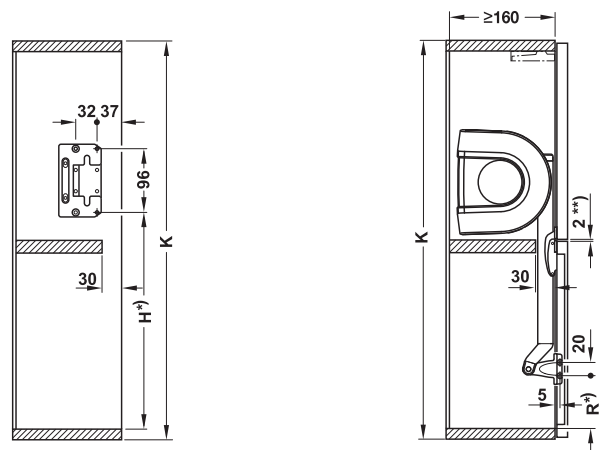
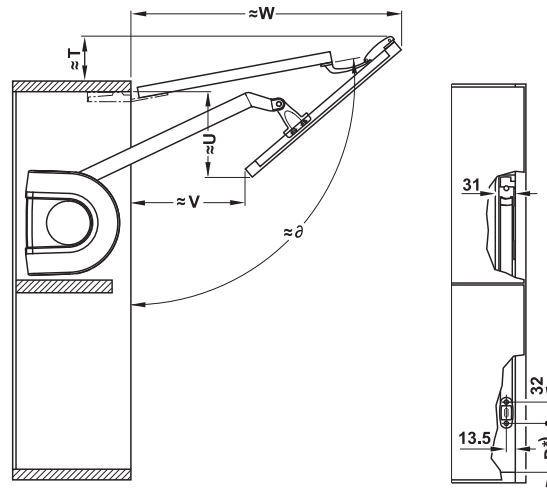


- Area of Application: For timber flaps and flaps with 45 mm aluminium frame
- Material: Zinc alloy
- Finish: Nickel plated

Function	Installation	Cat. No.
Not adjustable	With varianta special screw, without guide pin	372.64.792
Adjustable	With chipboard screws, without guide pin	372.64.791

Packing: 1 or 10 pieces

Senso 3674 Installation



Installation Dimensions

Flap height (K) (mm)	α	D	H	R	T	U	V	W
550	101°	57.5	290	63.5	70	139	192	390
600	101°	73.5	326	79.5	70	130	170	405
650	103°	67.5	340	73.5	95	160	220	425
720	102°	75.5	378	81.5	96	207	261	456
800	100°	71.5	392	77.5	85	255	260	500
865	102°	47.5	400	53.5	120	260	315	525

Swing Up Front Fitting

E-Verso 3687 (electric)

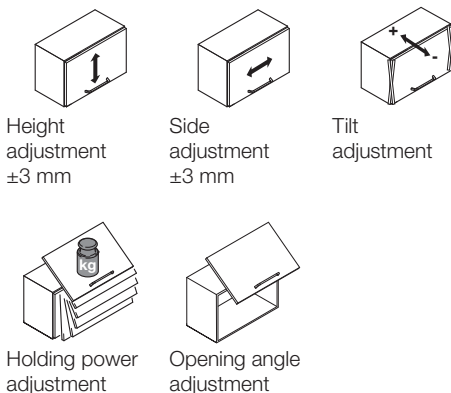
For One-Piece Flaps



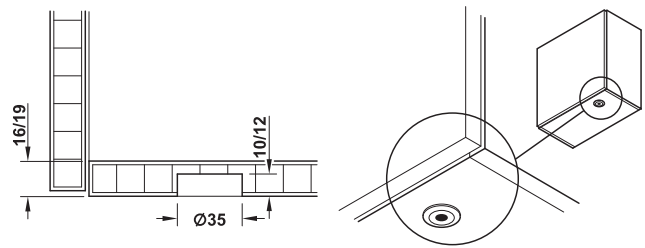
02

- **Features:**
 - Electric opening and closing system for flaps
 - Programmable push-button remote control for opening and closing the flap
 - Push button remote control suitable for operating several flap fittings
 - Quiet drive and soft closing action
 - Operating the flap in case of power failure possible with increased amount of effort
 - Flap can be operated without additional power assistance
 - Obstacle detection with auto-stop on both sides
- **Material:**
 - Fitting: Steel, aluminium
 - Cover cap: Plastic
- **Finish:**
 - Fitting: Silver coloured anodised
 - Cover cap: Grey, similar to RAL 9006
- **Nominal voltage:** 18 V
- **Input voltage:** 100 - 240 V, 50 - 60 Hz

Adjustment Facility



E-Verso 3687 (electric) Fitting Set



The push-button remote control can be recess mounted in the furniture

Measurement Table for Max. Flap Weight

Model	A	B	C	D
Flap Height (mm)	Flap Weight (kg)			
420 - 500	2 - 5	4 - 9	6 - 12	10 - 18
500 - 600	2 - 4.5	4 - 8	6 - 14	8 - 16
600 - 700	2 - 4.5	4 - 8	6 - 11	8 - 15
700 - 800	-	3.5 - 6.5	6 - 10	8.5 - 14

Model	Cat. No.
A	372.67.931
B	372.67.932
C	372.67.933
D	372.67.934

Packing: 1 set

Supplied with

- 1 Push button remote control with battery
- 1 Connecting cable (length 2000 mm) with Australian plug
- 1 Control unit with female adaptor
- 1 Allen key 4 mm
- 2 Fittings with cover caps
- 2 Base plates
- 2 Screw-on brackets for timber doors and 45 mm aluminium frames
- 2 Connecting plates left/right
- 2 Adjusting parts
- 2 Cam followers left/right
- 2 Connecting cables for drives/control unit
- 4 Screws M5 x 16 mm
- 1 Set of installation and operating instructions



Note:
Please order cross bar separately.

Swing Up Front Fitting

E-Verso 3687 (electric) Accessories Cross Bar

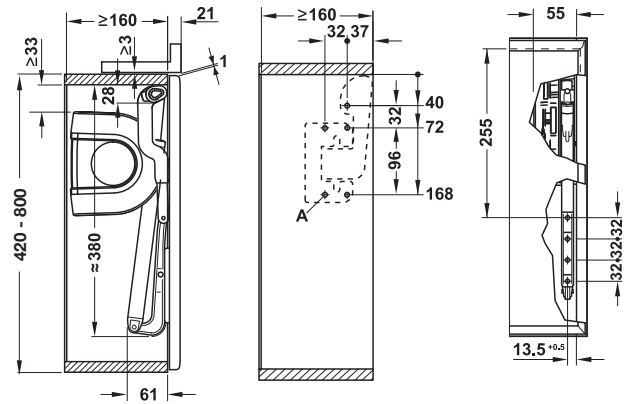
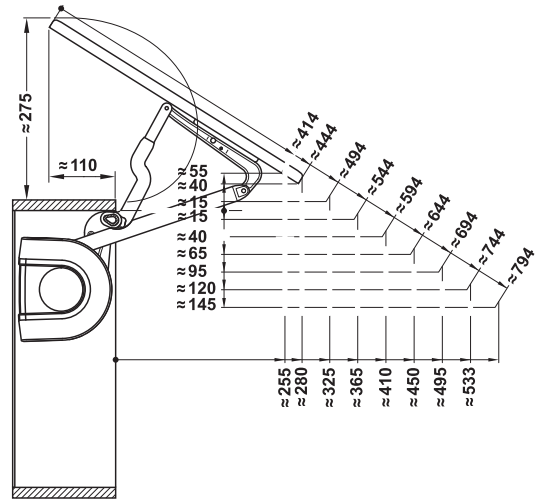


- Area of Application: For connecting both E-Verso fitting components
- Material: Aluminium
- Finish: Silver coloured anodised

Suitable for Flap Width (mm)	Length (mm)	Cat. No.
600	477	372.67.983
900	777	372.67.985
1200	1077	372.67.987
1500	1377	372.67.989
1800	1677	372.67.990

Packing: 1 piece

E-Verso 3687 (electric) Installation



02

Swing Up Front Fitting

Verso 3684 For One-Piece Flaps



02

- Material: Fitting: Steel
Cover cap: Plastic
- Finish: Fitting: Silver coloured anodised
Cover cap: Grey, similar to RAL 9006

Adjustment Facility



Height adjustment
±3 mm



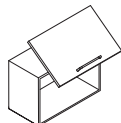
Side adjustment
±3 mm



Tilt adjustment



Holding power adjustment



Opening angle adjustment

Verso 3684 Fitting Set



Measurement Table for Max. Flap Weight

Model	A	B	C	D
Flap Height (mm)	Flap Weight (kg)			
420 - 550	2 - 4	4 - 8	6 - 10	8 - 17
550 - 650	2 - 3.5	3.5 - 7	6 - 10	9 - 16
650 - 800	-	3 - 6.5	5 - 10	9 - 15

Model	Cat. No.
A	372.67.901
B	372.67.902
C	372.67.903
D	372.67.904

Packing: 1 set

Supplied with

- 1 Swing up front fitting
- 2 Cover caps
- 2 Screw-on brackets for timber doors and 45 mm aluminium frames
- 1 Set of Installation instructions



Note:
Please order cross bar separately.

Swing Up Front Fitting

Verso 3684 Accessories

Cross Bar

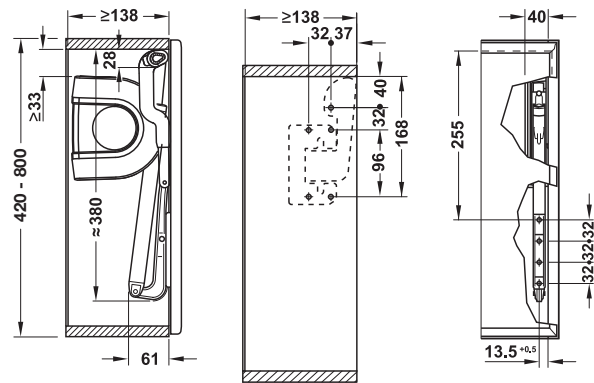
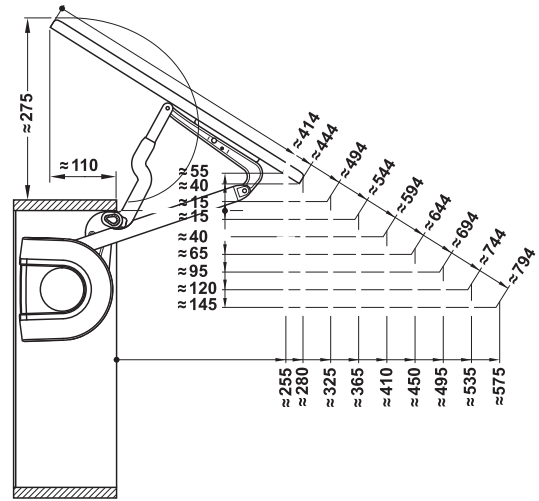


- Area of Application: For connecting both Verso fitting components
- Material: Aluminium
- Finish: Silver coloured anodised

Suitable for Flap Width (mm)	Length (mm)	Cat. No.
600	477	372.67.983
900	777	372.67.985
1200	1077	372.67.987
1500	1377	372.67.989
1800	1677	372.67.990

Packing: 1 piece

Verso 3684 Installation



02

Parallel Lift Up Front Fitting

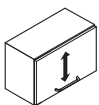
E-Strato 3688 (electric)

For One-Piece Flaps

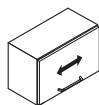


- **Features:**
 - Electric opening and closing system for flaps
 - Programmable push-button remote control for opening and closing the flap
 - Push button remote control suitable for operating several flap fittings
 - Quiet drive and soft closing action
 - Operating the flap in case of power failure possible with increased amount of effort
 - Flap can be operated without additional power assistance
 - Obstacle detection with auto-stop on both sides
- **Material:**
 - Fitting: Steel, aluminium
 - Cover cap: Plastic
- **Finish:**
 - Fitting: Silver coloured anodised
 - Cover cap: Grey, similar to RAL 9006
- **Nominal voltage:** 18 V
- **Input voltage:** 100 - 240 V, 50 - 60 Hz

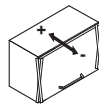
Adjustment Facility



Height adjustment
±3 mm



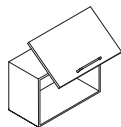
Side adjustment
±3 mm



Tilt adjustment

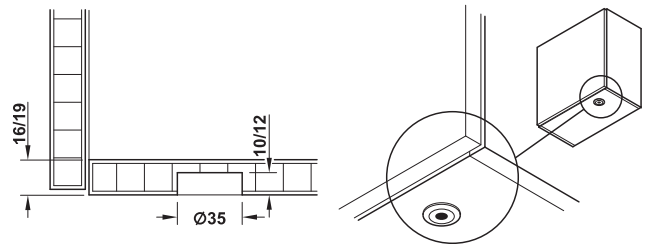


Holding power adjustment



Opening angle adjustment

E-Strato 3688 (electric) Fitting Set



The push-button remote control can be recess mounted in the furniture

Flap Height (mm)	Flap Weight (kg)	Cat. No.
342 - 420	1.5 - 4	372.68.941
	3.5 - 7	372.68.942
	6 - 10.5	372.68.943
420 - 500	2 - 3.5	372.68.951
	3 - 7	372.68.952
	6 - 10.5	372.68.953
	8 - 14	372.68.954
500 - 550	3.8 - 9	372.68.961
	7 - 12	372.68.962
550 - 650	4.5 - 10	372.68.971
	6 - 11	372.68.972

Packing: 1 set

Supplied with

- 1 Push button remote control with battery
- 1 Connecting cable (length 2000 mm) with Australian plug
- 1 Control unit with female adaptor
- 1 Allen key 4 mm
- 2 Fittings with cover caps
- 2 Base plates
- 2 screw-on brackets for timber doors and 45 mm aluminium frames
- 2 Connecting plates left/right
- 2 Adjusting parts
- 2 Cam followers left/right
- 2 Connecting cables for drives/control unit
- 4 Screws M5 x 16 mm
- 1 Set of installation and operating instructions

03



Note:
Please order cross bar separately.

Parallel Lift Up Front Fitting

E-Strato 3688 (electric) Accessories Cross Bar

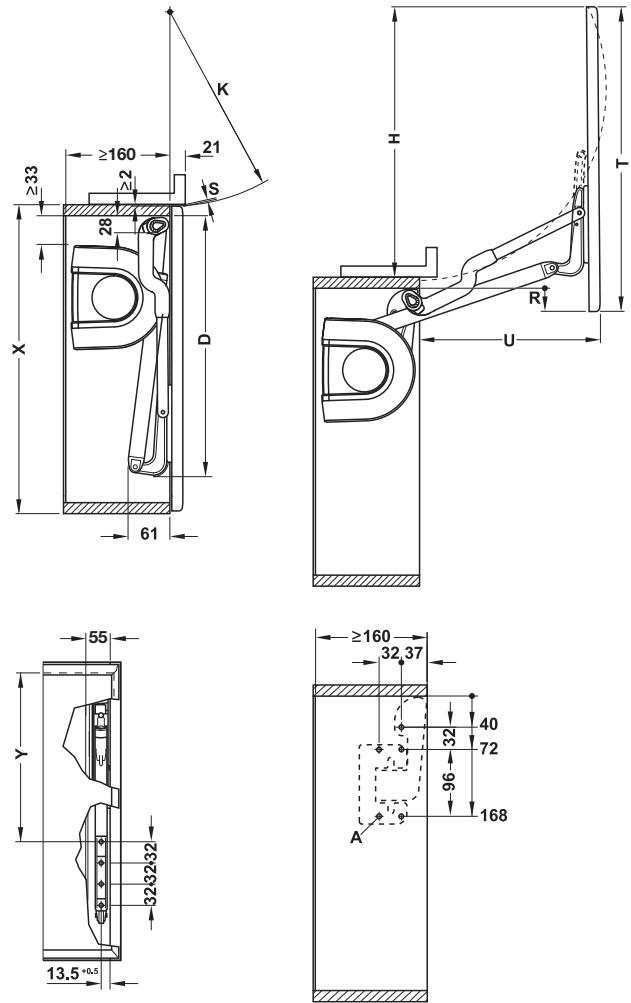


- Area of Application: For connecting both E-Strato fitting components
- Material: Aluminium
- Finish: Silver coloured anodised

Suitable for Flap Width (mm)	Length (mm)	Cat. No.
600	477	372.67.983
900	777	372.67.985
1200	1077	372.67.987
1500	1377	372.67.989
1800	1677	372.67.990

Packing: 1 piece

E-Strato 3688 (electric) Installation



Installation Dimensions

Flap height (mm)	X	Y	D ca.	H	K	R ca.	S	T	U ca.
342 - 420	342	186	308	295	205	28	0.8	333	200
	350	186	308	295	205	38	0.8	346	200
	420	186	308	295	205	98	0.8	416	200
420 - 500	420	255	380	395	271	5	1.2	414	265
	450	255	380	395	271	35	1.2	444	265
	500	255	380	395	271	85	1.2	494	265
500 - 550	500	293.5	420	450	312.5	30	1.3	494	265
	550	293.5	420	450	312.5	80	1.3	544	295
550 - 650	550	313.5	440	480	332.5	50	1.3	544	315
	600	313.5	440	480	332.5	100	1.3	594	315
	600	313.5	440	480	332.5	150	1.3	644	315

Parallel Lift Up Front Fitting

Strato 3685

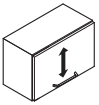
For One-Piece Flaps



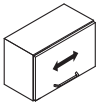
- Material: Fitting: Steel
Cover cap: Plastic
- Finish: Fitting: Silver coloured anodised
Cover cap: Grey, similar to RAL 9006

Adjustment Facility

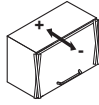
03



Height adjustment
±3 mm



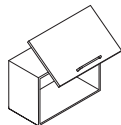
Side adjustment
±3 mm



Tilt adjustment



Holding power adjustment



Opening angle adjustment

Strato 3685 Fitting Set



Flap Height (mm)	Flap Weight (kg)	Cat. No.
342 - 420	1.5 - 4	372.68.931
	4 - 7.2	372.68.932
	6.5 - 11.5	372.68.933
420 - 500	2 - 3.5	372.68.901
	3.5 - 7	372.68.902
	6.5 - 11	372.68.903
500 - 550	8 - 16	372.68.904
	3.8 - 10	372.68.913
550 - 650	6 - 15	372.68.914
	3.5 - 10	372.68.923
	6 - 14.5	372.68.924

Packing: 1 set

Supplied with

- 1 Parallel lift up front fitting
- 2 Cover caps
- 2 Screw-on brackets for timber doors and 45 mm aluminium frames
- 1 Set of installation instructions



Note:
Please order cross bar separately.

Updated 06.10

Parallel Lift Up Front Fitting

Strato 3685 Accessories

Cross Bar

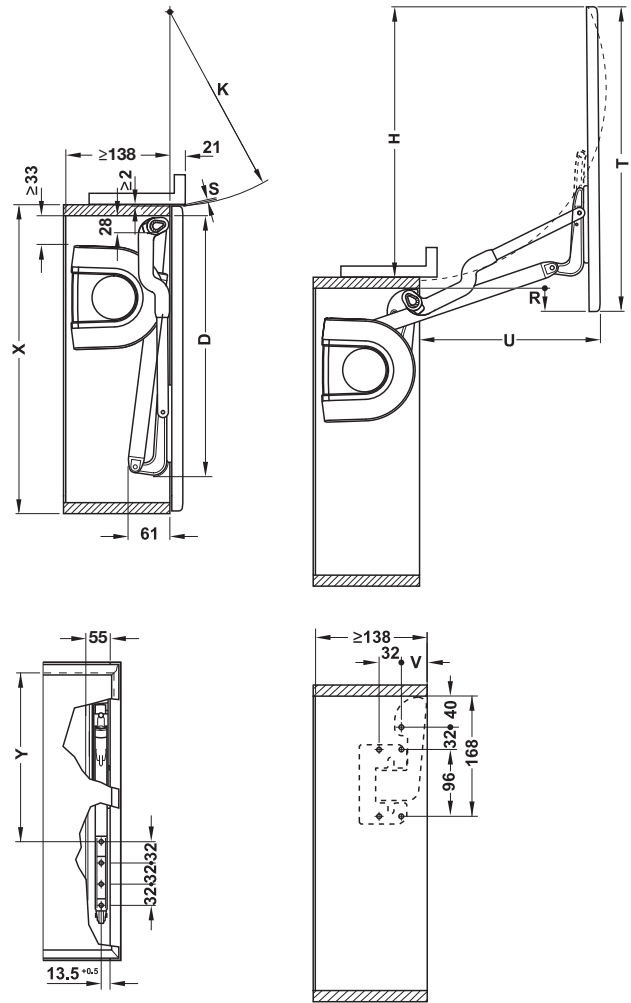


- Area of Application: For connecting both Strato fitting components
- Material: Aluminium
- Finish: Silver coloured anodised

Suitable for Flap Width (mm)	Length (mm)	Cat. No.
600	477	372.67.983
900	777	372.67.985
1200	1077	372.67.987
1500	1377	372.67.989
1800	1677	372.67.990

Packing: 1 piece

Strato 3685 Installation



Installation Dimensions

Flap height (mm)	X	Y	D ca.	H	K	R ca.	S	T	U ca.	V
342 - 420	342	186	308	295	205	28	0.8	333	200	50
	350	186	308	295	205	38	0.8	346	200	50
	420	186	308	295	205	98	0.8	416	200	50
420 - 500	420	255	380	395	271	5	1.2	414	265	37
	450	255	380	395	271	35	1.2	444	265	37
	500	255	380	395	271	85	1.2	494	265	37
500 - 550	500	293.5	420	450	312.5	30	1.3	494	265	37
	550	293.5	420	450	312.5	80	1.3	544	295	37
550 - 650	550	313.5	440	480	332.5	50	1.3	544	315	37
	600	313.5	440	480	332.5	100	1.3	594	315	37
	600	313.5	440	480	332.5	150	1.3	644	315	37

Parallel Lift Up Front Fitting

Ewiva

For One-Piece Flaps



03

- Area of Application: For concealed installation of built-in appliances such as microwaves or grills in kitchen cupboards
- Features: Front adjustment without tools
Safety (finger protection) provided by enclosed hinged levers
- Material: Fitting: Steel
Cover caps and lift mechanism: Plastic
- Finish: Galvanised
- Colour: Cover caps and lift mechanism: Grey
- Internal Cabinet Height: Min. 312 mm
- Version: With soft opening and closing - prevents impact noise when opening and closing the flap
- Travel: 380 mm

Ewiva Complete Fitting Set for Timber Flaps

For Fixed Cabinet Width 600 mm

With Powerpack

- Area of Application: For 3.3 - 6.6 kg flap weight, including handle
- Material: Cross bar: Steel
- Finish: Galvanised

Suitable for Cabinet Width (mm)	Cat. No.
600	372.43.910

Packing: 1 set

Supplied with

- 1 Cross bar for cabinet width 600 mm (cannot be shortened)
- 2 Side components
- 1 Powerpack 3.3 - 6.6 kg
- 2 Front brackets
- 2 Cover caps
- 1 Set of installation instructions

Parallel Lift Up Front Fitting

Ewiva Fitting Set for Timber Flaps

For Cabinet Width 600 - 1500 mm

Without Powerpack

Suitable for Maximum Cabinet Width (mm)	Adjustable to fit Cabinet Width (mm)	Cat. No.
900	900 - 600	372.50.921
1200	1200 - 900	372.50.922
1500	1500 - 1200	372.50.923

Packing: 1 set

Supplied with

- 1 Cross bar for cabinet width (can be shortened)
- 2 Side components
- 2 Front brackets
- 2 Cover caps
- 1 Set of installation instructions

Ewiva Powerpack

For Fitting Sets for Cabinet Widths 900, 1200 & 1500 mm

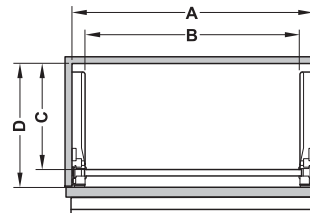
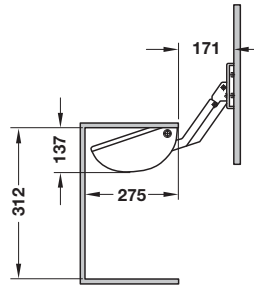


- Material: Plastic
- Finish: Grey

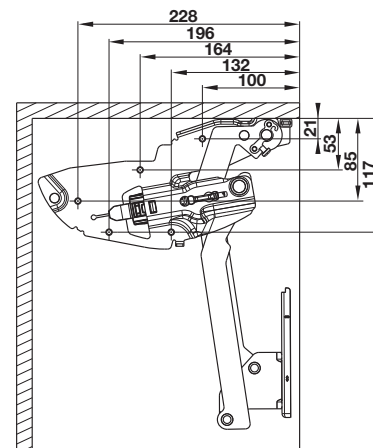
For Flap Weight (kg)	Cat. No.
2.5 - 4.8, including handle	372.50.531
3.3 - 6.6, including handle	372.50.532
5.3 - 8, including handle	372.50.533

Packing: 1 set

Ewiva Installation



Dimension B = Dimension A - 62 mm
Dimension C = Dimension D - 43 mm



Stay Flap Fitting

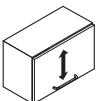
Free 3677

For One-Piece Flaps

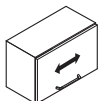


- Area of Application: For timber flaps and flaps with 45 mm aluminium frame
- Features: Hinges not required
Flap locks in any position
With soft-close
- Opening Angle: 90° or 100°
- Material: Fitting: Steel
Cover caps: Plastic
- Finish: Fitting: Nickel plated
Cover cap: Grey, RAL 9006
- Installation: Fitting for screw fixing flap without tools (clip system) onto pre-mounted mounting bracket

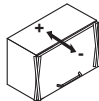
Adjustment Facility



Height adjustment
±1/-1.5 mm



Side adjustment
+1/-1.5 mm



Tilt adjustment



Holding power adjustment

04

Free 3677 Fitting Set



Measurement Table for Max. Flap Weight

Model	A	B	C	D	E	F
Flap Height (mm)	Flap Weight (kg)					
250	3.5 - 4	4.6 - 8.2	7 - 12	9.4 - 16.4	-	-
400	1.5 - 2.5	3 - 5	4.4 - 7.6	5.9 - 10.2	8.7 - 14.1	-
500	-	2.3 - 4.1	3.5 - 6.1	4.7 - 8.2	7 - 11.3	10.4 - 14.4
600	-	-	-	3.9 - 6.8	5.8 - 9.4	8.6 - 12
700	-	-	-	3.3 - 5.8	5 - 8.1	7.4 - 10.2

Model	Opening Angle	
	90°	100°
A	372.91.521	372.91.511
B	372.91.522	372.91.512
C	372.91.523	372.91.513
D	372.91.524	372.91.514
E	372.91.525	372.91.515
F	372.91.526	372.91.516

Packing: 1 set

Supplied with

- 2 Stay flap fittings (left/right)
- 2 Cover caps for fitting
- 2 Mounting brackets (left/right)
- 2 Cover caps for mounting brackets
- Installation instructions

Stay Flap Fitting

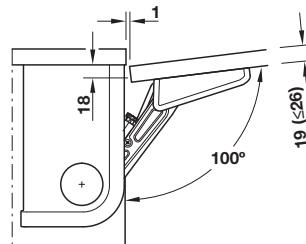
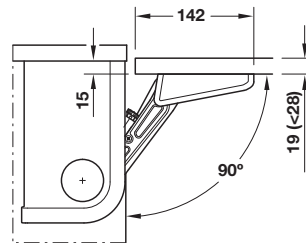
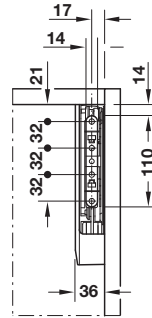
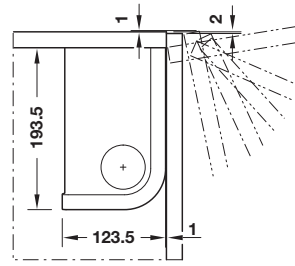
Free 3677 Accessories
Adaptor for 20 mm Aluminium Profile



- Material: Zinc alloy
- Mounting: Suitable for left hand and right hand use

Finish	Cat. No.
Chrome plated	372.91.591

Free 3677 Installation



Lid Stay

Duo 3667 / Duo-Forte 3666

For One-Piece Flaps and Lids

With Adjustable Spring Force



Use as lid stay, timber flap



Use as lid stay, flap with aluminium frame



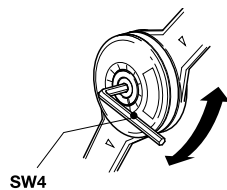
Use as flap stay, timber flap



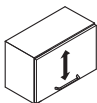
- Area of Application: Suitable for use as flap stay or lid stay
- Opening Angle: 75°, 90° or 100°
- Material: Stay: Zinc alloy
Mounting bracket: Steel
- Finish: Nickel plated
- Version: With self closing function
- Mounting: For left and right hand use
- Installation: Without tools (clip system)
- Distance from Edge: 37 mm
- Function: Lock function: Flap locks in any position
Braking function: Flap locks in end position, release by slight pressure

Function

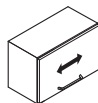
Setting the braking effect to locking and braking by adjusting the screw with a SW4 hexagon socket



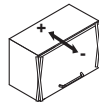
Adjustment Facility



Height adjustment
±2 mm



Side adjustment
±3/-1 mm



Tilt adjustment
±1.5 mm



Push adjustment

Duo 3667 Complete Set



- Area of Application: For timber flaps or flaps with 45 mm aluminium frame

Edge Distance (mm)	Cat. No.
37	373.66.612

Packing: 1 piece

Supplied with

- 1 Lid stay
- 1 Mounting bracket for cabinet
- 1 Mounting bracket for timber flap or 45 mm aluminium frame
- Installation instructions

Measurement Table for Max. Flap Weight

Flap height	Max. Flap Weight (kg)			
	Lock Function		Braking Function	
	1 Stay	2 Stays	1 Stay	2 Stay
For opening angle 75°				
200	9	15	11.5	15
250	7	15	9	15
300	6	12	7.5	15
350	5	10	6.5	13
400	4.5	9	6	11.5
450	4	8	5	10
500	3.5	7	4.5	9
For opening angle 90°				
200	7.5	15	9.5	15
250	6	12	7.5	15
300	5	10	6	13
350	4	8.5	5.5	11
400	3.5	7	5	10
450	3.5	6.5	4	8.5
500	3	6	4	8
For opening angle 110°				
200	6	12	8	15
250	5	9.5	6	12
300	4	8	5	10
350	3	7	4	9
400	3	6	4	7.5
450	2.5	5	3.5	7
500	2	5	3	6



Note:

When using Duo 3667 as flap stay, a magnet has to be fitted.

When using Duo-Forte 3667 as flap stay, a magnet has to be fitted with an installation height of 189 + 32 mm and a projection of 160 + 32 mm.

Lid Stay

Duo-Forte 3666 Complete Set



- Area of Application: For timber flaps or flaps with 45 mm aluminium frame

Edge Distance (mm)	Cat. No.
37	373.66.632

Packing: 1 piece

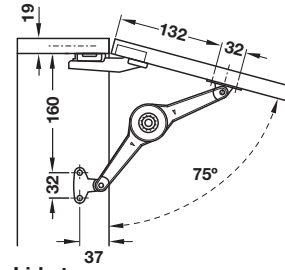
Supplied with

- 1 Lid stay
- 1 Mounting bracket for cabinet
- 1 Mounting bracket for timber flaps or 45 mm aluminium frame
- Installation instructions

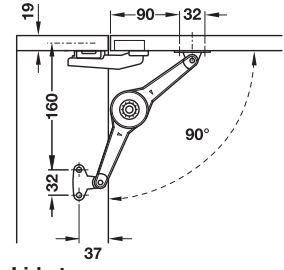
Measurement Table for Max. Flap Weight

Flap height	Max. Flap Weight (kg)			
	Lock Function		Braking Function	
	1 Stay	2 Stays	1 Stay	2 Stay
For opening angle 75°				
200	14	15	15	15
250	11.5	15	15	15
300	9	15	12	15
350	8	15	11	15
400	7	14	9	15
450	6	12.5	8	15
500	5.5	11	7	15
550	5	10	6.5	13
600	5	9.5	6	12
650	4	8.5	5.5	11
700	4	8	5	10.5
For opening angle 90°				
200	12.5	15	15	15
250	9.5	15	12	15
300	8	15	10	15
350	7	13.5	9	15
400	6	12	8	15
450	5	11	7	14
500	5	9.5	6	12
550	4	8.5	5.5	11
600	4	8	5	10
650	3.5	7	5	9.5
700	3	7	4	9
For opening angle 110°				
200	9.5	15	12.5	15
250	7.5	15	10	15
300	6.5	12.5	8	15
350	5.5	11	7	14
400	4.5	9.5	6	12.5
450	4	8.5	5.5	11
500	4	7.5	5	10
550	3.5	7	4	9
600	3	6	4	8
650	3	5.5	4	7.5
700	3	5	3.5	7

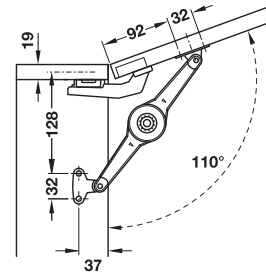
Duo 3667 Installation



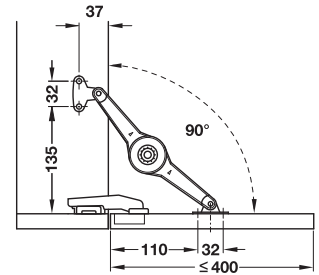
Lid stay



Lid stay

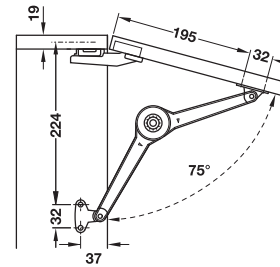


Lid stay

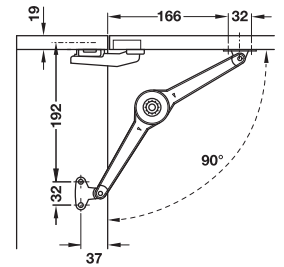


Flap stay

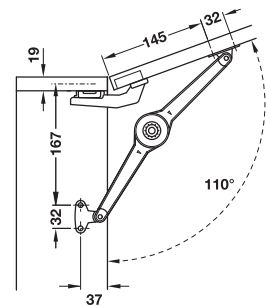
Duo-Forte 3666 Installation



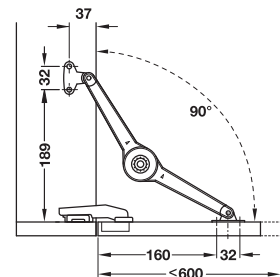
Lid stay



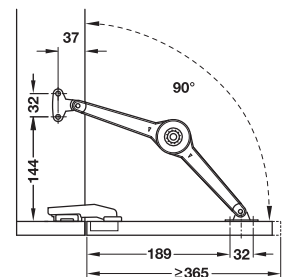
Lid stay



Lid stay



Flap stay



Flap stay

A Note:
Minimum installation depth:
Duo: 135 mm Duo-Forte: 175 mm

Lid Stay

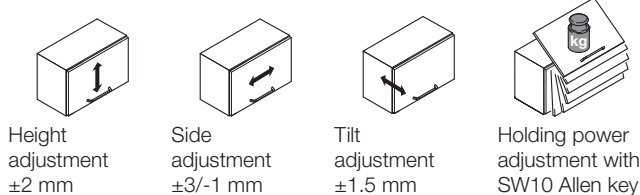
Maxi 3675 For One-Piece Flaps



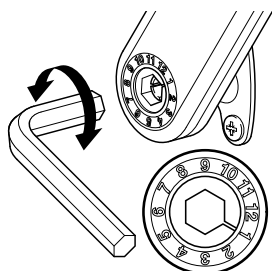
- Opening Angle: 75°, 90° or 110°
- Material: Stay: Zinc alloy
Mounting bracket and screw-on bracket: Steel
Cover caps and adjusting screw: Plastic
- Finish: Nickel plated
Cover cap: Grey
- Colour: Model A: Grey
Model B: Beige
Model C: White
Model D: Black
- Version: With power assisted opening
- Mounting: Suitable for left hand and right hand use
- Installation: Without tools (clip system) onto pre-mounted mounting bracket
- Distance from edge: 37 mm

04

Adjustment Facility



Adjusting the Braking Effect



Maxi 3675 Fitting Set

- Area of Application: For timber flaps or flaps with 45 mm aluminium frame
- Distance from Edge: 37 mm

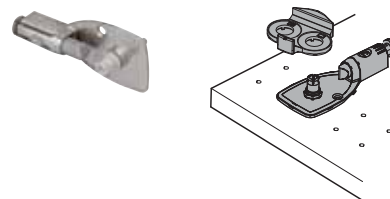
Model	Cat. No.
A	373.69.512
B	373.69.412
C	373.69.712
D	373.69.312

Packing: 1 piece

Supplied with

- 1 Lid stay
- 1 Mounting bracket for cabinet
- 1 Mounting bracket for timber flap or 45 mm wide aluminium frame
- Installation instructions

Maxi 3675 Accessories Soft-Close Mechanism



- Material: Zinc alloy
- Finish: Nickel plated

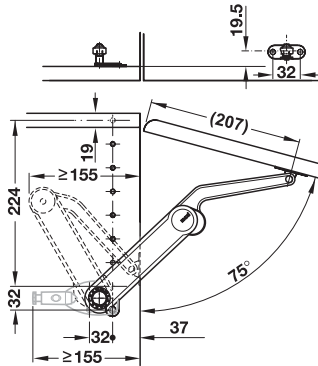
	Cat. No.
	373.69.799

Packing: 1 or 10 pieces

A Note:
The weight specification applies to one Maxi fitting.
Order two Maxi fittings for flap widths from 600 mm and above.

Lid Stay

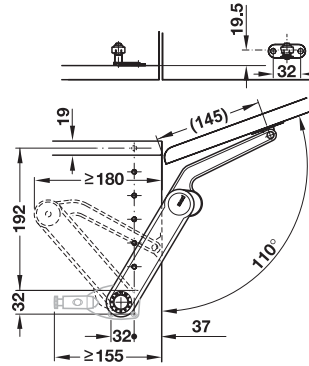
Maxi 3675 Installation With Opening Angle 75°



Measurement Table for Max. Flap Weight

Model	A	B	C	D
Flap Height (mm)	Flap Weight (kg)			
300	3.8 - 7.1	6.7 - 13.7	11.9 - 21	15.4 - 27.3
400	2.8 - 5.3	5 - 10.3	8.9 - 15.8	11.6 - 20.5
500	2.3 - 4.3	4.1 - 8.3	7.2 - 12.5	9.4 - 16.2
600	1.9 - 3.5	3.3 - 7	5.9 - 10.6	7.6 - 13.7
700	1.6 - 3	2.8 - 5.7	5 - 8.8	6.5 - 11.4
800	1.4 - 2.7	2.5 - 5.1	4.4 - 7.9	5.7 - 10.4
900	1.3 - 2.4	2.2 - 4.6	4 - 7	5.2 - 9.1
1000	1.1 - 2.1	2 - 4.1	3.6 - 6.3	4.6 - 8.2

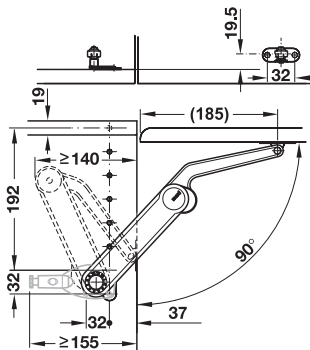
Maxi 3675 Installation With Opening Angle 110°



Measurement Table for Max. Flap Weight

Model	A	B	C	D
Flap Height (mm)	Flap Weight (kg)			
300	2.4 - 4	3.9 - 7.5	6.8 - 11.6	9.2 - 15
400	1.8 - 3	2.9 - 5.6	5.1 - 8.7	6.9 - 11.2
500	1.4 - 2.4	2.4 - 4.5	4 - 7.1	5.7 - 9
600	1.2 - 2	1.9 - 3.8	3.3 - 5.9	4.5 - 7.6
700	1 - 1.7	1.7 - 3.1	2.9 - 4.8	3.8 - 6.2
800	0.9 - 1.4	1.4 - 2.8	2.6 - 4.3	3.4 - 5.6
900	0.8 - 1.3	1.3 - 2.5	2.3 - 3.8	3 - 5
1000	0.7 - 1.2	1.1 - 2.2	2 - 3.5	2.7 - 4.5

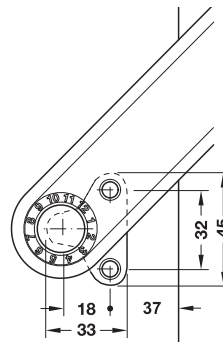
Maxi 3675 Installation With Opening Angle 90°



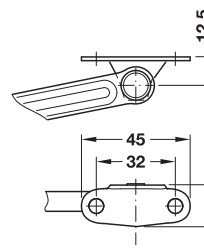
Measurement Table for Max. Flap Weight

Model	A	B	C	D
Flap Height (mm)	Flap Weight (kg)			
300	3 - 5.3	5.1 - 10.2	9.1 - 15.8	11.9 - 20.8
400	2.3 - 4	3.8 - 7.6	6.9 - 11.9	8.9 - 15.6
500	1.8 - 3.2	3.1 - 6.1	5.5 - 9.6	7.2 - 12.5
600	1.5 - 2.7	2.6 - 5.1	4.6 - 7.9	6 - 10.4
700	1.3 - 2.2	2.1 - 4.2	3.8 - 6.6	4.9 - 8.7
800	1.1 - 2	1.9 - 3.9	3.4 - 5.9	4.4 - 7.8
900	1 - 1.8	1.7 - 3.4	3 - 5.2	3.9 - 6.9
1000	0.9 - 1.6	1.5 - 3	2.7 - 4.7	3.6 - 6.2

Mounting Bracket Dimensions



- Locks the flap reliably in any position and lets it gently slide downwards
- With power assisted opening



Lid Stay

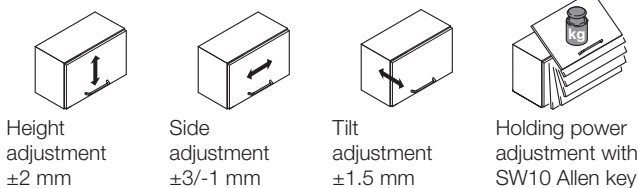
Maxi-Touch 3675

For One-Piece Flaps Without Handle
With Push to Open Operation

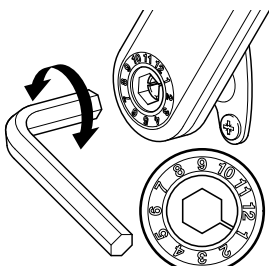


- Opening Angle: 75°, 90° or 110°
- Material: Stay: Zinc alloy
Mounting bracket and screw-on bracket: Steel
Cover caps and adjusting screw: Plastic
- Finish: Nickel plated
Cover cap: Grey
- Colour: Model A: Grey
Model B: Beige
Model C: White
Model D: Black
- Version: With power assisted opening
- Mounting: Suitable for left hand and right hand use
- Installation: Without tools (clip system) onto pre-mounted mounting bracket
- Distance from edge: 37 mm

Adjustment Facility



Adjusting the Braking Effect



Maxi-Touch 3675 Fitting Set

For One-Piece Flaps

- Area of Application: For timber flaps or flaps with 45 mm aluminium frame
- Distance from Edge: 37 mm

Measurement Table for Max. Flap Weight

	Model	Flap Weight (kg)			
		A	B	C	D
75°	Flap Height (mm)	Flap Weight (kg)			
	300	2 - 3.8	4 - 7.7	7 - 14	-
	400	1.6 - 3.1	3 - 6.3	5 - 11.5	7 - 12.5
	500	1.3 - 2.5	2.7 - 5.2	4.7 - 8.4	5.5 - 10.5
	600	-	2.4 - 4.5	4.3 - 7.8	4.7 - 8.4
	700	-	2.2 - 4	4 - 7.5	4.3 - 8
	800	-	-	3.6 - 6.2	3.9 - 7.3
90°	900	-	-	3.4 - 5.8	3.5 - 6.7
	300	2 - 3.5	3.3 - 6.7	6 - 10.3	7.8 - 13.6
	400	1.5 - 2.6	2.5 - 5	5.5 - 7.8	3.8 - 10.2
	500	1.2 - 2.1	2 - 4	3.6 - 6.3	4.7 - 8.2
	600	1 - 1.8	1.7 - 3.3	3 - 5.2	3.9 - 6.8
	700	0.9 - 1.4	1.4 - 2.7	2.5 - 4.3	3.2 - 5.7
	800	0.7 - 1.3	1.2 - 2.6	2.2 - 3.9	2.9 - 5.1
	900	0.7 - 1.2	1.1 - 2.2	2 - 3.4	2.6 - 4.5
	1000	0.6 - 1	1 - 2	1.8 - 3.1	2.4 - 4.1
	110°	300	1.2 - 2.9	2.6 - 5.5	4.6 - 9.5
400		0.9 - 2.2	2 - 4.4	3.8 - 7	4.6 - 8.7
500		0.7 - 1.8	1.7 - 3.4	3.1 - 5.8	3.7 - 6.5
600		-	1.4 - 3	2.6 - 4.7	3.1 - 5.8
700		-	-	2.3 - 4.1	2.8 - 4.5
800		-	-	2 - 3.8	2.4 - 4.1
900		-	-	-	2.1 - 3.9
1000		-	-	-	1.8 - 3.7

Model	Cat. No.
A	373.69.512
B	373.69.412
C	373.69.712
D	373.69.312

Packing: 1 piece

Supplied with

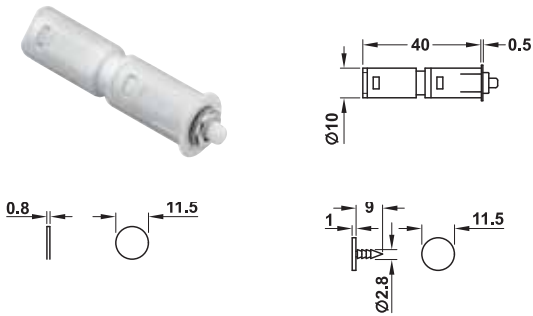
- 1 Lid stay
- 1 Mounting bracket for cabinet
- 1 Mounting bracket for timber flap or 45 mm wide aluminium frame
- Installation instructions



Note:
The Maxi Touch opening fitting requires Maxi 3675 fitting set, magnetic door catch and mounting adaptor.
The weight specification applies to one Maxi-Touch fitting.
Order two Maxi-Touch fittings for flap widths from 600 mm and above.

Lid Stay

Maxi-Touch Door Catch With Magnetic Release

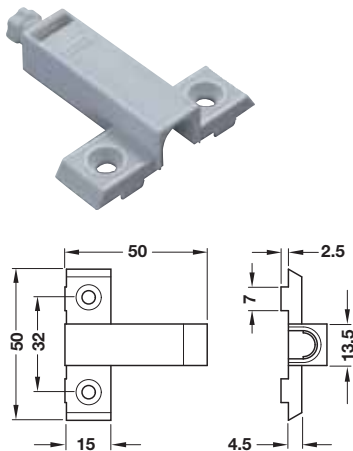


- Material: Release catch: Plastic
Retaining catch: Steel, nickel plated
- Finish: Beige or grey
- Mounting Method: Release catch: Drill into carcass or use screw fix mounting adaptor
Retaining catch: Knock in or self adhesive

Finish	Fixing Method	Cat. No.
Beige	Knock in retaining catch	356.06.401
	Adhesive retaining catch	356.06.402
Grey	Knock in retaining catch	356.06.501
	Adhesive retaining catch	356.06.502

Packing: 1 and 250 pieces

Adjustable Mounting Adaptor For Maxi-Touch Door Catch



- Features: Adjustable with assembly stop device
- Material: Plastic
- Mounting method: Screw fixing

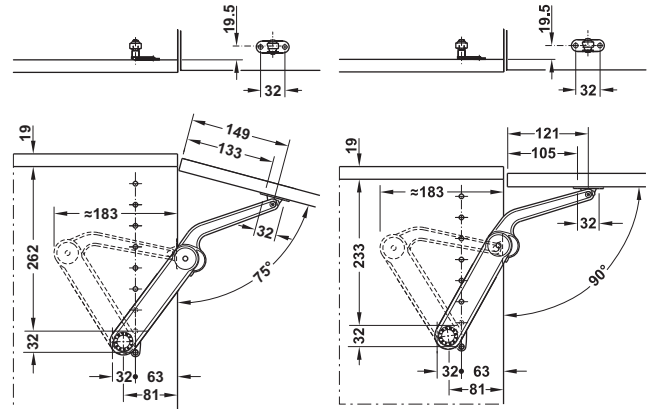
Finish	Cat. No.
Beige	356.06.430
Grey	356.06.530

Packing: 1 and 500 pieces

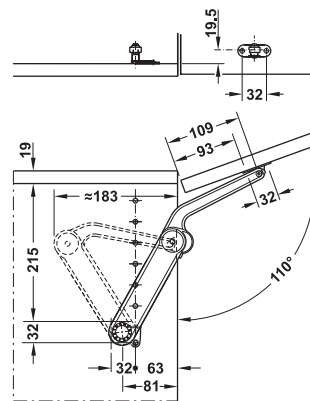
Maxi-Touch 3675 Installation

With Opening Angle 75°

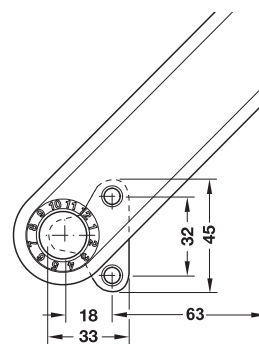
With Opening Angle 90°



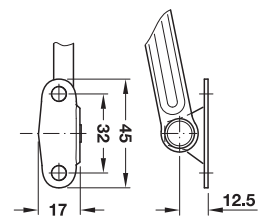
With Opening Angle 110°



Mounting Bracket Dimensions



- Locks the flap reliably in any position and lets it gently slide downwards
- Opening: A gentle push opens the flap slightly
Closing: The flap is pushed back into the cabinet
- Stay closed feature: Magnet in the opening fitting and counterplate on the flap
- Handle drilling not required



Flap Fitting

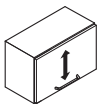
Maxi Up 3675

Chest Fitting for Timber Lids

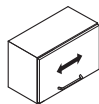


- Area of Application: For timber lids on chests
- Opening Angle: Approx. 75°
- Material: Stay: Zinc alloy
Mounting bracket and screw-on bracket: Steel
Cover caps and adjusting screw: Plastic
- Finish: Nickel plated
Cover cap: Grey
- Colour: Model F: Blue
Model G: Brown
Model H: Black
- Installation: Without tools (clip system) onto pre-mounted mounting bracket

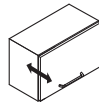
Adjustment Facility



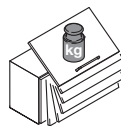
Height adjustment
±2 mm



Side adjustment
±3/-1 mm

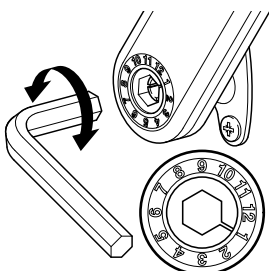


Tilt adjustment
±1.5 mm



Holding power adjustment

Adjusting the Braking Effect



Maxi Up Lid Stay, Arm Only

Sample Measurement Table for Max. Flap Weight

Model	F	G	H
Flap Height (mm)	Flap Weight (kg)		
1 Flap Fitting			
400	1.6 - 3.1	3 - 5.3	5.2 - 9.4
500	1.3 - 2.6	2.5 - 4.2	4.3 - 7.5
600	1.1 - 2.5	2.3 - 4.2	4 - 6.7
2 Flap Fittings			
400	3.2 - 6.2	6.6 - 10.6	10.4 - 18.8
500	2.6 - 5.2	5 - 8.4	8.6 - 15
600	2.2 - 5	4.6 - 8.4	8 - 13.4

Model	Colour	Cat. No.
F	Blue	373.85.700
G	Brown	373.85.701
H	Black	373.85.702

Packing: 1 piece

04

Flap Fitting

Maxi Up 3675 Accessories Cabinet Mounting Bracket



- Area of Application: For mounting the lid stay to the cabinet
- Material: Steel
- Finish: Nickel plated

	Cat. No.
For edge distance (cabinet) 37 or 63 mm	373.69.906

Packing: 1 piece

Lid Mounting Bracket

For Timber Flaps or Flaps with 45 mm Aluminium Frame

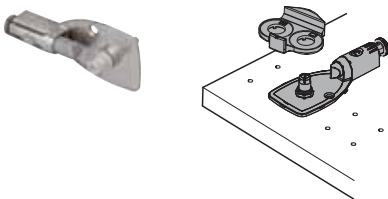


- Area of Application: For mounting the lid stay to the lid
- Material: Steel
- Finish: Nickel plated
- Installation: With slide-on-clip (for quick fixing), for chipboard screws

	Cat. No.
	373.69.912

Packing: 1 piece

Soft-Close Mechanism

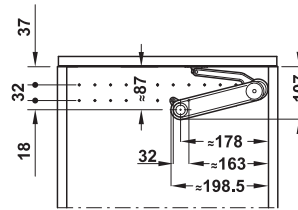
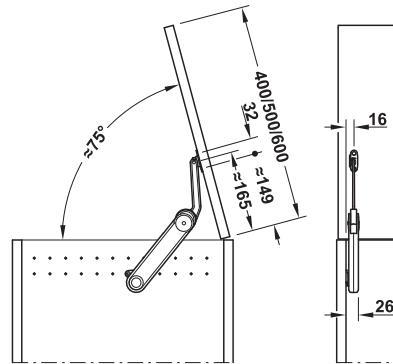


- Material: Zinc alloy
- Finish: Nickel plated

	Cat. No.
	373.69.799

Packing: 1 or 10 pieces

Maxi Up 3675 Installation





HÄFELE AUSTRALIA PTY LTD.

Design Centres

Melbourne Design Centre

T: (03) 9212 2000
F: (03) 9652 3701
E: info@hafele.com.au

Sydney Design Centre

T: (02) 8788 2200
F: (02) 8302 2101
E: nsw@hafele.com.au

Brisbane Design Centre

T: (07) 3344 1533
F: (07) 3253 3701
E: qld@hafele.com.au

Perth Design Centre

T: (08) 9249 3833
F: (08) 9215 6101
E: wa@hafele.com.au

Hobart Design Centre

T: (03) 6331 7106
F: (03) 6334 6414
E: tas@hafele.com.au

State Offices

Victoria (Head Office)

T: (03) 9212 2000
F: (03) 9212 2001
E: info@hafele.com.au

New South Wales

T: (02) 8788 2200
F: (02) 8788 2201
E: nsw@hafele.com.au

A.C.T. & Southern NSW

T: (02) 6202 2800
F: (02) 6228 1418
E: act@hafele.com.au

Northern New South Wales

T: (02) 8788 2200
F: (02) 4921 0901
E: nsw@hafele.com.au

Queensland

T: (07) 3307 8900
F: (07) 3307 8901
E: qld@hafele.com.au

South Australia

T: (08) 8232 9933
F: (08) 8232 9977
E: sa@hafele.com.au

Western Australia / N.T.

T: (08) 9249 3833
F: (08) 9249 3328
E: wa@hafele.com.au

Tasmania

T: (03) 6331 7106
F: (03) 6334 6414
E: tas@hafele.com.au

HÄFELE NEW ZEALAND LTD.

Offices and Design Centres

Auckland Design Centre

T: (09) 274 2530
F: (09) 274 2531
E: architectural@hafele.co.nz

Eastern Design Centre

T: (09) 274 2040
F: (09) 274 2041
E: info@hafele.co.nz

Wellington Design Centre

T: (04) 472 0294
F: (04) 472 0295
E: wellington@hafele.co.nz

Christchurch Design Centre

T: (03) 343 8200
F: (03) 343 8201
E: christchurch@hafele.co.nz

www.hafele.com