



The Mark of Reliability

(Est. 1930)

GE Surgical & Lever Action Tapware



Photo courtesy of the University of Western Australia, WA.

- A robust design **developed over 30 years** to give you confidence GE taps will perform even in the busiest ER.
- **Used in hundreds of health care facilities** around Australia as a safe guard against the spread of bacteria.
- WELS rated to **conserve water and reduce energy costs.**
- **Australian made** and approved to **AS/NZS 3718.**

Commonly used in

- Hospitals
- Aged Care Facilities
- Elderly Housing
- Food Preparation Areas
- Laboratories
- Schools
- Universities
- Commercial Kitchens
- Elderly Housing
- Restaurants
- Fast Food Outlets

Some major projects:

- South Bank Tafe, QLD
- Hollywood Hospital refurbishment, WA
- Nambour Hospital, QLD
- Weller Gardens Nursing Home, QLD
- Dudley Hospital, NSW



WaterMark
AS/NZS 3718 WMKA0034
SAI Global



Photo courtesy of a private residential property.



GALVIN ENGINEERING
www.galvinengineering.com.au

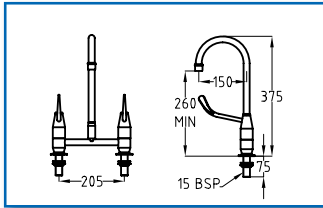


Quality
ISO 9001
SAI GLOBAL

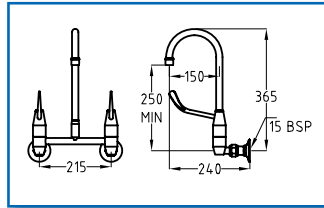


GE Surgical & Lever Action Tapware

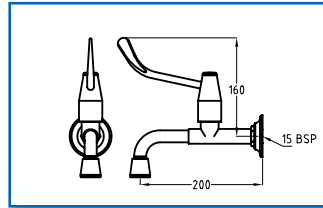
GE Surgical Tapware



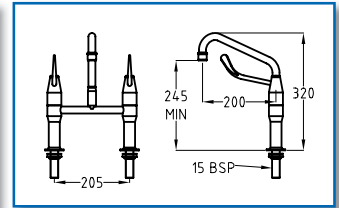
TS50SJ1C - CP lever action surgical basin mixing unit Type 50 (swivel, J/V, aerated nozzle) [5 Star Rating].



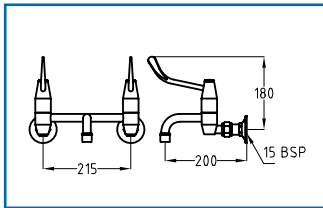
TS51FJ1C - CP lever action surgical wall mtd mixing unit Type 51 (fixed, J/V, aerated nozzle) [5 Star Rating].



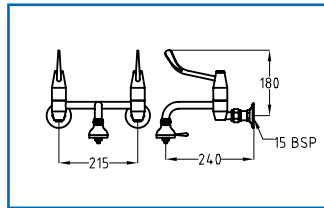
TS54FJ5C - CP lever action surgical wall mtd unit Type 54 (fixed, J/V, fixed spray nozzle) [5 Star Rating].



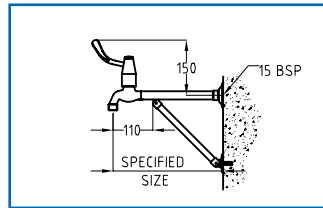
TS55SJ1C - CP lever action surgical basin mixing unit Type 55 (swivel, J/V, aerated nozzle) [5 Star Rating].



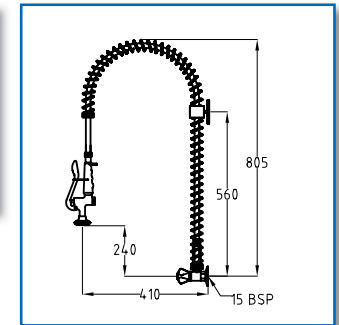
TS56FJ1C - CP lever action surgical wall mtd mixing unit Type 56 (fixed, J/V, aerated nozzle) [5 Star Rating].



TS56.LFJ7C - CP lever action surgical wall mtd mixing unit Type 56: Long (fixed, J/V, adjustable spray nozzle) [5 Star Rating].

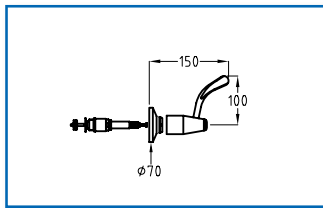


37358 - CP lever action cleaner sink bib tap (with bottom brace) [3 Star Rating].

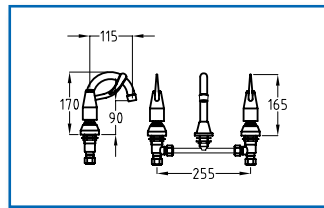


37408 - SS Slophopper hose/spring assembly with trigger spray.

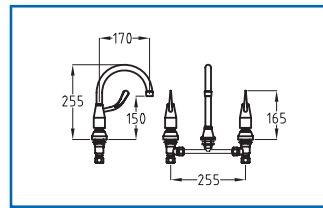
GE Level Action Tapware



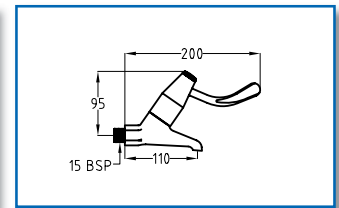
TS60-JCC - CP lever action surgical wall top ass Type 60 (cold, J/V).
TS60-JHC - CP lever action surgical wall top ass Type 60 (hot, J/V).



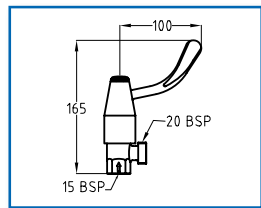
83055 - CP lever action basin set adjustable with gooseneck spout [5 Star Rating].



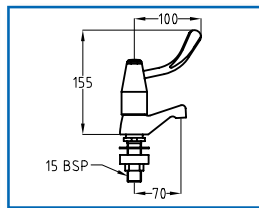
83238 - CP lever action sink set adjustable [5 Star Rating].



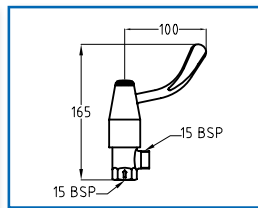
83014 - CP lever action deluxe bib tap cold [3 Star Rating].
83030 - CP Lever action deluxe bib tap hot [3 Star Rating].



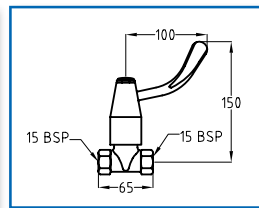
83154 - CP lever action washing machine tap cold.
83170 - CP lever action washing machine tap hot.



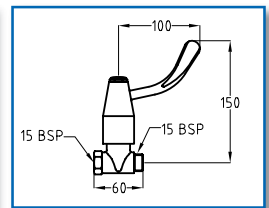
83196 - CP lever action pillar tap cold [3 Star Rating].
83212 - CP lever action pillar tap hot [3 Star Rating].



83253 - CP lever action cistern tap cold.



83295 - CP lever action F&F stop tap cold.
83311 - CP lever action F&F stop tap hot.



83337 - CP lever action M&F stop tap cold.
83352 - CP lever action M&F stop tap hot.

Whilst all reasonable care has been taken in compiling the information in this document, the designs, dimensions and products shown are indicative only and should not be relied upon without our prior approval. Due to our policy of continuous development, we reserve the right to alter any details of specifications or products without notice. All information, drawings, technical specifications and product designs remain the property of Galvin Engineering Pty Ltd.

WA - GE HEAD OFFICE
Phone: 08 9249 5900
Fax: 08 9249 5916

QLD - GE BRANCH
Phone: 07 5540 7467
Fax: 07 5540 7542

NT - RHINO
Phone: 08 8947 3400
Fax: 08 8947 3656

NSW/ACT - GE BRANCH
Phone: 02 9681 1366
Fax: 02 9681 1477

VIC/TAS - GE BRANCH
Phone: 03 9580 6622
Fax: 03 9580 4144

SA - GE BRANCH
Phone: 1800 006 790
Fax: 1800 006 690

GALVIN ENGINEERING PTY LTD

Customised commercial water control products and machined casting services

410 Victoria Road, Malaga, Western Australia, 6090
PO Box 2063, Malaga, Western Australia, 6944
Phone: 61 8 9249 5900 Fax: 61 8 9249 5916

Website: www.galvinengineering.com.au Email: sales@galvinengineering.com.au
ISO9001 certification excludes sites other than Perth

ABN 78 008 719 382 © Galvin Engineering Pty Ltd: 2005 (Issue 11/2008)





The Mark of Reliability

(Est. 1930)

GE ClevaCare Health Care Tapware



- Providing a **safer working environment**.
- Makes bathing the injured and elderly more **comfortable, safer and faster**.
- Meets **Occupational Health and Safety regulations** with patent pending.
- Reduces the risk of cross contamination, therefore **more hygienic**.
- **Winner** of the "Viewers Choice" Award on the ABC's "The New Inventors".
- **Winner** of the 2004 "West Australian Industry Award for Plumbing Products".

Commonly used in:

- Aged Care Facilities
- Nursing Homes
- Medical Centres
- Hospitals
- Domestic Bathrooms

Recent reference projects:

- Wheller Gardens Aged Care, QLD
- Denmark Hospital, WA
- Elderly Australian Chinese Homes, NSW
- Southern Cross Aged Care, SA



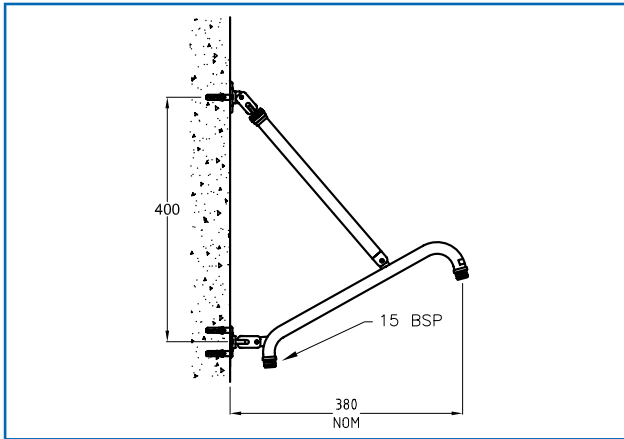
GALVIN ENGINEERING
www.galvinengineering.com.au



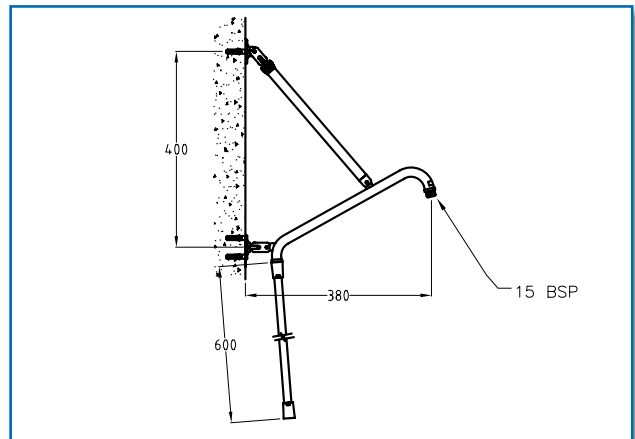
Quality
ISO 9001
SAI GLOBAL



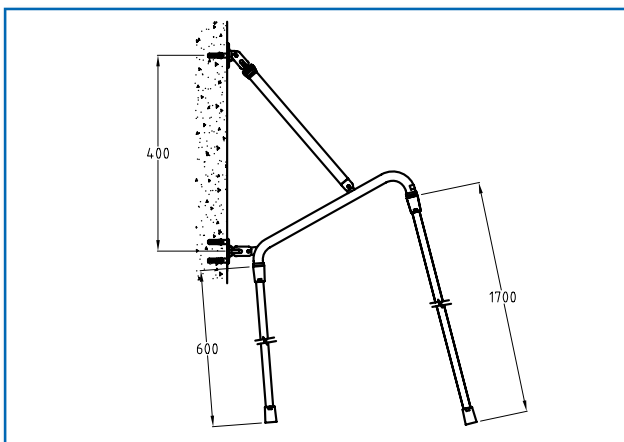
GE ClevaCare Health Care Tapware



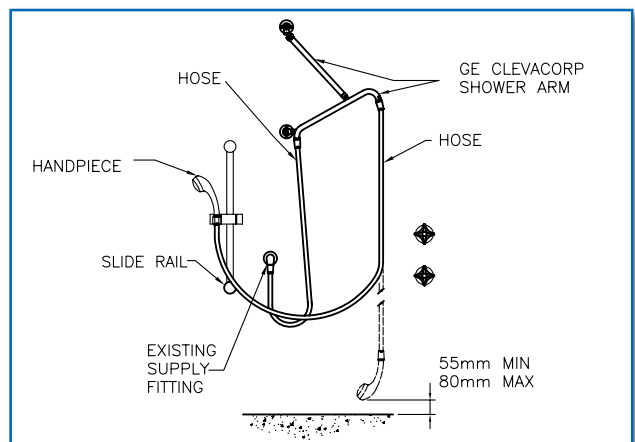
Cleva010 - GE CP ClevaCare Shower Arm (less hose).



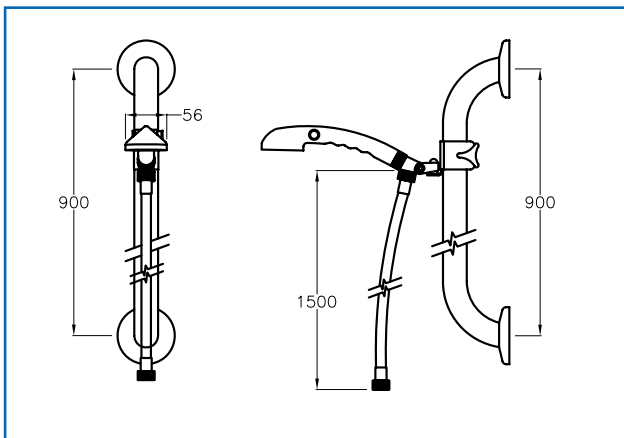
Cleva020 - GE CP ClevaCare Shower Arm with 600 Inlet Hose.



Cleva030 - GE CP ClevaCare Shower Arm with 600mm and 1700mm hose.



ClevaKit010 - GE ClevaCare Shower Arm complete with Medi Flexible Hand Shower and Rail.



- # 41996 - Medi Flexible Hand Shower with 600 x 32 S/S Grab Rail.
- # 41997 - Medi Flexible Hand Shower with 750 x 32 S/S Grab Rail.
- # 41999 - Medi Flexible Hand Shower with 900 x 32 S/S Grab Rail.



Picture showing # ClevaKit010 installed at the Independent Living Centre.

Whilst all reasonable care has been taken in compiling the information in this document, the designs, dimensions and products shown are indicative only and should not be relied upon without our prior approval. Due to our policy of continuous development, we reserve the right to alter any details of specifications or products without notice. All information, drawings, technical specifications and product designs remain the property of Galvin Engineering Pty Ltd.

WA - GE HEAD OFFICE
 Phone: 08 9249 5900
 Fax: 08 9249 5916

QLD - GE BRANCH
 Phone: 07 5540 7467
 Fax: 07 5540 7542

NT - RHINO
 Phone: 08 8947 3400
 Fax: 08 8947 3656

NSW/ACT - GE BRANCH
 Phone: 02 9681 1366
 Fax: 02 9681 1477

VIC/TAS - GE BRANCH
 Phone: 03 9580 6622
 Fax: 03 9580 4144

SA - GE BRANCH
 Phone: 1800 006 790
 Fax: 1800 006 690

GALVIN ENGINEERING PTY LTD

Customised commercial water control products and machined casting services

410 Victoria Road, Malaga, Western Australia, 6090
 PO Box 2063, Malaga, Western Australia, 6944
 Phone: 61 8 9249 5900 Fax: 61 8 9249 5916

Website: www.galvinengineering.com.au Email: sales@galvinengineering.com.au
 ISO9001 certification excludes sites other than Perth

ABN 78 008 719 382 © Galvin Engineering Pty Ltd: 2005 (Issue 11/2008)

