



strength style endurance

# Contents

|   |              |
|---|--------------|
| <b>ABOUT markilux®</b>  | <b>p.02</b>  |
| <b>FOLDING ARM AWNINGS</b>  | <b>p.04</b>  |
| markilux® ES-1  |              |
| <b>CASSETTE AWNINGS</b>   | <b>p.06</b>  |
| markilux® 6000 Uber Cocoon<br>markilux® 5005 Cocoon<br>markilux® 915 Kinder Cocoon<br>markilux® 3300 Cube   |              |
| <b>SEMI-CASSETTE AWNINGS</b>  | <b>p.013</b> |
| markilux® 1600 Pavilion 2<br>markilux® 1500/1600 Jellybean<br>markilux® 1550 Jellybean Lifestyle  |              |
| <b>CLASSIC STYLE AWNINGS</b>  | <b>p.018</b> |
| markilux® 1200 Classic<br>markilux® 1100/1300 Classic   |              |
| <b>CONSERVATORY AWNINGS</b>   | <b>p.020</b> |
| markilux® 8500 Conservatory<br>markilux® 8000 Conservatory<br>markilux® 780/880 Kinder Conservatory<br>markilux® 889 Under Glass Conservatory<br>markilux® Roof Festoon           |              |
| <b>WINDOW AWNINGS</b>   | <b>p.026</b> |
| <b>STRAIGHT DROP CASSETTE AWNINGS – CUBES/TUBES</b>   | <b>p.028</b> |
| markilux® 710/810 – with guide wires<br>markilux® 720/820 – with guide track<br>markilux® 750/850 – with stainless-steel guide rods<br>markilux® 760/860 – with tensioning tracks |              |
| <b>DROP ARM CASSETTE AWNINGS – CUBES/TUBES</b>  | <b>p.030</b> |
| markilux® 730/830 – with piston arms<br>markilux® 791/891 – with autolift arms<br>markilux® Markisolette 740/840  |              |
| <b>TRIANGULAR CASSETTE AWNINGS – TUBE</b>   | <b>p.032</b> |
| markilux® 893   |              |
| <b>OPERATION AND AUTOMATION</b>   | <b>p.033</b> |
| <b>ACCESSORIES</b>  | <b>p.034</b> |
| markilux® 790 side screen, markilux® 75 The Swinger<br>markilux® Shadeplus®, Pitch Adjustment Gear (PAG)<br>markilux® Heater  |              |
| <b>SWELA® FABRICS</b>   | <b>p.036</b> |
| <b>GLOSSARY</b>   | <b>p.038</b> |

# About markilux®

## **markilux — in a class of its own.**

markilux represents the ultimate in external sun shading systems. With more than 30 years' experience in technical research and innovation, markilux has become the world leader in awning mechanisms and textiles. Designed and manufactured in Germany using cutting-edge technology and stringent quality assurance, markilux offers the largest selection of high-quality external awning systems in Australia.



Winning numerous European design awards, innovation is at the heart of markilux. First to produce the self-cleaning fabric, Swela SNC, first to develop a new folding-arm element, the bionic tendon, giving more strength and durability than any other awning on the market and the only manufacturer in the world to have developed the ultimate, ES-1 awning, in austenitic marine grade stainless-steel – it's easy to see why markilux is simply the best.

Catering specifically to Australia's climate and Australians' love of outdoor living, a markilux custom-made folding-arm, conservatory and window awning is designed to meld, stylishly and efficiently with its surroundings.

More than simply a shade system, markilux awnings are the epitome of German precision engineering and design, combining superior strength and functionality with aesthetic style and beauty.

## **Function**

### **markilux delivers everything it promises.**

Ideal for all types of residential and commercial applications, markilux awnings will enhance and extend any living space. Whether you wish to transform a courtyard, balcony, conservatory, improve the appearance of a window or create additional privacy, a custom-made markilux awning will enable you to live beyond your internal space.

Particularly well suited to the harsh Australian climate, markilux awnings are energy efficient – keeping homes cool and protecting interiors from the sun. Made from the highest quality corrosion-resistant materials, markilux awnings easily withstand the debilitating sea air and city pollutants.

Whether manual in operation or fully automated, all markilux awnings are easy to use and maintain. Optional Somfy automatic and sensor control systems react to sunlight, wind and rain, providing seasonal protection for your awning.



### Material

#### markilux awnings are as sleek as they are strong.

Featuring superior strength and durability, every markilux awning uses only drop-forged, joint and moulded components made of aluminium or steel. All cassette and front profiles, cover boards, roller supports and fixture brackets are made from the highest grade of aluminium extrusion. The sturdy, non-twist, galvanized and powder-coated steel torque bars, with Teflon-coated bronze bushes, oversized roller tubes and aluminium or steel arms ensure optimum durability and performance.

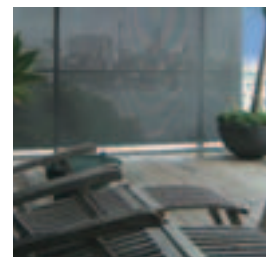
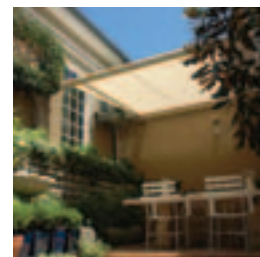
Magnificent when both extended and retracted.

markilux awnings retract into slimline cassettes, ensuring minimal impact upon existing facades. Customised colours, finishes and fabrics complement your external design.

### Design

#### The best, guaranteed and designed just for you.

With a premium choice of 27 awning systems, over 205 Du Pont RAL powder-coated frame colours in semi-gloss and metallic finishes, more than 160 fabric colours and patterns, dynamic accessories and fully automated possibilities, a markilux awning will be tailored to your exact specifications.



markilux awnings also have the ability to add lavish yet functional inclusions, such as halogen lighting that can feature up to five 12-volt down lights, with a switch, functional dimmer and remote control operation. Why not warm to the new radiant integrated heating module on the cooler evenings. Yet another way to ensure you live and entertain better with your markilux.

markilux offer a five-year guarantee on all markilux awnings. When investing in a markilux awning, you are guaranteed a low-maintenance awning for life.

**markilux – why compromise?**

FOLDING-ARM AWNINGS

# markilux<sup>®</sup> ES-1

**Top of the range award-winning awning made from austenitic stainless-steel.**

The markilux ES-1 is a leading example of precision German engineering, displaying the optimum harmony of material, design and function. As flagship of the markilux range, the ES-1 is arguably the most aesthetically pleasing and desirable awning on the market. Favoured by architects, designers, specifiers and the style connoisseur, the ES-1's sharp lines and striking beauty complement contemporary architecture.

**markilux ES-1 – go beyond the standard.**



## Features

- Innovative design – brushed finish austenitic V4A, marine-grade stainless-steel
- Ideally suited for locations affected by city pollutants or aggressive sea air
- Concealed elliptical cassette design, providing a sleek, streamlined appearance
- Teflon-coated, bronze bushes ensure the arms run smoothly
- Designer arms using the perfected gas-piston technique ensure taut fabric cover throughout all extensions and retraction positions
- The sturdy 50mm torque bar withstands twisting and bowing and the 95mm roller tube ensures a square and taut fabric cover
- Somfy remote control operation is standard
- Pitch can be set between 5°-30°



AUTOMATION



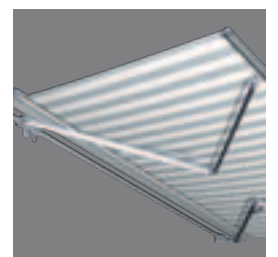
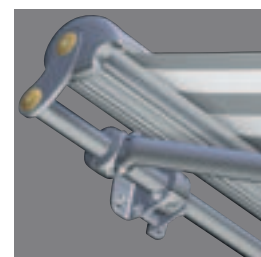
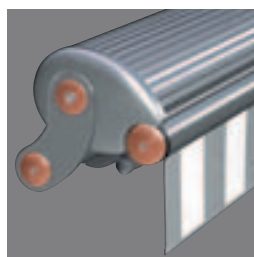
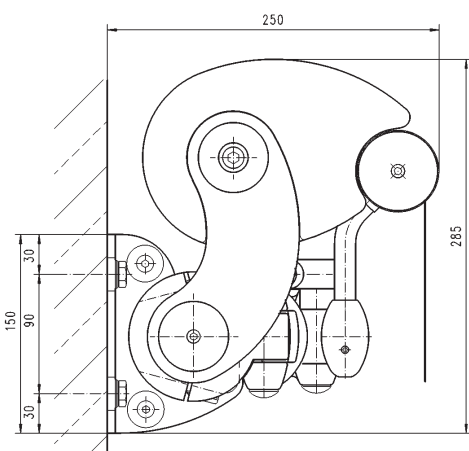
MOTORISATION



HEATER



UV PROTECTION



**Dimensions**

- Maximum width of 6.5m
- Extension up to 3.5m

**Options**

- Somfy automatic controls and sensors
- Accessories include feature end caps, available in copper, brass or stainless steel
- Integrated infrared radiant heating module

CASSETTE AWNINGS

# markilux® 6000 Über Cocoon



**The next generation in sun shading.**

Committed to being the market leader in awning technology and innovation, markilux has developed the new 6000 Über Cocoon. This prize-winning awning is equipped with technical innovations that set new standards in design, quality and durability for sun shading. The 6000 Über Cocoon is available in three distinct lines Club, Studio and Lounge that complement various styles in architecture.



## Features

- Bionic Tendon - New folding-arm element manufactured using exceptionally stable and strong blend of two manmade woven fibres, enabling a tensile strength up to 15 times greater than steel
- Stress-tested to over 50,000 movements without any signs of stress, wear, tear or fatigue – used daily, that is a lifespan of more than 50 years
- Extreme strength, able to bear more than 10,000 Newtons of tensile force. At around one tonne, this is the equivalent to the weight of a small car
- Tendon optimises the transmission of force from the arm joint to the front profile which in turn improves the fabric cover tension
- All moving joints are solidified drop-forged aluminium and arm profiles are made of 4mm aluminium extrusion, providing extreme strength
- Ensures friction-free, noiseless bending of the arms
- Highly tear-resistant, durable and maintenance free
- Strong, oversized 85mm roller tube ensures cover rolls evenly, preventing sagging
- Standard operation is manual with a 5:1 ratio gearbox and a removable, stainless-steel winding handle
- Modular Clip-on Accessory 'Lifestyle' System - tailors the optional functions to individual requirements



HEATER



UV PROTECTION



AUTOMATION



LIGHTING



MOTORISATION

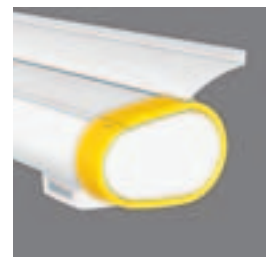
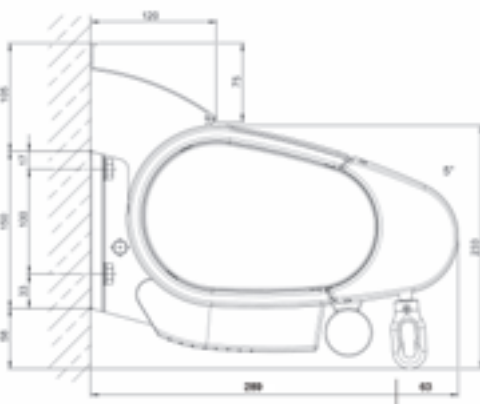


SHADEPLUS\*

**Club – vibrancy and freshness.** The cassette is available in white powder-coated aluminium with the choice of colourful end-caps in blue, yellow and red.

**Studio – modern and timeless style.** This line of cassettes is powder-coated in an aluminium colour and accented by various coloured end caps.

**Lounge – refined and classic.** A range with more subdued tones which utilises anthracite, stainless steel webbing, wood, black and polished chrome. The Lounge features a new powdercoating technology called 'nano-coating', which creates a self-cleaning property. Particles of dirt are unable to adhere to the surface allowing rainwater to simply wash it away.



### Dimensions

- Maximum width of 7.0m
- Extension up to 4.0m
- Custom-made awnings up to 14.0m wide, with the inclusion of a junction roller and split covers

### Options

- Servo assisted gear box
- Somfy motorisation with remote and automatic controls and sensors
- Shadeplus® – manual or motorised extendable drop valance
- Fluorescent Tubular and LED lighting system modules
- Integrated infrared radiant heating module



CASSETTE AWNINGS

# markilux® 5005 Cocoon

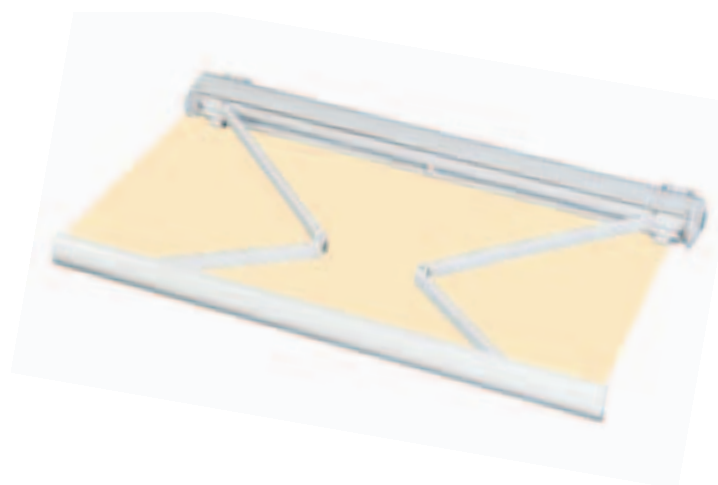
**Sleek, discreet and very chic.**

The markilux 5005 Cocoon is elegantly designed and robust. This fully enclosed cassette is stylishly contoured, with the retracted awning fitting neatly into the elliptical cassette profile. This awning is supremely strong and stable, and is ideally suited to both residential and commercial applications.



## Features

- Fabric and arms are completely protected in the slender 150mm-deep, fully enclosed cassette
- All moving joints are solidified drop-forged aluminium and arm profiles are made of 4mm aluminium extrusion, providing extreme strength
- Corrosion-resistant and wear-free, twin chain-linked, spring-tensioned arms
- Teflon-coated, bronze bushes ensure the arms run smoothly
- Screws and fittings are corrosion-resistant stainless-steel
- Strong, oversized 85mm roller ensures the fabric cover rolls up evenly, preventing sagging
- Pitch can be set between 0° and 85°
- Integrated gutter within the front profile provides drainage\*
- Elegantly engineered wall brackets ensure ultimate stability
- Manual operation with a 5:1 ratio gearbox with a removable stainless-steel winding handle



AUTOMATION



MOTORISATION



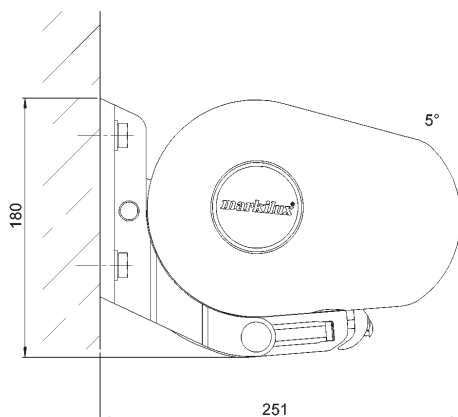
SHADEPLUS®



HEATER



UV PROTECTION



### Dimensions

- Maximum width of 7.0m (single unit)
- Extension up to 4.0m
- Custom-made awnings up to 21.0m wide with a one piece cover or junction rollers

### Options

- Servo assisted gearbox
- Somfy motorisation with remote and automatic controls and sensors
- Shadeplus® extendable drop-down valance
- Accessories include wall sealing profile
- Integrated infrared radiant heating module

CASSETTE AWNINGS

# markilux<sup>®</sup> 915 Kinder Cocoon

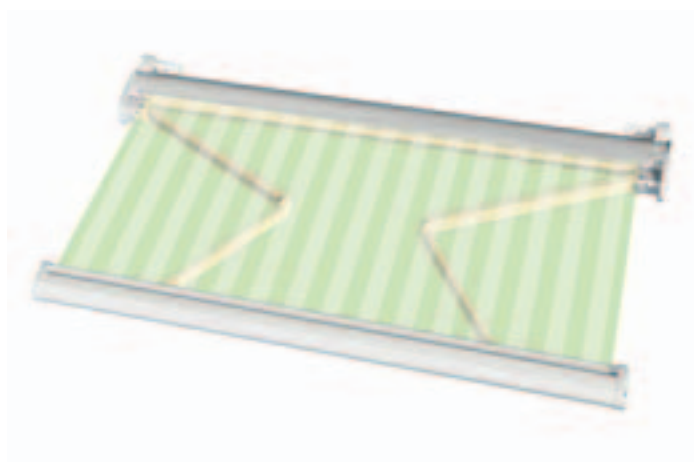
**Compact, lightweight and stylish.**

The markilux 915 Kinder Cocoon is practical and very robust. A simple and lightweight awning, the compact cassette of the 915 Kinder Cocoon and the torque-free design make it functional and elegant. The 915 Kinder Cocoon is ideally suited to small courtyards and balconies.



## Features

- Smooth, clean and uncluttered lines provide style and elegance
- The awning is completely enclosed within a slender 125mm deep cassette
- All moving joints are solidified drop-forged aluminium and arm profiles are made of 4mm aluminium extrusion, providing extreme strength
- Corrosion-resistant and wear-free, single chain-linked, spring-tensioned arms
- Teflon-coated, bronze bushes also ensure the arms run smoothly
- Screws and fittings are made of corrosion-resistant stainless-steel
- Strong, oversized 85mm roller tube ensures the fabric rolls up evenly with every retraction, preventing sagging
- Pitch can be set between 0° and 35° – alternatively a pitch of 70° is possible with top fixture installation
- Integrated gutter within the front profile provides drainage\*
- Torque-bar-free design where installation brackets are mounted at the ends of awning
- Manual operation with a 5:1 ratio gearbox and a removable, stainless-steel removable winding handle



AUTOMATION



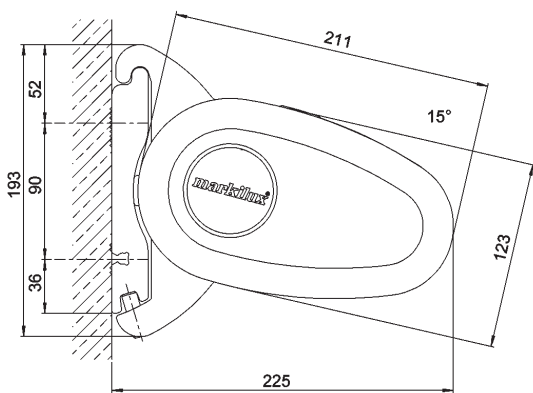
MOTORISATION



HEATER



UV PROTECTION



### Dimensions

- Maximum widths of 6.0m
- Extensions up to 3.0m

### Options

- Servo assisted gearbox
- Somfy motorisation with remote and automatic controls and sensors
- Accessories include wall sealing profile and fabric valance
- Integrated infrared radiant heating module

## CASSETTE AWNINGS

## markilux® 3300 Cube

**Robust and compact box cassette awning made from a one-piece extrusion.**

The robust square cassette makes the markilux 3300 Cube a favourite among commercial applications. The 3300 Cube has been designed to interface and meld with many façades, providing a clean and unobtrusive appearance. Ideally suited to private courtyards, patios, decks as well as alfresco dining areas for cafés, restaurants and clubs.

**Features**

- The patented wind-lock mechanism ensures a high degree of stability in strong winds and a specially designed tilting mechanism enables the awning to be completely enclosed when retracted
- Corrosion-resistant and wear-free, twin chain-linked, spring-tensioned arms
- Teflon-coated, bronze bushes ensure the arms run smoothly
- All moving joints are solidified drop-forged aluminium and arm profiles are made of 4mm aluminium extrusion, providing extreme strength
- Pitch can be set between 0° and 35°
- The double-gutter system drains rain in both the extended and retracted positions\*
- Manufactured from a one-piece aluminium extrusion, offering total year-round protection and supreme strength and stability
- Manual operation with a 5:1 ratio gearbox and a removable stainless-steel winding handle



AUTOMATION



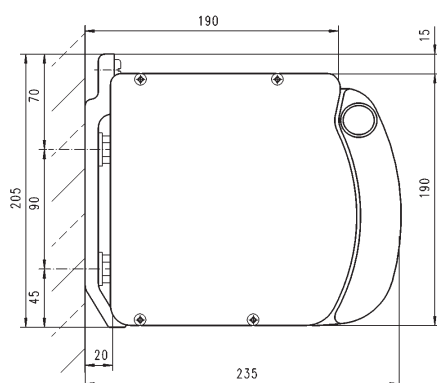
MOTORISATION



HEATER



UV PROTECTION

**Dimensions**

- Maximum width of 7.0m (single unit)
- Extensions up to 3.5m
- Custom-made up to 21.0m wide with a one-piece cover

**Options**

- Servo assisted gearbox
- Somfy motorisation with remote and automatic controls and sensors
- Accessories include wall sealing profile, fabric valance and removable side blind
- Integrated infrared radiant heating module

## SEMI-CASSETTE AWNINGS

# markilux® 1600 Pavilion 2

**Outstanding new technology, gable shaped for large shade areas and excellent water drainage.**

The markilux 1600 Pavilion 2 is the innovative choice – guaranteeing protection from the sun and rain. It is the first awning in the world to transform into a gable, mimicking the trajectory of the sun, giving more shade when and where you need it. Even with a pitch of 0°, the markilux Pavilion 2 guarantees a water run-off of 100%, as the clever gabled design ensures rainwater falls easily off the awning cover. It is ideally suited to low-fixture heights requiring large extensions.



## Features

- Modelled on the same design principles and structure as the markilux 1600 Jellybean
- Front profile is equipped with an innovative joint mechanism, which allows the awning to be transformed into a gable by using a simple grip handle
- The solid joint and gas-piston tensioned mechanism in the centre of the front profile is pushed upwards to form and hold the gabled shape
- Corrosion-resistant and wear-free, twin chain-linked, spring-tensioned arms
- Teflon-coated bronze bushes ensure the arms run smoothly
- All moving joints are solidified drop-forged aluminium and arm profiles are made of 4mm aluminium extrusion, providing extreme strength
- Integrated brush system sweeps loose debris from fabric, ensuring the fabric cover remains clean
- Manual operation with a 5:1 ratio gearbox and a removable, stainless-steel winding handle



AUTOMATION



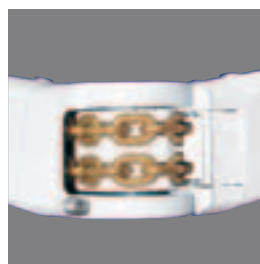
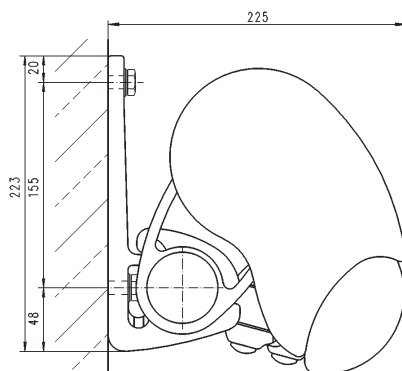
MOTORISATION



HEATER



UV PROTECTION



## Dimensions

- Maximum width of 6.6m
- Extension up to 3.5m

## Options

- Servo assisted gearbox
- Somfy motorisation with remote and automatic controls and sensors
- Accessories include wall sealing profile, removable side blind and coloured end caps
- Integrated infrared radiant heating module

SEMI-CASSETTE AWNINGS

# markilux® 1500/1600 Jellybean

**International award winning design - the ultimate in function, style and choice.**

The markilux 1500/1600 Jellybean is one of the most popular awnings within in the markilux range. The brilliant style of this semi-cassette awning has been distinguished with an international iF Product Design Award, recognising its proven technology and superior design.



## Features

- **1500 model** – Attractive, oval shaped arms with gas-primed pistons keep the cover particularly taut during all extensions
- **1600 model** – Corrosion-resistant and wear-free, twin steel-linked, chain-linked, spring-tensioned arms
- An integrated brush system sweeps loose debris from fabric, ensuring the fabric cover remains clean
- Dynamic, smooth finishing of the cover board gives the unit the appearance of a cassette awning
- Strong 50mm round steel torque bar prevents twisting and bowing
- Strong, oversized 85mm roller tube ensures the cover rolls up evenly, preventing sagging
- All moving joints are solidified drop-forged aluminium
- Pitch of the awning can be set between 0° and 50°
- Standard operation is manual with a 5:1 ratio servo assisted gearbox (1500 only, optional for 1600) and removable, stainless-steel winding handle
- Discuss which model (1500 or 1600) is best suited to your application with your markilux specialist



AUTOMATION



MOTORISATION



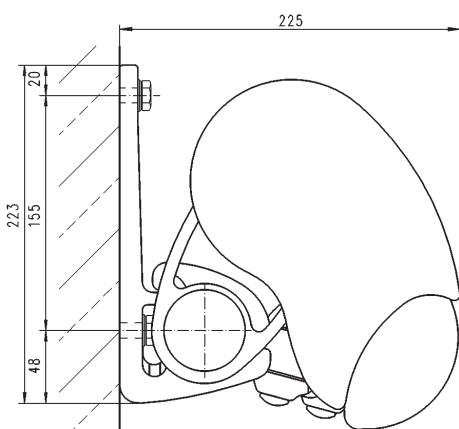
SHADEPLUS®



HEATER



UV PROTECTION



### Dimensions

- Maximum width of 6.6m
- Maximum extension of up to 3.5m (1500) and up to 4.0m (1600)
- Custom-made awnings up to 13.0m wide, with the a junction roller and split covers

### Options

- Servo assisted gearbox (1600)
- Somfy motorisation with remote and automatic controls and sensors
- Shadeplus® – manual or motorised extendable drop valance (1500 only)
- Accessories include wall sealing profile, fabric valance, removable side blind and coloured end caps
- Integrated infrared radiant heating module





SEMI-CASSETTE AWNINGS

# markilux® 1550 Jellybean Lifestyle

**Award-winning awning featuring integrated low-voltage halogen lighting.**

Displaying similar characteristics to the markilux 1500 Jellybean semi-cassette awning, the markilux 1550 Jellybean Lifestyle is fitted with up to five, 12-volt, swivelling, halogen downlights. This iF Product Design Award awning has been widely installed in cafes, restaurants and homes. Create the perfect ambience for romantic evenings, alfresco dining and entertaining.



## Features

- Lights are completely integrated within the front profile
- The 12-volt, 35 watt halogen downlights can be tilted through 90°
- Lighting can be controlled by either a wall switch or remote control, with the addition of a dimmer function
- Attractive, oval-shaped arms with gas-primed pistons keep the fabric cover taut
- The 50mm round steel torque bar prevents twisting and bowing, ensuring stability
- The oversized 85mm roller tube ensures cover rolls evenly, preventing sagging
- All moving joints are solidified drop-forged aluminium
- The dynamic, smooth finishing of the cover board gives the unit the appearance of a cassette awning, with no gaps or overhang when retracted
- The integrated brush system sweeps loose debris from fabric, ensuring the fabric cover remains clean
- Pitch of the awning can be set between 0° and 50°
- Standard operation is manual with a 5:1 ratio gearbox and removable, stainless-steel winding handle
- Three lights up to 4.1m wide
- Five lights from 4.1m wide



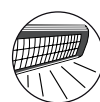
AUTOMATION



MOTORISATION



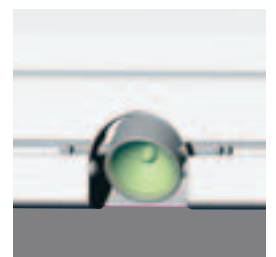
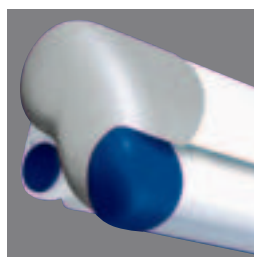
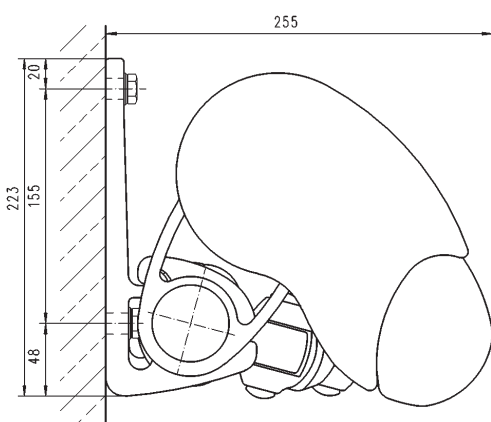
LIGHTING



HEATER



UV PROTECTION



**Dimensions**

- Maximum width of 6.6m
- Maximum extension of up to 3.5m
- Custom-made awnings up to 13.0m wide with the inclusion of a junction roller and split covers

**Options**

- Somfy motorisation with remote and automatic controls and sensors
- Accessories include wall-sealing profile, removable side blind and coloured end caps
- Integrated infrared radiant heating module



## CLASSIC STYLE AWNINGS

# markilux® 1200 Classic Cassette

**A new cassette folding-arm awning with all the charm of a classic design.**

These classic style awnings raise the bar on entry-level standards through innovation in design and technology. Featuring the markilux trademark high-quality components and specialised fabrics, and utilise extra strong torque bars, fixture brackets and aluminium or steel arms, with a concealed stylish cassette.



## Features

- Corrosion-resistant and wear-free, chain-linked, spring-tensioned arms
- The strong, oversized 85mm roller tube ensures the fabric cover rolls up evenly, preventing sagging
- All moving joints are solidified drop-forged aluminium and arm profiles are made of 4mm aluminium extrusion, providing extreme strength
- Strong 50mm round steel torque bar prevents twisting and bowing
- Front profile has integrated gutter and spouts
- Standard operation is manual with a 5:1 ratio gearbox and a removable stainless-steel winding handle
- Straight, scalloped or custom-designed valance



AUTOMATION



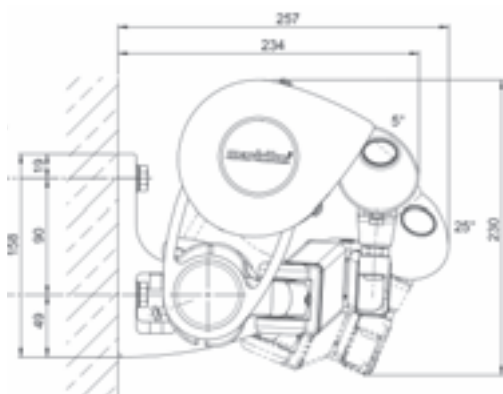
MOTORISATION



UV PROTECTION



HEATER



## Dimensions

- Maximum width of 7.0m
- Maximum extension up to 3.5m
- Custom-made awnings up to 14.0m wide with a junction roller

## Options

- Servo assisted gearbox
- Somfy motorisation with remote and automatic controls and sensors
- Accessories include wall sealing profile
- Integrated infrared radiant heating module

CLASSIC STYLE AWNINGS

# markilux® 1100/1300 Classic Open

The classic open-style folding-arm awning – contemporary design and markilux gas-primed piston arm technology.

An open-style awning system that is practical, economical and a perfect solution to providing a balcony or patio with shade – ideally suited to both domestic and commercial applications.



## Features

- **1100 Model** – Attractive, oval-shaped arms with gas-primed pistons keep the cover particularly taut during all extensions
- **1300 Model** – Corrosion resistant and wear-free single chain linked, spring-tensioned arm
- The strong, oversized 85mm roller tube ensures the cover rolls up evenly with every retraction, preventing sagging
- Offers markilux excellence in engineering at an affordable price
- Rain gutters and side water-spouts are integrated into the aluminium front profile
- Standard operation is manual with a 5:1 ratio servo assisted gearbox and removable, stainless-steel winding handle (1100 only, optional for 1300)
- Straight, scalloped or custom-designed valance

**“The Little Big”** – A specialist folding-arm technology, that allows the markilux 1300 classic awning to have a greater projection than width, making it ideal for narrow and long terraces or decks.



AUTOMATION



MOTORISATION



SHADEPLUS®



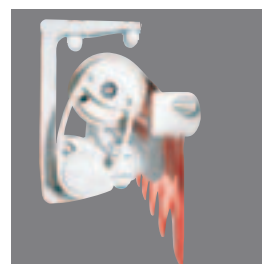
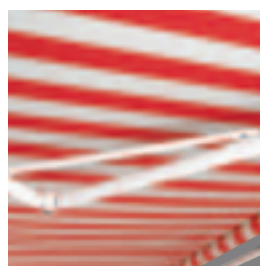
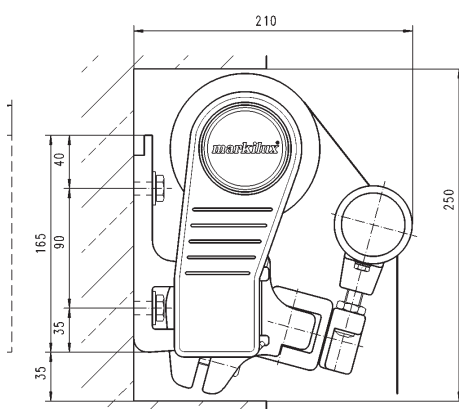
HEATER



UV PROTECTION



"LITTLE BIG"



## Dimensions

- Maximum width of 7.0m, maximum extension up to 4.0m
- Custom-made awnings up to 14.0m wide, with a one piece cover or junction roller

## Options

- Servo assisted gearbox (1300)
- Somfy motorisation
- Shadeplus® – manually operated, extendable drop valance
- Accessories include removable side blind and Pitch Adjustment Gear (PAG) (1300)
- Aluminium pelmet
- Integrated infrared radiant heating module

CONSERVATORY AWNINGS

# markilux<sup>®</sup> Conservatory



## CONSERVATORY AWNINGS

# markilux<sup>®</sup> 8500 Conservatory

## Sun shading solution with countless capabilities.

The new markilux 8500 Conservatory awning offers greater protection from the sun by providing adjustable track profiles for conservatories with bevelled roofs. Utilising the tried and tested technology seen in the markilux 8000 Conservatory, the refined markilux 8500 is ideal for any exterior conservatory with a custom shape.



### Features

- Adjustable track profiles for conservatories with bevelled roofs and off-set pergola frames
- Tracks can be indented by up to 1.2m from both sides
- Track profiles extend beyond the front by up to 1.0m, guaranteeing more overhanging shade
- Two independently working gas pistons create an optimum, precise and even fabric cover tension
- Awning is driven by an electric motor which is secreted within the 95mm roller tube
- Exceptionally tear resistant, 12mm kevlar transportation belt ensures the fabric cover extends and retracts easily, effortlessly and smoothly
- Sturdy one piece self-supporting extruded aluminium cassette
- The specialised fabric cover 'stabilizing technique' pioneered by markilux delivers a flatter fabric cover
- All bearings use Teflon-coated bronze bushes
- Perfected slide and glide rail system minimises noise during operation



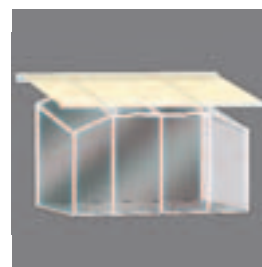
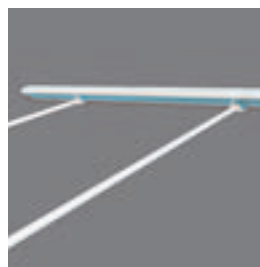
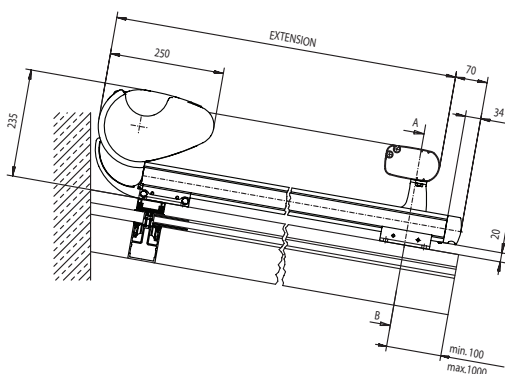
AUTOMATION



MOTORISATION



UV PROTECTION



### Dimensions

- Maximum width of 6.5m (without a support tube)
- Extension up to 5.0m
- Maximum coverage up to 25.0m<sup>2</sup> per unit

### Options

- Somfy remote and automatic controls and sensors
- Swela Acrylic, Swela SNC (Swela Nano Clean), Swela Transolair, Swela Perfotex and Soltis 92 Materials available

CONSERVATORY AWNINGS

# markilux<sup>®</sup> 8000 Conservatory

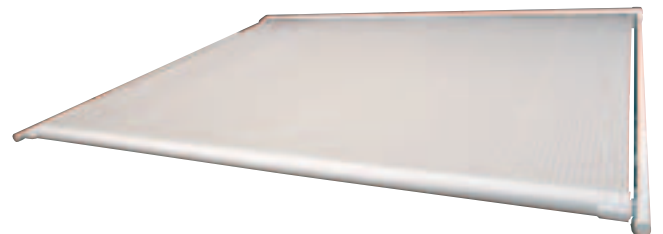
**A conservatory shading system straight from the design studio with superb technological qualities.**

The markilux 8000 is regarded as the best conservatory awning on the market for its performance, reliability, endurance and ease of installation. The markilux 8000 Conservatory awning is ideally suited to glass conservatories, pergolas, courtyards, playgrounds, cafes and restaurants. Plus, with increasing restrictions on smoking in public places, the external conservatory awning is the ideal solution to extend the seating area of restaurants, cafes, pubs and clubs.



## Features

- Exterior sun protection as a flat, curved or barrel vaulted application
- Sturdy, one piece self-supporting, extruded aluminium cassette
- An extremely stable, extruded front profile ensuring an absolute minimum of sagging of the fabric cover
- Two independently working gas pistons create an optimum, precise and even fabric cover tension
- All bearings utilise Teflon-coated bronze bushes
- The retracted fabric cover is protected from soiling by a brush seal between cassette and front profile
- The specialised fabric cover 'stabilizing technique' pioneered by markilux delivers a flatter and more stable fabric cover
- Exceptionally tear resistant, 12mm kevlar transportation belt ensures the fabric cover extends and retracts easily, effortlessly and smoothly
- Perfected slide and guide rail system minimises noise during operation
- In curved applications, the side track profiles are bent to an exact degree for smooth gliding and frictionless movement
- Awning fabric covers made with Swela<sup>®</sup> Teflon-infused coating are UV and weather resistant, non-fading, rot proof, resistant to all detrimental environmental influences, water and oil repellent, and quick drying
- Somfy motorisation is standard



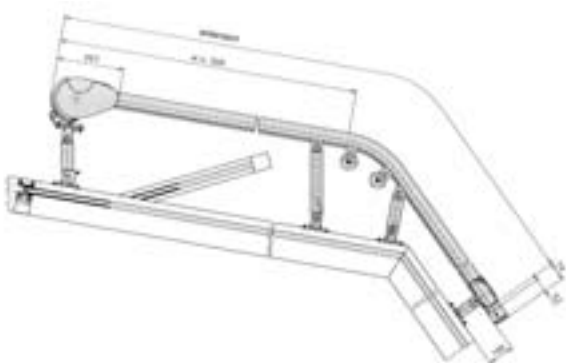
AUTOMATION



MOTORISATION



UV PROTECTION



### Dimensions

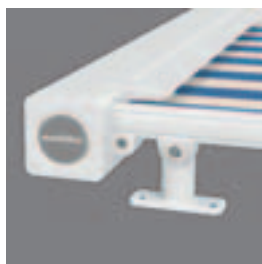
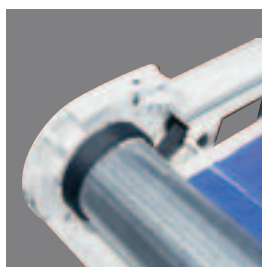
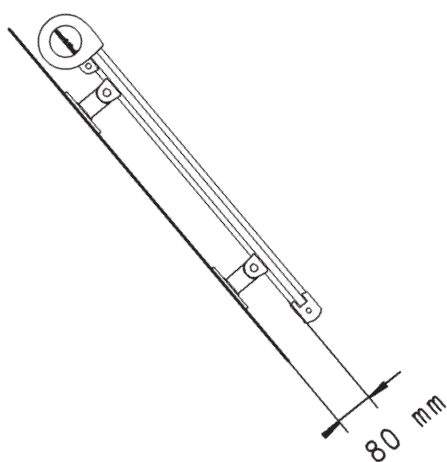
- Maximum width of 6.5m (single unit)
- Extension up to 7.0m
- Maximum coverage up to 36.0m<sup>2</sup> per unit, or coupled up to 108.0m<sup>2</sup> with three linked units

### Options

- Somfy remote and automatic controls and sensors
- Swela Acrylic, Swela SNC [Swela Nano Clean], Swela Transolair, Swela Perfortex and Soltis 92 Materials available
- Framing system with integrated gutters



## CONSERVATORY AWNINGS



## markilux<sup>®</sup> 780 / 880 Kinder Conservatory

**Compact, strong, slender and economical conservatory awning.**

A small conservatory system with its own tensioning system that is slim, compact and extremely strong. This system is perfect for both interior and exterior applications, and is ideally suited to smaller glass conservatories and pergolas.

### Features

- A sturdy, one-piece extruded aluminium self-supporting cassette
- Perfected slide and guide rail system: Patented elasticised side tensioning tapes ensure a taut fabric cover
- All bearings utilise Teflon-coated bronze bushes
- Swela Transolair<sup>®</sup> fabric is recommended, allowing transparency for vision and protection from harsh light, while blocking out up to 95% of the UV light
- Available as either manual operation (internal installations only) or with Somfy motorisation

### Dimensions

- Maximum width of 4.0m
- Maximum extension up to 4.0m or 12.0m<sup>2</sup> (per unit)

### Options

- Choice of 115mm round (markilux 880) or 95mm square (markilux 780) shaped head boxes
- Somfy motorisation with remote and automatic controls and sensors



AUTOMATION

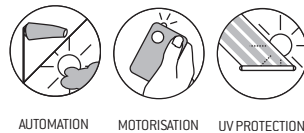


MOTORISATION



UV PROTECTION

## CONSERVATORY AWNINGS



AUTOMATION MOTORISATION UV PROTECTION

markilux®

## 889 Under Glass Kinder Conservatory

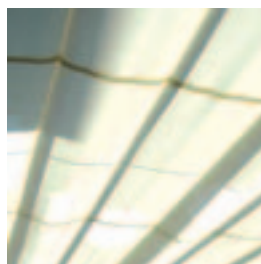
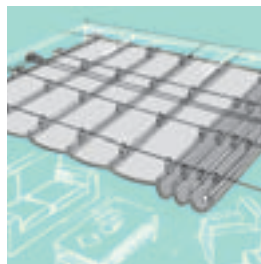
**Trim, elegant shade awning.**

An entirely new awning designed specially for use under glass terrace roofs is now available for the ultimate in outdoor living pleasure.

It provides the same reliable protection from ultraviolet radiation as the proven external awnings.

### Features

- Hardly visible, but provides plenty of shade
- Particularly graceful, trim design
- Diameter of the lateral guide rails is only 40mm
- Mounted on slender brackets on the sides or from above
- Areas up to 27m<sup>2</sup> can be readily and reliably shaded



UV PROTECTION

markilux®

## Roof Festoon

**The horizontal shading system on stainless steel guide wires.**

A simple way to shelter large areas, creating atmosphere while giving protection from light and heat. If an internal area is exposed to the sun due to a glass roof, atrium or skylight, the markilux Roof Festoon can protect from glare or insulate against the cold in winter. Externally, it can be used over pools or under pergolas to offer extra shade from the harsh sun.

### Features

- For interior use, the lighter Trevira CS fabric is used – it breathes, and is fire retardant and creates instant atmosphere and style
- Practical support wires provide a secure fastening and efficient tension guides
- Available only with a manual pull cord operation

### Dimensions

- Maximum area size up to 16.0m<sup>2</sup>

WINDOW AWNINGS

# markilux<sup>®</sup> Window Awnings

**Excellence in protection from excessive heat, UV light and glare while ensuring total privacy.**

markilux window awnings are in a class of their own for style, strength, design and practicality.



## WINDOW AWNINGS



## Features

- markilux window awnings are available in either a Cube (a square cassette) or a Tube (a round cassette) styled cassette housing. Both styles of cassettes are designed to blend with all styles of architecture; the uncomplicated, stylish and elegant designs provide the finishing touch to any window façade. These awnings are extremely sturdy due to a self-supporting one-piece extruded aluminium head box that supports the cassette. The made-to-measure markilux window awnings can be individually operated or coupled together to suit any size window



1. markilux® 7 Series Cubes  
– 95mm Square Cassette



2. markilux® 8 Series Tubes  
– 115 mm Round Cassette

## Fabrics

- Swela® Teflon-Coated Acrylic, Sunsilks SNC, Transolair® Screen or Soltis 92 Screen
- The choice simply depends on the style you are after and how much light you prefer. For markilux window awnings, we recommend Swela Transolair, as it is ideally suited to provide an optimum level of shade, without spoiling the view

## Operation

- Manual operation fitted with a universal joint and removable stainless steel winding handle
- Internal manual operation with a winding handle
- Motorisation with Somfy remote control and automation are optional extras
- Coupled units are only available with motorised operation

STRAIGHT-DROP CASSETTE AWNINGS – CUBES AND TUBES

# markilux® Straight-Drop Cassette Awnings cubes and tubes

**markilux Straight-drop Cassette Awnings protect you, your home and furnishings from the sun and ensure total privacy.**

The reliable and refined engineering guarantees ease of assembly and the markilux trademark of high-quality materials and manufacturing expertise promises an enduring lifespan. With a wide selection of sunscreen fabrics available, you can maintain your view while blocking out harsh UV light and heat.



## markilux® 710 Cube / 810 Tube

**The uncomplicated system with sturdy and sleek cable guides.**

### Features

- 4mm PVC coated, galvanised cable guides, this straightforward and proven model provides cool shade and comforting light
- Made-to-measure, this model can suit any window size – up to 5.0m wide x 3.5m drop
- Ability to couple two blinds together – up to 10.0m wide x 3.5m drop, motorised operation only



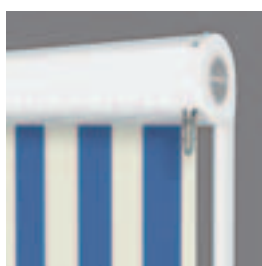
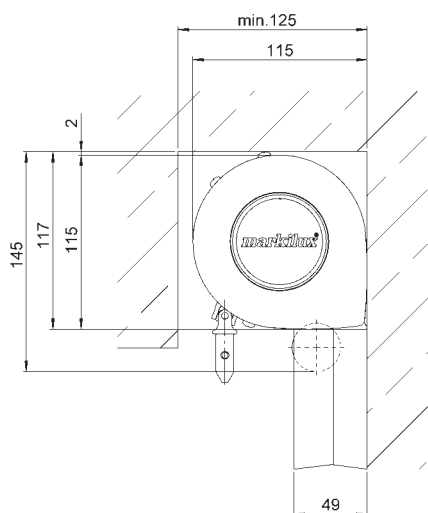
AUTOMATION



MOTORISATION



UV PROTECTION



## markilux® 720 Cube / 820 Tube

**The vertical cassette blind with an elegant aluminium guide rail.**

### Features

- Elegant angled aluminium guide rails ensuring stability of the bottom bar at all drops
- A unique stand-off bracket is available to allow slight opening of windows and airflow between the window and the awning fabric cover
- Made-to-measure, this model can suit any window size – up to 3.0m wide x 3.5m drop
- Ability to couple two blinds together – up to 6.0m wide x 3.5m drop, motorised operation only
- Available with stand off brackets on the markilux 725 Cube/825 Tube



AUTOMATION

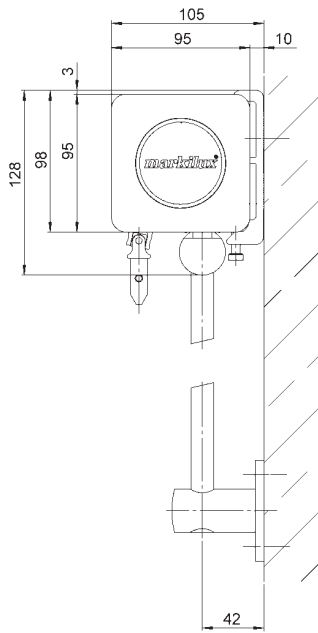


MOTORISATION



UV PROTECTION

## STRAIGHT-DROP CASSETTE AWNINGS – CUBES AND TUBES



## markilux<sup>®</sup> 750 Cube / 850 Tube

**The vertical blind with stable, stainless-steel guide rods.**

### Features

- Solid and very stable 16mm stainless-steel guide rods offering style, strength and durability
- Made-to-measure, this model can suit any window size - up to 5m wide x 3.5m drop
- Ability to couple numerous blinds together – up to 10m wide x 3.5m drop, motorised operation only



AUTOMATION



MOTORISATION



UV PROTECTION



## markilux<sup>®</sup> 760 Cube / 860 Tube

**The vertical blind with a high quality tensioning system.**

### Features

- Extruded aluminium track guide and a patented tensioning system with elastic variable belt system
- Outstanding characteristic is that the fabric cover is always taut – ideally suited to windy and gusty applications
- Pre-assembled and patented clip-on mounting brackets enable a very easy and precise installation
- Made-to-measure, this model can suit any window size – up to 4.0m wide or 4.0m drop with a maximum 12.0m<sup>2</sup> coverage
- Coupled units are available up to 8.0m wide, motorised operation only



AUTOMATION



MOTORISATION



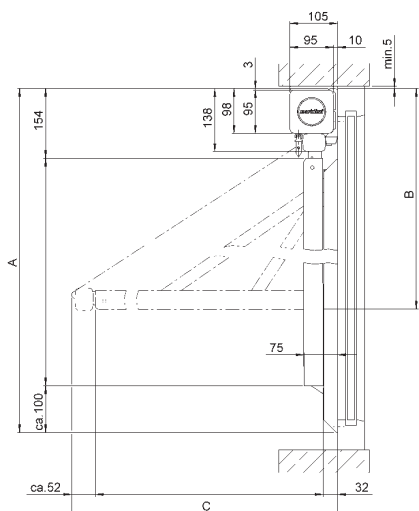
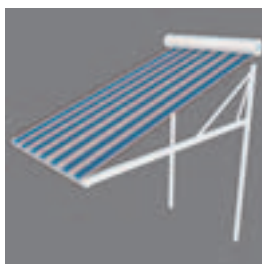
UV PROTECTION

DROP-ARM CASSETTE AWNINGS – CUBES AND TUBES

# markilux® Drop-Arm Cassette Awnings cubes and tubes

**Allowing for the combination of comforting shade, sufficient light and presence.**

The inclination of the Drop-arm Cassette Awning provides precisely the right angle to allow for shade where needed while permitting sufficient light and airflow. Exceptional engineering, high-quality materials and first-class manufacturing turns your markilux into the most practical enhancement to grace the facade of your home – with the option to completely cover the fitted window, if needed.



## markilux® 730 Cube / 830 Tube

**The drop-arm awning with perfected gas-piston tensioned arms.**

### Features

- Gas-piston tensioned arms, offering maximum wind stability and a fully concealed cassette with a self-sealing and inter-locking front profile
- Provides totally flexible protection against light and heat
- Optimised gas-piston, tensioned arms enable friction-free movement of the drop-arms and ensures an extremely taut fabric cover
- Arms able to pivot through every angle up to 140°, with a possible arm length of up to 1.5m
- The fabric cover sits perfectly at every angle and good fabric cover tension is achieved even when the awning is only partially extended
- Made-to-measure, this model can be fitted to any window size - up to 7.0m width individually or 14.0m width when coupled, motorised operation only
- Individual awning widths greater than 4.0m come with three arms and a split cover

## markilux® 791 Cube / 891 Tube

**The drop-arm awning with auto-lift arms for added headroom.**

### Features

- Ideal for all those who seek reasonably priced sun protection for their patio windows and doors with room for adjustment
- This unique design allows the arms to pivot and rise to enable sufficient walk-under clearance and sun protection
- Spring tensions enable a friction-free movement of the auto-lift arms and guarantee a taut fabric cover
- Made-to-measure, this model can be fitted to any size window, in individual widths of 7.0m, projection up to 2.0m extensions

## DROP-ARM CASSETTE AWNINGS – CUBES AND TUBES



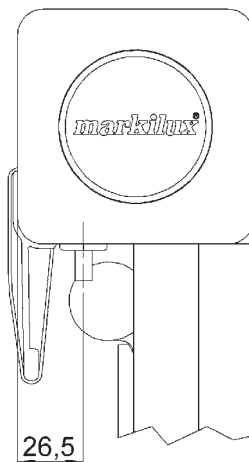
markilux®

## Markisolette 740 Cube / 840 Tube

The half vertical, half drop-arm functional awning with gas-piston tensioned arms and guide rails.

### Features

- High-quality guiding mechanism with optimised gas-primed pistons and patented wind-lock mechanism
- A combination of a vertical and a drop-arm awning, making it ideal for long, high windows
- Unique stand-off bracket is available to allow slight opening of windows and airflow between window and awning cover
- Made-to-measure, this model can suit any window size – up to 3.0m wide x 3.0m drop
- Ability to couple two blinds together – up to 6.0m wide x 3.0m drop, motorised operation only
- Also available with stand-off bracket and locking device on the markilux 745 Cube/845 Tube



AUTOMATION



MOTORISATION



UV PROTECTION



TRIANGULAR CASSETTE AWNINGS – TUBE

# markilux® 893 Triangular Shading

**markilux – Creative Solutions.**

Ideal for any type of triangular window, the markilux 893 Triangular Shading System is a first in Australia. Used for both internal and external applications, the markilux 893 is the only practical and functional solution for angled and gabled glass windows, conservatories or openings.



## Features

- Two heavy-duty track profiles, tensioning wires driving two independent gas-pistons that ensure optimal cover tension at all projections
- Unique patented clip on bracket system, the markilux 893 can be fitted to any particular angle from horizontal to vertical
- Integrated brush system sweeps loose debris from fabric, ensuring the fabric cover remains clean
- All Swela and Soltis fabrics are available to use
- Can be custom-made to cover areas up to 5.0m wide x 4.0m projection
- Motorisation only with Somfy remote control and automation an optional extra



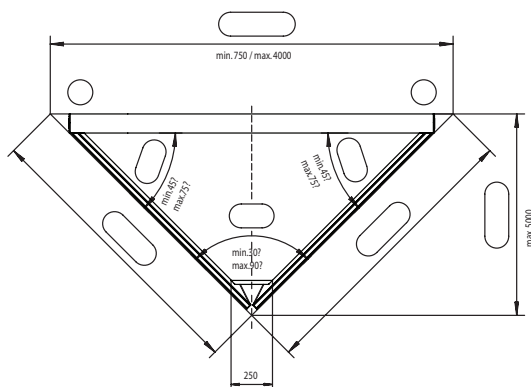
AUTOMATION



MOTORIZATION



UV PROTECTION



## OPERATION

# markilux<sup>®</sup> Operation

**Easy-to-use-innovation ensures smooth and reliable operation.**

markilux awning systems can be fitted with a hidden Somfy tubular motor to provide smooth, quiet and reliable operation at the touch of a button. The addition of an automated control system also allows the awning to react to set levels of sunlight and wind intensity, providing seasonal protection for your awning. Optional remote, timer and climate-control automation ensure ease of use and suitability for Australian weather conditions\*\*.



markilux awnings cater for all home automation and building management systems.

Manual operation of all folding-arm awning systems is geared by a 5:1 ratio gear-box, allowing for easier and faster extension and retraction. All manually operated awning systems come with a removable, ergonomically designed, stainless-steel winding handle.

Standard on all gas-piston tensioned folding-arm awnings (markilux 1100, 1500 and 1550) is the servo assisted gearbox. This spring-loaded mechanism allows an internal spring to coil as the awning is being extended and recoil during retraction. The major benefit is that it eliminates the heavy tension imposed on the awnings arms during retraction of the awning and provides effortless operation. The servo assisted gearbox is available as a highly recommended option on all other manually operated folding-arm awning systems.



All moving parts on every markilux system use Teflon-coated bronze bushes. The Teflon bushes ensure smooth, frictionless and trouble-free operation of the awning during extension and retraction - for years to come.

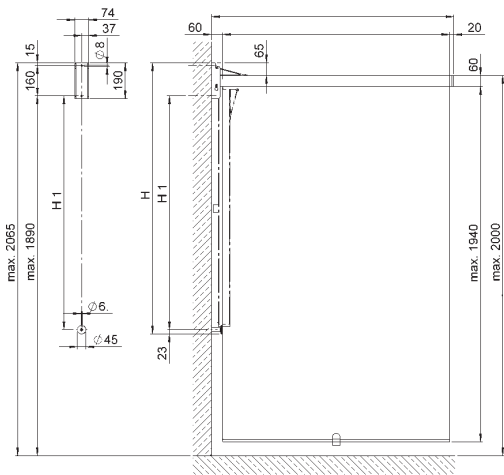
\*\* Please note: Automatic control unit does not relinquish responsibility of awning use by end user.

## ACCESSORIES

## markilux® Accessories

**Totally logical – totally markilux.**

A range of innovative accessories that integrate with markilux awnings and your lifestyle – providing yet another dimension in sun shading protection.



UV PROTECTION

markilux®  
75 The Swinger

**The markilux side-screen that swings out and pulls down-perfect for sunny places with a low clearance or the neighbours prying glance.**

**Features**

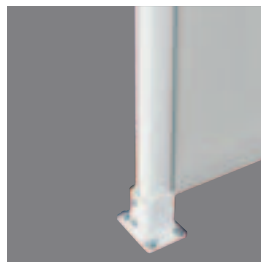
- Patented swinging side blind
- Vertically positioned on the wall, the cassette rotates to a horizontal position, the internal roller blind is pulled down and fastened to a handrail or to the floor
- Unique click-in and lock-down mechanism provides a secure hold
- Can be easily fitted in areas with a low clearance
- Wall cassette is available in widths of 1.28m and 1.7m and the fabric cover can be lowered to a maximum of 2.0m
- All Swela fabrics are available – Swela Acrylic, Sunsilks SNC and Transolair

markilux®  
790 Side Screen

**The retractable Side Screen that offers protection from sun, draughts, and ensures total privacy.**

**Features**

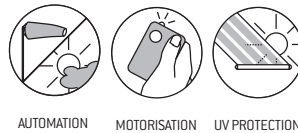
- This retractable Side Screen becomes an ideal partition to protect from draughts, low-lying sun and offers additional privacy
- Extremely sturdy and particularly easy to use
- Extended using the ergonomically designed handle
- Pulled out using the handle & inserted in a fixture bracket
- Strong, spring-tensioned roller guarantees a taut fabric cover
- Material is hidden in a narrow compact square cassette, which is fitted vertically on the wall
- The fabric cover is completely protected from dust & dirt
- Three types of fixing brackets, including a ground insertion post, fixture post to a solid base-surface or a wall mounted bracket
- Compact cassette is available with a height of 1.7m or 2.1m, or custom-made to individual heights
- Extensions up to 4.0m are available
- All Swela fabrics are available – Swela Acrylic, Sunsilks SNC and Transolair



UV PROTECTION



## ACCESSORIES



AUTOMATION    MOTORISATION    UV PROTECTION

## markilux® Shadeplus®

The retractable valance that protects and creates new living space – the awning within an awning.

### Features

- A Shadeplus® ensures year-round protection – height of the sun is not only dependent on the time of day but also on the location, direction and season
- markilux Shadeplus® is an additional feature on folding arm systems, 1100, 1300, 1500, 1600, 5005 and 6000
- An independent vertical awning is discretely hidden
- Ensures maximum head height under the awning
- Manual operation is standard with a removable, stainless-steel handle
- Motorisation with remote control is available on the markilux 6000 Uber Cocoon and 1500 Jellybean models
- Available in drops of 1.4m to 2.1m retractable valance
- All Swela fabrics are available

## markilux® Heater

Innovation abounds with the new heating system engineered by markilux. All designed for you to make the most of your outdoor living space, all year round.

### Features

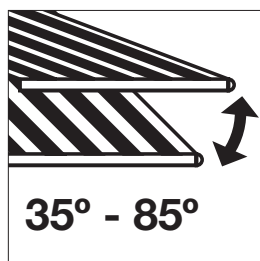
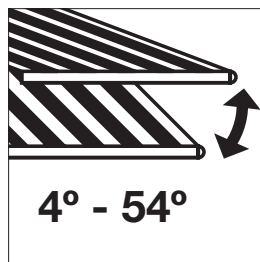
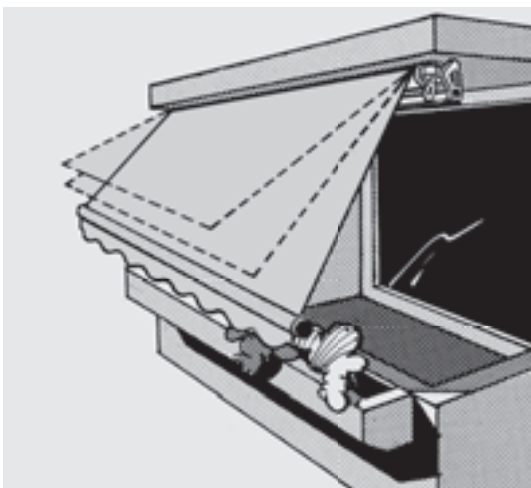
- Ideal for all markilux folding-arm awnings for effective, targeted and instant radiant heating
- Developed with the innovative infrared short-wave technology Philips HeLen heating element – 1400 watt element
- Immediate performance which is quiet, fragrance and omission free
- Single standard power supply is sufficient with low energy use, with huge energy savings with no pre-heating of the element
- Ensures the highest efficiency using aluminium with 92% reflectivity for the reflector and the double parabolic design
- Homogeneously and pleasantly heated area
- Weather proof, powdercoated solid aluminium casing
- 2 year warranty and with a minimum lifetime of approximately 5000 plus hours

## markilux® Pitch Adjustment Gear (PAG)

Increase the amount of shade with a twist.

### Features

- PAG enables the markilux 1300 Classic Open-Style folding-arm awning to follow the movements of the sun
- The manual winding handle can simply lower the pitch of the arms to meet the level of the sun
- The dual arm gear and worm drive mechanism is concealed within the quadratic torque bar
- Variable adjustment ranges from 4° to 54° or 35° to 85°
- The pitch adjusted while the awning is fully extended
- Both arms pitch and adjust simultaneously, ensuring a levelled front profile every time



## FABRICS

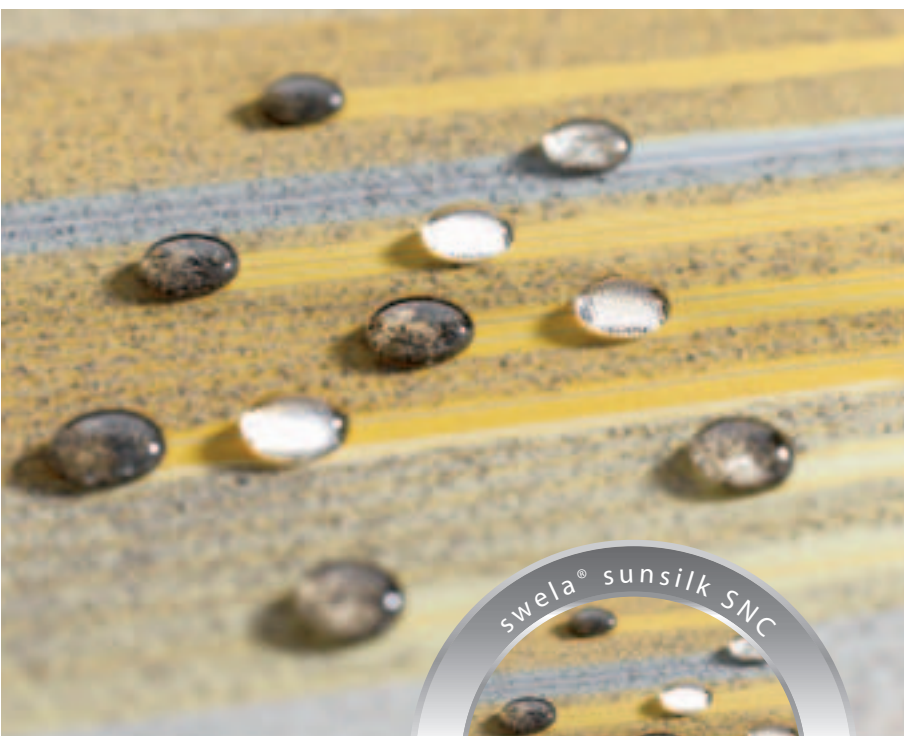
# SWELA® Fabrics

## Swela - textile excellence.

markilux awning fabric covers are created by cutting-edge designers, taking into account form, function, style, environmental elements, maintenance and durability. markilux awnings feature the hard-wearing swela fabrics, including Swela Acrylic®, Swela Transolair® and the renowned Swela Sunsilk SNC®.

These spun-dyed awning fabrics are available in more than 160 colours and patterns, ensuring you can find the ideal fabric to complement any exterior. They are light and colour-fast, 99.5% UV-stable, water-repellent\*, durable, tear-proof, not susceptible to rot, resistant to heat, cold and other environmental influences, quick-drying and are infused with Du Pont Teflon® coating.

### The next generation of awning fabrics.

### Swela Sunsilk SNC

Welcome sunshine!

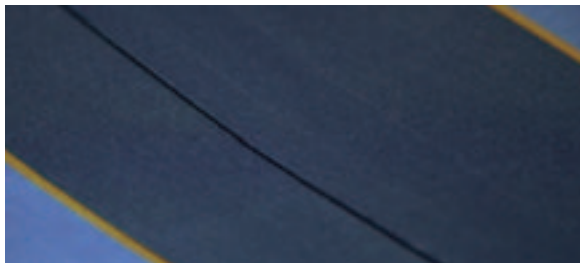
A result of three years in research and development, Swela Sunsilk SNC (Swela Nano Clean) is a milestone in external textile development. This silky high-tech polyester based fabric provides a self-cleaning 'finish' that enables the fabric cover to permanently repel dirt, grease, oil and water, which not only ensures its long lasting radiant colour but also a low maintenance awning for life.

#### Features

- Coated with a finish (nano-coating) to permanently repel dirt, grease, oil and water
- Ensures long lasting original colour
- Polyester fabrics with silky appearance and feel
- Highly tear-resistant
- Maximum UV-weather protected while allowing in luminescent light
- Low maintenance – Rain water will wash away any dirt or dust
- Available in a wide range of subtle and vibrant plain and patterned colours

**Minimum 15° pitch to ensure optimal water run-off (except Pavillion 2)**

## FABRICS

**SWELA® Transolair®**

Is an acrylic-based sunscreen fabric, that features a special perforation technology that allows for excellent transparency, light, air and wind permeability - providing up to 97% UV protection. It provides a more natural, smooth and subtle appearance than the traditional PVC-coated fibreglass fabrics. Transolair is available in widths up to 2.5 metres, providing a major benefit in the elimination for unsightly weld-lines and joins. Ultrasonic sealing (no side hems) ensures the material rolls and sits perfectly, giving a straight, balanced fabric cover, as well as preventing wrinkles, puckering and creases. Rest assured, whatever your fabric selection, all markilux fabric covers are exceptionally durable and very easily cared for. All Swela fabrics are Öko-Tex Standard 100 certified, ensuring an environmentally friendly material and production process, and are covered by a 5-year guarantee.

**markilux Ultrasonic Sealing**

Increased use of motorisation in awning systems has placed higher stress levels on fabric covers through increased rates of operation. In the case of sewn fabric covers this can result in weakened seams that can eventually wear. To counter this issue, Markilux has pioneered the ultrasonic adhesive sealing – an adhesive to weld fabric covers. This new high compression technology utilises a highly concentrated surface adhesive to join the length of fabric covers, replacing the need for double stitched seams.

**Features**

- High compression overlap bond enhances durability and strength
- Improved appearance of a taut cover
- No fraying of threads through wear and tear
- Heat, cold and water resistant
- No unsightly threads and pin holes
- UV stable under normal conditions reducing premature aging through UV radiation or environmental influences on a stitched cover
- Available on all markilux awnings with the exception of the conservatory awnings
- Suitable for all Swela Sunsilks, Acrylic and Transolair fabric covers

## GLOSSARY

# markilux<sup>®</sup> Glossary

The following Du Pont RAL colours are standard on the listed markilux products.

Plus, over 205 Semi Gloss and Metallic Du Pont RAL colours and Extra Corrosion Resistant (ECR) polyester powder-coating applications are available upon request (surcharges apply).

| markilux <sup>®</sup>               | White                                     | Brown | Metallic Grey | Ivory |
|-------------------------------------|---|-------|---------------|-------|
| ES-1                                | Brushed Finish Austenitic Stainless-Steel |       |               |       |
| 6000 Uber Cocoon                    | S   |       |               |       |
| 5005 Cocoon                         | S   | S     | S             | S     |
| 915 Kinder Cocoon                   | S   | S     | S             |       |
| 3300 Cube                           | S   | S     | S             |       |
| 1600 Pavilion 2                     | S   | S     | S             | S     |
| 1500 / 1600 Jellybean               | S   | S     | S             | S     |
| 1550 Jellybean Lifestyle            | S   | S     | S             | S     |
| 1100 Classic                        | S   | S     | S             | S     |
| 1200 Classic                        | S   | S     | S             | S     |
| 1300 Classic                        | S   | S     | S             | S     |
| 8000 Conservatory                   | S   | S     | S             |       |
| 780 / 880 Kinder Conservatory       | S   | S     | S             |       |
| 889 Under Glass Kinder Conservatory | S   | S     | S             |       |
| Roof Feston                         | S   | S     | S             |       |
| 893 Triangular Shading              | S   | S     | S             |       |
| 710 / 810 Straight-Drop             | S   | S     | S             |       |
| 720 / 820 Straight-Drop             | S   | S     | S             |       |
| 750 / 850 Straight-Drop             | S   | S     | S             |       |
| 760 / 860 Straight-Drop             | S   | S     | S             |       |
| 730 / 830 Drop-Arm                  | S   | S     | S             |       |
| 791 / 891 Drop-Arm                  | S   | S     | S             |       |
| 740 / 840 Markisolette              | S   | S     | S             |       |
| 790 Side Screen                     | S   | S     | S             |       |
| 75 The Swinger                      | S   |       |               |       |

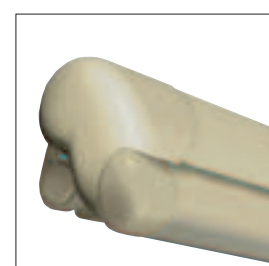
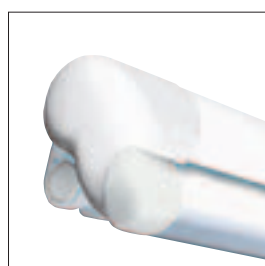
## Standard Du Pont RAL frame colours available



S = Standard



## Powder Coated frames



GLOSSARY



**AUTOMATION** – Sun and Wind Sensor – The intelligent automatic weather station



**PITCH ADJUSTMENT GEAR (PAG)** – Angled protection to meet your requirements



**SHADEPLUS®** – The extendable valance for protection from the lowering or rising sun



**MOTORISATION** – Hard wired, remote control, home automation



**“LITTLE BIG”** – The markilux with greater extension than width



**INTEGRATED LIGHTING** – Lighting module with on/off and dimmer functions



**UV PROTECTION** – 99.5% UV, SPF 50+



**HEATER** – Infrared radiant heating module

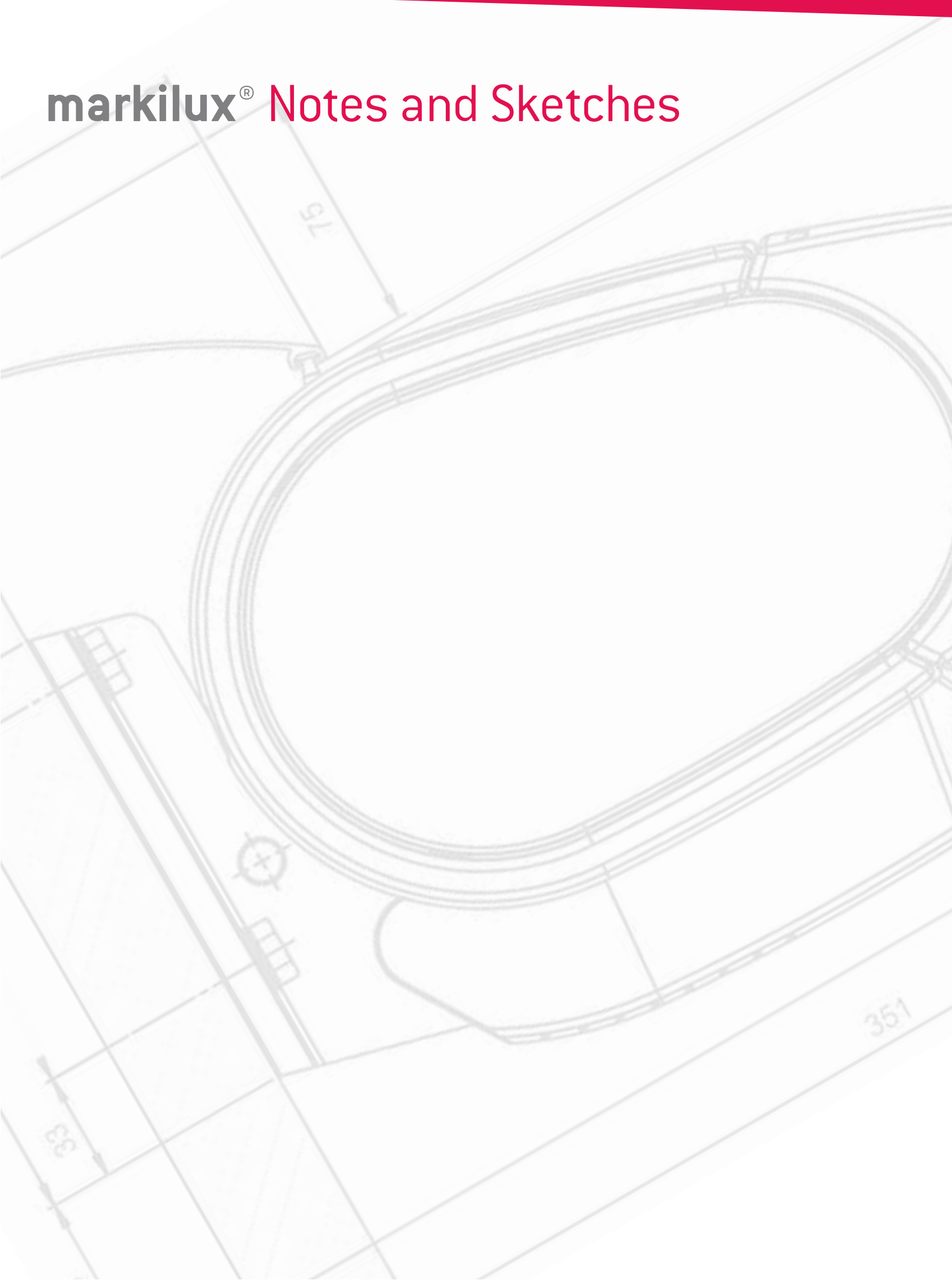


A birds-eye view of markilux's research & development, engineering and manufacturing hub in Emsdetten, Germany





# markilux<sup>®</sup> Notes and Sketches





# markilux<sup>®</sup> australia pty ltd

t: 1300 65 44 69

e: [info@markilux.com.au](mailto:info@markilux.com.au)

[markilux.com.au](http://markilux.com.au)

Your markilux specialist:

**markilux<sup>®</sup>**  
the smart awning