

ecoglo® | 24 HOUR STEP EDGE CONTRAST

Whether you want to provide emergency lighting for 100,000 stadium patrons or define the edge of one step, Ecoglo has a solution.

The Ecoglo range of path definition and signage products is a proven, long lasting solution to the safe movement of people. These systems have been installed world wide, aiding egress and preventing falls in the world's largest stadia, tallest buildings and busiest congress centres.



Hong Kong Convention and Exhibition Center
CHINA



Melbourne Cricket Ground
MELBOURNE, AUSTRALIA



Time Warner Center
NEW YORK, USA



Burj Dubai
DUBAI

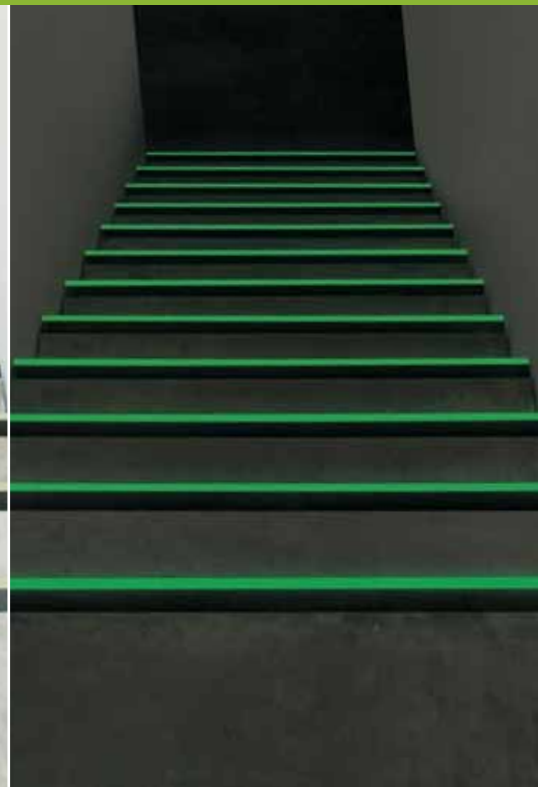
no ecoglo lights on



ecoglo lights on



ecoglo lights off



HOW THE ECOGLO SYSTEM WORKS

Ecoglo uses a patented process to produce a range of products that provide a four pronged solution to pathfinding needs:

- step edge contrast
- slip-resistance
- visibility in all light conditions
- resistance to wear

24 HOUR STEP EDGE CONTRAST

The critical parameter for visibility on a step edge is contrast against adjacent surfaces.

Ecoglo step-edge products incorporate a black anti-slip strip and a photo-luminescent strip to produce internal contrast. Together these provide excellent luminance and colour contrast that exceeds all international contrast requirements. Even users with impaired visibility find Ecoglo products aid their safe movement.

There is no limitation to the colour of tread material used as the step edge provides contrast independent of the tread material.

Extensive testing has shown that Ecoglo step edge is clearly visible in all lighting conditions; dark conditions, light conditions and twilight or dim conditions.

SLIP RESISTANCE

The anti-slip material incorporated into the product range is hard wearing and resilient to high volumes of foot traffic.

In addition the unique ridges in Ecoglo strips provide all-weather slip resistance.

Ecoglo has been demonstrated to reduce slips and falls in facilities where it has been installed.

VISIBILITY IN ALL LIGHT CONDITIONS

Conventional electrical emergency lighting and signage is subject to failure, leaving egress paths in darkness. The Ecoglo product range is fail-safe, as the use of photoluminescent pigment allows it to glow brightly in the dark for many hours.

Ecoglo's patented application process embeds this pigment in a clear durable polymer that ensures maximum glow efficiency.

In darkness, Ecoglo handrail and step edge products prompt people

where to place their hands and feet while Ecoglo signage provides additional information. These products give confidence to those leaving a building in darkness, making egress easier, faster and safer.

RESISTANCE TO WEAR

The high temperature bonding process protects the Ecoglo product range from abrasive wear so there is no chance of delamination or peeling.

Ecoglo step edge products are built to be walked on. The unique ridges protect the photoluminescent pigment from high volume foot traffic.

Ecoglo products have passed a range of Internationally accredited tests relating to UV resistance, abrasion and cleaning. The high UV resistance means they have been installed in both indoor and outdoor facilities around the world.

ECOGLO STRENGTHS	DELIVER REAL BENEFITS
Step edge contrast	High visibility to aid movement
Efficient photo-luminescent process	Visible for hours in dark conditions
No electricity required	Failsafe
Hard wearing	Install once, no repainting or maintenance
Continually recharged by ambient light	Ecologically sustainable and low operating cost
High slip resistance	Reduces slips and falls
High UV resistance	Can be installed inside or outside
Contrast and glow	Aids users with impaired visibility
Internationally recognised accredited testing	Specify with confidence

24 HOUR STEP EDGE CONTRAST

For further information please contact

address PO Box 301,
Riverstone, NSW 2765

phone 02 9627 5255

fax 02 9627 4488

web www.ecoglo.com.au

Flat Nosings

Black Non-Slip - F4171
 Yellow Non-Slip - F4151
 Grey Non-Slip - F4161

Technical drawing dimensions: 68.0mm (total length), 37.3mm (strip length), 42.5mm (strip offset), 65.0mm (base length), 33.3mm (height), 29.7mm (base height).

Black Non-Slip - F4170
 Yellow Non-Slip - F4150
 Grey Non-Slip - F4160

Technical drawing dimensions: 68.0mm (total length), 37.3mm (strip length), 42.5mm (strip offset), 65.0mm (base length), 33.3mm (height), 29.7mm (base height).

F5101

Technical drawing dimensions: 64.3mm (total length), 15.5mm (strip length), 36.3mm (strip offset), 63.0mm (base length), 20.0mm (height), 15.6mm (base height).

Black Non-Slip - F6171
 Yellow Non-Slip - F6151
 Grey Non-Slip - F6161

Technical drawing dimensions: 78.0mm (total length), 37.3mm (strip length), 32.5mm (strip offset), 63.0mm (base length), 33.3mm (height), 29.7mm (base height), 3.6mm (top thickness), 6.24mm (base width).

Black Non-Slip - F6170
 Yellow Non-Slip - F6150
 Grey Non-Slip - F6160

Technical drawing dimensions: 78.0mm (total length), 37.3mm (strip length), 32.5mm (strip offset), 63.0mm (base length), 33.3mm (height), 29.7mm (base height), 3.6mm (top thickness), 6.24mm (base width).

Black Non-Slip - F7171
 Yellow Non-Slip - F7151
 Grey Non-Slip - F7161

Black Non-Slip - FA7171
 Yellow Non-Slip - FA7151
 Grey Non-Slip - FA7161

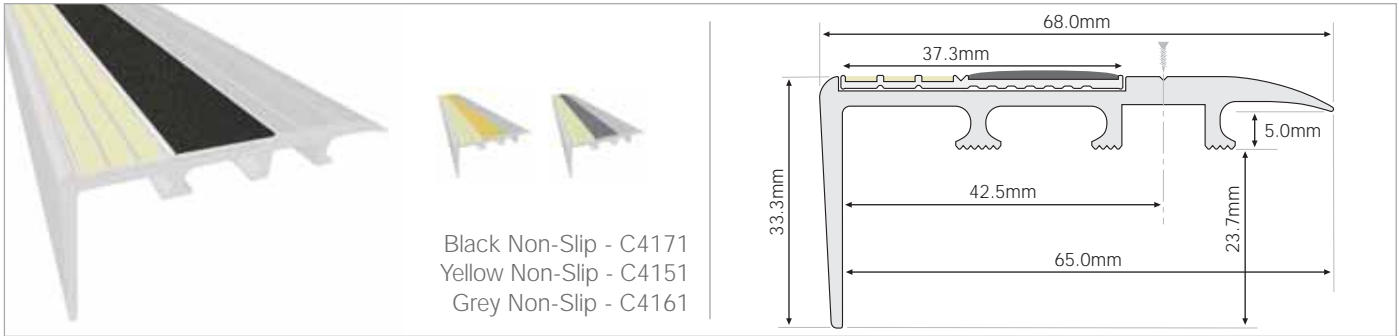
Black Non-Slip - F7170
 Yellow Non-Slip - F7150
 Grey Non-Slip - F7160

Black Non-Slip - F8171
 Yellow Non-Slip - F8151
 Grey Non-Slip - F8161

Black Non-Slip - FA8171
 Yellow Non-Slip - FA8151
 Grey Non-Slip - FA8161

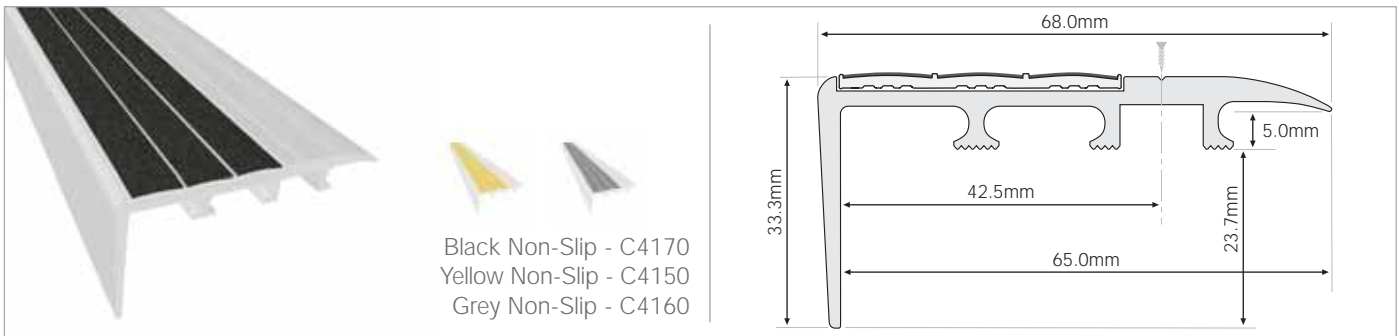
Black Non-Slip - F8170
 Yellow Non-Slip - F8150
 Grey Non-Slip - F8160

Carpet Nosings



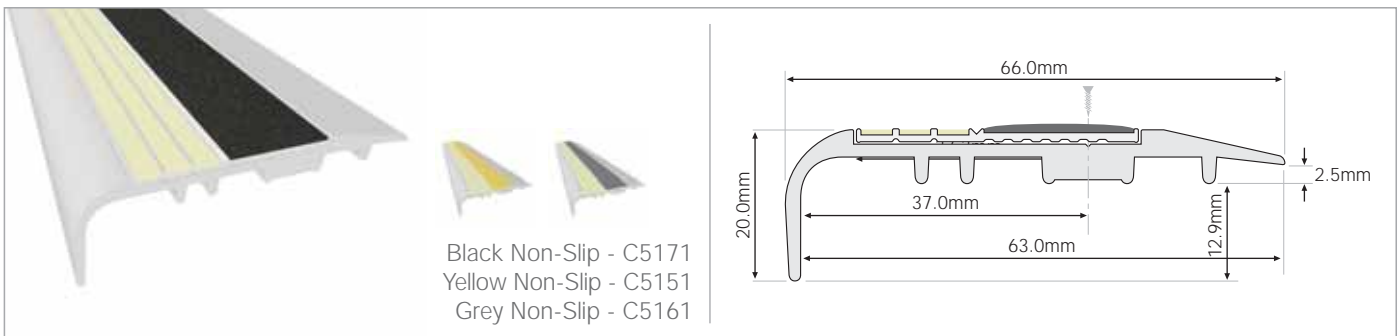
Black Non-Slip - C4171
 Yellow Non-Slip - C4151
 Grey Non-Slip - C4161

Technical drawing dimensions:
 Total width: 68.0mm
 Top width: 37.3mm
 Height: 33.3mm
 Distance from left edge to center: 42.5mm
 Total distance from left edge to right edge: 65.0mm
 Right edge height: 23.7mm
 Right edge thickness: 5.0mm



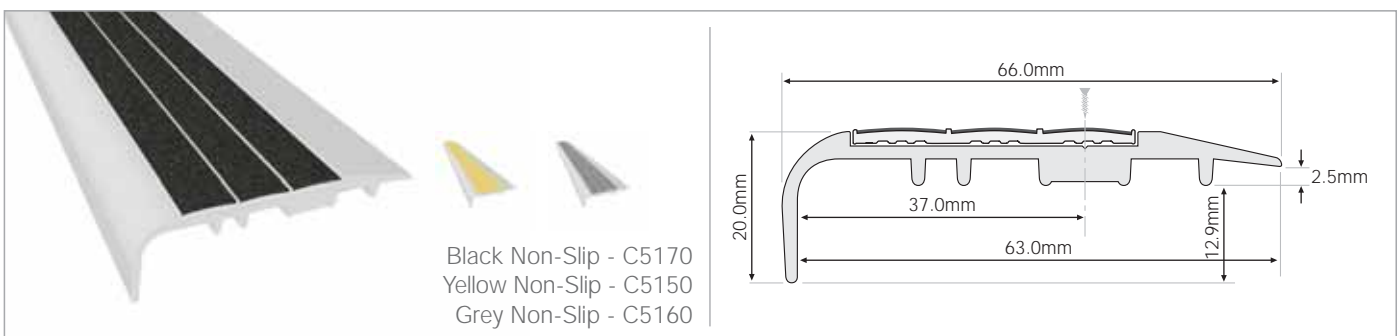
Black Non-Slip - C4170
 Yellow Non-Slip - C4150
 Grey Non-Slip - C4160

Technical drawing dimensions:
 Total width: 68.0mm
 Height: 33.3mm
 Distance from left edge to center: 42.5mm
 Total distance from left edge to right edge: 65.0mm
 Right edge height: 23.7mm
 Right edge thickness: 5.0mm



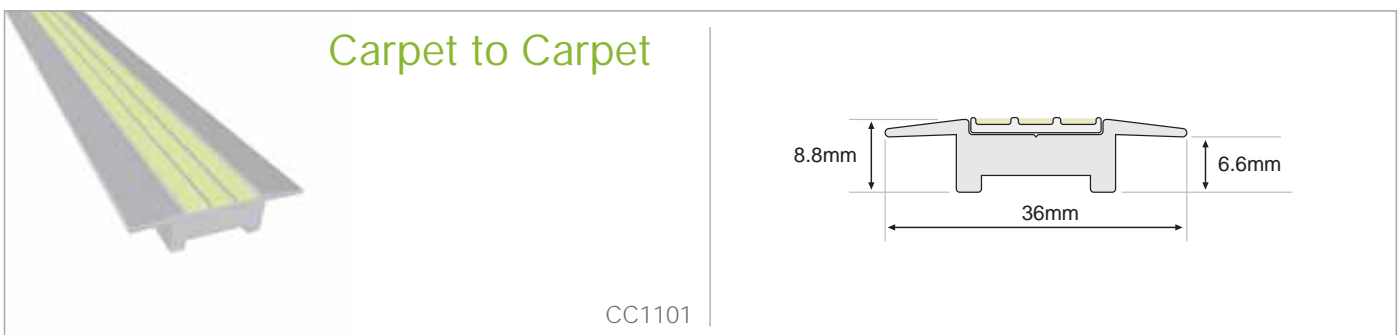
Black Non-Slip - C5171
 Yellow Non-Slip - C5151
 Grey Non-Slip - C5161

Technical drawing dimensions:
 Total width: 66.0mm
 Height: 20.0mm
 Distance from left edge to center: 37.0mm
 Total distance from left edge to right edge: 63.0mm
 Right edge height: 12.9mm
 Right edge thickness: 2.5mm



Black Non-Slip - C5170
 Yellow Non-Slip - C5150
 Grey Non-Slip - C5160

Technical drawing dimensions:
 Total width: 66.0mm
 Height: 20.0mm
 Distance from left edge to center: 37.0mm
 Total distance from left edge to right edge: 63.0mm
 Right edge height: 12.9mm
 Right edge thickness: 2.5mm



Carpet to Carpet

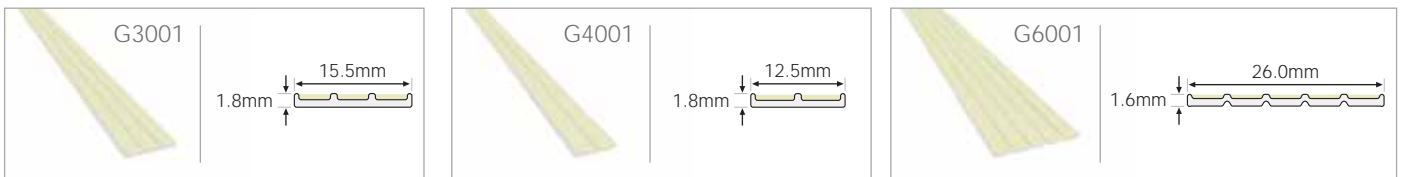
CC1101

Technical drawing dimensions:
 Height: 8.8mm
 Width: 36mm
 Right edge height: 6.6mm

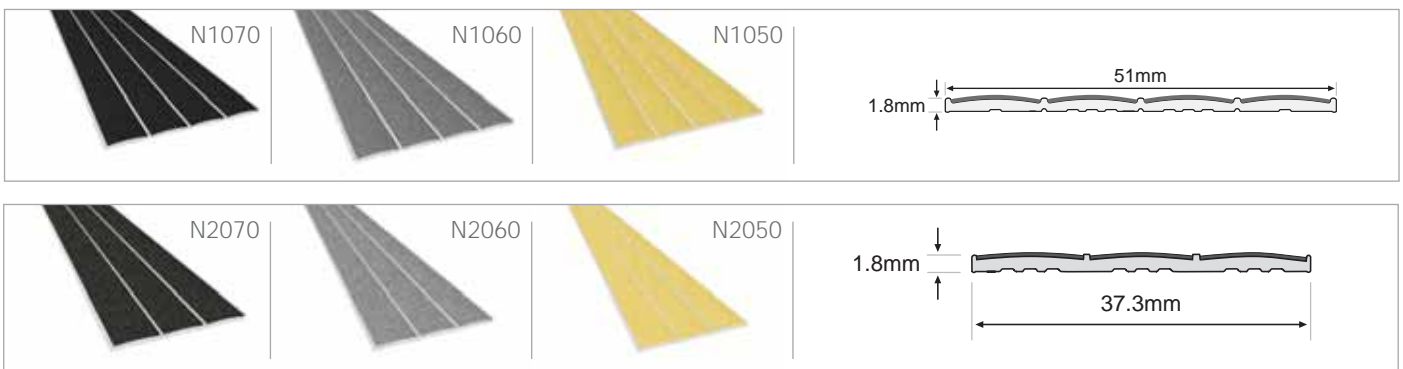
E Series



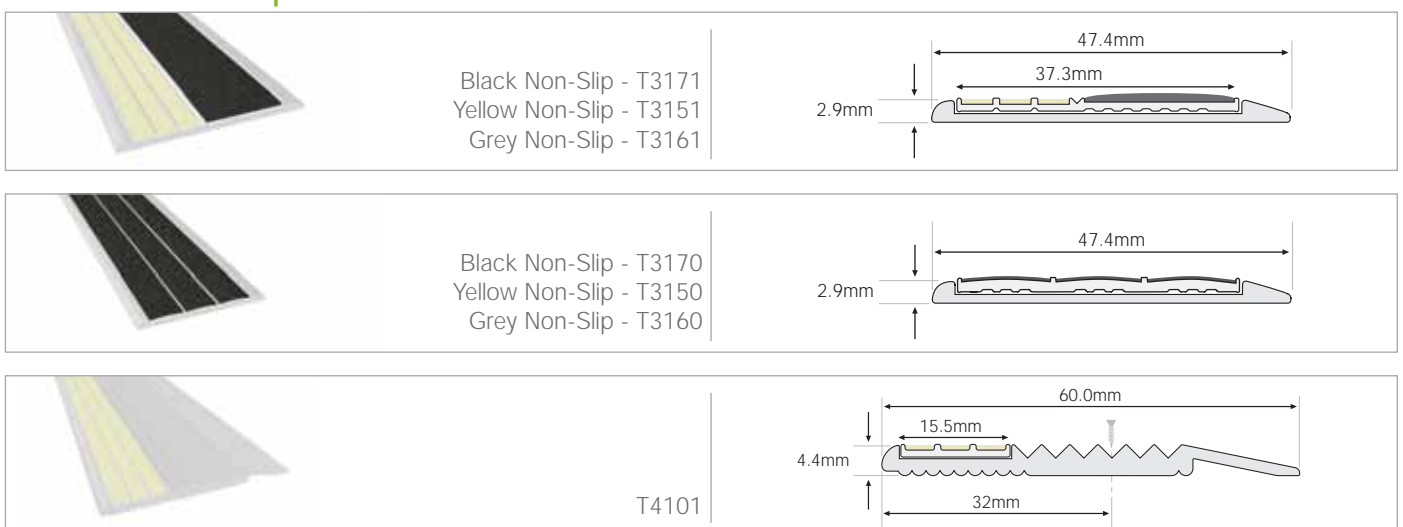
G Series



N Series



Threshold Strips



Handrail Strips



SIGNAGE

EGRESS

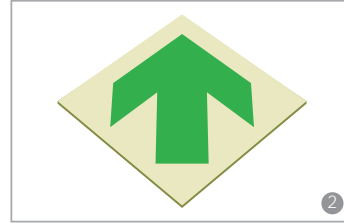
① 200 x 100mm ② 100mm x 100mm



Exit EX2010



Emergency Exit Only EE2010



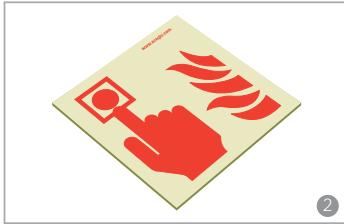
Arrow AR1010H & AR1010D



Running Man RM1010

EMERGENCY

② 100mm x 100mm



Fire Alarm FA1010



Fire Extinguisher FE1010



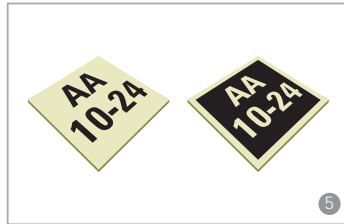
Fire Hose FH1010

AISLE MARKERS

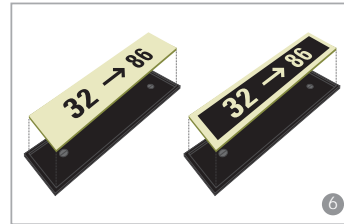
③ 65mm x 45mm ④ 45mm x 32.5mm ⑤ 88mm x 88mm ⑥ 38mm x 152mm ⑦ 60mm diameter ⑧ 68mm diameter



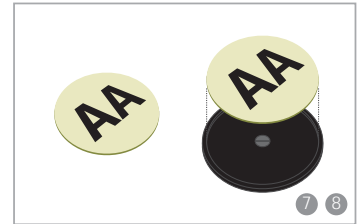
RE65/45 & RE45/32.5



SQ88/88



RE38/151 (holder available separately)



DS60 & DS68 (holder available separately)

SEAT NUMBERS

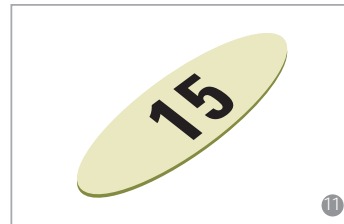
⑨ 31.9mm x 31.9mm ⑩ 40mm diameter ⑪ 18.7mm x 56.7mm ⑫ 14.7mm x 27.2mm ⑬ 16mm x 44.6mm



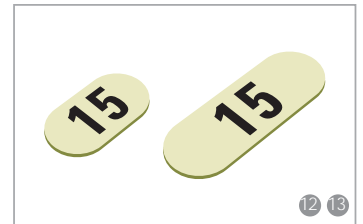
SQ31.9r



DS40



EL18.7/56.7



OR14.7/27.2 & OR16/44.6

MARKERS



Hazard Indicator OB82025