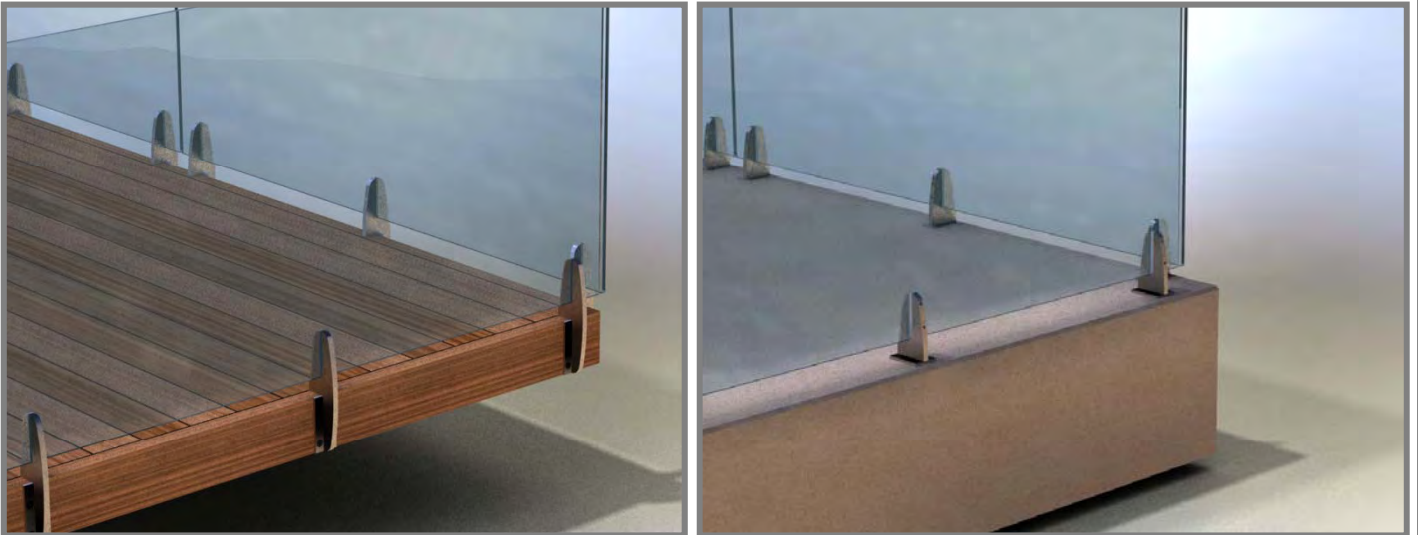


Every once in a while something completely new comes along...

Introducing the
NAUTECH STRUT POST

PATENT No. NZP561106



- **MOST UNOBTRUSIVE DUE TO THEIR SLIM PROFILE OF 16mm W BY 160mm H**
- **SPACED 700mm TO 1000mm CENTRES DEPENDING ON APPLICATION**
- **SIMPLE INSTALLATION – NO HOLES REQUIRED IN THE GLASS**
- **ALLOWS BOTH HORIZONTAL AND VERTICAL ADJUSTMENT**
- **AVAILABLE IN FACE FIX AND BASE FIX**
- **TESTED TO CURRENT AUSTRALIAN STANDARD AS1170**

Frameless glass pool fences and balustrades are by their very nature designed to enhance the environment they are protecting. Often, a frameless glass balustrade or pool fence is showcasing an exceptional sea view or extraordinary garden. With the Nautech Strut Post the frameless glass is able to blend into the environment. The slim profile and nautical look of the strut post has symmetry with marine and water views as its design was derived from the marine industry.

The unique engineering of this product simplifies installation as no holes are required in the toughened glass panels; this means that fine adjustments of the glass can be made with ease to ensure a perfect installation. The patented design allows for horizontal and vertical adjustment. Should a panel or panels need to be removed for service to the building or pool they can be easily removed to allow access and then reinstalled.

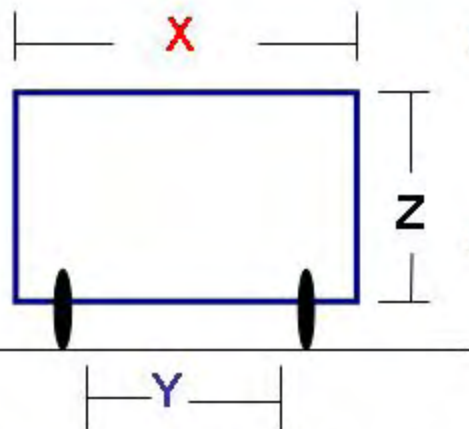
The Nautech Strut Post is available in two models; face fix and base fix to suit all applications including stairs and ramps.



Metro Frameless Glass Systems Pty Ltd - Unit 13, 205 Port Hacking Road, Miranda NSW 2228

Phone: 02 9522 3983 Fax: 02 9522 4102 Web: www.mfgs.com.au Email: customer.service@mfgs.com.au

Design Parameters for Nautech Strut Post System



Domestic or Pool Fence Set out for 2 Strut posts per panel

X = Maximum width of 1300mm

Y = Maximum width of 1000mm centres

Commercial Set out for 2 Strut posts per panel

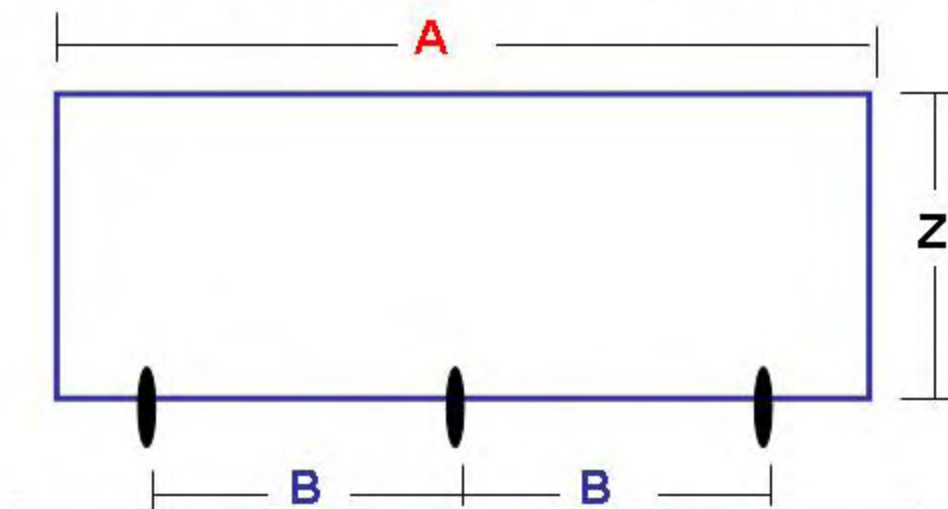
X = Maximum width of 1000mm

Y = Maximum width of 700mm centres

Z = Domestic height from FFL 1000mm Glass thickness 12mm toughened

Z = Pool Fence height from FFL 1200mm Glass thickness 12mm toughened

Z = Commercial height from FFL 1100mm Glass thickness 12mm toughened



Domestic or Pool Fence Set out for 3 Strut posts per panel

A = Maximum width of 2300mm

B = Maximum width of 1000mm centres

Commercial Set out for 3 Strut posts per panel

A = Maximum width of 1700mm

B = Maximum width of 700mm centres

* Specific drawings available for Commercial & Domestic installations available on request for timber, concrete & steel installations *

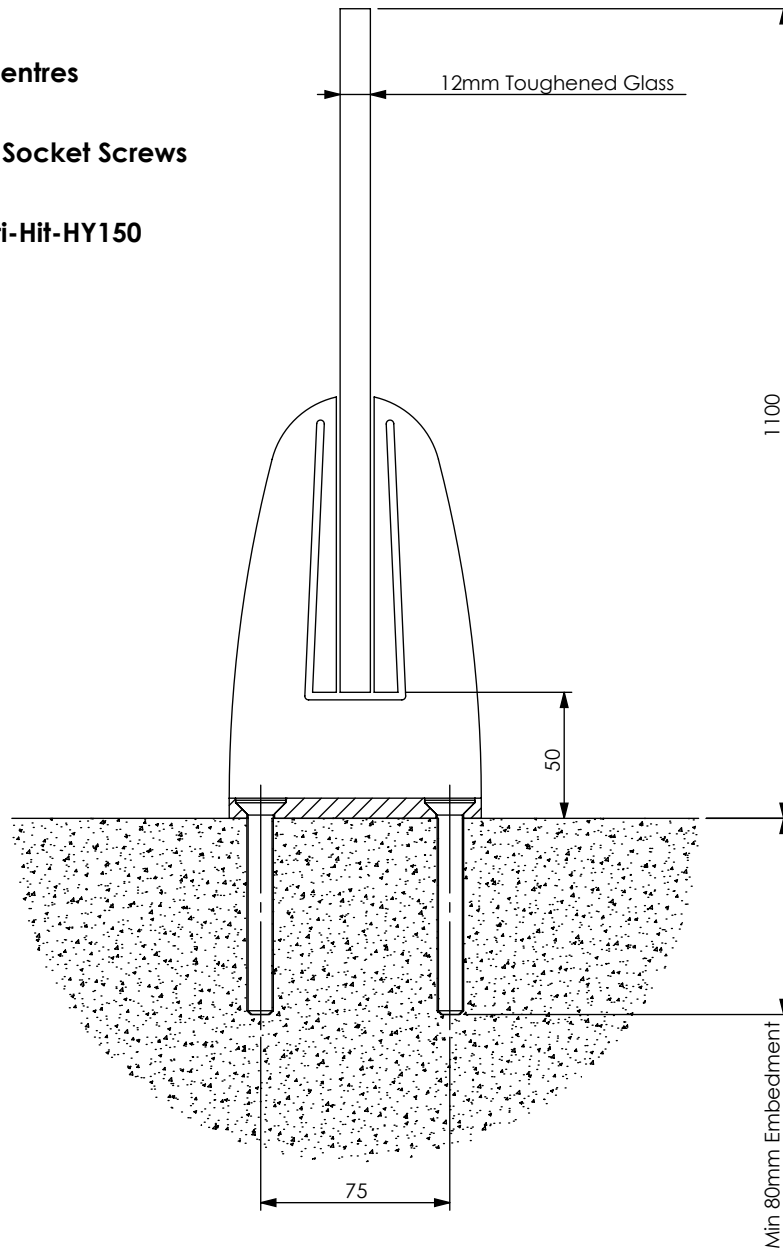
N3/1 Nautech Base Fix Strut - Commercial Concrete

316 S/S
Nautech Base Fix Strut

Fixed at Max 700mm Centres

Fixings:
4x M10x100mm CSunk Socket Screws

Chemical Anchor:
Sika'1 Anchor Fix or Hilti-Hit-HY150



Note:

Capacity of deck structure to be in accordance with load specified on the attached producer statement.

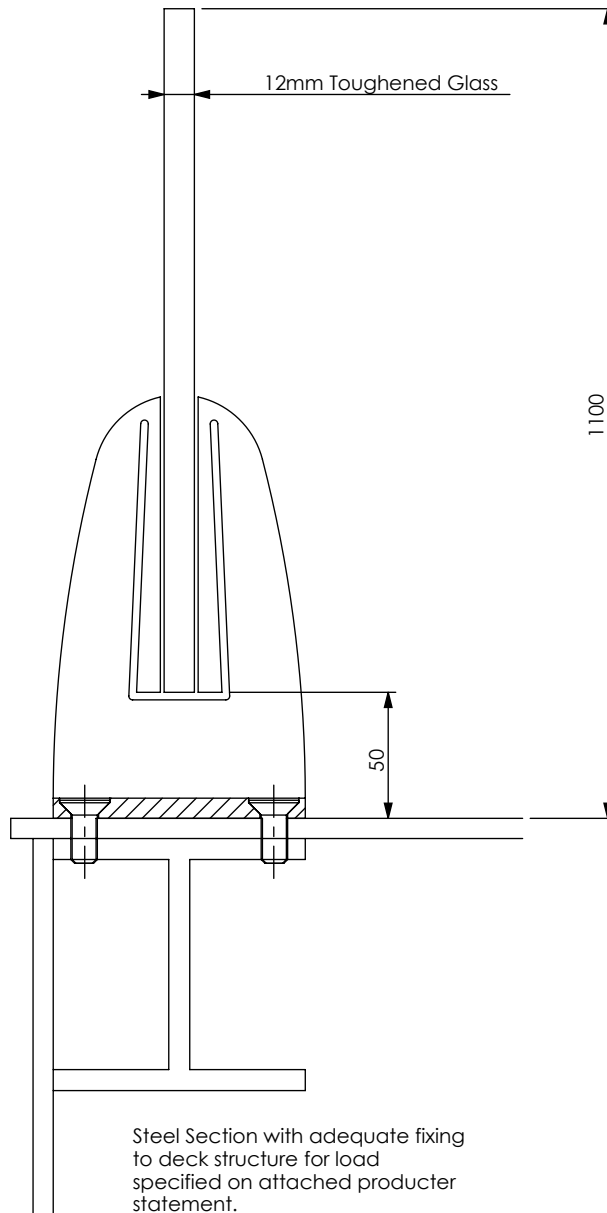
Deck capacity to be verified prior to fixing balustrade.

N3/2 Nautech Base Fix Strut - Commercial Steel

316 S/S
Nautech Base Fix Strut

Fixed at Max 700mm Centres

Fixings:
4x M10 CSunk Socket Screws



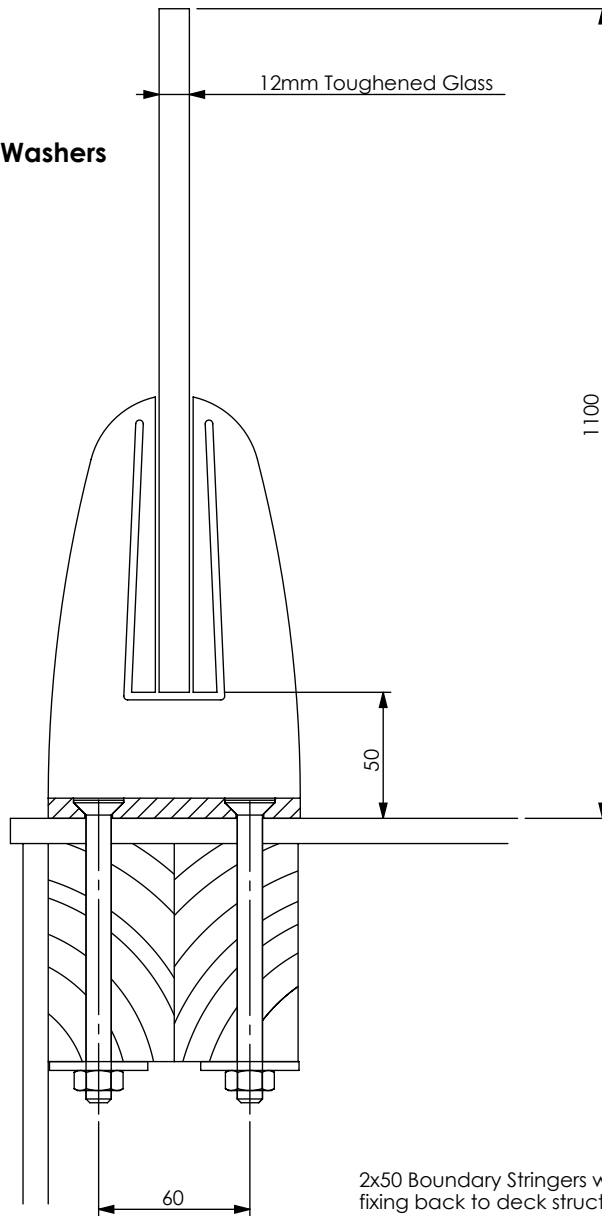
Note:
Capacity of deck structure to be in accordance with load specified on the attached producer statement.
Deck capacity to be verified prior to fixing balustrade.

N3/3 Nautech Base Fix Strut - Commercial Timber

316 S/S
Nautech Base Fix Strut

Fixed at Max 700mm Centres

Fixings:
4x M10 CSunk Socket Screws, Nuts & Washers
Per Strut



2x50 Boundary Stringers with adequate fixing back to deck structure for load specified on attached producer statement.

Note:

Capacity of deck structure to be in accordance with load specified on the attached producer statement.

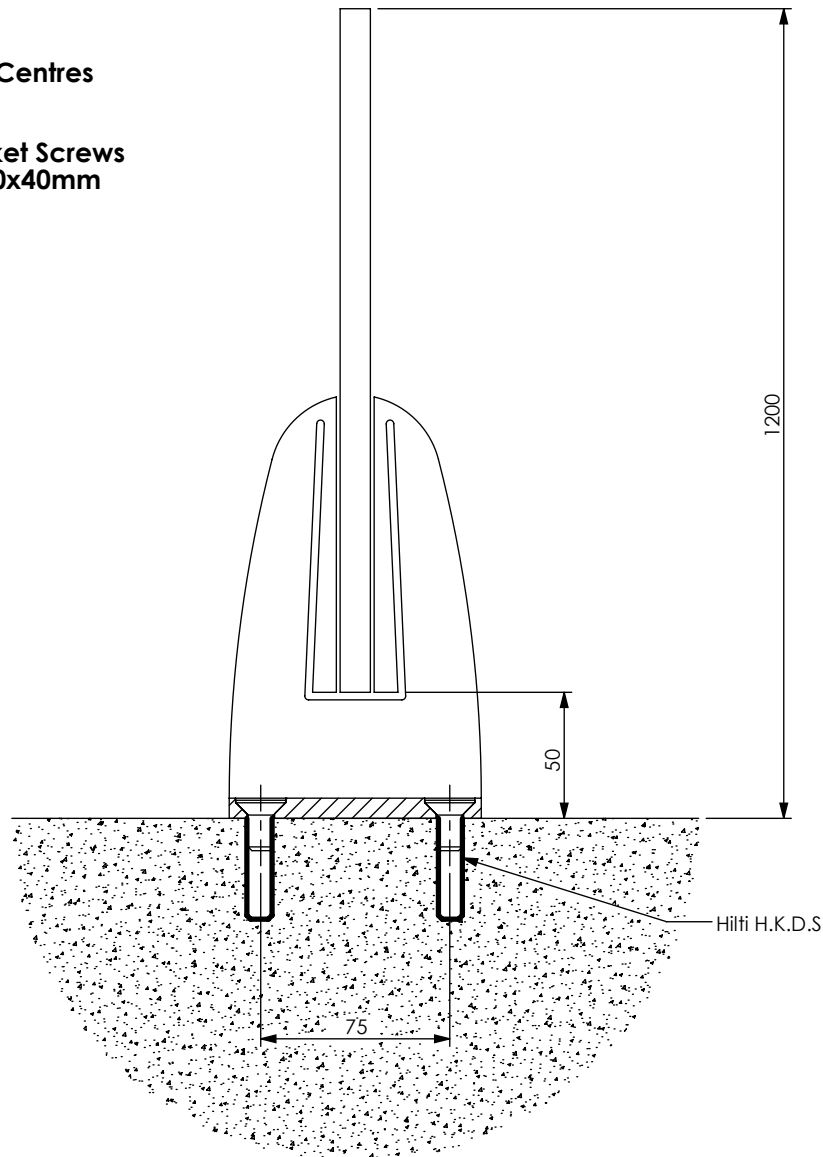
Deck capacity to be verified prior to fixing balustrade.

N4/1/1 Nautech Base Fix Strut - Pool Fence Concrete

316 S/S
Nautech Base Fix Strut

Fixed at Max 1000mm Centres

Fixings:
4x M10 S/S CSunk Socket Screws
4x M10 Hilti H.K.D.S M10x40mm
Drop in Anchor



Note:

Capacity of deck structure to be in accordance with load specified on the attached producer statement.

Deck capacity to be verified prior to fixing balustrade.

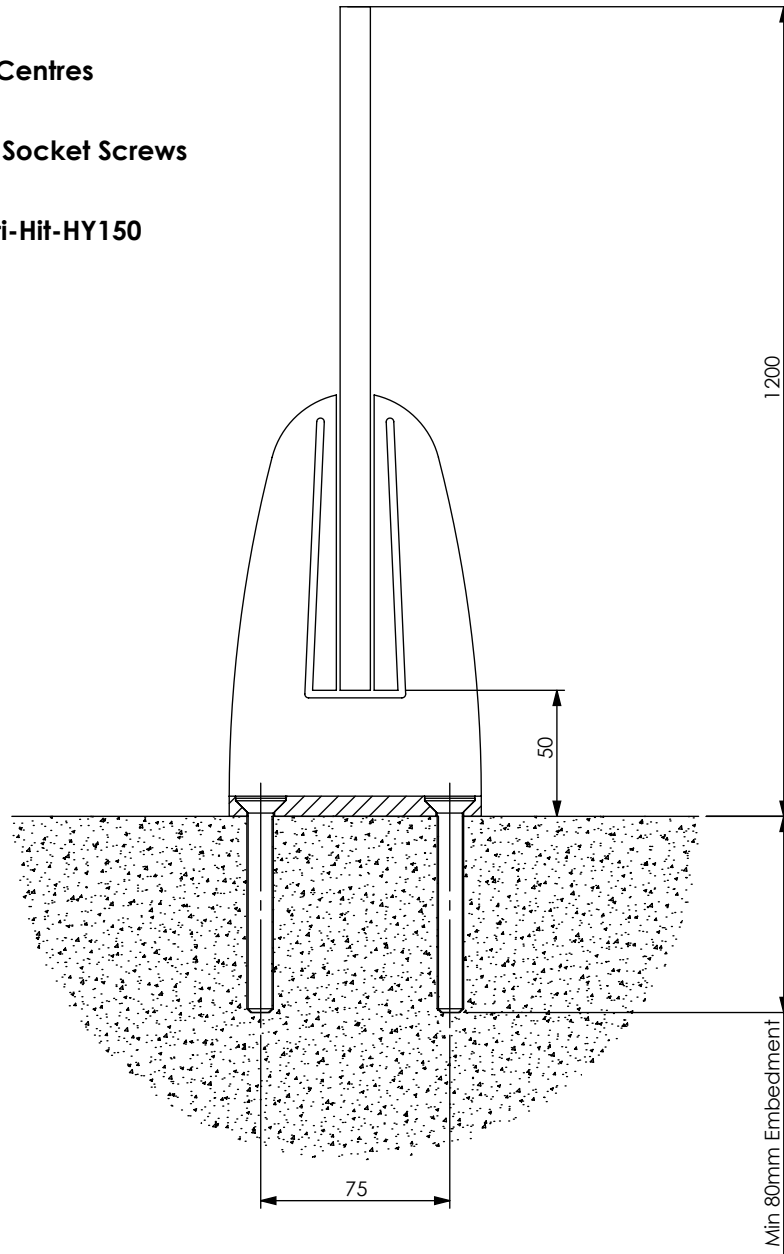
N4/1 Nautech Base Fix Strut - Pool Fence Concrete

316 S/S
Nautech Base Fix Strut

Fixed at Max 1000mm Centres

Fixings:
4x M10x100mm CSunk Socket Screws

Chemical Anchor:
Sika'1 Anchor Fix or Hilti-Hit-HY150



Note:

Capacity of deck structure to be in accordance with load specified on the attached producer statement.

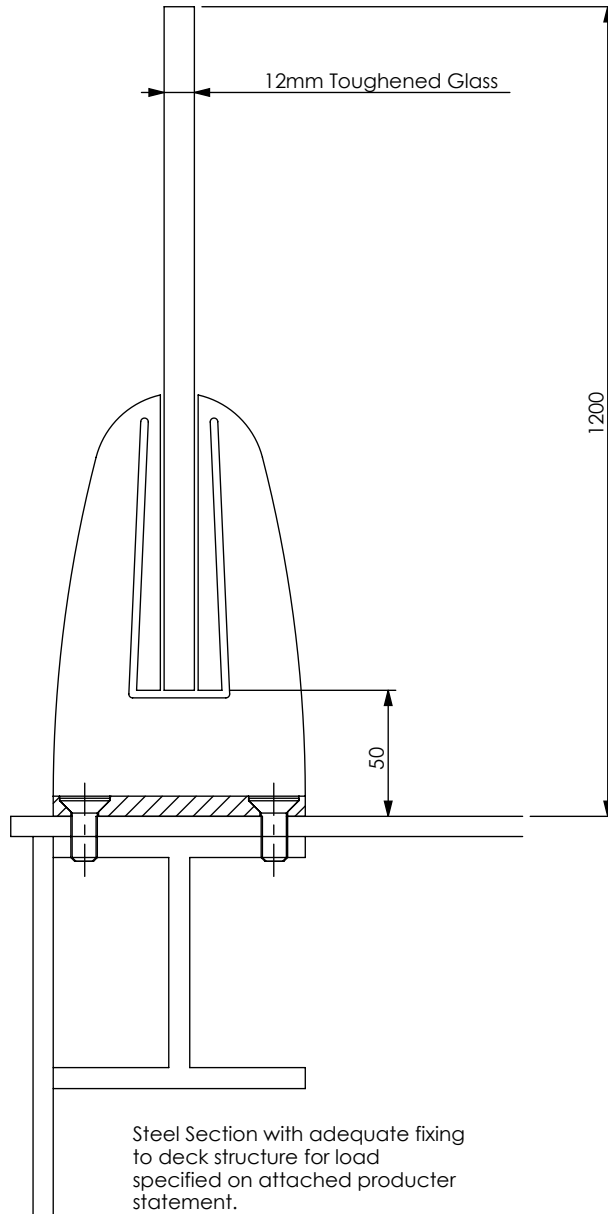
Deck capacity to be verified prior to fixing balustrade.

N4/2 Nautech Base Fix Strut - Pool Fence Steel

316 S/S
Nautech Base Fix Strut

Fixed at Max 1000mm Centres

Fixings:
4x M10 CSunk Socket Screws



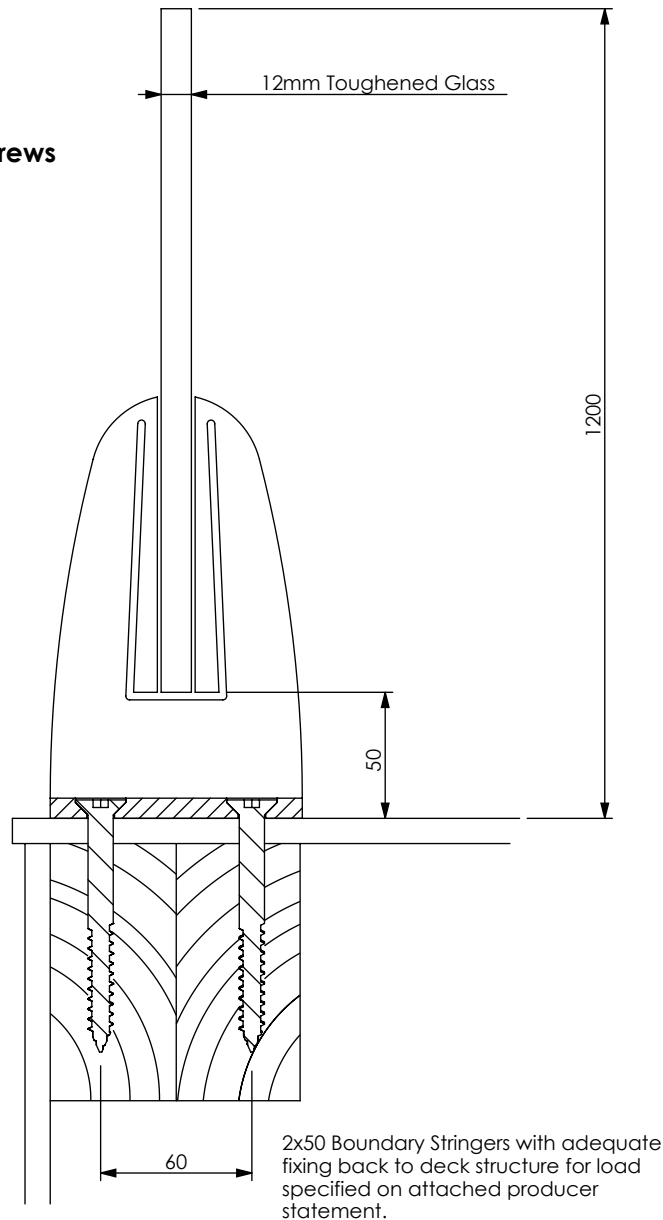
Note:
Capacity of deck structure to be in accordance with load specified on the attached producer statement.
Deck capacity to be verified prior to fixing balustrade.

N4/3 Nautech Base Fix Strut - Pool Fence Timber

316 S/S
Nautech Base Fix Strut

Fixed at Max 1000mm Centres

Fixings:
4x M10x100mm S/S CSunk Coach Screws
Per Strut



Note:
Capacity of deck structure to be in accordance with load specified on the attached producer statement.
Deck capacity to be verified prior to fixing balustrade.

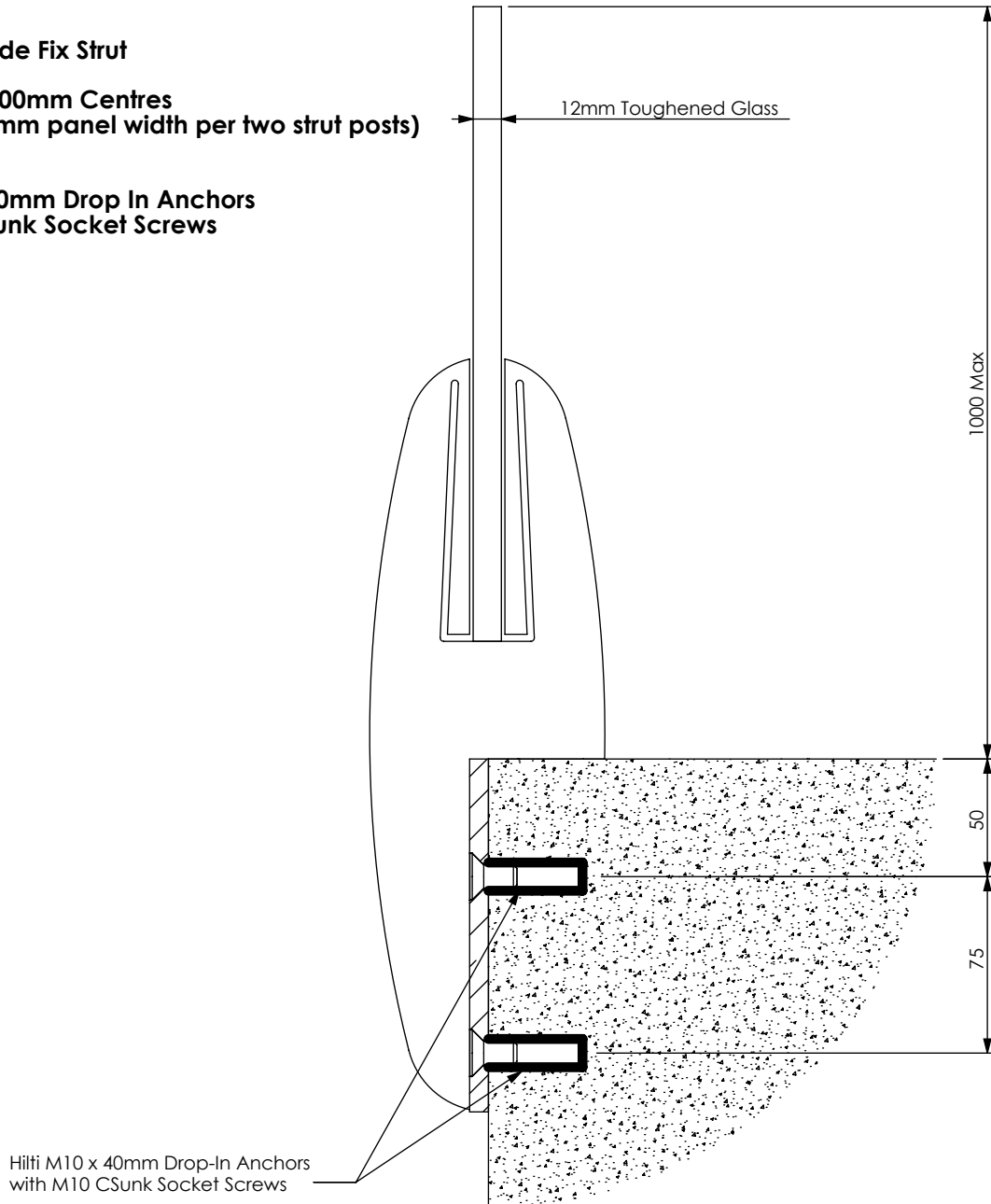
METRO FRAMELESS

N5/1/1 Nautech Side Fix Strut - Domestic Concrete

316 S/S
Nautech Side Fix Strut

Fixed at 1000mm Centres
(Max 1300mm panel width per two strut posts)

Fixings:
4x M10 x 40mm Drop In Anchors
4x M10 CSunk Socket Screws



Note:

Capacity of deck structure to be in accordance with load specified on the attached producer statement.

Deck capacity to be verified prior to fixing balustrade.

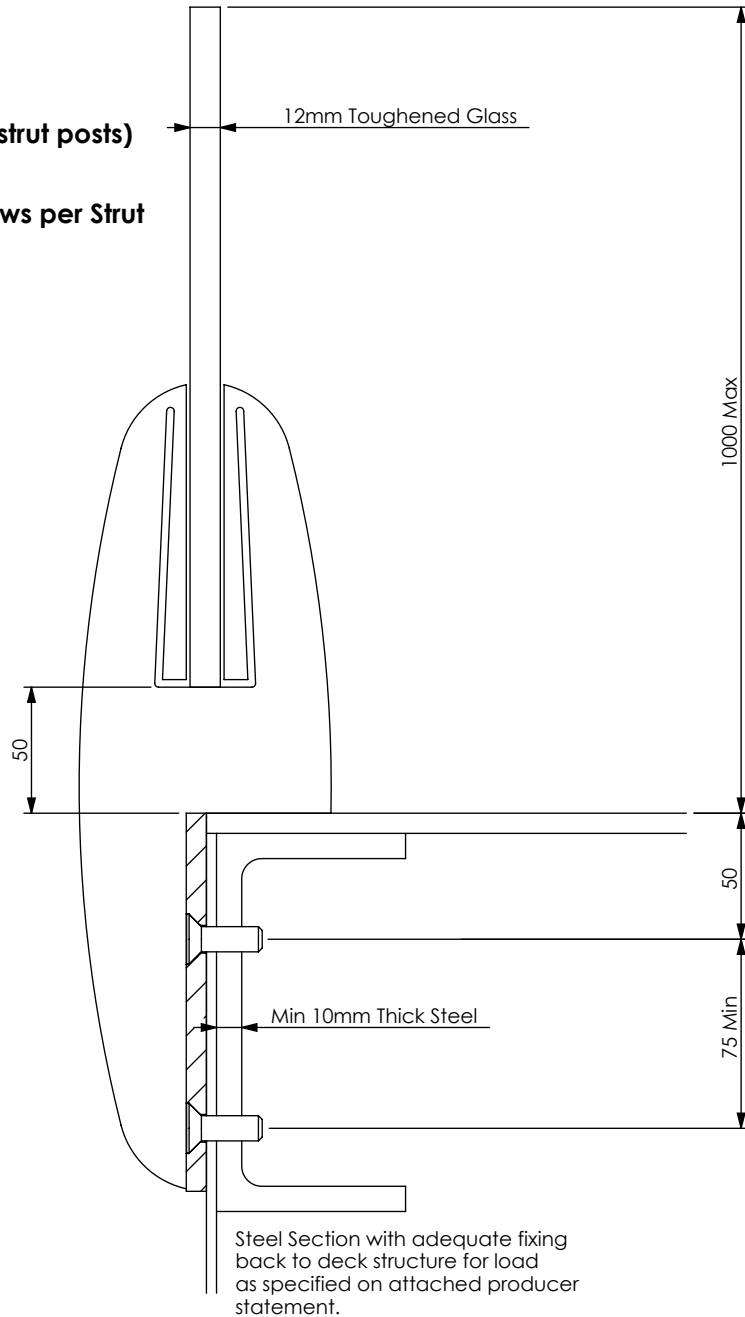
METRO FRAMELESS

N5/2 Nautech Side Fix Strut - Domestic Steel Fix

316 S/S
Nautech Side Fix Strut

Fixed at 1000mm Centres
(Max 1300mm panel width per two strut posts)

Fixings:
4x M10 Stainless CSunk Socket Screws per Strut



Note:

Capacity of deck structure to be in accordance with load specified on the attached producer statement.

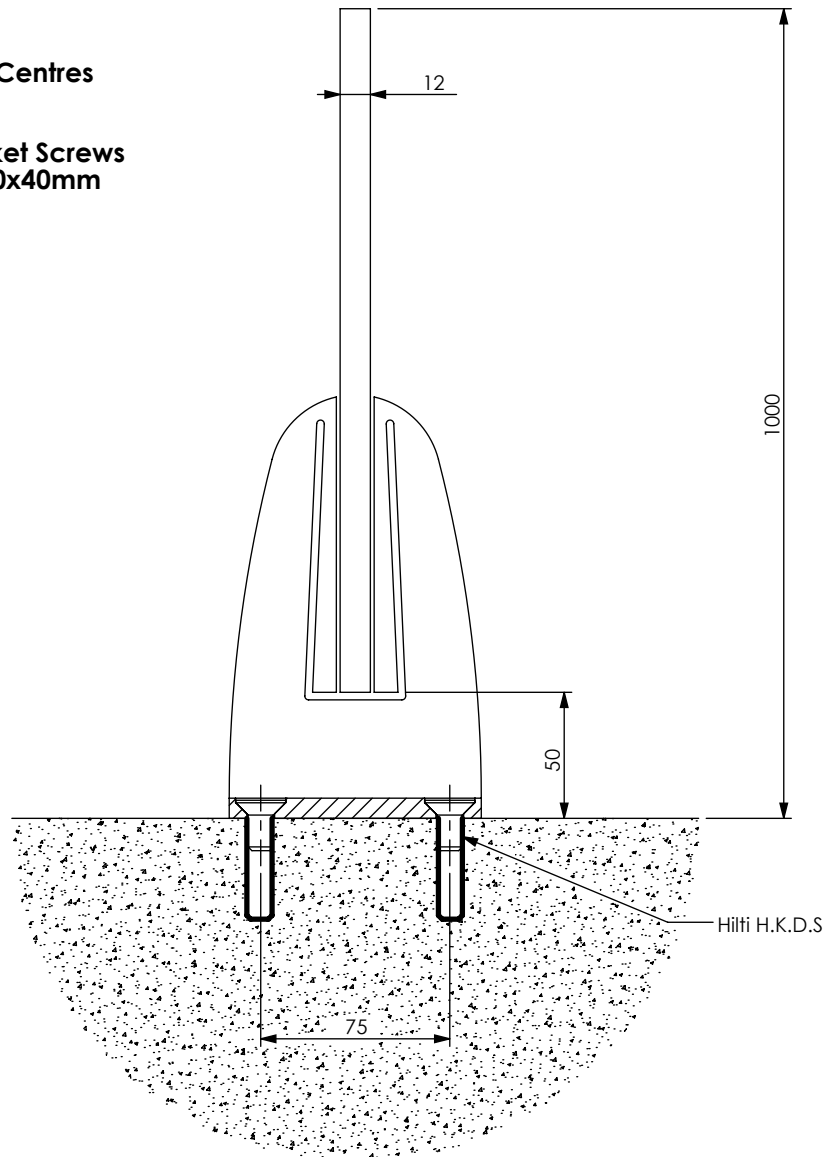
Deck capacity to be verified prior to fixing balustrade.

N6/1/1 Nautech Base Fix Strut - Domestic Concrete

316 S/S
Nautech Base Fix Strut

Fixed at Max 1000mm Centres

Fixings:
4x M10 S/S CSunk Socket Screws
4x M10 Hilti H.K.D.S M10x40mm
Drop in Anchor



Note:

Capacity of deck structure to be in accordance with load specified on the attached producer statement.

Deck capacity to be verified prior to fixing balustrade.

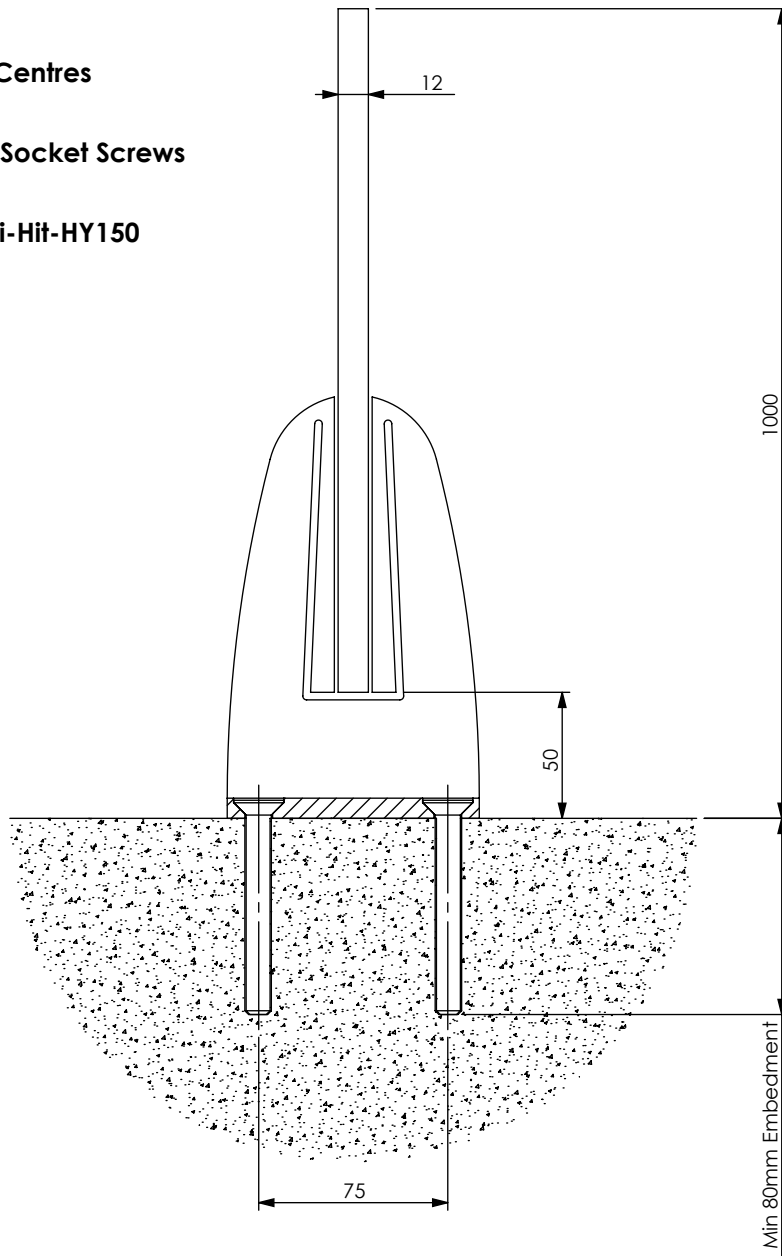
N6/1 Nautech Base Fix Strut - Domestic Concrete

316 S/S
Nautech Base Fix Strut

Fixed at Max 1000mm Centres

Fixings:
4x M10x100mm CSunk Socket Screws

Chemical Anchor:
Sika'1 Anchor Fix or Hilti-Hit-HY150



Note:

Capacity of deck structure to be in accordance with load specified on the attached producer statement.

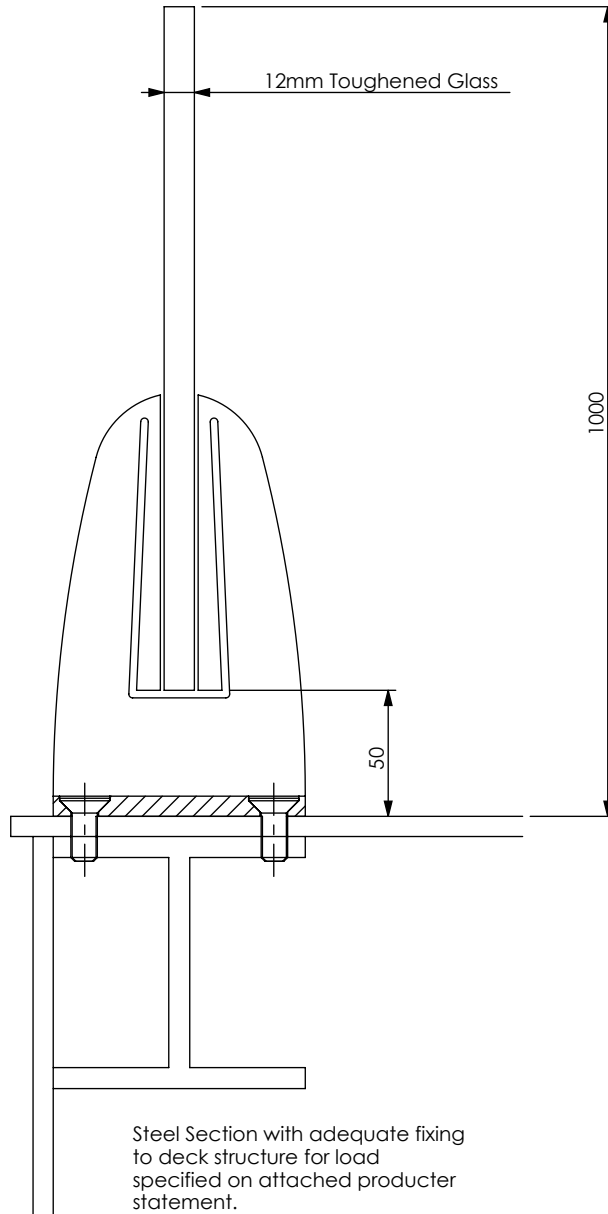
Deck capacity to be verified prior to fixing balustrade.

N6/2 Nautech Base Fix Strut - Domestic Steel

316 S/S
Nautech Base Fix Strut

Fixed at Max 1000mm Centres

Fixings:
4x M10 CSunk Socket Screws



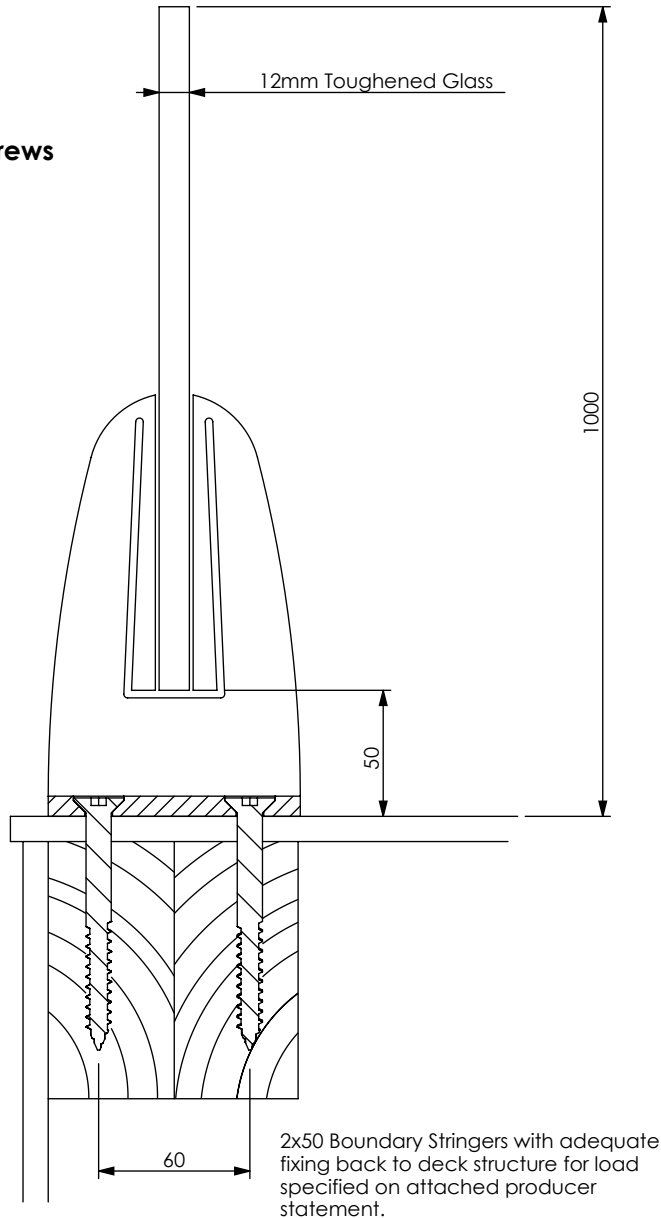
Note:
Capacity of deck structure to be in accordance with load specified on the attached producer statement.
Deck capacity to be verified prior to fixing balustrade.

N6/3 Nautech Base Fix Strut - Domestic Timber

316 S/S
Nautech Base Fix Strut

Fixed at Max 1000mm Centres

Fixings:
4x M10x100mm S/S CSunk Coach Screws



Note:

Capacity of deck structure to be in accordance with load specified on the attached producer statement.

Deck capacity to be verified prior to fixing balustrade.

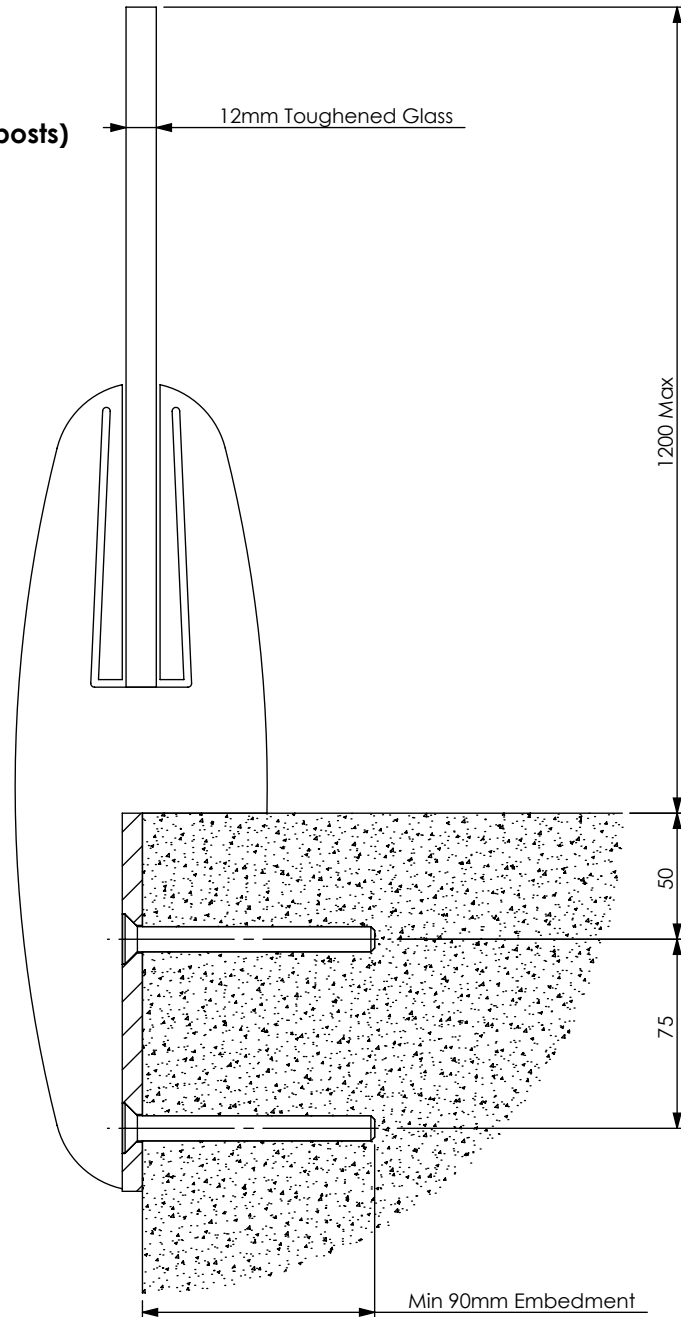
N1/1 Nautech Side Fix Strut - Pool Fence Concrete

316 S/S
Nautech Side Fix Strut

Fixed at 1000mm Centres
(Max 1500mm panel width per two strut posts)

Fixings:
4x M10x100mm CSunk Socket Screws

Chemical Anchor:
Sika'1 Anchor Fix or Hilti-Hit-HY150



Note:

Capacity of deck structure to be in accordance with load specified on the attached producer statement.

Deck capacity to be verified prior to fixing balustrade.

METRO FRAMELESS

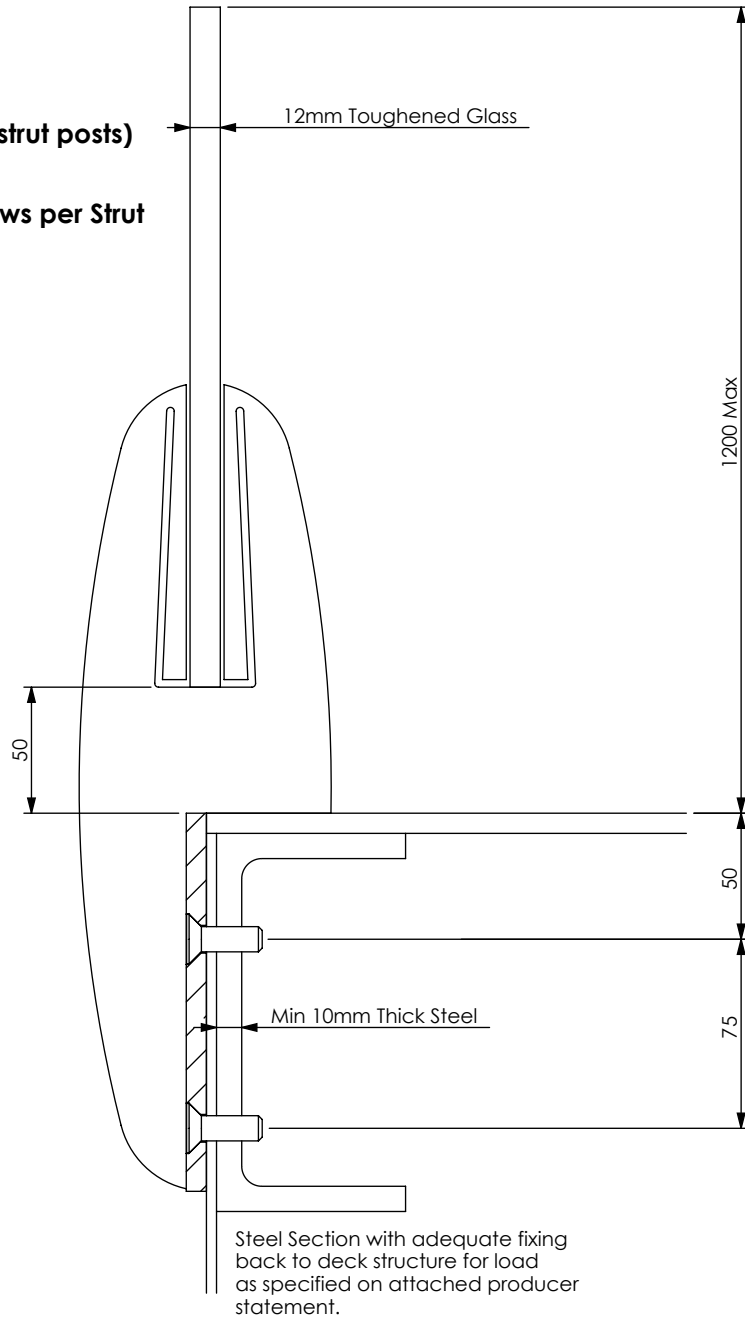
N1/2

Nautech Side Fix Strut - Pool Fence Steel Fix

316 S/S
Nautech Side Fix Strut

Fixed at 1000mm Centres
(Max 1500mm panel width per two strut posts)

Fixings:
4x M10 Stainless CSunk Socket Screws per Strut



Note:

Capacity of deck structure to be in accordance with load specified on the attached producer statement.

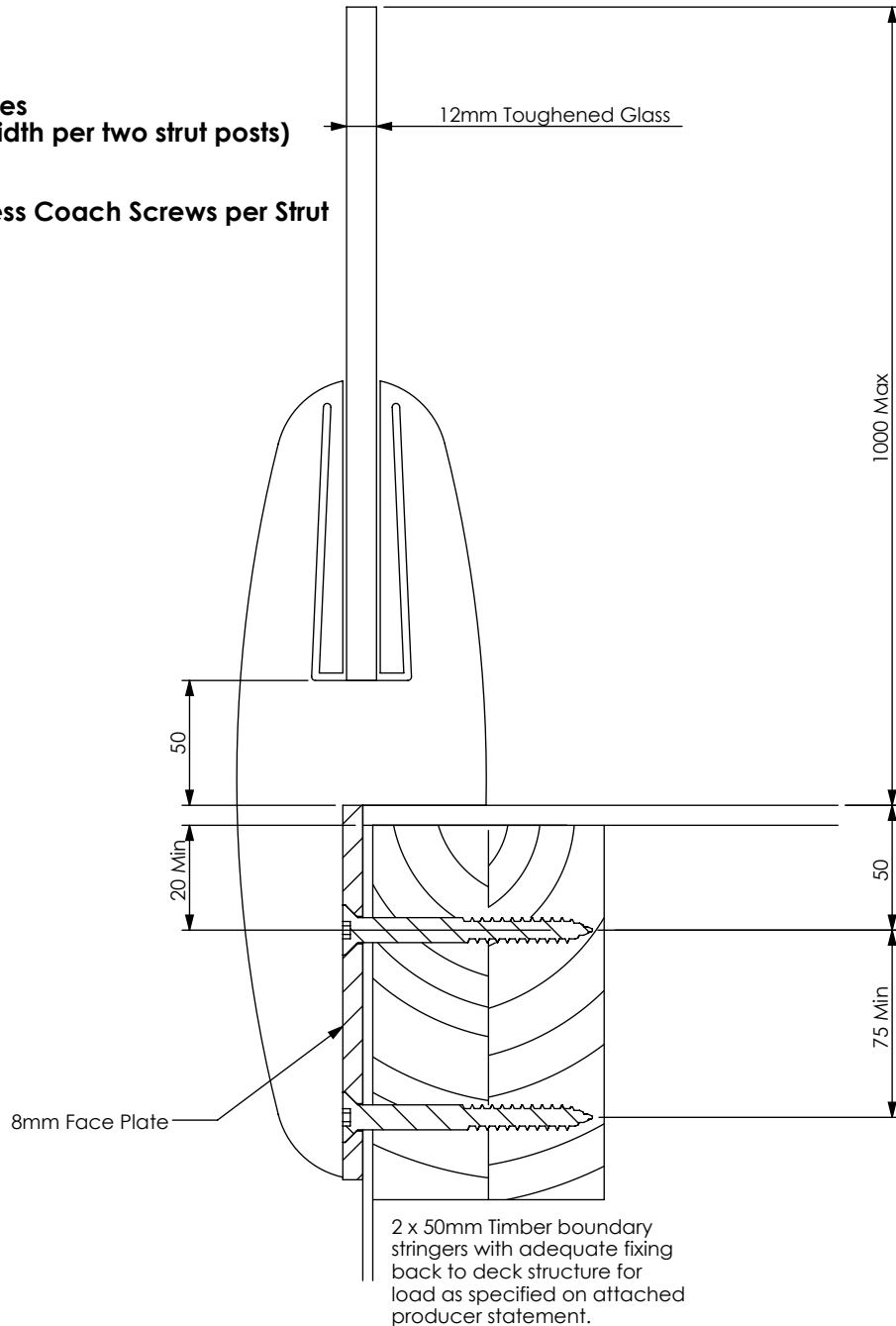
Deck capacity to be verified prior to fixing balustrade.

N1/3 Nautech Side Fix Strut - Pool Fence Timber Fix

316 S/S
Nautech Side Fix Strut

Fixed at 1000mm Centres
(Max 1500mm panel width per two strut posts)

Fixings:
4x M10 x100mm Stainless Coach Screws per Strut



Note:

Capacity of deck structure to be in accordance with load specified on the attached producer statement.

Deck capacity to be verified prior to fixing balustrade.

N2/1

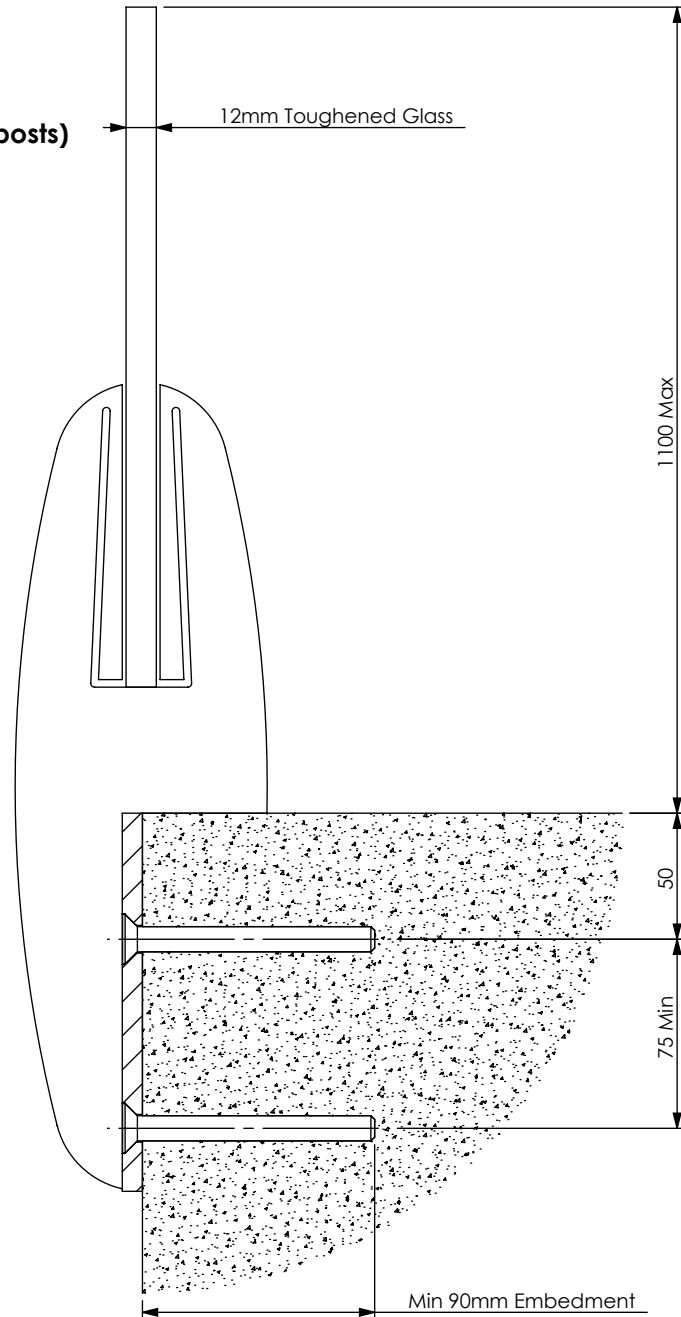
Nautech Side Fix Strut - Commercial Concrete

316 S/S
Nautech Side Fix Strut

Fixed at 700mm Centres
(Max 1000mm panel width per two strut posts)

Fixings:
4x M10x100mm CSunk Socket Screws

Chemical Anchor:
Sika'1 Anchor Fix or Hilti-Hit-HY150



Note:

Capacity of deck structure to be in accordance with load specified on the attached producer statement.

Deck capacity to be verified prior to fixing balustrade.

METRO FRAMELESS

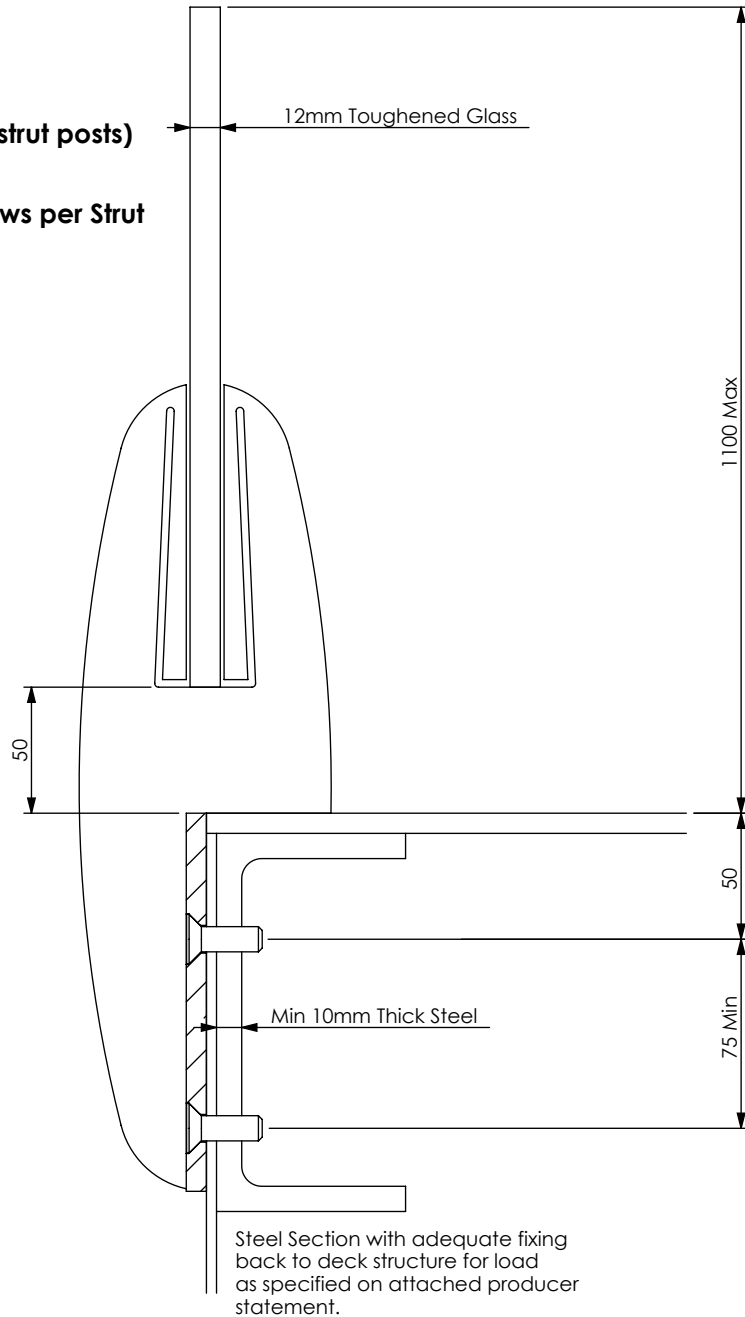
N2/2

Nautech Side Fix Strut - Commercial Steel Fix

**316 S/S
Nautech Side Fix Strut**

**Fixed at 700mm Centres
(Max 1000mm panel width per two strut posts)**

**Fixings:
4x M10 Stainless CSunk Socket Screws per Strut**



Note:

Capacity of deck structure to be in accordance with load specified on the attached producer statement.

Deck capacity to be verified prior to fixing balustrade.

METRO FRAMELESS

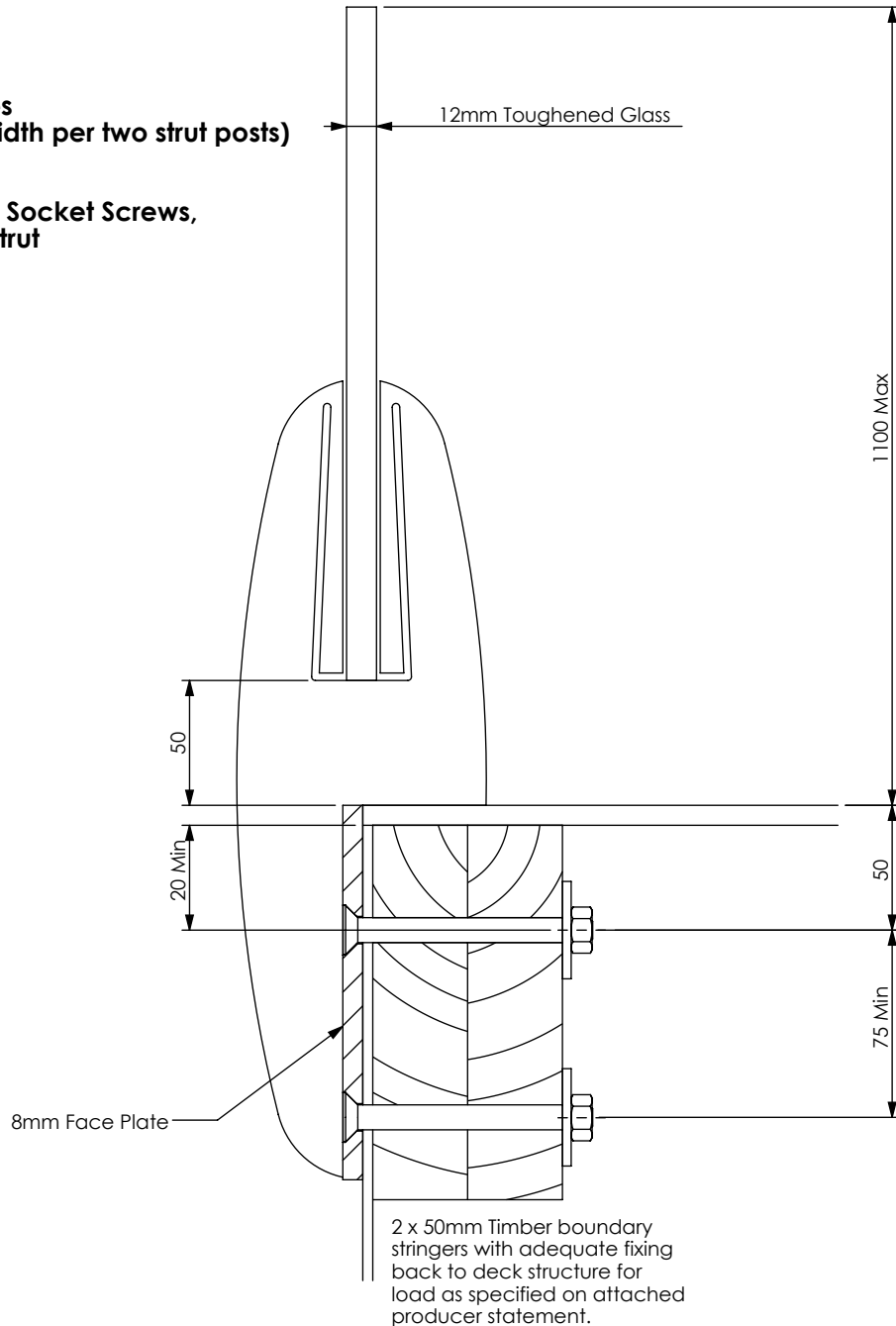
N2/3

Nautech Side Fix Strut - Commercial Timber Fix

316 S/S
Nautech Side Fix Strut

Fixed at 700mm Centres
(Max 1000mm panel width per two strut posts)

Fixings:
4x M10 Stainless CSunk Socket Screws,
Nuts and washers per Strut



Note:

Capacity of deck structure to be in accordance with load specified on the attached producer statement.

Deck capacity to be verified prior to fixing balustrade.

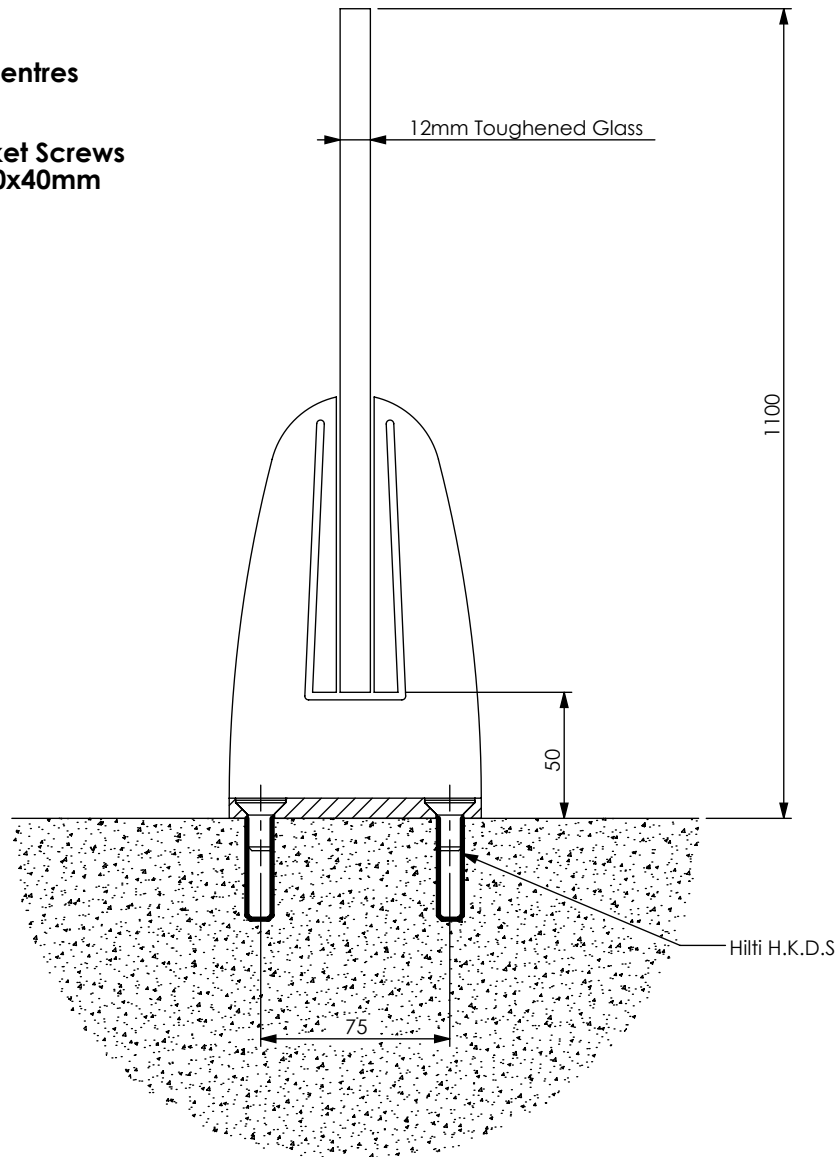
METRO FRAMELESS

N3/1/1 Nautech Base Fix Strut - Commercial Concrete

316 S/S
Nautech Base Fix Strut

Fixed at Max 700mm Centres

Fixings:
4x M10 S/S CSunk Socket Screws
4x M10 Hilti H.K.D.S M10x40mm
Drop in Anchor



Note:

Capacity of deck structure to be in accordance with load specified on the attached producer statement.

Deck capacity to be verified prior to fixing balustrade.





