

Designer Guides



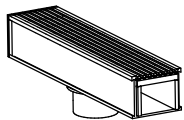
Slimline by Stormtech
Architectural Grates and Drains

Welcome to Stormtech

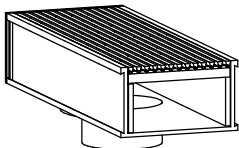
Stormtech specialises in architectural stainless steel lineal drainage solution in a variety of areas including bathrooms, thresholds, courtyards, paved areas, pool surrounds, and balconies.

Stormtech are the inventors of the original Slot Drain and lineal drains for showers.

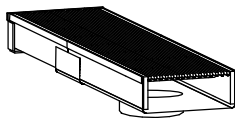
Stormtech Pty Ltd Slim Line Grates and Drains are patented and unique in their efficiency and adaptability. Allowing for both new building and retrofit for renovations, they provide a beautiful finish with ease of access for architectural requirements or assisted movement access. Further, they connect directly with all standard plumbing fittings, and have Standards Australia International certification.



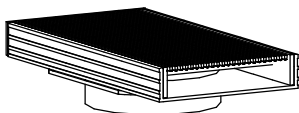
1. 38mm Architectural Grate



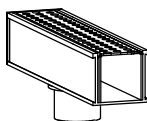
2. 65mm Architectural Grate



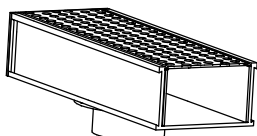
3. 65mm All Stainless



4. 100mm Architectural Grate



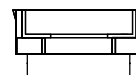
5. 38mm Perforated Grate



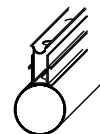
6. 65mm Perforated Grate



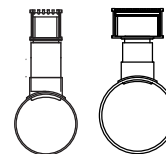
7. 65 Tile Insert Frame



8. 100 Tile Insert Frame

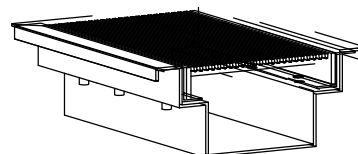


9. Slot drain



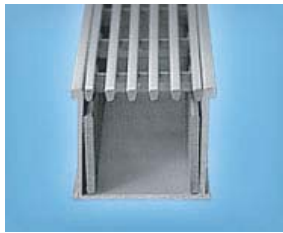
10. Special Assembly

11. Custom solutions



12. Vinyl Clamp

38AG Product Information



38AG

38mm wide Architectural Stainless Steel grate with PVC channel

Product Description

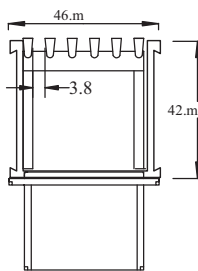
This innovative product removes water from the trench along its length using one or more outlets, improving efficiency of the drain, removing far larger quantities of water than would otherwise be possible.

When large format tiles are selected, Stormtech is an essential component, as it removes the need to crosscut the tiles.

When used in bathrooms, particularly shower areas the slope of the floor can be made into a uniform direction, without the multiple fall required when using central floor drains. This increases safety significantly by allowing the use of non slip tiles, reducing the amount of water pooling on the floor surface and removing the need for steps, hobs and frames, thus reducing trip hazards.

The 316 stainless steel grate provides a prestige finish with design flexibility to allow it to be used in contemporary or classic styles.

Product Diagram



Product Applications

- ➔ Bathrooms
- ➔ Suspended Slabs and Balconies
- ➔ Thresholds and Doortracks
- ➔ Driveways
- ➔ Pools and Paved Areas
- ➔ Patios, Courtyards and Terraces
- ➔ Commercial Applications and Large Scale Projects
- ➔ Special Needs Access

Pages:

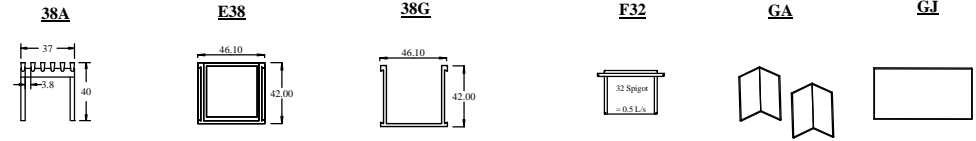
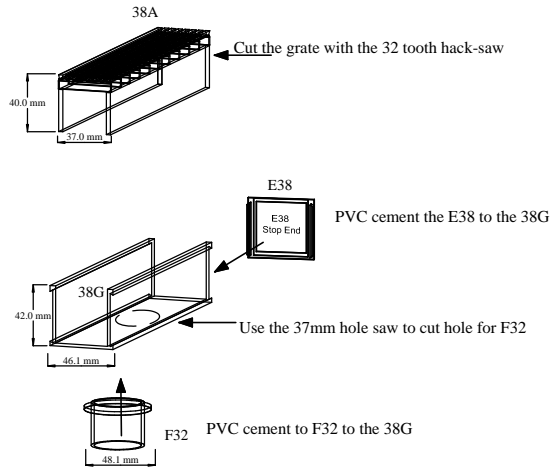
- 1, assembly instruction
- 2, installation - timber substrate
- 3, installation - concrete substrate
- 4, installation - bathroom
- 5, installation - threshold
- 6, installation - against wall

<http://www.stormtech.com.au/38ag.html>

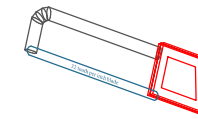


38AG Assembly Instructions

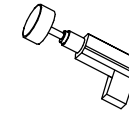
38AG components



Specific tools required



Hacksaw with 32 tooth per inch metal blade



Drill with 37mm hole saw, arbor is suggested



Clear PVC solvent cement

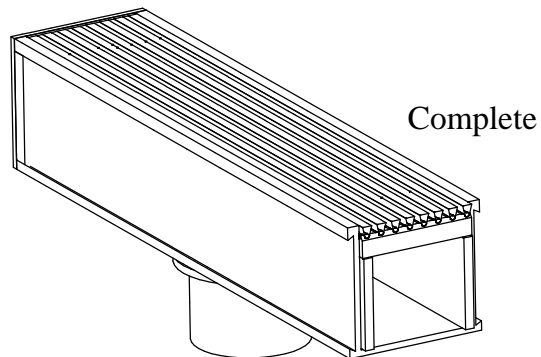
STEP 1 Cut the 38G channel to size. When measuring allow 5mm less for the E38 stop ends to fit, ie if 900mm is required, cut channel to 895mm.

STEP 2 Fit the E38 stop ends to the ends of the channel. Use the Clear PVC solvent cement to fix, ensure a tight fit with no gaps.

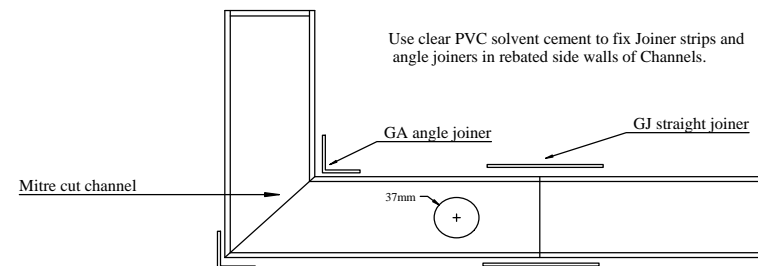
STEP 3 Cut outlet hole. Use a 37mm holesaw, with arbor to cut a hole in the base of the 38G channel. This hole should preferably be in the centre, however some offset is possible.

STEP 4 Fix the F32 to the underside of the 38G with Clear PVC solvent cement. Ensure clean fit into channel.

STEP 5 Cut the 38A grate to size. Use the 32 tooth hacksaw and cut by hand. Ensure cut is square. Gently file back rough edges for safety. **NOTE**, cut grate 2mm shorter than inside dimension of channel to ensure easy removal for cleaning.

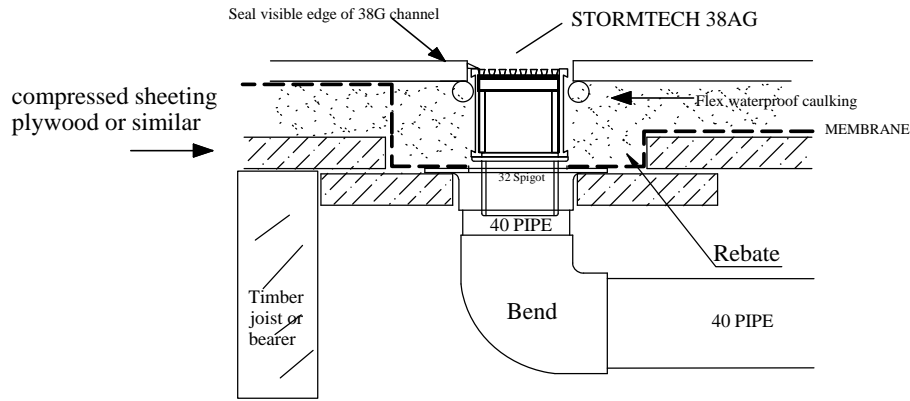


Straight joins and angle joins



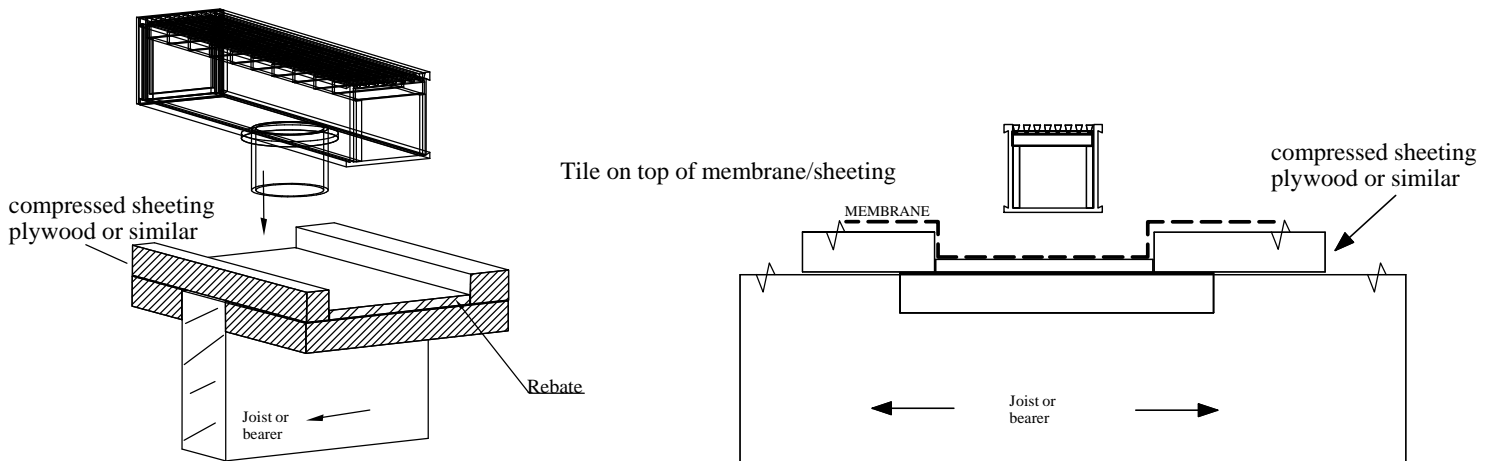
38AG TIMBER FLOOR/DECK Standard installation

When 38AG is running parrallel to joist/bearer



Provide access to drain pipes for cleaning

When 38AG is running perpendicular to joist/bearer

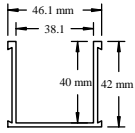


NOTE if waterproofing is required the rebate must be waterproofed before laying the 38AG system.

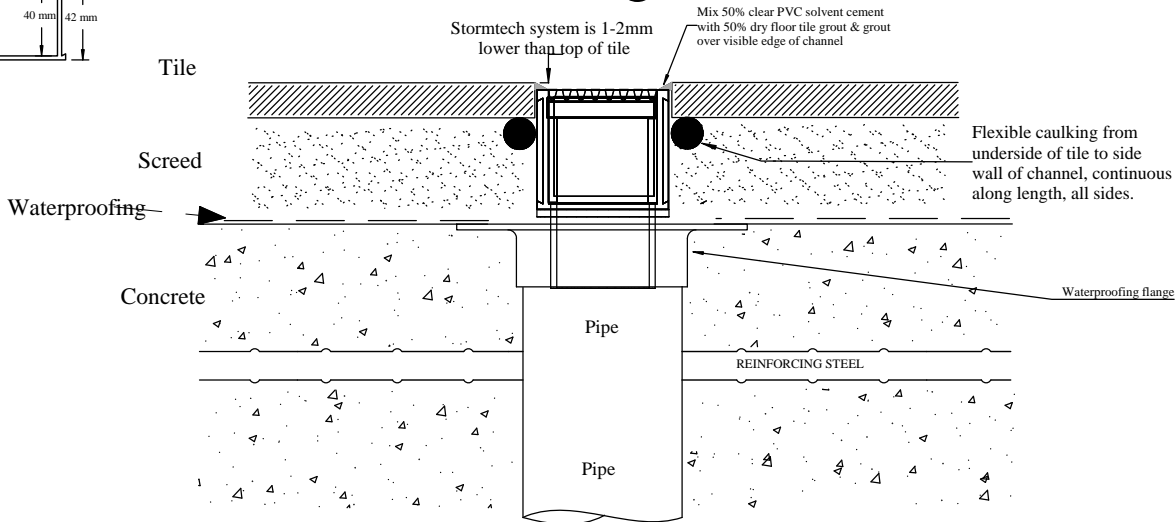
An F32 spigot fits in a 40 DWV pipe and should drain 0.5 L/s..... We recommend these Spigots every 1m.. not more than 0.5m from end. The loose fitting Spigots provide an outlet for moisture in the waterproof rebate and allows the Channel to be removed for safe keeping until tiling.

38AG CONCRETE FLOOR/DECK

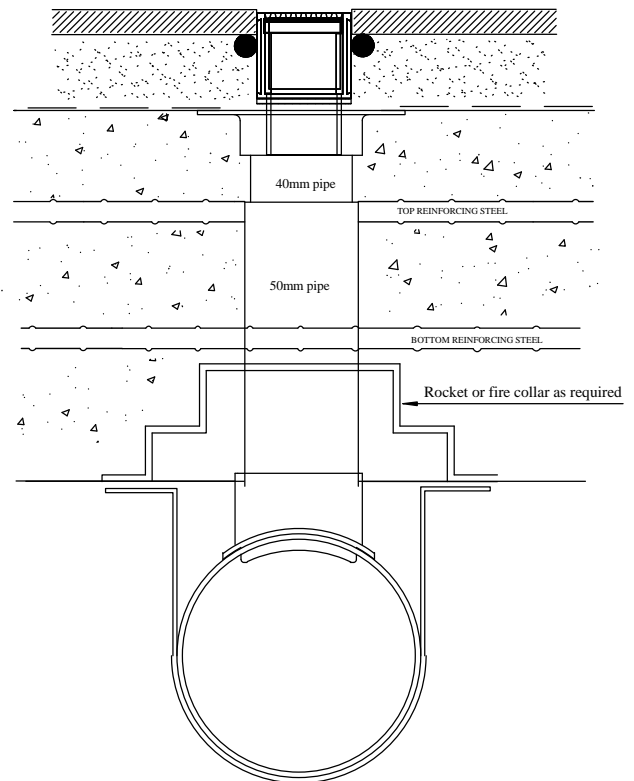
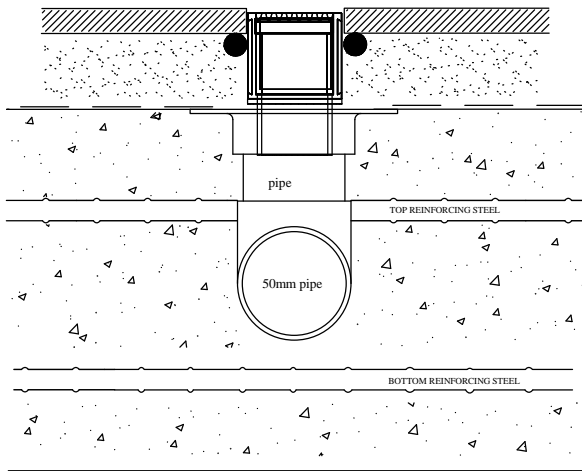
Standard installation



Slab on ground.



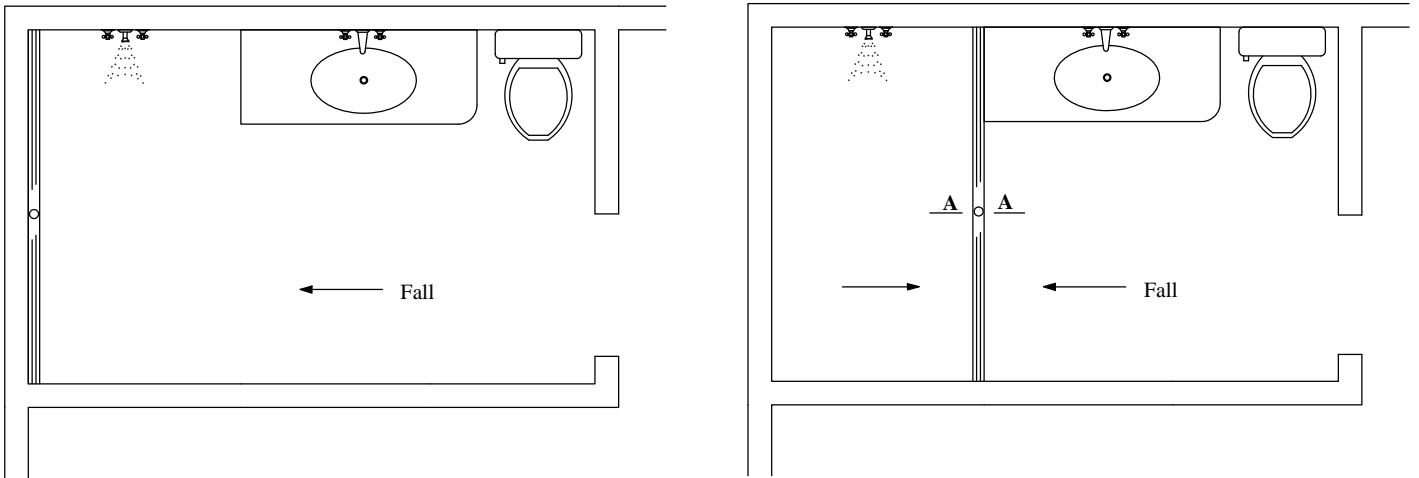
Suspended Slab



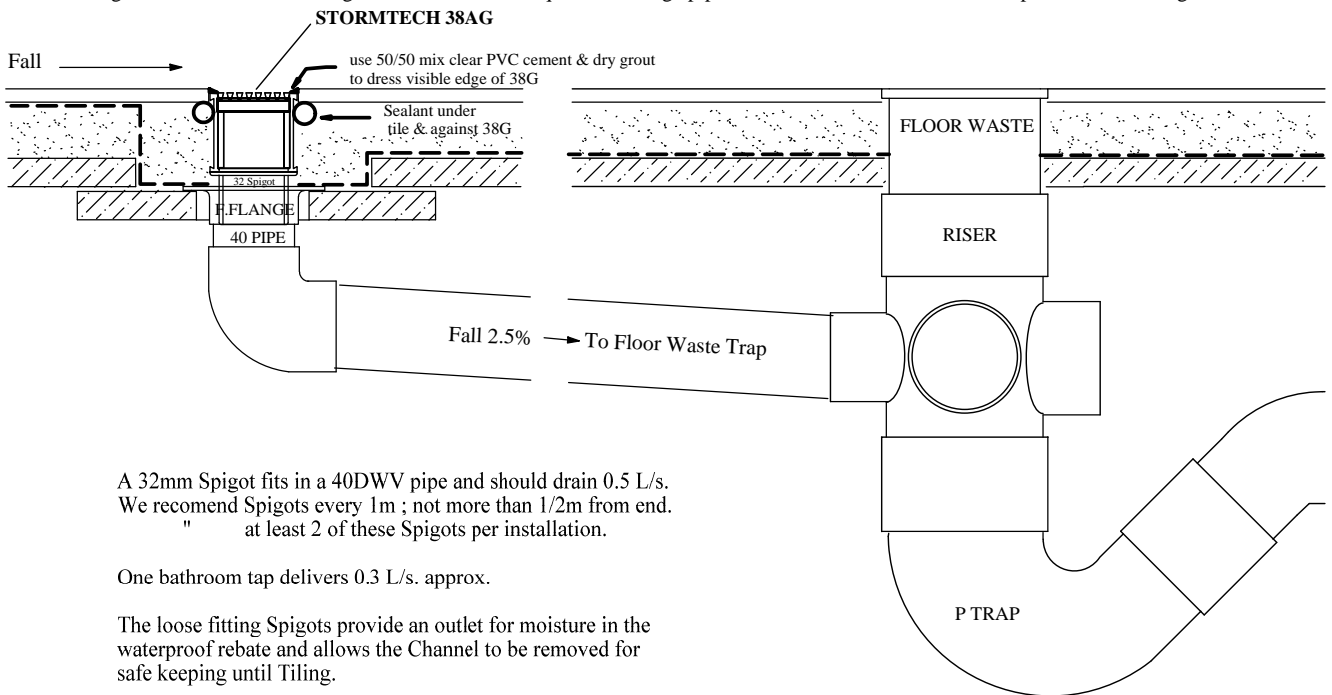
An F32 spigot fits in a 40 DWV pipe and should drain 0.5 L/s..... We recommend these Spigots every 1m, not more than 0.5m from end.
The loose fitting Spigots provide an outlet for moisture in the waterproof rebate and allows the Channel to be removed for safe keeping until tiling.

BATHROOM 38AG

www.stormtech.com.au



This design conforms with Plumbing Code AS3500 that requires discharge pipes be connected to a floor waste trap with removable grate.



A 32mm Spigot fits in a 40DWV pipe and should drain 0.5 L/s.
We recommend Spigots every 1m ; not more than 1/2m from end.
" at least 2 of these Spigots per installation.

One bathroom tap delivers 0.3 L/s. approx.

The loose fitting Spigots provide an outlet for moisture in the waterproof rebate and allows the Channel to be removed for safe keeping until Tiling.

Installations in suspended floors, should be in a waterproof rebate.



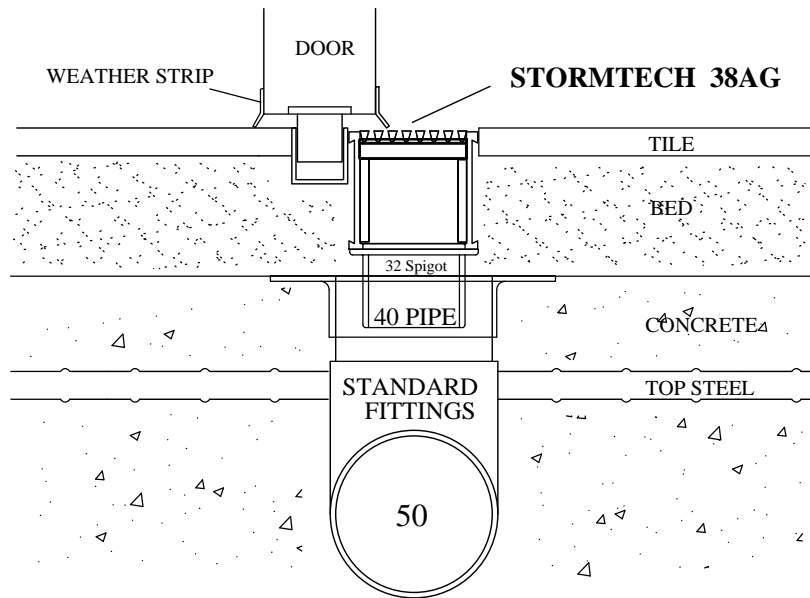
(Patent 733361)

STORMTECH Pty Ltd

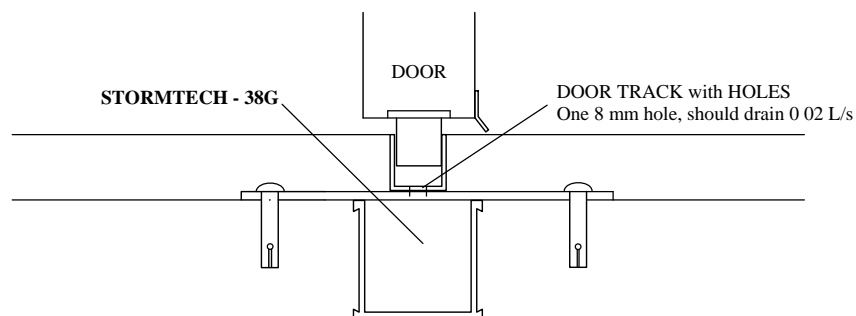
Architectural grates & drains

www.stormtech.com.au

38AG THRESHOLD



Provide access to drain pipes for cleaning.

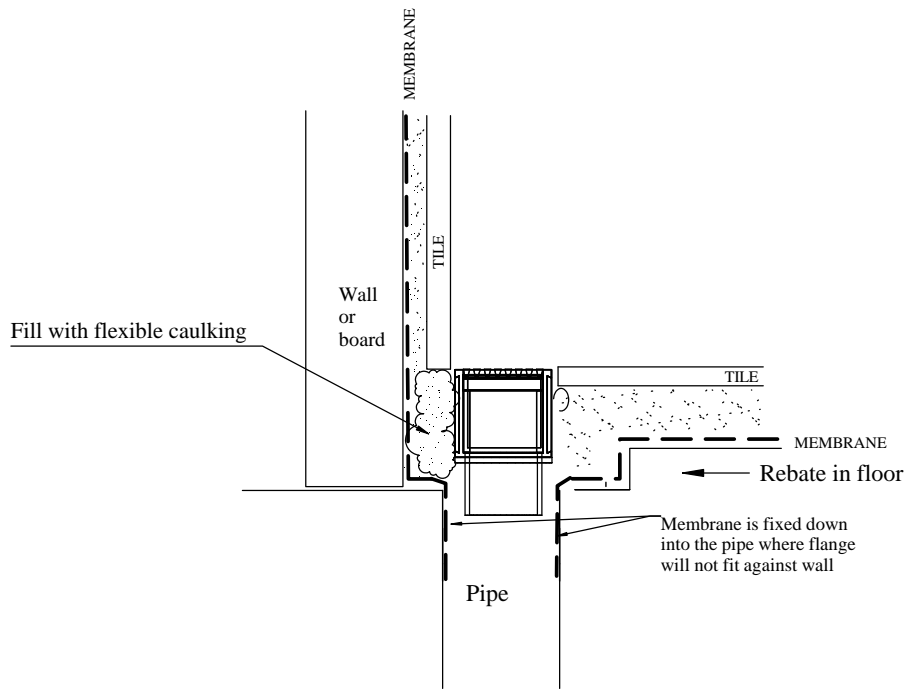


Suggested designs only.
Stormtech only supply the PVC drains.

(Patent 733361)

NOTE, all information remains the intellectual property of Stormtech Pty Ltd. This information is for reference only, no liability is accepted for any use of this information.

38AG Against Wall



65AG Product Information

<http://www.stormtech.com.au/65ag.html>



65AG

65mm Architectural Stainless Steel grate with PVC channel

Product Description

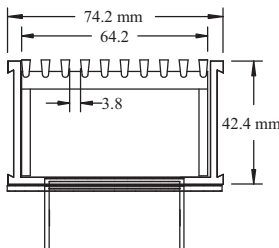
This innovative product removes water from the trench along its length using one or more outlets, improving efficiency of the drain, removing far larger quantities of water than would otherwise be possible.

When large format tiles are selected, Stormtech is an essential component, as it removes the need to crosscut the tiles.

When used in bathrooms, particularly shower areas the slope of the floor can be made into a uniform direction, without the multiple fall required when using central floor drains. This increases safety significantly by allowing the use of non-slip tiles, reducing the amount of water pooling on the floor surface and removing the need for steps, hobs and frames, thus reducing trip hazards.

The 316 stainless steel grate provides a prestige finish with design flexibility to allow it to be used in contemporary or classic styles.

Product Diagram



Product Applications

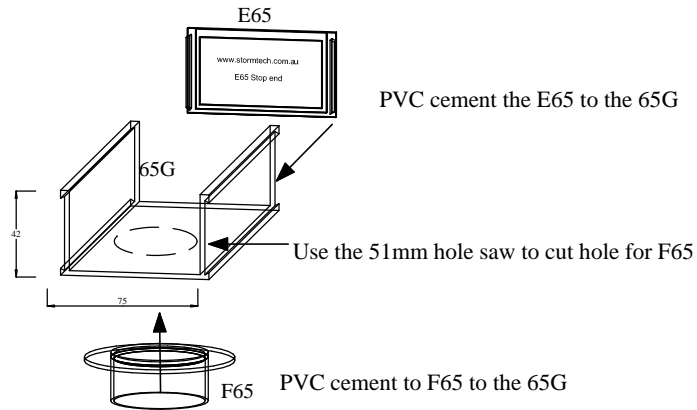
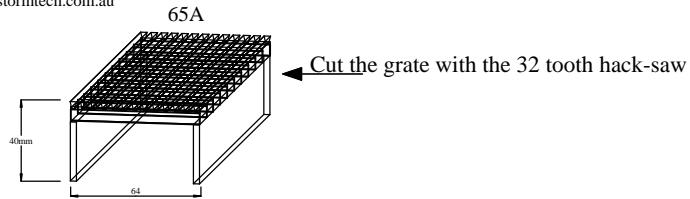
- Bathrooms
- Suspended Slabs and Balconies
- Thresholds and Doortracks
- Driveways
- Pools and Paved Areas
- Patios, Courtyards and Terraces
- Commercial Applications and Large Scale Projects
- Special Needs Access

Pages:

1. assembly instruction
2. installation - timber substrate
3. installation - concrete substrate
4. installation - bathroom
5. installation - threshold
6. installation - against wall



65AG Assembly Instructions



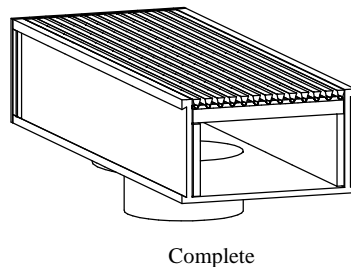
STEP 1 Cut the 65G channel to size. When measuring allow 5mm less for the E65 stop ends to fit, ie if 900mm is required, cut channel to 895mm.

STEP 2 Fit the E65 stop ends to the ends of the channel. Use the Clear PVC solvent cement to fix, ensure a tight fit with no gaps.

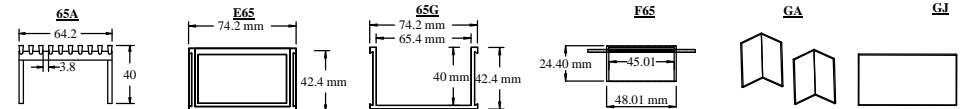
STEP 3 Cut outlet hole. Use a 51mm holesaw, with arbor to cut a hole in the base of the 65G channel. This hole should preferably be in the centre, however some offset is possible.

STEP 4 Fix the F65 to the underside of the 65G with Clear PVC solvent cement. Ensure clean fit into channel.

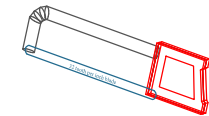
STEP 5 Cut the 65A grate to size. Use the 32 tooth hacksaw and cut by hand. Ensure cut is square. Gently file back rough edges for safety. NOTE, cut grate 2mm shorter than inside dimension of channel to ensure easy removal for cleaning.



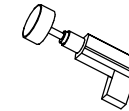
65AG components



Specific tools required



Hacksaw with 32 tooth per inch metal blade



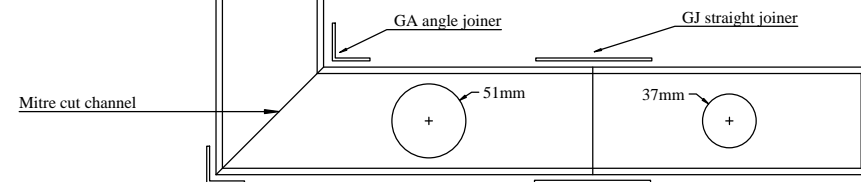
Drill with 51mm or 2" hole saw, arbor is suggested



Clear PVC solvent cement

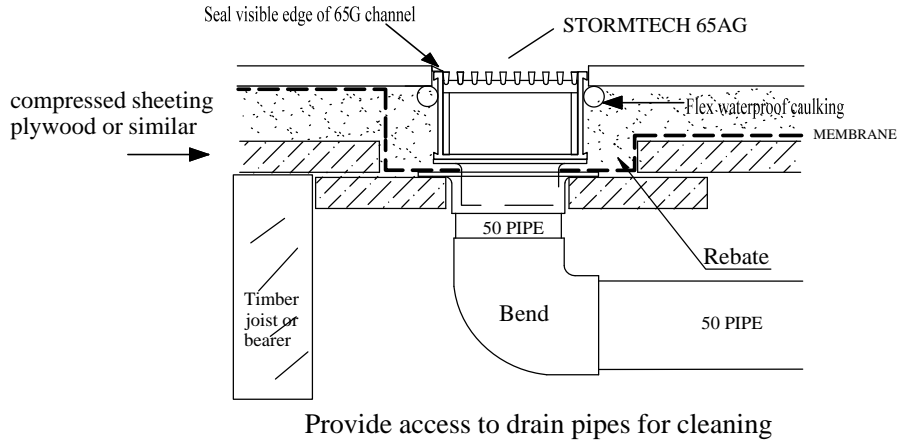
Straight joins and angle joins

Use clear PVC solvent cement to fix Joiner strips and angle joiners in rebated side walls of Channels.

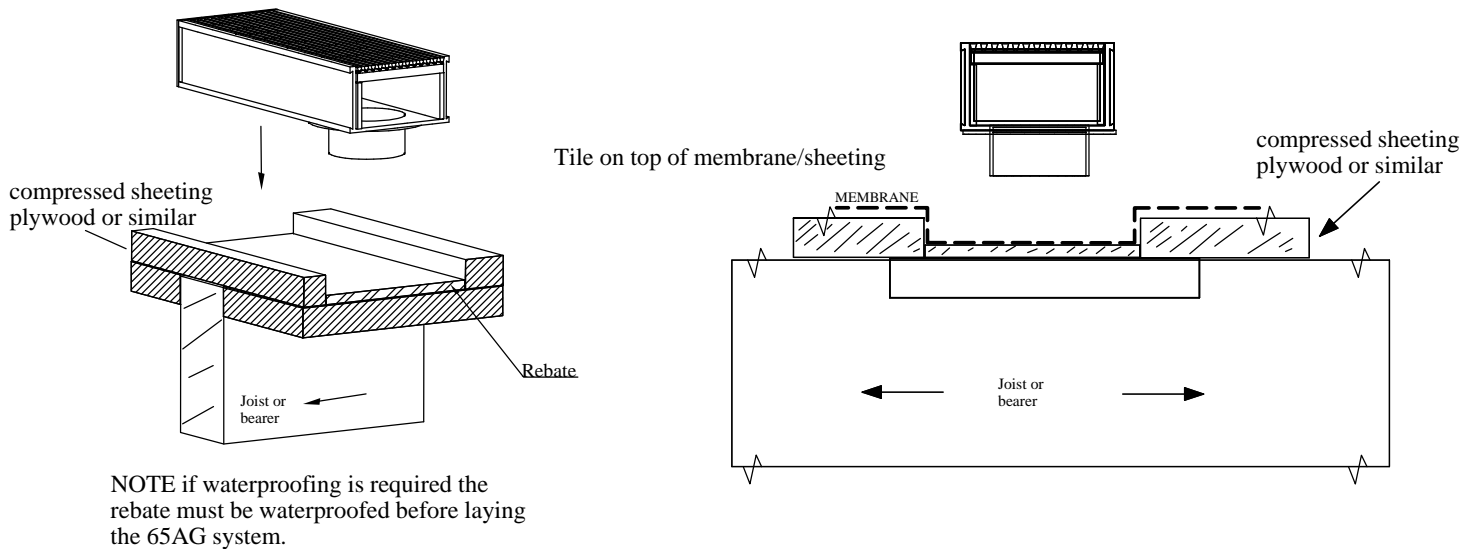


65AG TIMBER FLOOR/DECK Standard installation

When 65AG is running parrallel to joist/bearer



When 65AG is running perpendicular to joist/bearer

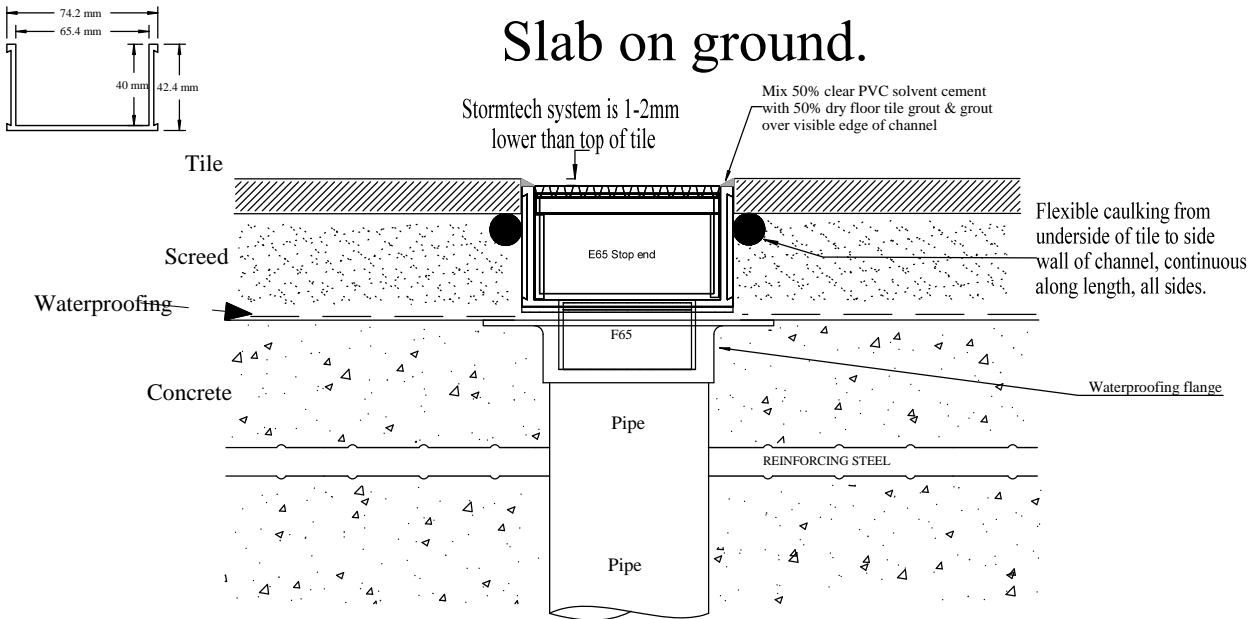


An F65 spigot fits in a 50 DWV pipe and should drain 1.0 L/s..... We recommend these Spigots every 2m.. not more than 1.0m from end.
The loose fitting Spigots provide an outlet for moisture in the waterproof rebate and allows the Channel to be removed for safe keeping until tiling.

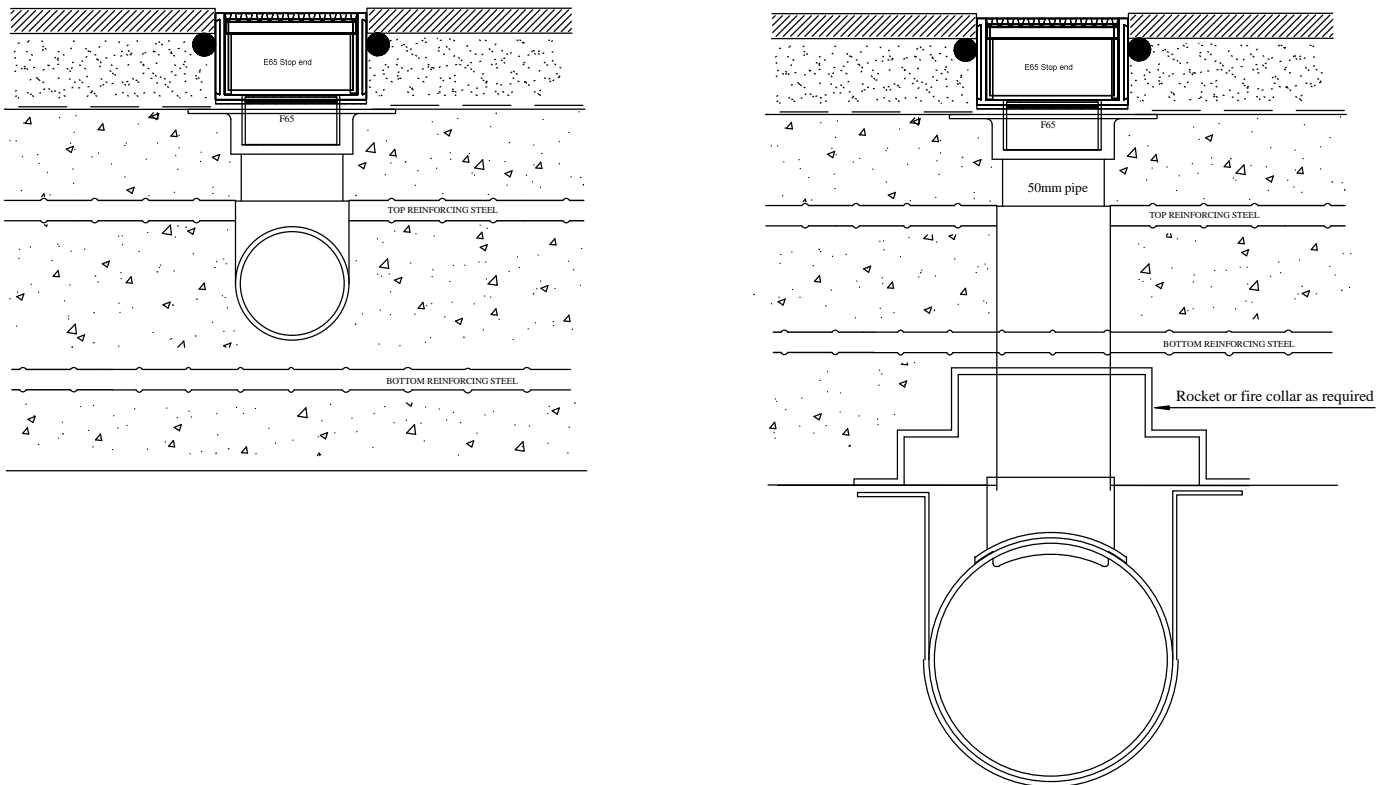
65AG CONCRETE FLOOR/DECK

Standard installation

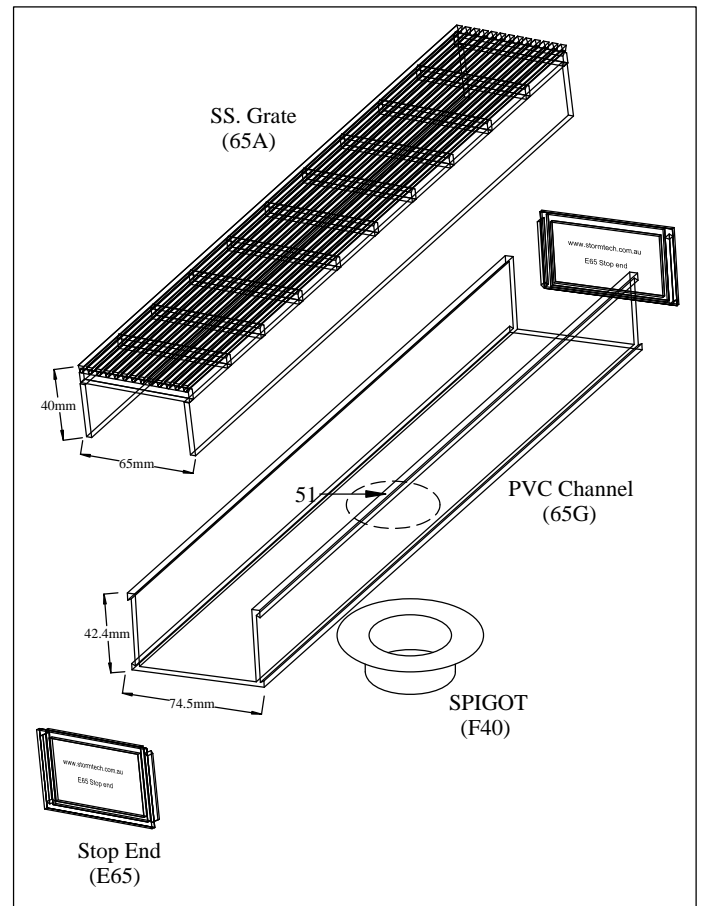
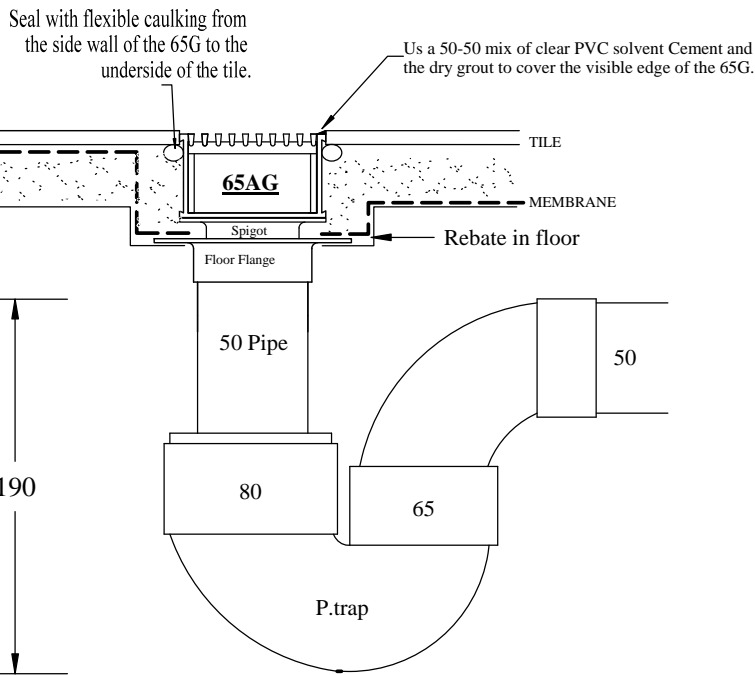
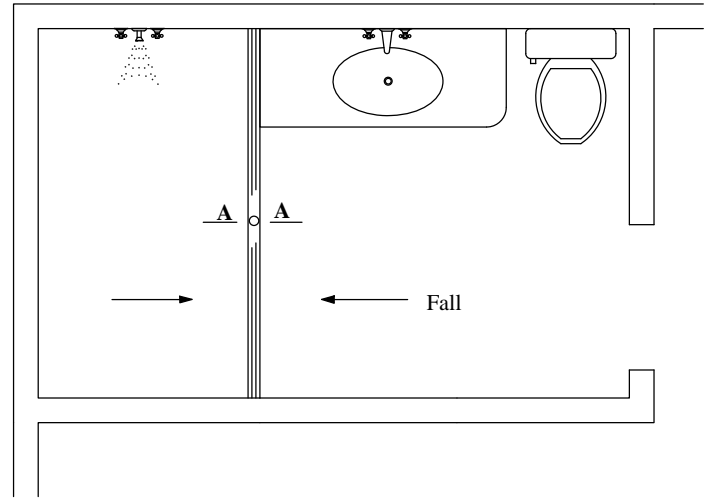
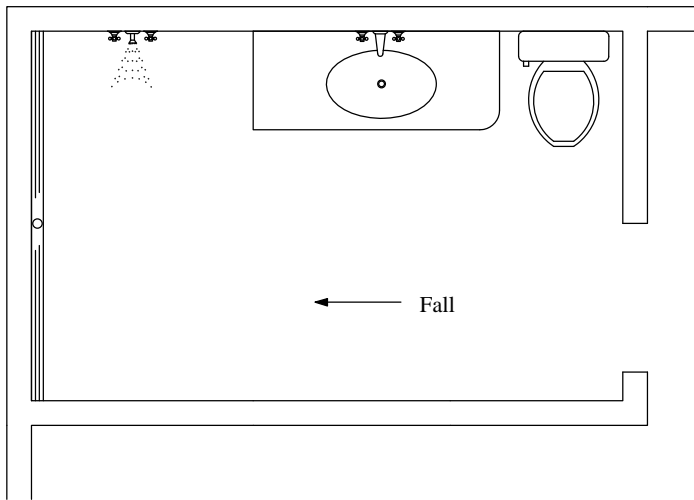
Slab on ground.



Suspended Slab



An F65 spigot fits in a 50 DWV pipe and should drain 1.0 L/s..... We recommend these Spigots every 2m.. not more than 1.0m from end.
 The loose fitting Spigots provide an outlet for moisture in the waterproof rebate and allows the Channel to be removed for safe keeping until tiling.



This design conforms with Plumbing Code AS3500

The loose fitting Spigot provides an outlet for moisture in the waterproof rebate and allows the Channel to be removed for safe keeping until tiling.

The F40 Spigot fits in a 50DWV pipe and should drain 1 L/s

One bathroom tap delivers 0.3 litres/sec maximum.



Drill 51mm hole and glue Spigot to bottom of Channel with clear PVC solvent cement.

Install the P-trap & fittings as per the Plumbing Code of Australia AS3500.

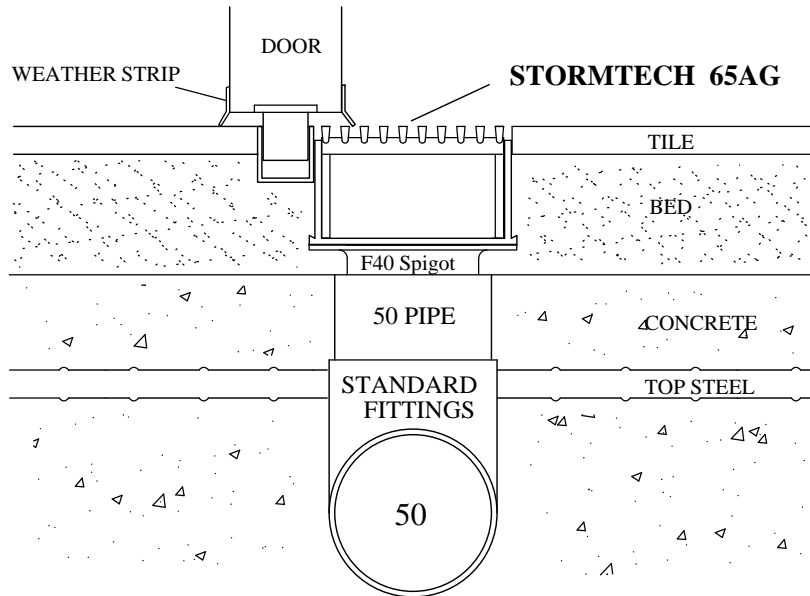
Patent 733361.

STORMTECH Pty Ltd

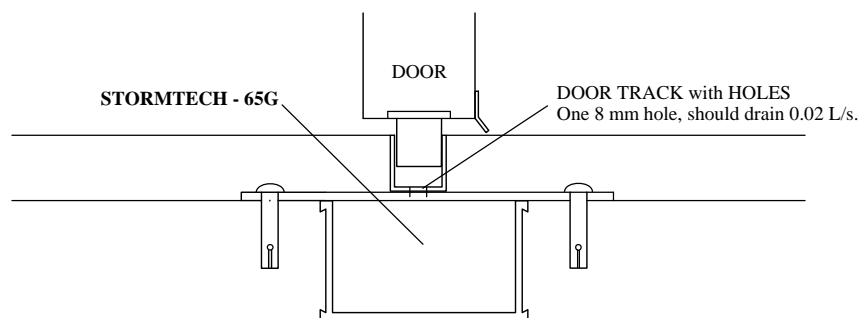
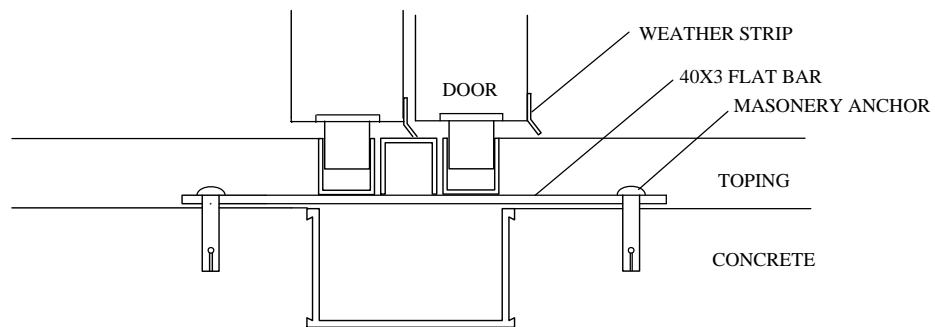
Architectural grates & drains

www.stormtech.com.au

THRESHOLD



Provide access to drain pipes for cleaning.

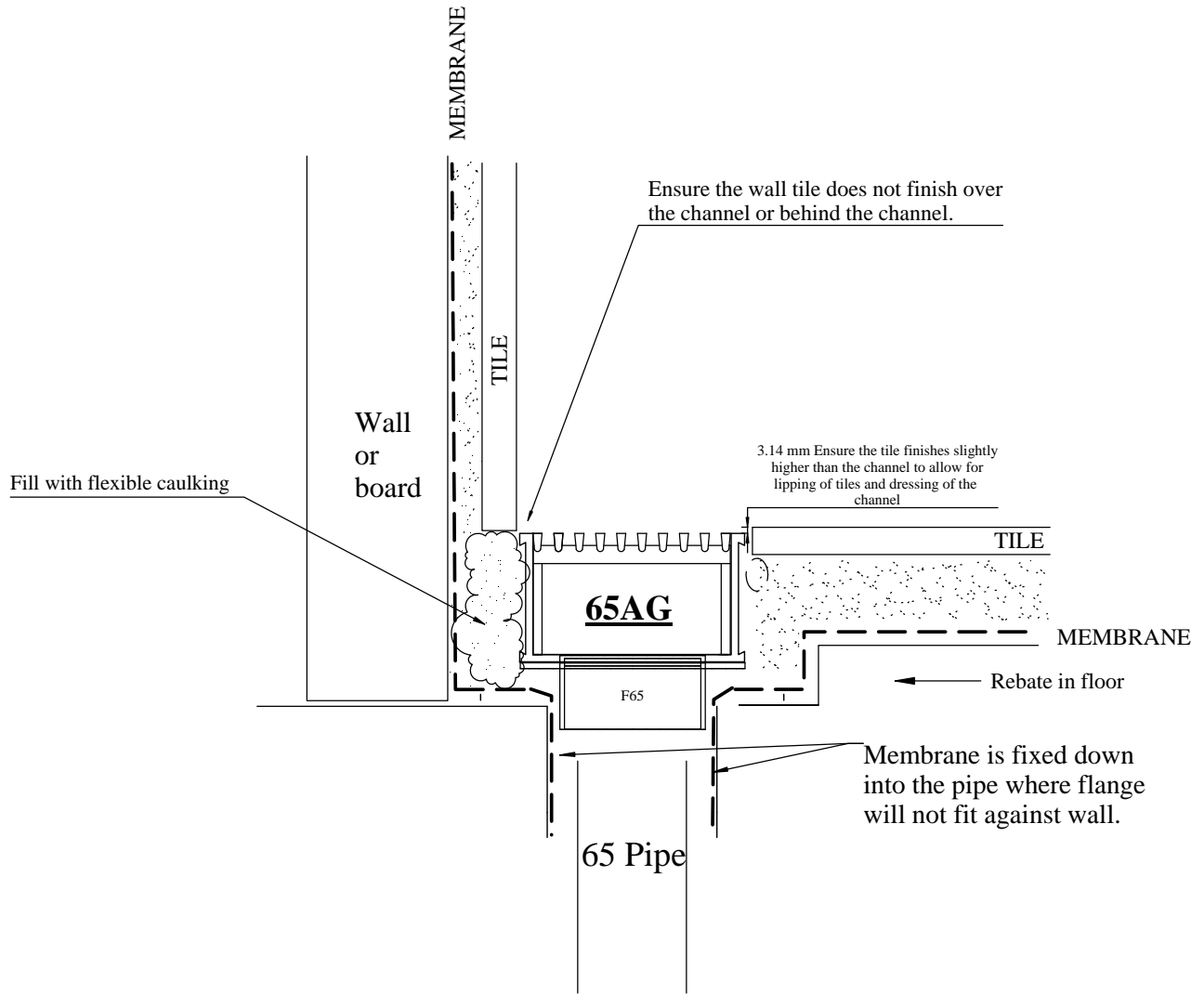


Suggested designs only.
Stormtech only supply the PVC drains.

(Patent 733361)

NOTE, all information remains the intellectual property of Stormtech Pty Ltd. This information is for reference only, no liability is accepted for any use of this information.

65AG Against Wall



STORMTECH Pty Ltd

Architectural Grates and Drains

Product Care.

Stormtech use high quality stainless steel in the fabrication of our grates.

Care of the product is easy, simply remove the grates periodically, ie every three to six months and remove collected debris, and clear out the channel.

If in a severe environment the grate shows signs of staining most stainless steel cleaner/protector products will remove it.

Stainless steel is tough, but not magic. Without regular maintenance it will not stay in prime condition.

47 Tallais Close
Worrige NSW 2540
Ph. 02 4423 1989
Fax. 02 4423 5552
e-mail: info@stormtech.com.au
www.stormtech.com.au

65AS Product Information

<http://www.stormtech.com.au/65as.html>

65AS

65mm Architectural Stainless Steel grate with stainless steel channel

Product Description

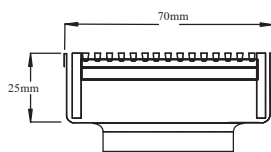
This innovative product removes water from the trench along its length using one or more outlets, improving efficiency of the drain, removing far larger quantities of water than would otherwise be possible.

When large format tiles are selected, Stormtech is an essential component, as it removes the need to crosscut the tiles.

When used in bathrooms, particularly shower areas the slope of the floor can be made into a uniform direction, without the multiple fall required when using central floor drains. This increases safety significantly by allowing the use of non-slip tiles, reducing the amount of water pooling on the floor surface and removing the need for steps, hobs and frames, thus reducing trip hazards.

The 304 stainless steel grate provides a prestige finish with design flexibility to allow it to be used in contemporary or classic styles.

Product Diagram



Product Applications

[Bathrooms](#)

[Suspended Slabs and Balconies](#)

[Thresholds and Doortracks](#)

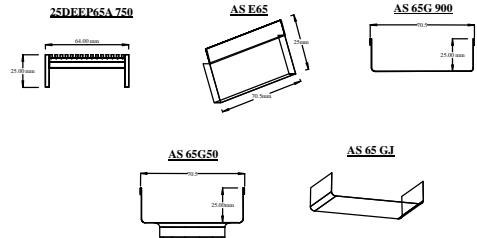
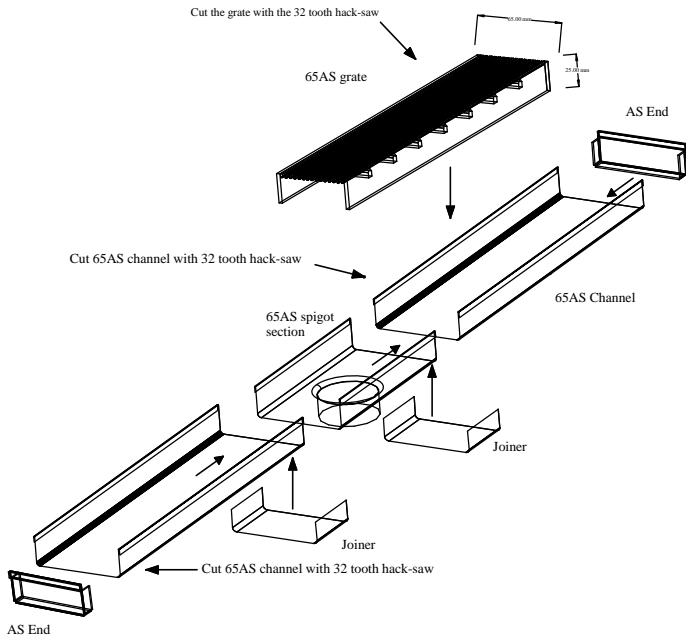
[Commercial Applications and Large Scale Projects](#)

[Special Needs Access](#)

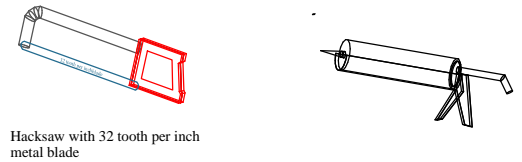
Pages:

1. assembly instruction
2. installation - timber substrate
4. installation - bathroom

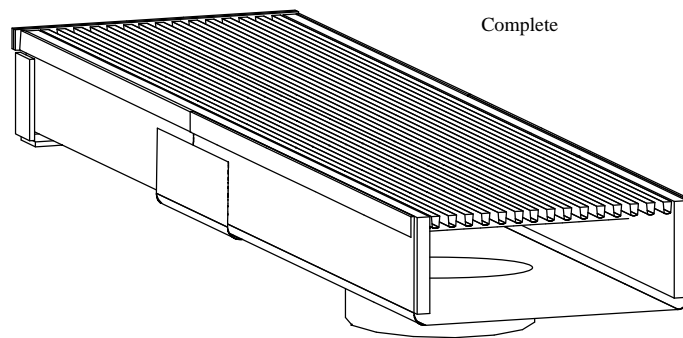
65AS components



Specific tools required



Use high quality silicone for fixing on ends, and joining sections. Ensure no gaps



STEP 1, lay out the components in the intended area of installation.

STEP 2, Position the AS65G50 spigot section above the pipe/outlet in floor. Ensure spigot fits inside the pipe. If spigot does not fit inside pipe, make an extension using PVC or stainless steel pipe.

STEP 3, Using a 32 tooth hack-saw, cut the AS65G channel to the size required, less the length of the spigot section.

STEP 4, Check all measures & alignment.

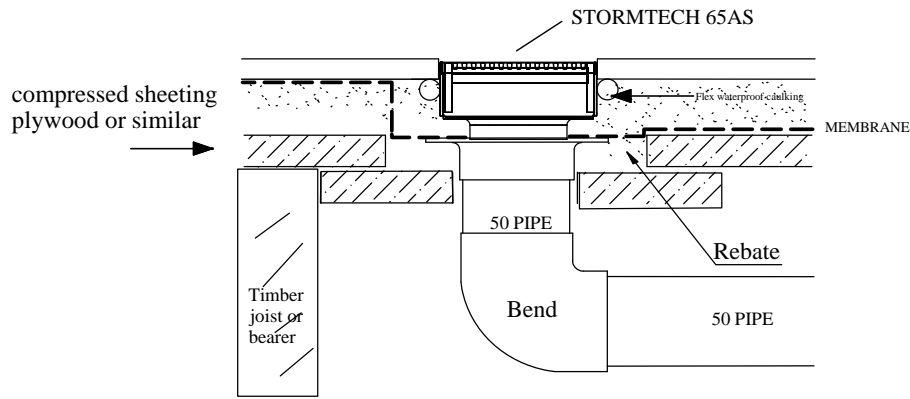
STEP 5, Using a high quality silicone, join the channel and spigot sections with the joiners. Ensure no gaps, & no lips inside the channel. Repeat to fix on the end caps.

STEP 6, Using a 32 tooth hack-saw blade, cut the grate to size. Ensure the grate is not too tight in the channel to allow for easy removal.

65AS TIMBER FLOOR/DECK

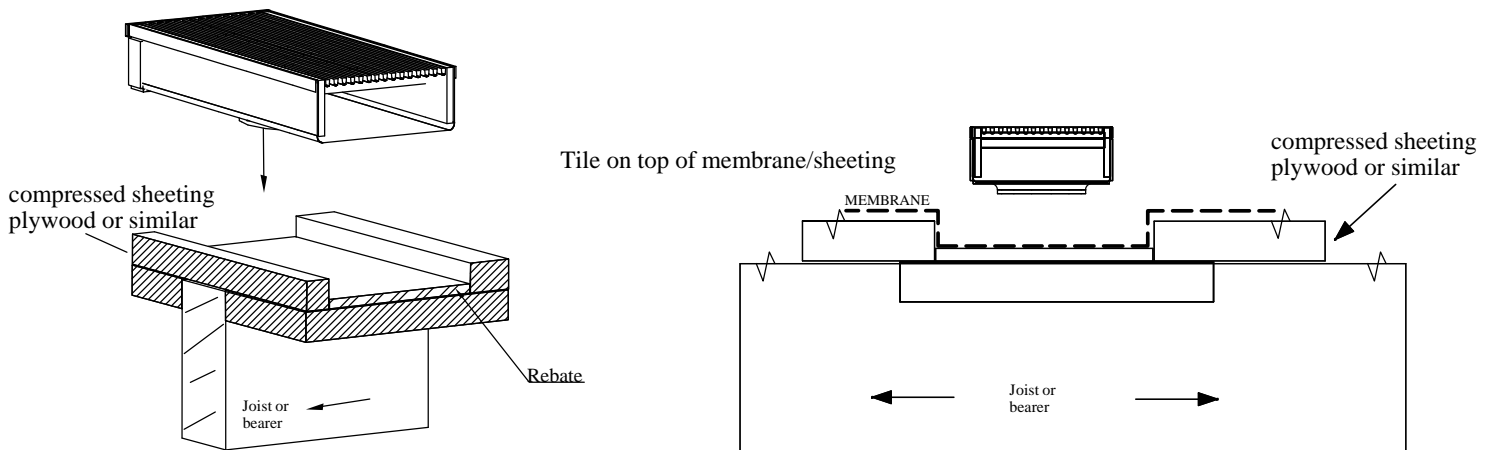
Standard installation

When 65AS is running parallel to joist/bearer



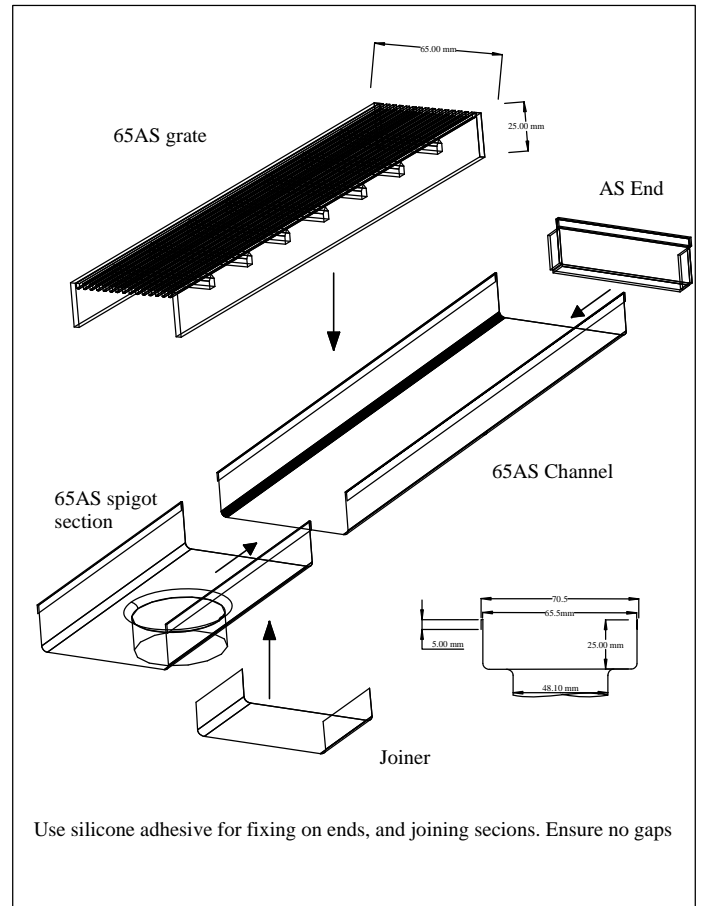
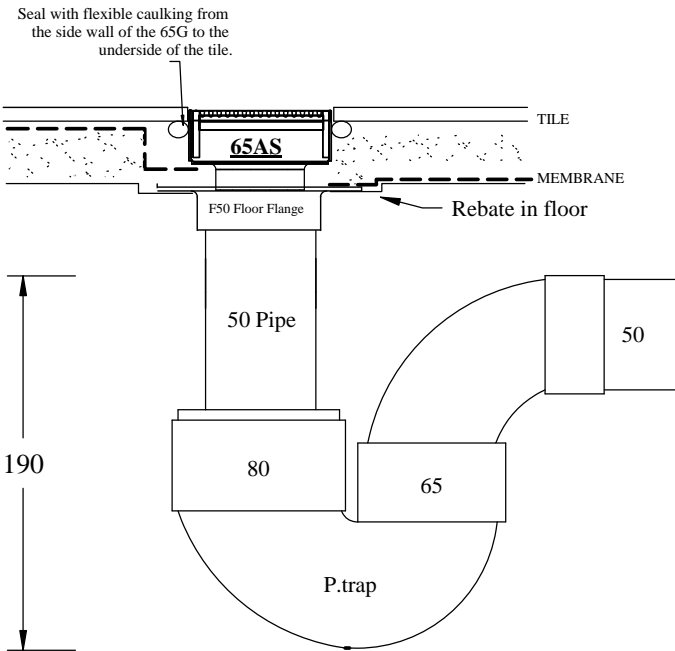
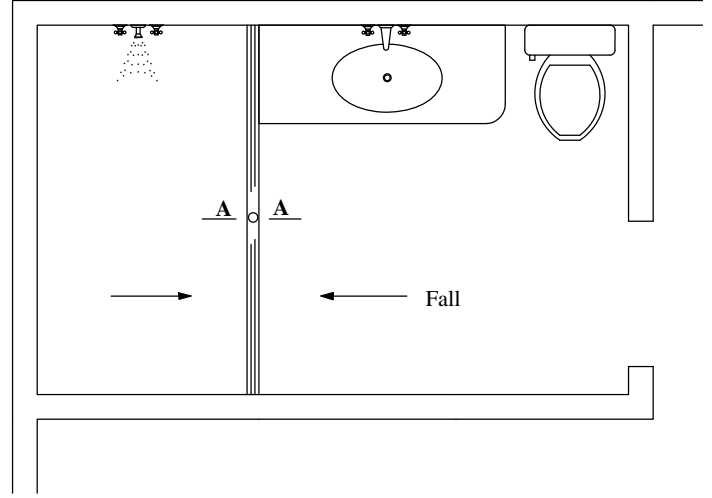
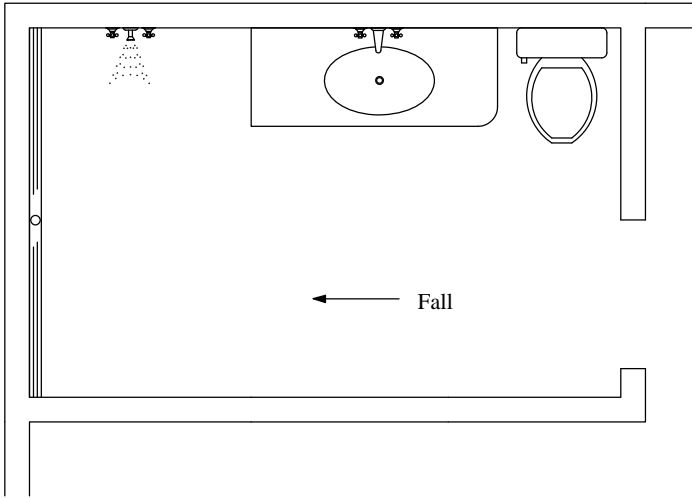
Provide access to drain pipes for cleaning

When 65AS is running perpendicular to joist/bearer



NOTE if waterproofing is required the rebate must be waterproofed before laying the 65AS system.

The 65AS spigot fits in a 50 DWV pipe and should drain 0.6 L/s..... We recommend these Spigots every 1m.. not more than 0.5m from end.
The loose fitting Spigots provide an outlet for moisture in the waterproof rebate and allows the Channel to be removed for safe keeping until tiling.



This design conforms with Plumbing Code AS3500

The loose fitting Spigot provides an outlet for moisture in the waterproof rebate and allows the Channel to be removed for safe keeping until tiling.

The 50mm Spigot fits in a 50DWV pipe and should drain 0.7 L/s

One bathroom tap delivers 0.3 litres/sec maximum.

Install the P.trap & fittings as per the Plumbing Code of Australia AS3500.

Patent 733361.

100AG

Product Information



100AG

100mm wide Architectural Stainless Steel grate with PVC channel

Product Description

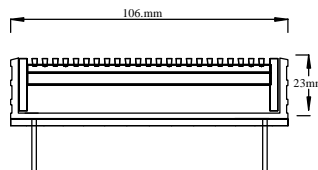
This innovative product removes water from the trench along its length using one or more outlets, improving efficiency of the drain, removing far larger quantities of water than would otherwise be possible.

When large format tiles are selected, Stormtech is an essential component, as it removes the need to crosscut the tiles.

When used in bathrooms, particularly shower areas the slope of the floor can be made into a uniform direction, without the multiple fall required when using central floor drains. This increases safety significantly by allowing the use of non-slip tiles, reducing the amount of water pooling on the floor surface and removing the need for steps, hobs and frames, thus reducing trip hazards.

The 316 stainless steel grate provides a prestige finish with design flexibility to allow it to be used in contemporary or classic styles.

Product Diagram



Product Applications

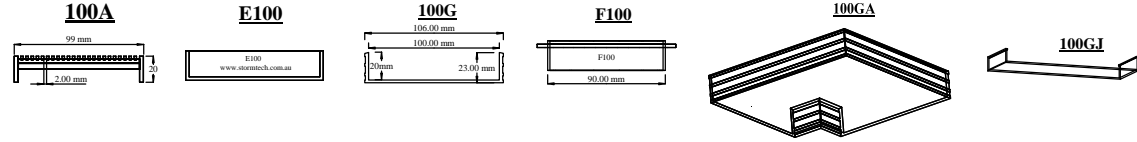
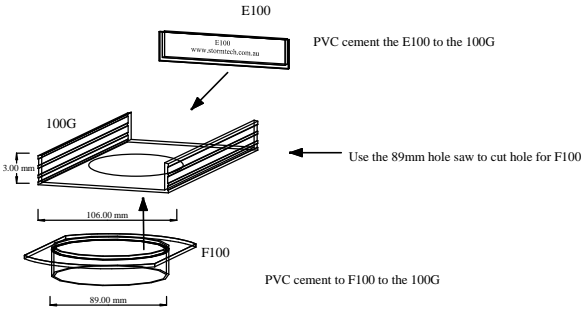
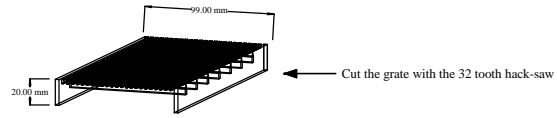
- Bathrooms
- Suspended Slabs and Balconies
- Thresholds and Doortracks
- Driveways
- Pools and Paved Areas
- Patios, Courtyards and Terraces
- Commercial Applications and Large Scale Projects
- Special Needs Access

Pages:

- 1, assembly instruction
- 2, installation - timber substrate
- 3, installation - concrete substrate
- 4, installation - bathroom
- 5, installation - threshold
- 6, installation - against wall

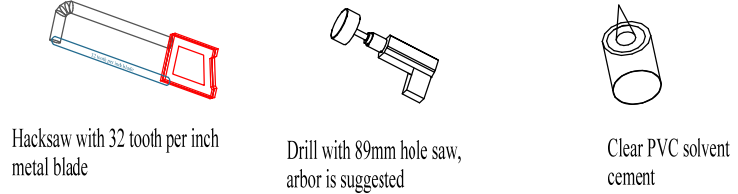
<http://www.stormtech.com.au/100ag.html>

100AG Assembly Instructions



100AG components

Specific tools required



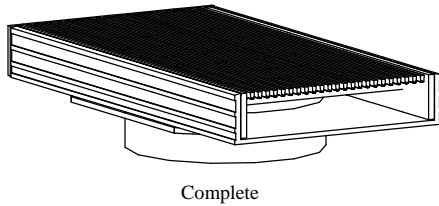
STEP 1 Cut the 100G channel to size. When measuring allow 5mm less for the E100 stop ends to fit, ie if 900mm is required, cut channel to 895mm.

STEP 2 Fit the E100 stop ends to the ends of the channel. Use the Clear PVC solvent cement to fix, ensure a tight fit with no gaps.

STEP 3 Cut outlet hole. Use an 89mm holesaw, with arbor to cut a hole in the base of the 100G channel. This hole should preferably be in the centre, however some offset is possible.

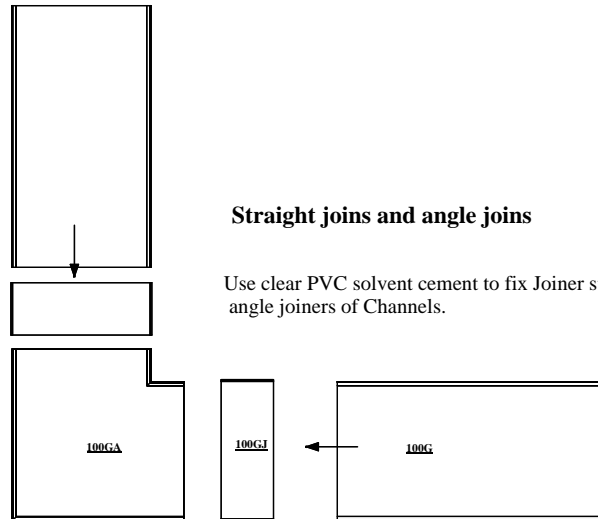
STEP 4 Fix the F100 to the underside of the 100G with Clear PVC solvent cement. Ensure clean fit into channel.

STEP 5 Cut the 100A grate to size. Use the 32 tooth hacksaw and cut by hand. Ensure cut is square. Gently file back rough edges for safety. NOTE, cut grate 2mm shorter than inside dimension of channel to ensure easy removal for cleaning.



Complete

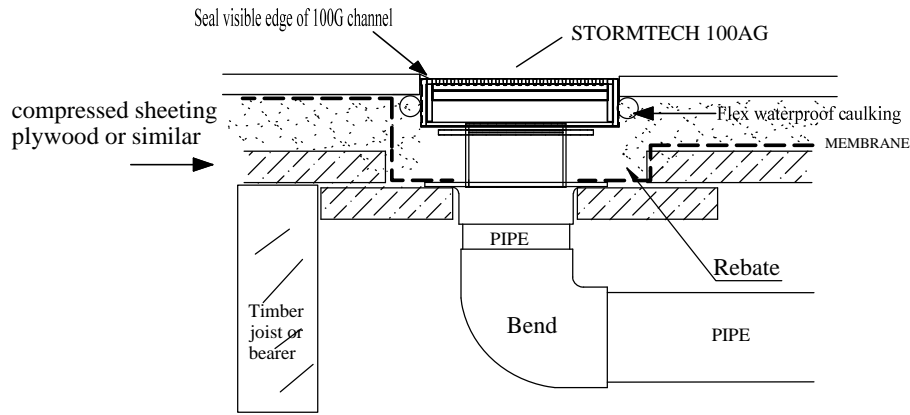
Straight joins and angle joins



Use clear PVC solvent cement to fix Joiner strips and angle joiners of Channels.

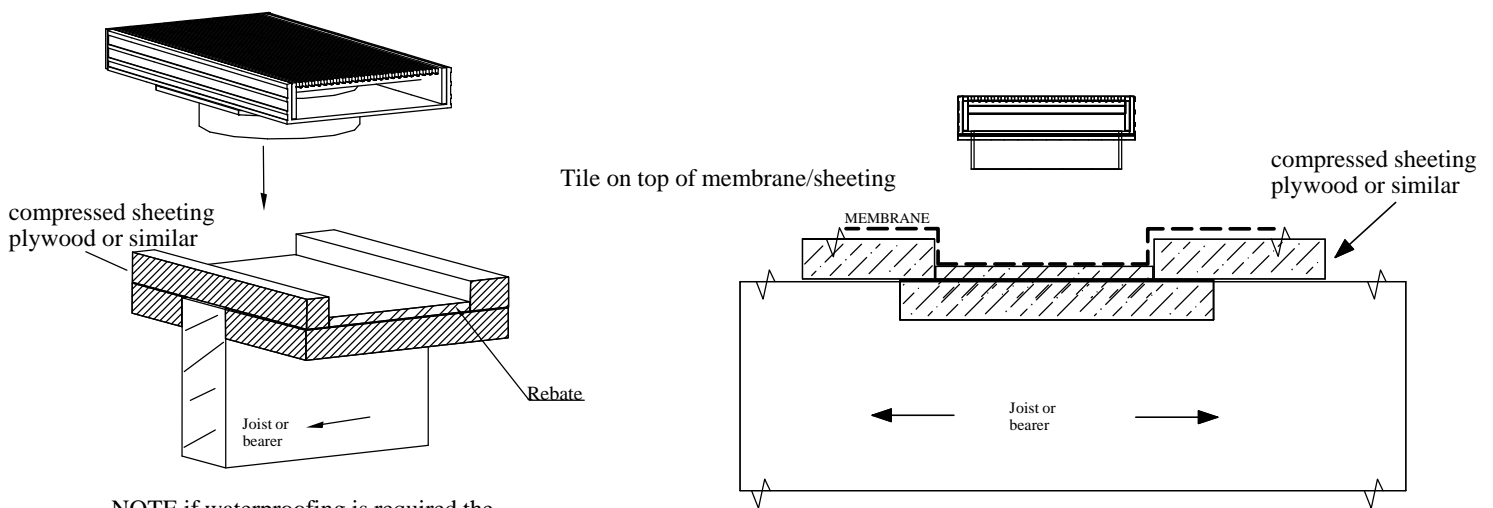
100AG TIMBER FLOOR/DECK Standard installation

When 100AG is running parrallel to joist/bearer



Provide access to drain pipes for cleaning

When 100AG is running perpendicular to joist/bearer

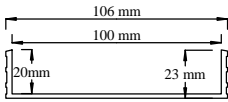


NOTE if waterproofing is required the rebate must be waterproofed before laying the 100AG system.

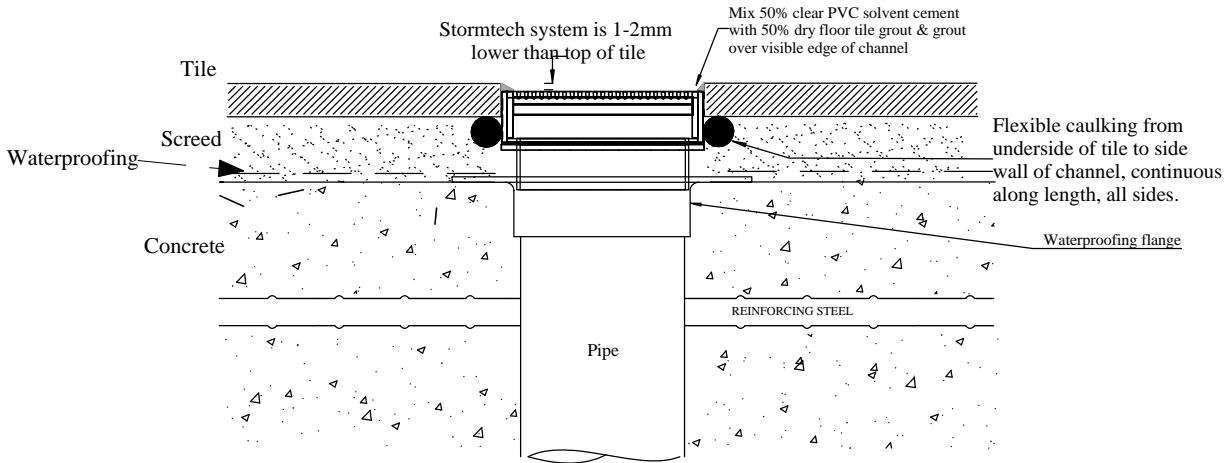
An F100 spigot fits in a 100 DWV pipe and should drain 1.0 L/s..... We recommend these Spigots every 2m.. not more than 1.0m from end.
The loose fitting Spigots provide an outlet for moisture in the waterproof rebate and allows the Channel to be removed for safe keeping until tiling.

100AG CONCRETE FLOOR/DECK

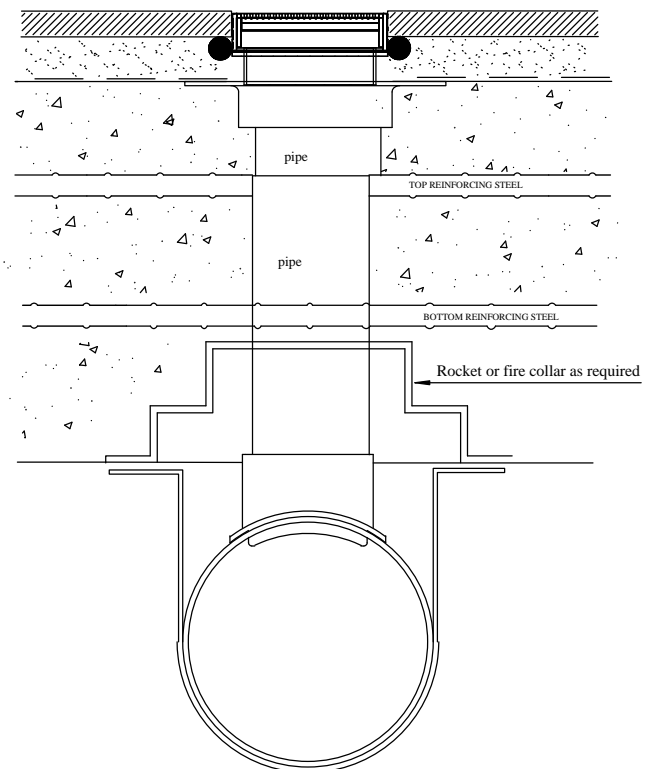
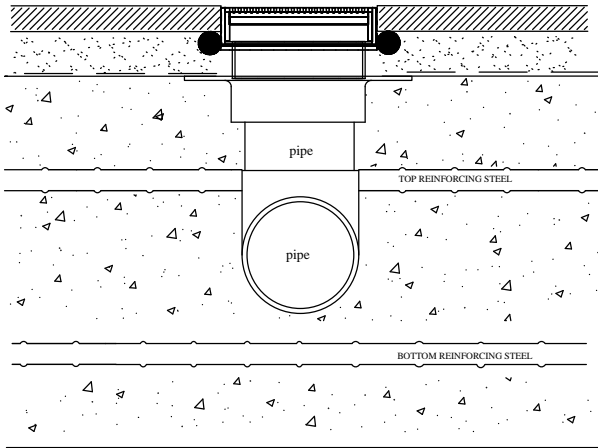
Standard installation



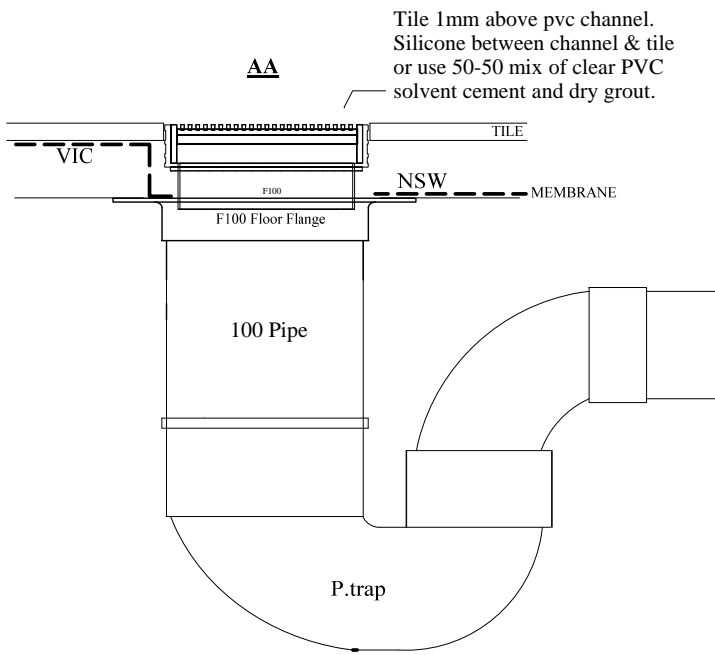
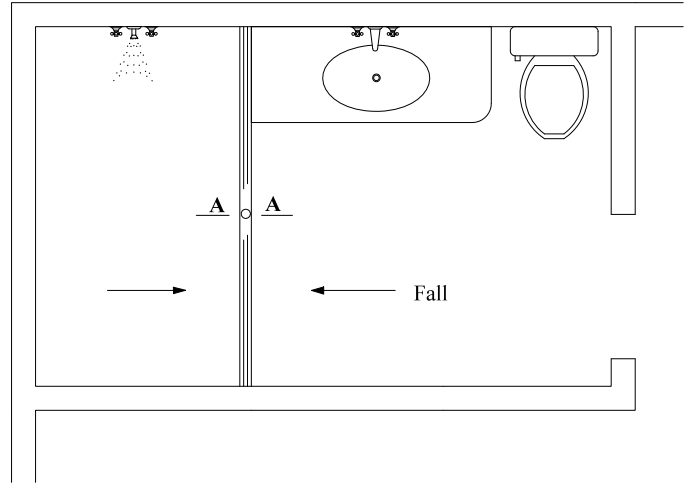
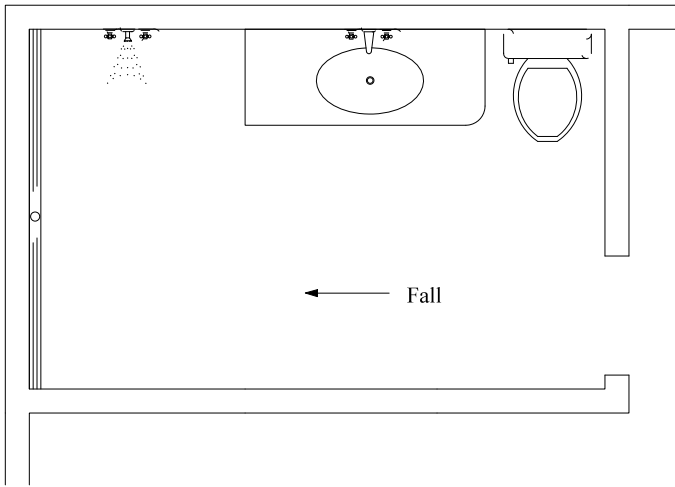
Slab on ground.



Suspended Slab



An F100 spigot fits in a 100 DWV pipe and should drain 1.0 L/s..... We recommend these Spigots every 2m.. not more than 1.0m from end.
The loose fitting Spigots provide an outlet for moisture in the waterproof rebate and allows the Channel to be removed for safe keeping until tiling.



This design conforms with Plumbing Code AS/NZS 3500. The loose fitting spigot provides an outlet for moisture in the waterproof rebate and allows the Channel to be removed for safe keeping until tiling.

The F100 spigot should drain over 1 litre per second. A bathroom tap delivers 0.3 l/s approx.

**STORMTECH
100AG**

20mm
100A
E100
www.stormtech.com.au
23mm
100G
106mm
E100
www.stormtech.com.au
F100

Drill 89mm hole and glue Spigot to bottom of Channel with clear PVC solvent cement.
Fix stop ends (E100's) with same glue.
When cutting grate, use a 32 tooth per inch hacksaw, & cut by hand. DO NOT use a grinder, cutoff saw etc.

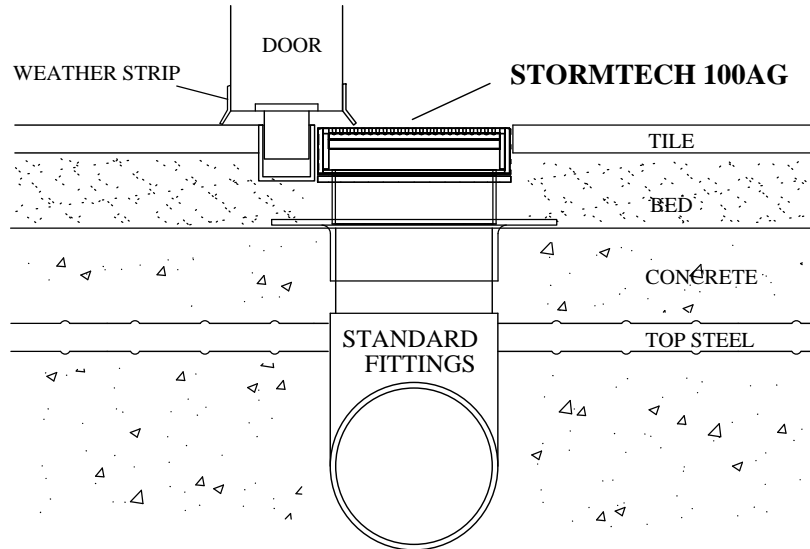
Install the P.trap & fittings as per the Plumbing Code of Australia AS3500.

STORMTECH Pty Ltd

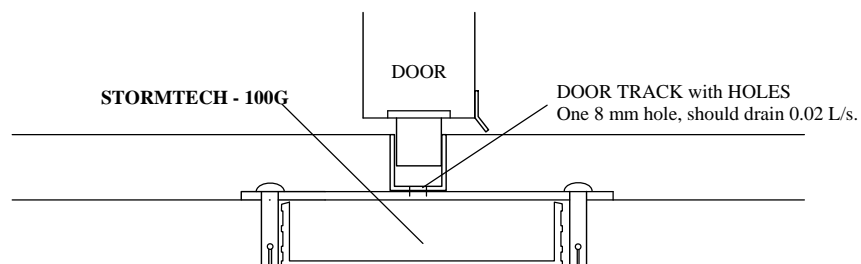
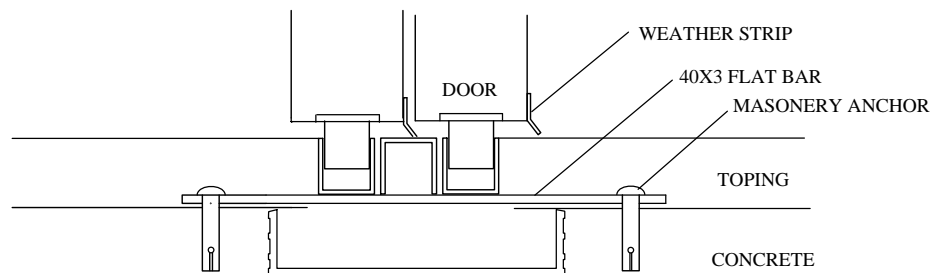
Architectural grates & drains

www.stormtech.com.au

THRESHOLD



Provide access to drain pipes for cleaning.

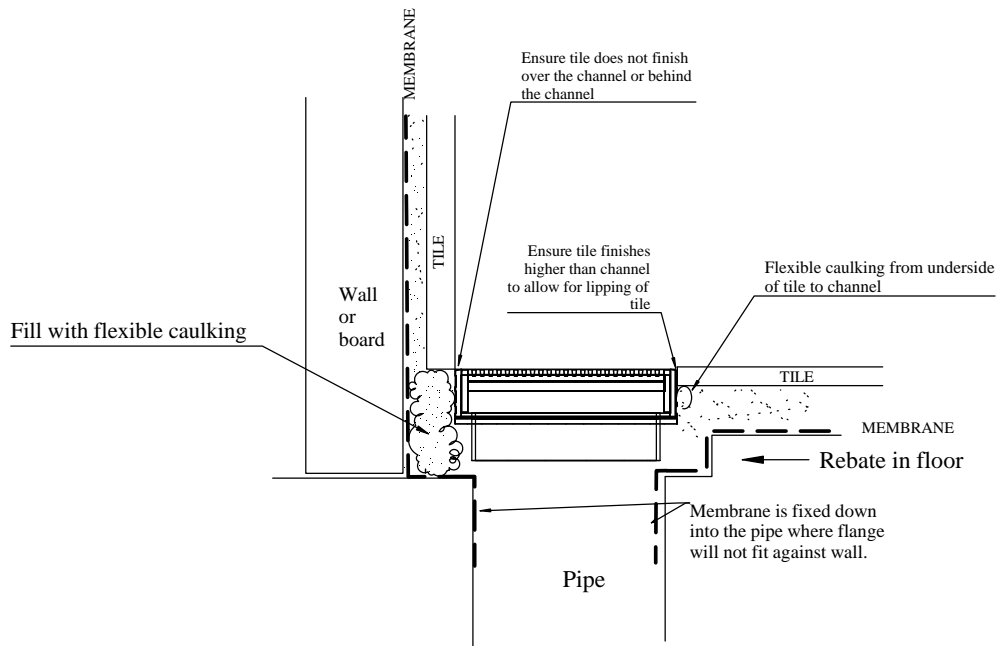


Suggested designs only.
Stormtech only supply the PVC drains.

(Patent 733361)

NOTE, all information remains the intellectual property of Stormtech Pty Ltd. This information is for reference only, no liability is accepted for any use of this information.

100AG Against Wall



38DG Product Information



38DG

38mm Wide Perforated Stainless Steel Grate with PVC Channel

Product Description

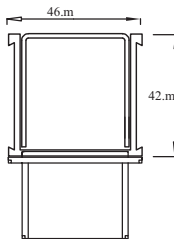
The perforated finish offers an affordable option to use the Slimline system.

This innovative product removes water from the trench along its length using one or more outlets, improving efficiency of the drain, removing far larger quantities of water than would otherwise be possible.

When large format tiles are selected, Stormtech is an essential component, as it removes the need to crosscut the tiles.

When used in bathrooms, particularly shower areas the slope of the floor can be made into a uniform direction, without the multiple fall required when using central floor drains. This increases safety significantly by allowing the use of non-slip tiles, reducing the amount of water pooling on the floor surface and removing the need for steps, hobs and frames, thus reducing trip hazards.

Product Diagram



Product Applications

[Bathrooms](#)

[Suspended Slabs and Balconies](#)

[Thresholds and Doortracks](#)

[Driveways](#)

[Pools and Paved Areas](#)

[Patios, Courtyards and Terraces](#)

[Commercial Applications and Large Scale Projects](#)

[Special Needs Access](#)

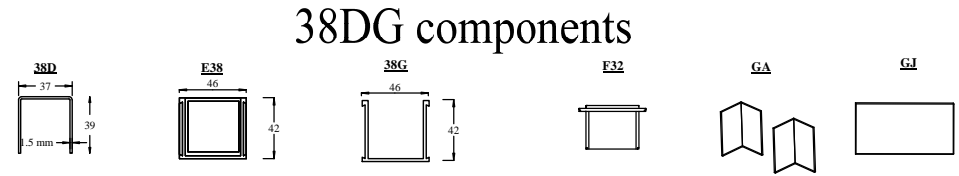
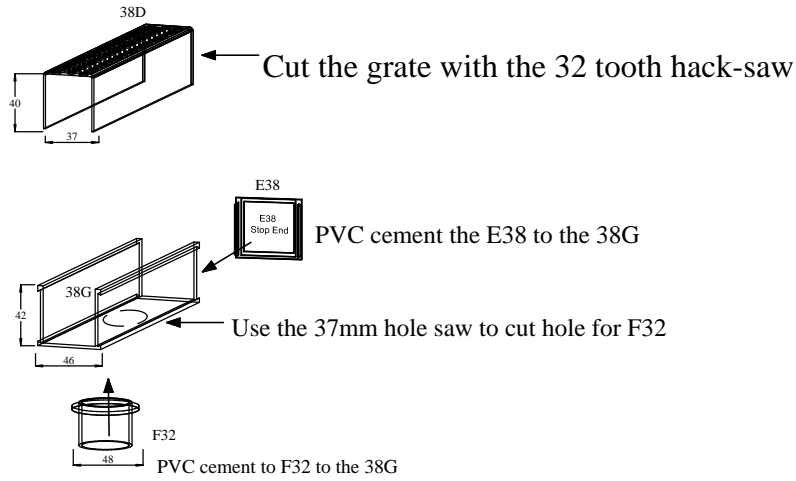
Pages:

1. assembly instruction
2. installation - timber substrate
3. installation - concrete substrate
4. installation - bathroom
5. installation - threshold
6. installation - against wall

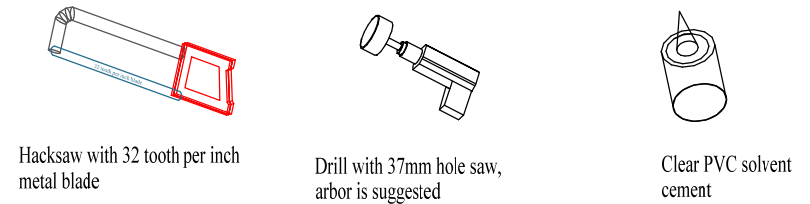
<http://www.stormtech.com.au/38ag.html>



38DG Assembly Instructions



Specific tools required



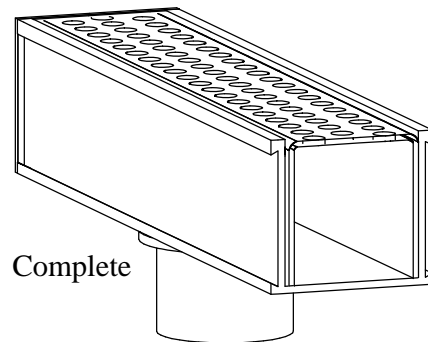
STEP 1 Cut the 38G channel to size. When measuring allow 5mm less for the E38 stop ends to fit, ie if 900mm is required, cut channel to 895mm.

STEP 2 Fit the E38 stop ends to the ends of the channel. Use the Clear PVC solvent cement to fix, ensure a tight fit with no gaps.

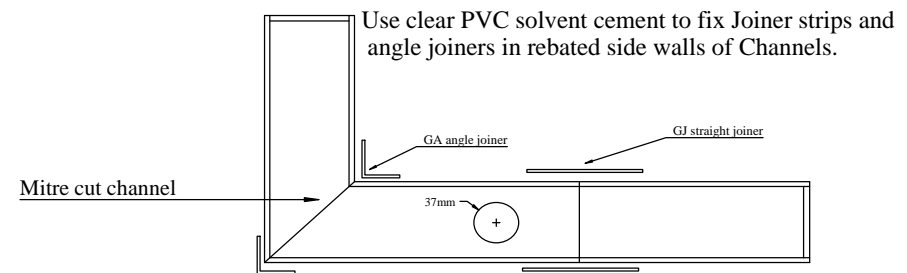
STEP 3 Cut outlet hole. Use a 37mm holesaw, with arbor to cut a hole in the base of the 38G channel. This hole should preferably be in the centre, however some offset is possible.

STEP 4 Fix the F32 to the underside of the 38G with Clear PVC solvent cement. Ensure clean fit into channel.

STEP 5 Cut the 38D grate to size. Use the 32 tooth hacksaw and cut by hand. Ensure cut is square. Gently file back rough edges for safety. **NOTE**, cut grate 2mm shorter than inside dimension of channel to ensure easy removal for cleaning.

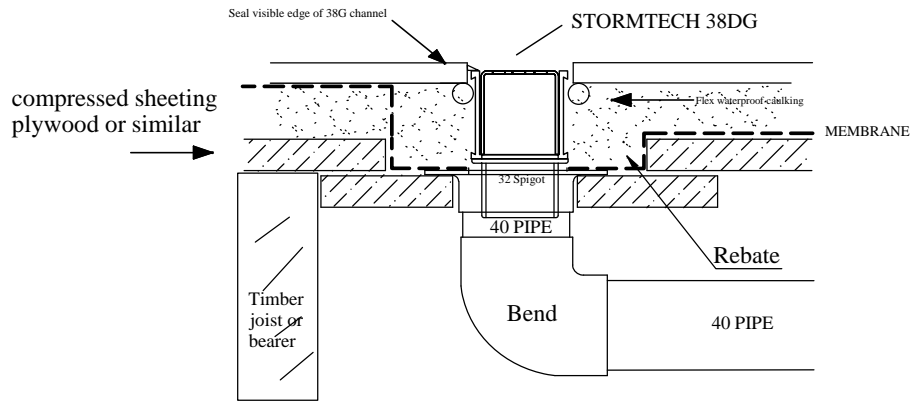


Straight joins and angle joins



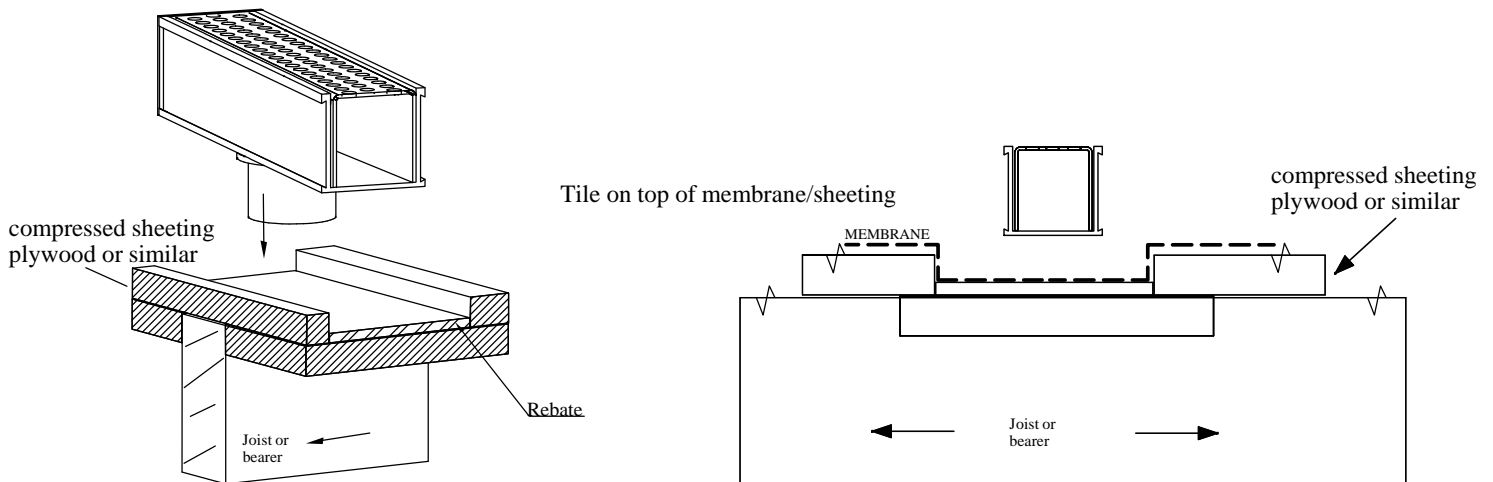
38DG TIMBER FLOOR/DECK Standard installation

When 38DG is running parrallel to joist/bearer



Provide access to drain pipes for cleaning

When 38DG is running perpendicular to joist/bearer

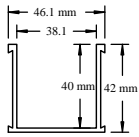


NOTE if waterproofing is required the rebate must be waterproofed before laying the 38DG system.

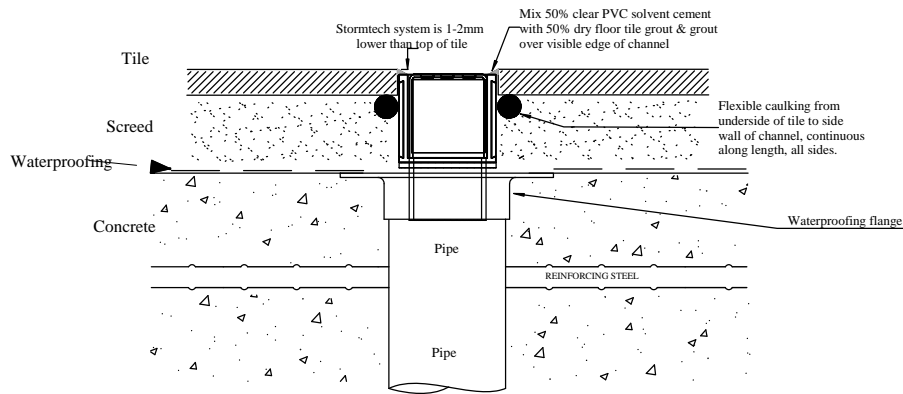
A 40 Flange fits in a 50 DWV pipe and should drain 1.0 L/s..... We recommend these Spigots every 2m.. not more than 1.0m from end.
The loose fitting Spigots provide an outlet for moisture in the waterproof rebate and allows the Channel to be removed for safe keeping until tiling.

38DG CONCRETE FLOOR/DECK

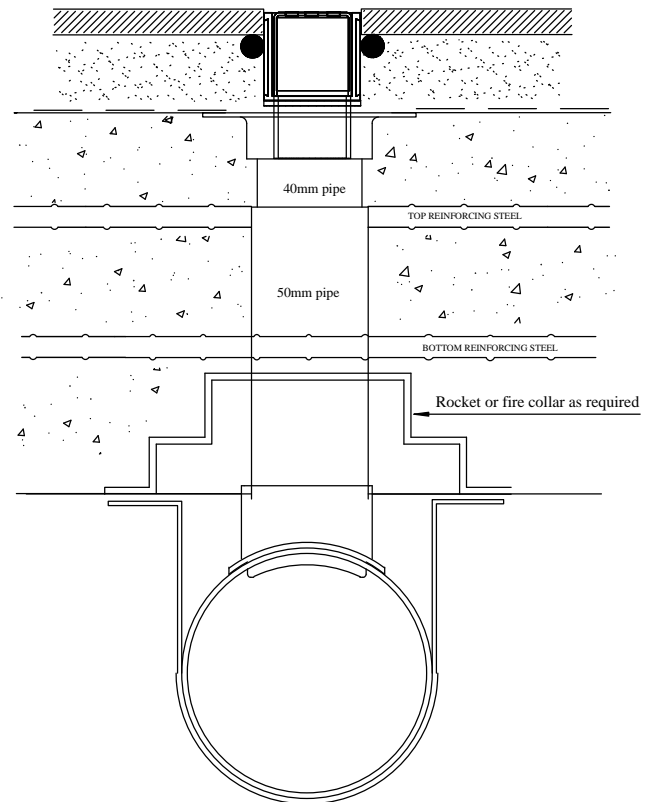
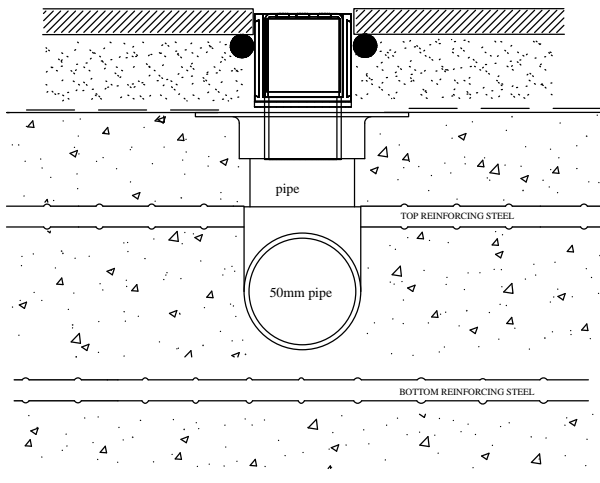
Standard installation



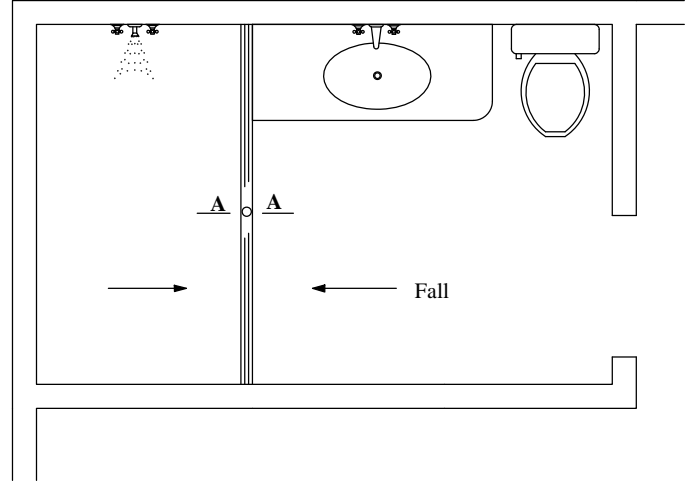
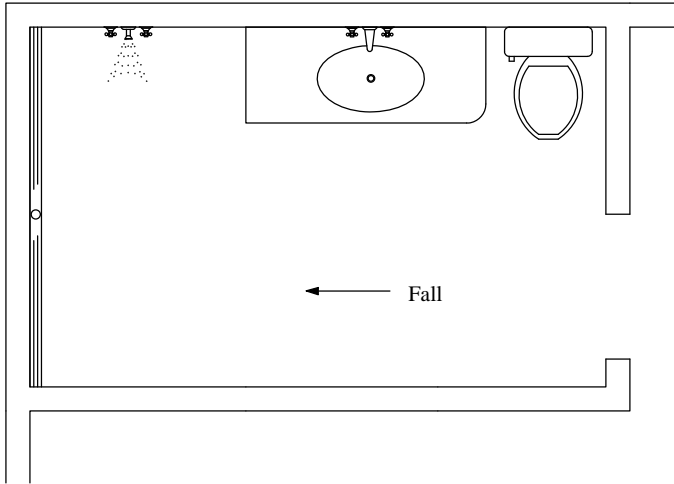
Slab on ground.



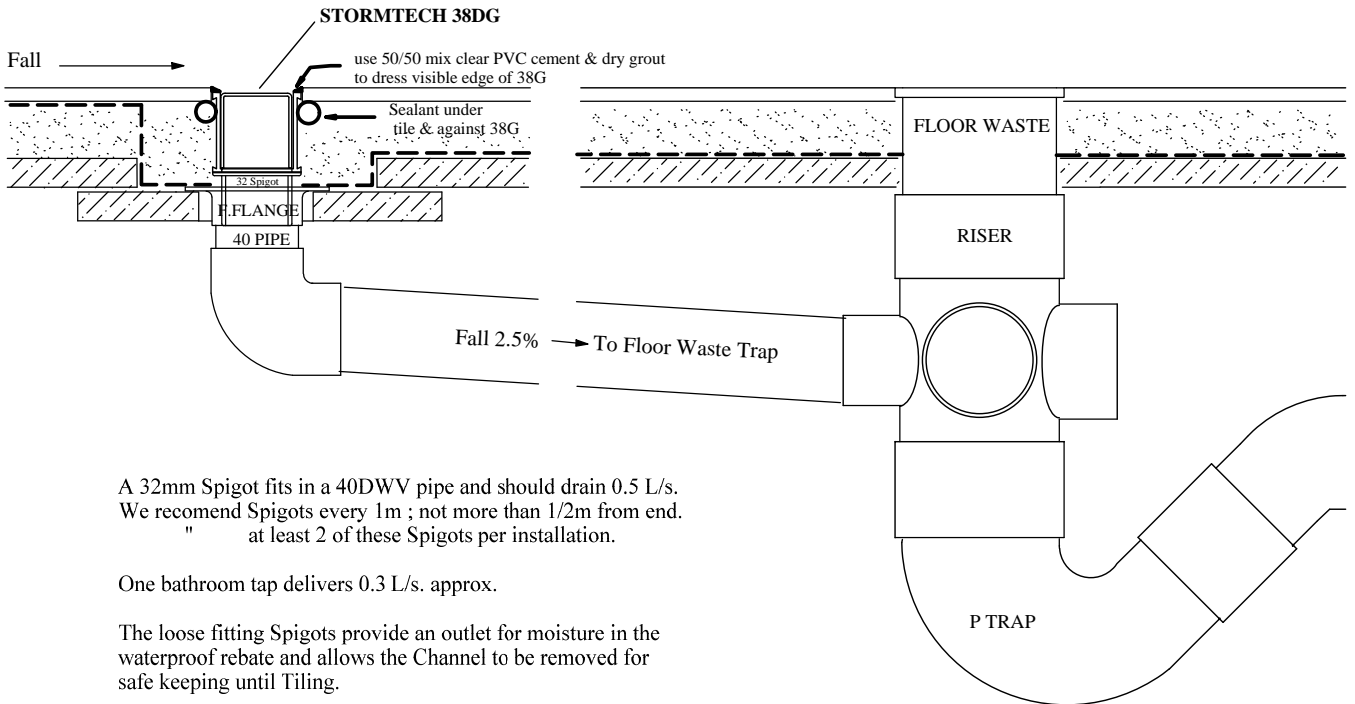
Suspended Slab



An F32 spigot fits in a 40 DWV pipe and should drain 0.5 L/s..... We recommend these Spigots every 1m, not more than 0.5m from end.
The loose fitting Spigots provide an outlet for moisture in the waterproof rebate and allows the Channel to be removed for safe keeping until tiling.



This design conforms with Plumbing Code AS3500 that requires discharge pipes be connected to a floor waste trap with removable grate.



A 32mm Spigot fits in a 40DWV pipe and should drain 0.5 L/s.
We recommend Spigots every 1m ; not more than 1/2m from end.
" at least 2 of these Spigots per installation.

One bathroom tap delivers 0.3 L/s. approx.

The loose fitting Spigots provide an outlet for moisture in the waterproof rebate and allows the Channel to be removed for safe keeping until Tiling.

Installations in suspended floors, should be in a waterproof rebate.



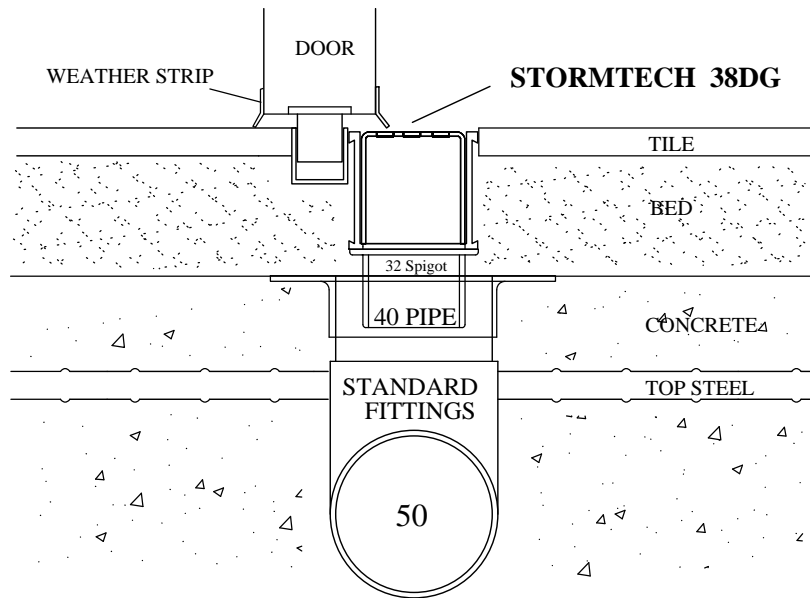
(Patent 733361)

STORMTECH Pty Ltd

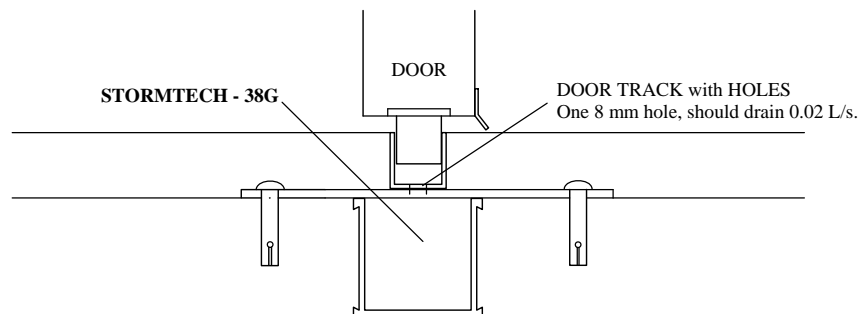
Architectural grates & drains

www.stormtech.com.au

38DG THRESHOLD



Provide access to drain pipes for cleaning.

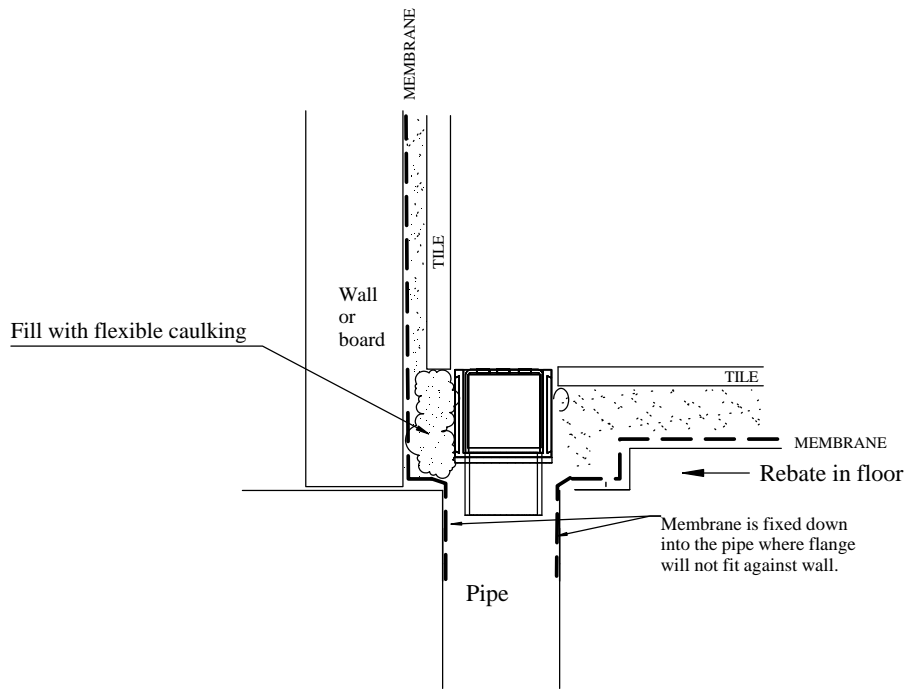


Suggested designs only.
Stormtech only supply the PVC drains.

(Patent 733361)

NOTE, all information remains the intellectual property of Stormtech Pty Ltd. This information is for reference only, no liability is accepted for any use of this information.

38DG Against Wall



STORMTECH Pty Ltd

Architectural Grates and Drains

Product Care.

Stormtech use high quality stainless steel in the fabrication of our grates.

Care of the product is easy, simply remove the grates periodically, ie every three to six months and remove collected debris, and clear out the channel.

If in a severe environment the grate shows signs of staining most stainless steel cleaner/protector products will remove it.

Stainless steel is tough, but not magic. Without regular maintenance it will not stay in prime condition.

47 Tallais Close
Worrigeo NSW 2540
Ph. 02 4423 1989
Fax. 02 4423 5552
e-mail: info@stormtech.com.au
www.stormtech.com.au

65DG Product Information

<http://www.stormtech.com.au/38ag.html>



65DG

65mm Perforated Stainless Steel Grate with PVC Channel

Product Description

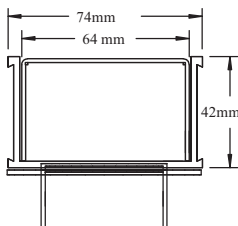
The perforated finish offers an affordable option to use the Slimline system.

This innovative product removes water from the trench along its length using one or more outlets, improving efficiency of the drain, removing far larger quantities of water than would otherwise be possible.

When large format tiles are selected, Stormtech is an essential component, as it removes the need to crosscut the tiles.

When used in bathrooms, particularly shower areas the slope of the floor can be made into a uniform direction, without the multiple fall required when using central floor drains. This increases safety significantly by allowing the use of non-slip tiles, reducing the amount of water pooling on the floor surface and removing the need for steps, hobs and frames, thus reducing trip hazards.

Product Diagram



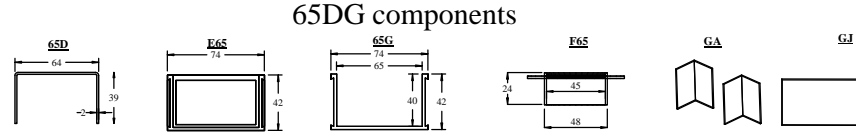
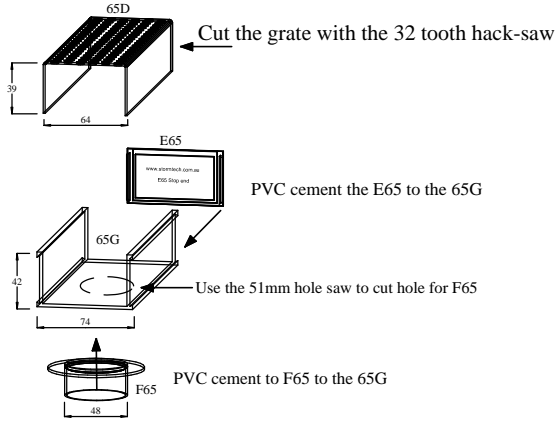
Product Applications

- Bathrooms
- Suspended Slabs and Balconies
- Thresholds and Doortracks
- Driveways
- Pools and Paved Areas
- Patios, Courtyards and Terraces
- Commercial Applications and Large Scale Projects
- Special Needs Access

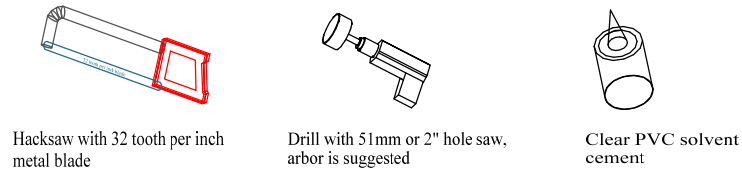
Pages:

1. assembly instruction
2. installation - timber substrate
3. installation - concrete substrate
4. installation - bathroom
5. installation - threshold
6. installation - against wall

65DG Assembly Instructions



Specific tools required



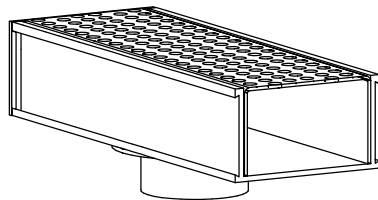
STEP 1 Cut the 65G channel to size. When measuring allow 5mm less for the E65 stop ends to fit, ie if 900mm is required, cut channel to 895mm.

STEP 2 Fit the E65 stop ends to the ends of the channel. Use the Clear PVC solvent cement to fix, ensure a tight fit with no gaps.

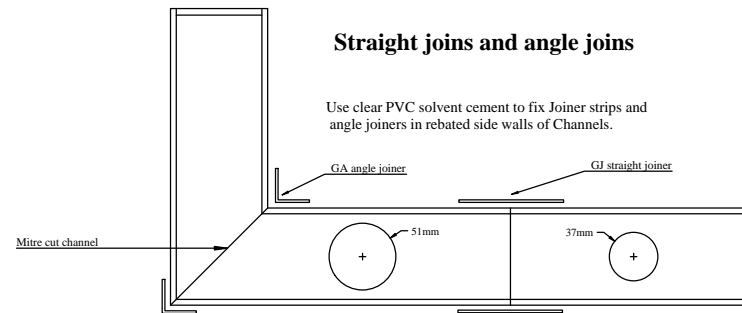
STEP 3 Cut outlet hole. Use a 51mm holesaw, with arbor to cut a hole in the base of the 65G channel. This hole should preferably be in the centre, however some offset is possible.

STEP 4 Fix the F65 to the underside of the 65G with Clear PVC solvent cement. Ensure clean fit into channel.

STEP 5 Cut the 65D grate to size. Use the 32 tooth hacksaw and cut by hand. Ensure cut is square. Gently file back rough edges for safety. NOTE, cut grate 2mm shorter than inside dimension of channel to ensure easy removal for cleaning.



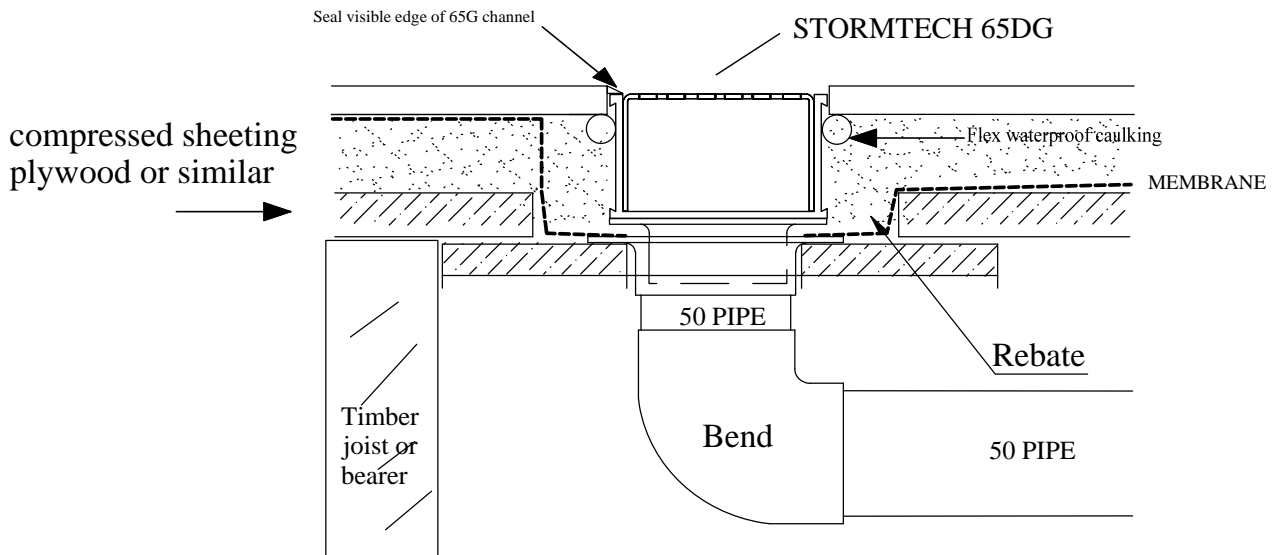
Complete



65DG TIMBER FLOOR/DECK

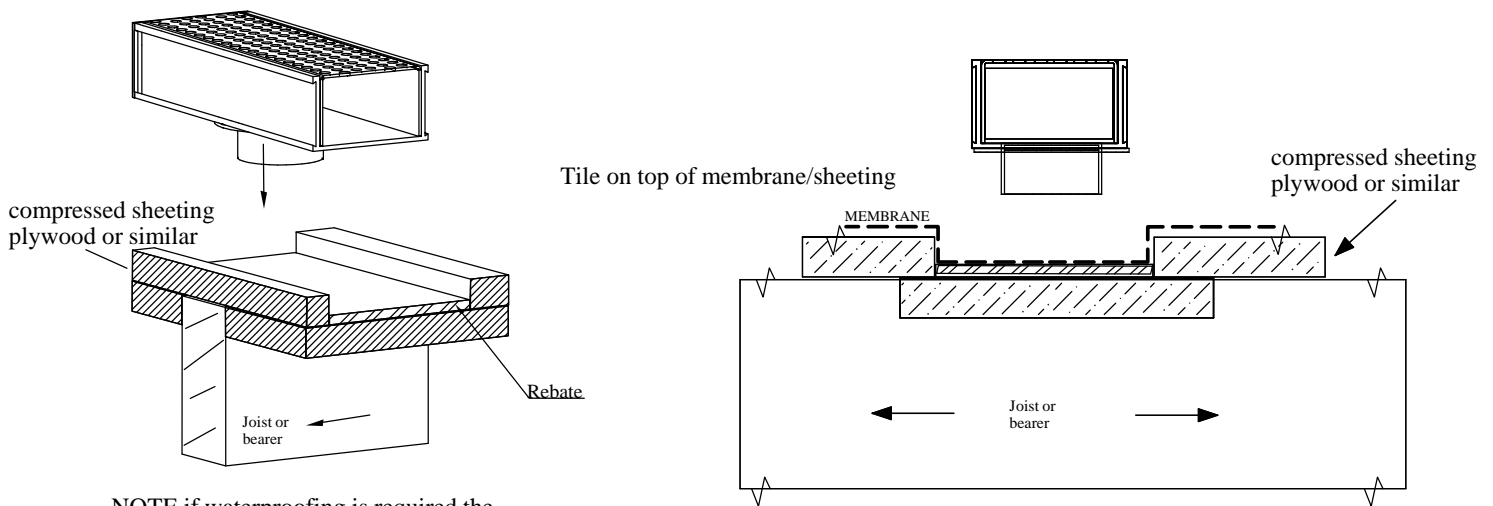
Standard installation

When 65DG is running parallel to joist/bearer



Provide access to drain pipes for cleaning

When 65DG is running perpendicular to joist/bearer



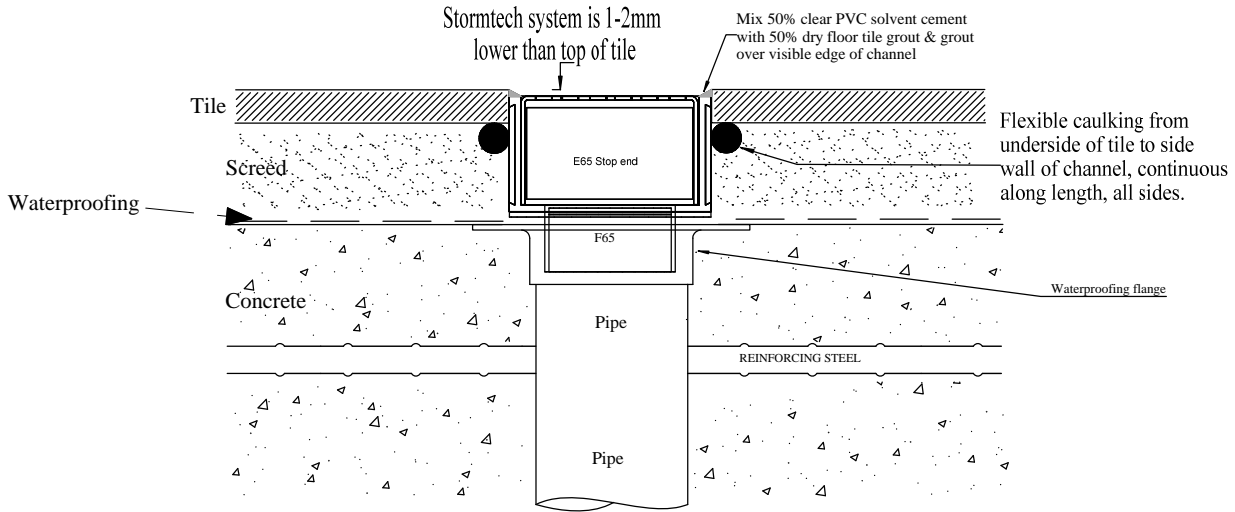
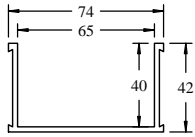
NOTE if waterproofing is required the rebate must be waterproofed before laying the 65DG system.

An F65 spigot fits in a 50 DWV pipe and should drain 1.0 L/s..... We recommend these Spigots every 2m.. not more than 1.0m from end.
The loose fitting Spigots provide an outlet for moisture in the waterproof rebate and allows the Channel to be removed for safe keeping until tiling.

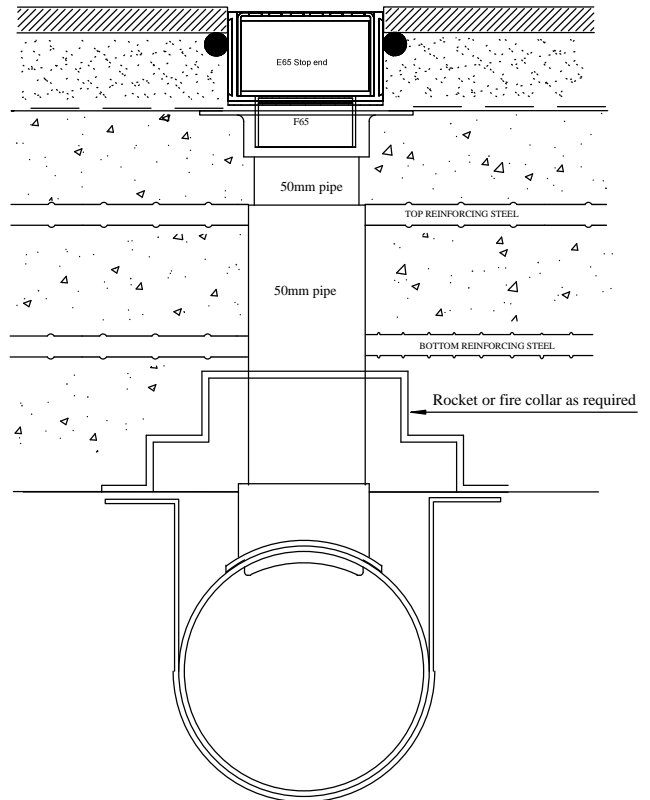
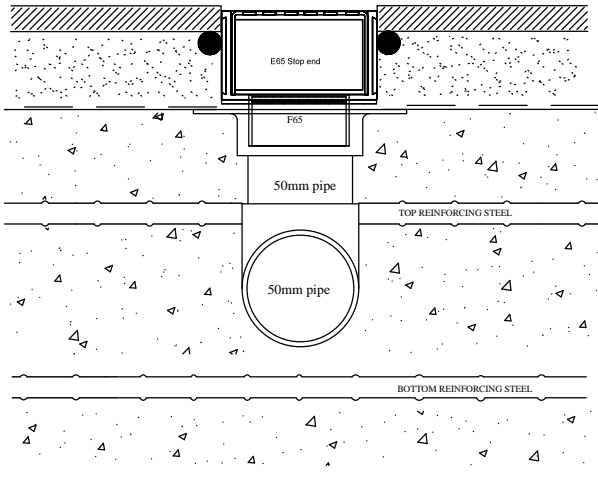
65DG CONCRETE FLOOR/DECK

Standard installation

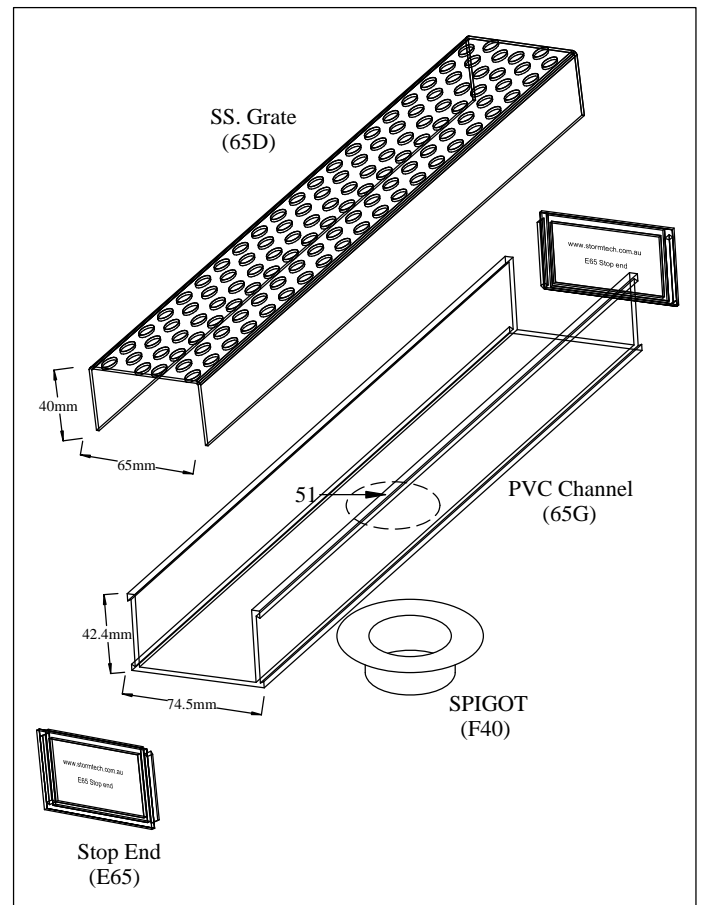
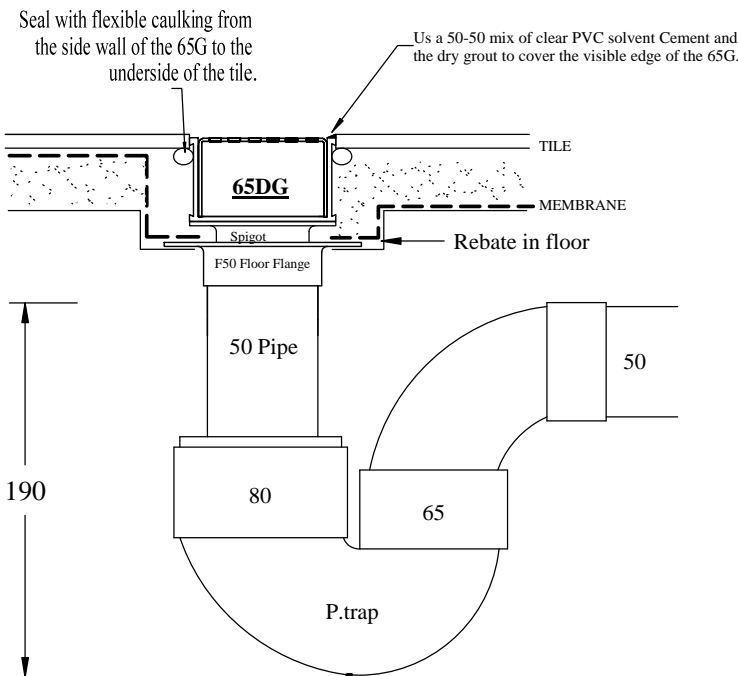
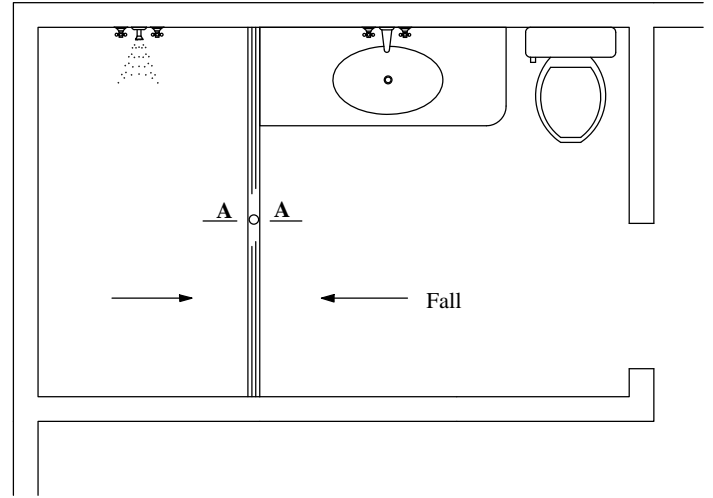
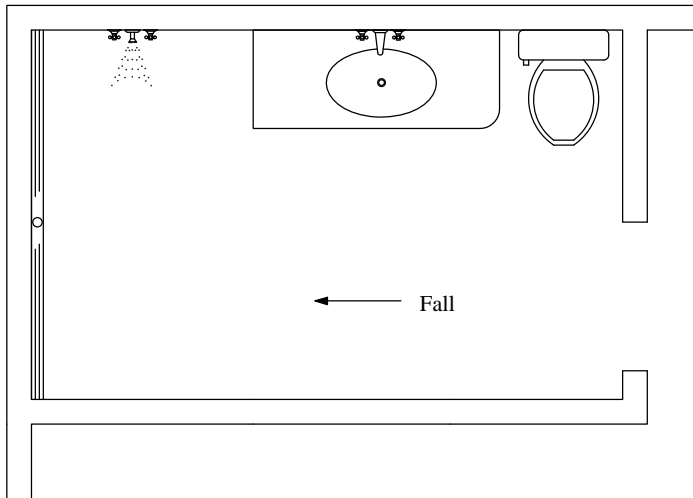
Slab on ground.



Suspended Slab



An F65 spigot fits in a 50 DWV pipe and should drain 1.0 L/s..... We recommend these Spigots every 2m.. not more than 1.0m from end.
The loose fitting Spigots provide an outlet for moisture in the waterproof rebate and allows the Channel to be removed for safe keeping until tiling.



This design conforms with Plumbing Code AS3500

The loose fitting Spigot provides an outlet for moisture in the waterproof rebate and allows the Channel to be removed for safe keeping until tiling.

The F40 Spigot fits in a 50DWV pipe and should drain 1 L/s

One bathroom tap delivers 0.3 litres/sec maximum.



Drill 51mm hole and glue Spigot to bottom of Channel with clear PVC solvent cement.

Install the P.trap & fittings as per the Plumbing Code of Australia AS3500.

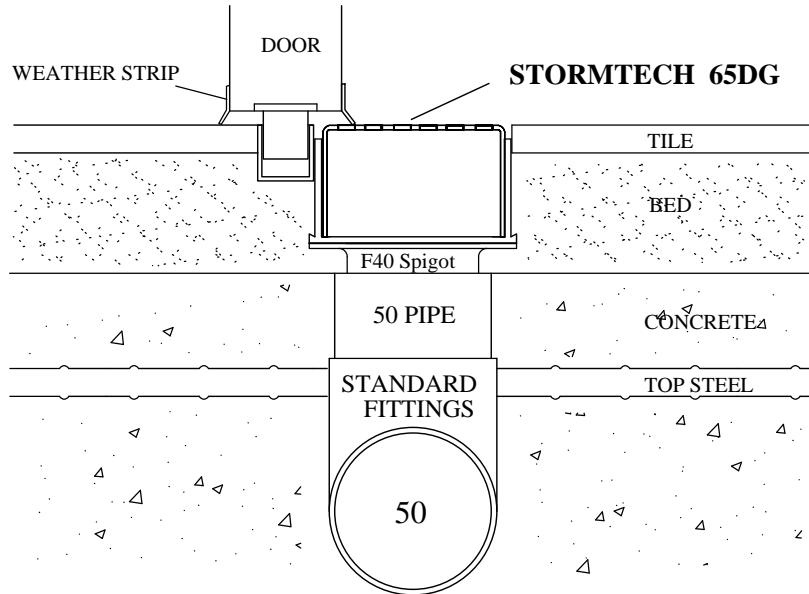
Patent 733361.

STORMTECH Pty Ltd

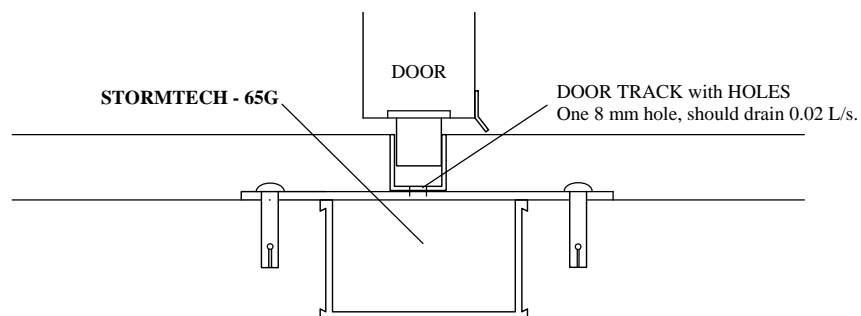
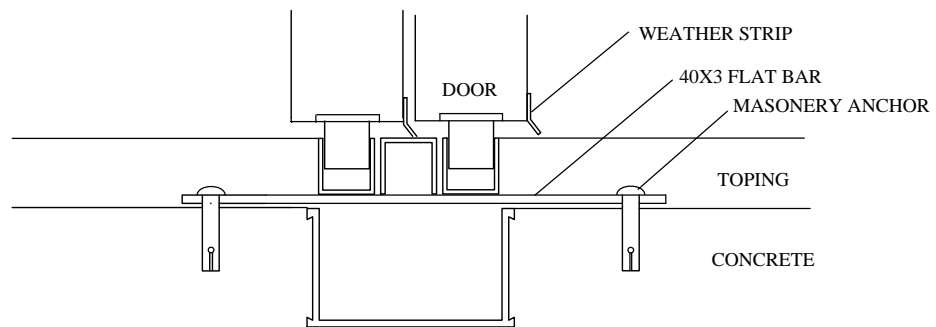
Architectural grates & drains

www.stormtech.com.au

THRESHOLD



Provide access to drain pipes for cleaning.

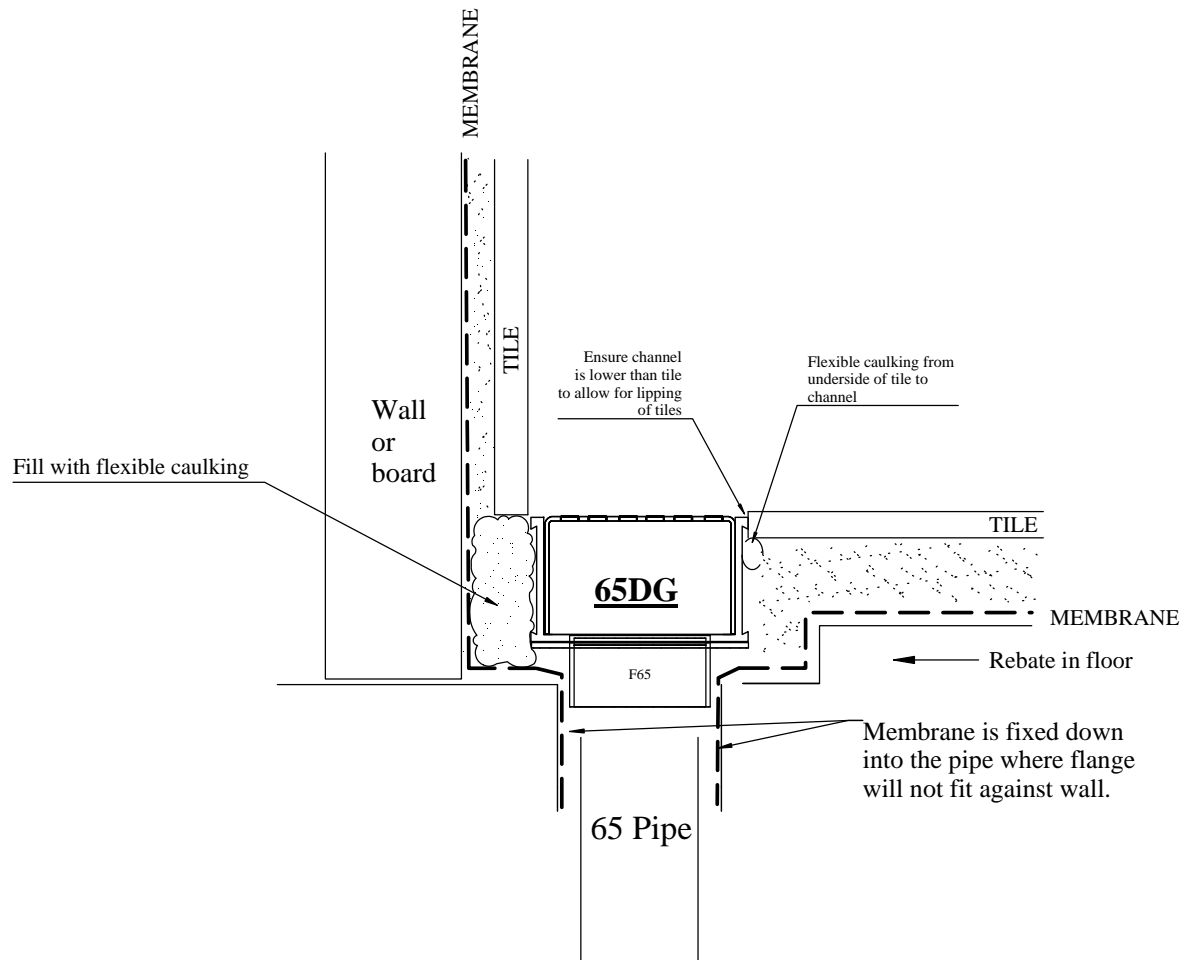


Suggested designs only.
Stormtech only supply the PVC drains.

(Patent 733361)

NOTE, all information remains the intellectual property of Stormtech Pty Ltd. This information is for reference only, no liability is accepted for any use of this information.

65DG Against Wall



STORMTECH Pty Ltd

Architectural Grates and Drains

Product Care.

Stormtech use high quality stainless steel in the fabrication of our grates.

Care of the product is easy, simply remove the grates periodically, ie every three to six months and remove collected debris, and clear out the channel.

If in a severe environment the grate shows signs of staining most stainless steel cleaner/protector products will remove it.

Stainless steel is tough, but not magic. Without regular maintenance it will not stay in prime condition.

47 Tallais Close
Worrige NSW 2540
Ph. 02 4423 1989
Fax. 02 4423 5552
e-mail: info@stormtech.com.au
www.stormtech.com.au

100TIF

Product Information



100TIF

100mm Wide Stainless Steel Tile Insert Frame with PVC Channel

Product Description

The 316 stainless steel frame in which any chosen tile will be inserted allows a complete integration in a tiled area providing a discreet finish with exceptional design flexibility.

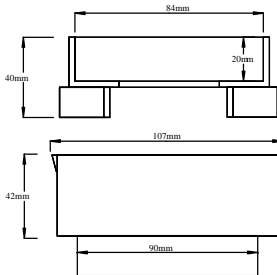
The frame accepts any tile to a maximum depth of 20mm.

This innovative product removes water from the trench along its length using one or more outlets, improving efficiency of the drain, removing far larger quantities of water than would otherwise be possible.

When large format tiles are selected, Stormtech is an essential component, as it removes the need to crosscut the tiles.

When used in bathrooms, particularly shower areas the slope of the floor can be made into a uniform direction, without the multiple fall required when using central floor drains. This increases safety by allowing the use of non-slip tiles, reducing the amount of water pooling on the floor surface and removing the need for steps, hobs and frames, thus reducing trip hazards.

Product Diagram



Product Applications

[Bathrooms](#)

[Suspended Slabs and Balconies](#)

[Thresholds and Doortracks](#)

[Pools and Paved Areas](#)

[Patios, Courtyards and Terraces](#)

[Commercial Applications and Large Scale Projects](#)

[Special Needs Access](#)

Pages:

- 1, installation - timber substrate
- 2, installation - concrete substrate
- 3, installation - bathroom
- 4, installation - threshold
- 5, installation - against wall

<http://www.stormtech.com.au/100tif.html>

65TIF Product Information

<http://www.stormtech.com.au/65tif.html>



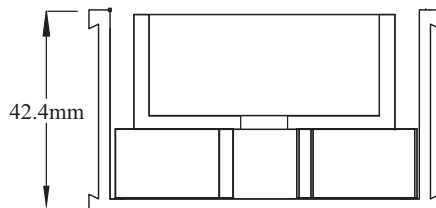
65TIF

65mm Stainless Steel Tile Insert Frame with PVC Channel

Product Description

The 316 stainless steel frame in which any chosen tile will be inserted allows a complete integration in a tiled area providing a discreet finish with exceptional design flexibility.

Product Diagram



This innovative product removes water from the trench along its length using one or more outlets, improving efficiency of the drain, removing far larger quantities of water than would otherwise be possible.

When large format tiles are selected, Stormtech is an essential component, as it removes the need to crosscut the tiles.

When used in bathrooms, particularly shower areas the slope of the floor can be made into a uniform direction, without the multiple fall required when using central floor drains. This increases safety by allowing the use of non-slip tiles, reducing the amount of water pooling on the floor surface and removing the need for steps, hobs and frames, thus reducing trip hazards.

Product Applications

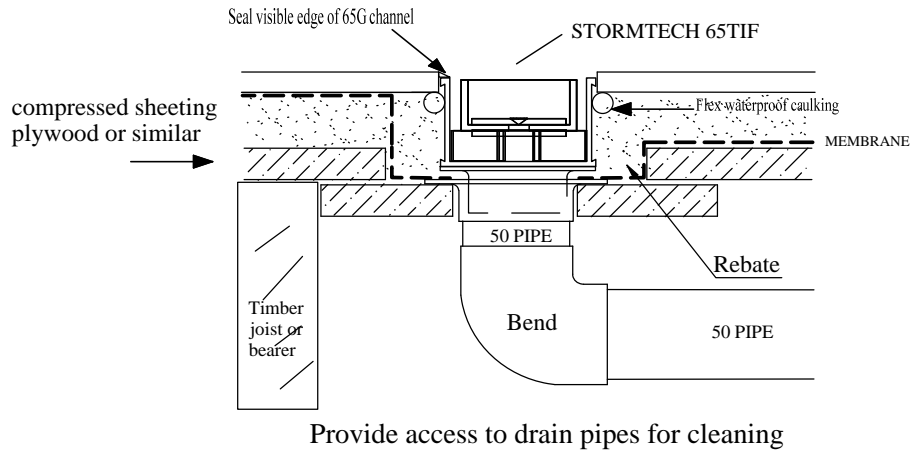
- [Bathrooms](#)
- [Suspended Slabs and Balconies](#)
- [Thresholds and Doortracks](#)
- [Pools and Paved Areas](#)
- [Patios, Courtyards and Terraces](#)
- [Commercial Applications and Large Scale Projects](#)
- [Special Needs Access](#)

Pages:

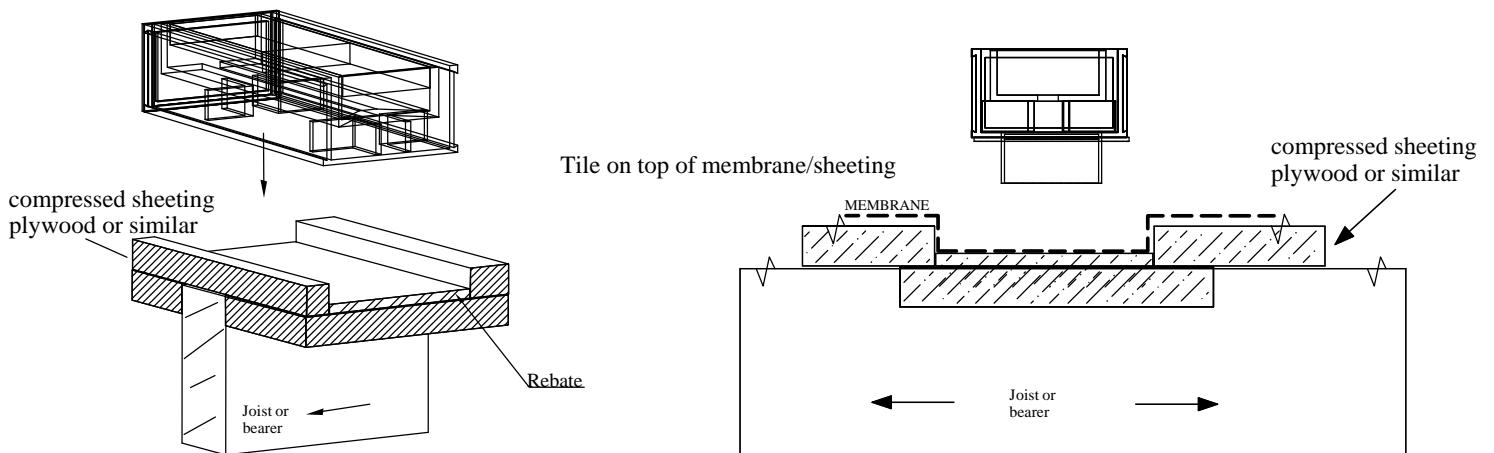
1. installation - timber substrate
2. installation - concrete substrate
3. installation - bathroom
4. installation - threshold
5. installation - against wall

65TIF TIMBER FLOOR/DECK Standard installation

When 65TIF is running parrallel to joist/bearer



When 65TIF is running perpendicular to joist/bearer

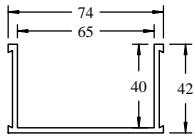


NOTE if waterproofing is required the rebate must be waterproofed before laying the 65TIF system.

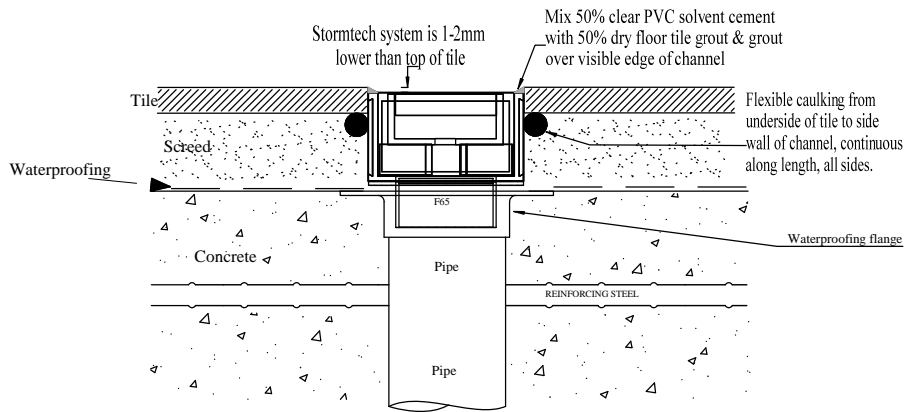
An F65 spigot fits in a 50 DWV pipe and should drain 1.0 L/s..... We recommend these Spigots every 1m.. not more than 1.0m from end.
The loose fitting Spigots provide an outlet for moisture in the waterproof rebate and allows the Channel to be removed for safe keeping until tiling.

65TIF CONCRETE FLOOR/DECK

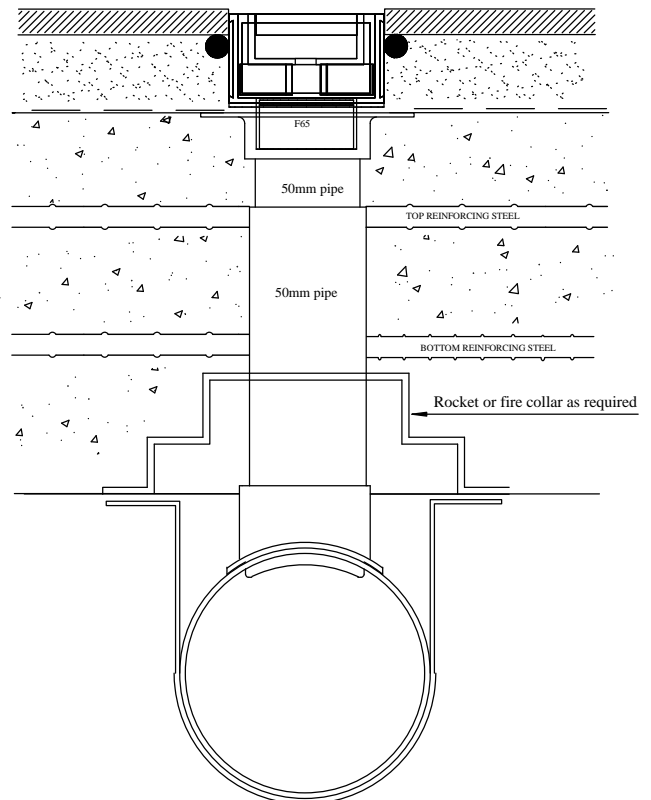
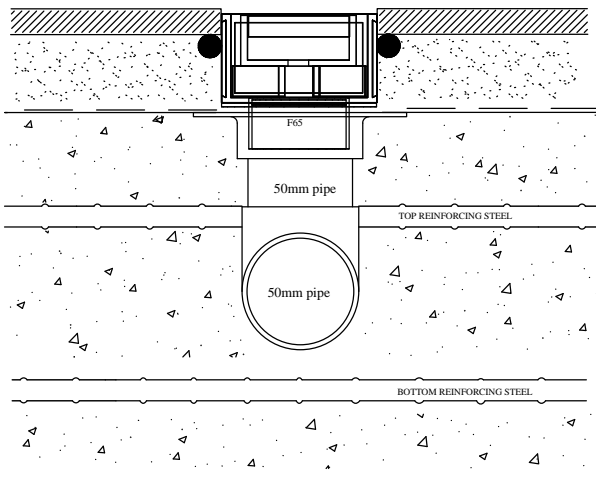
Standard installation



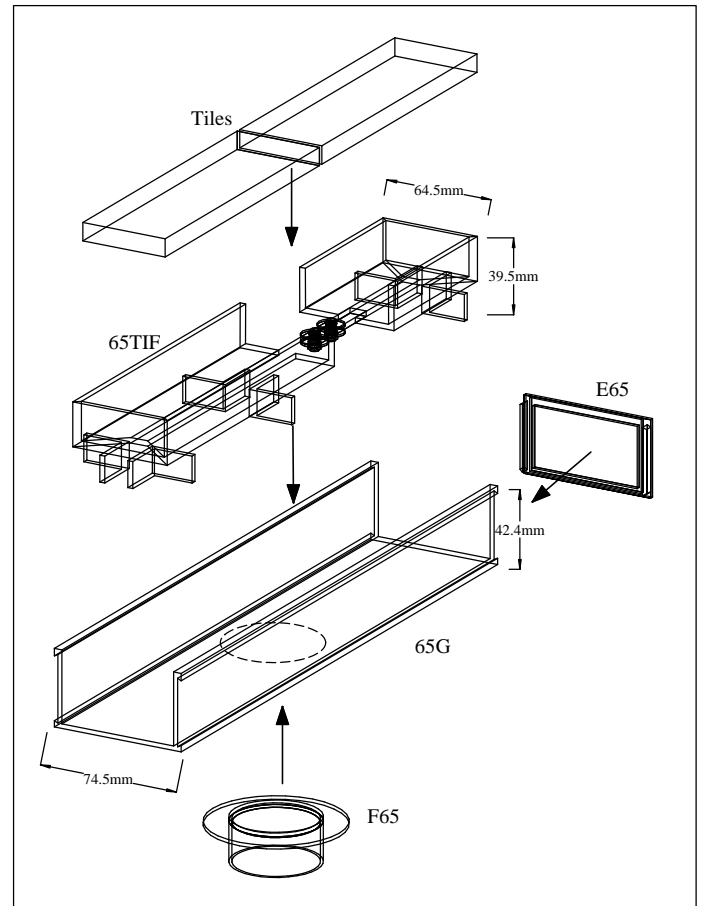
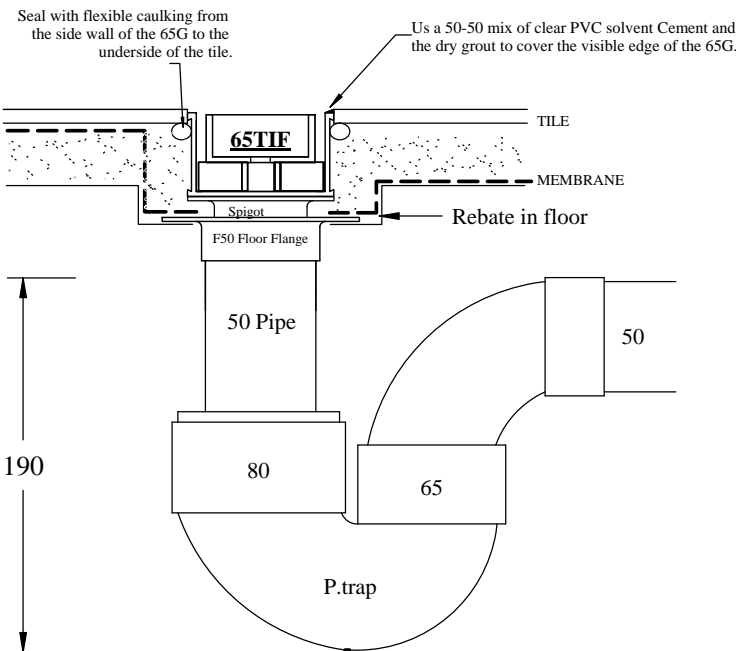
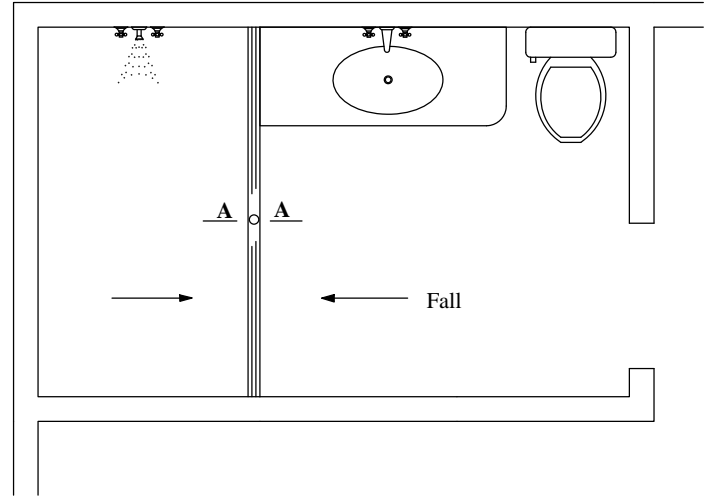
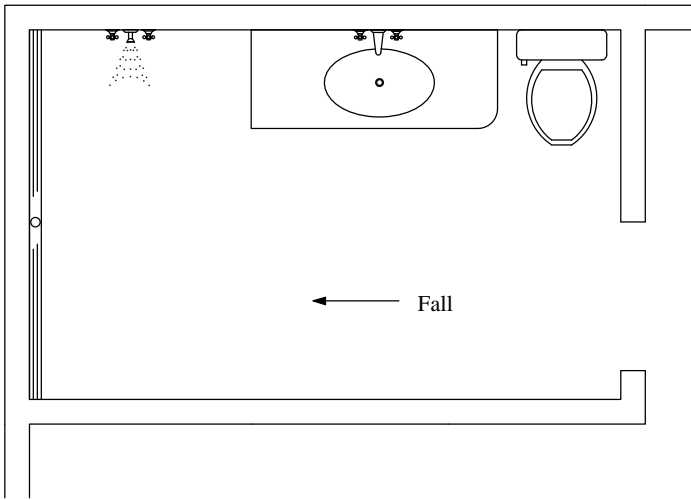
Slab on ground.



Suspended Slab



An F65 spigot fits in a 50 DWV pipe and should drain 1.0 L/s..... We recommend these Spigots every 2m.. not more than 1.0m from end.
The loose fitting Spigots provide an outlet for moisture in the waterproof rebate and allows the Channel to be removed for safe keeping until tiling.



This design conforms with Plumbing Code AS3500

The loose fitting Spigot provides an outlet for moisture in the waterproof rebate and allows the Channel to be removed for safe keeping until tiling.

The F40 Spigot fits in a 50DWV pipe and should drain 0.7 L/s

One bathroom tap delivers 0.3 litres/sec maximum.

Drill 51mm hole and glue Spigot to bottom of Channel with clear PVC solvent cement.

Install the P.trap & fittings as per the Plumbing Code of Australia AS3500.

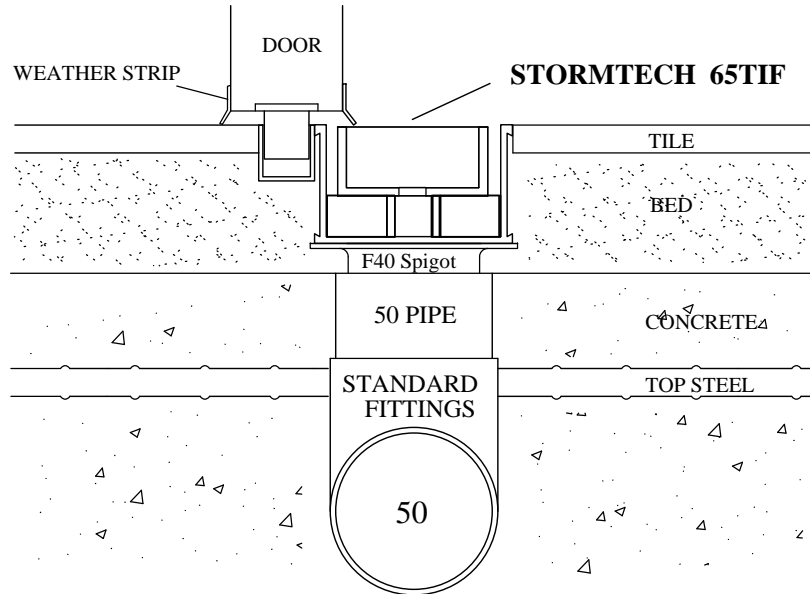
Patent 733361.

STORMTECH Pty Ltd

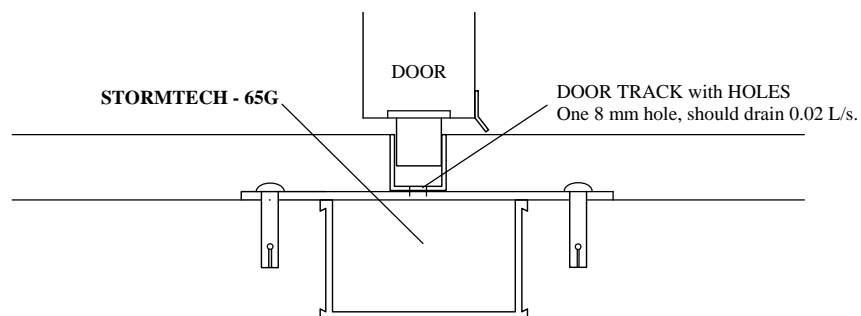
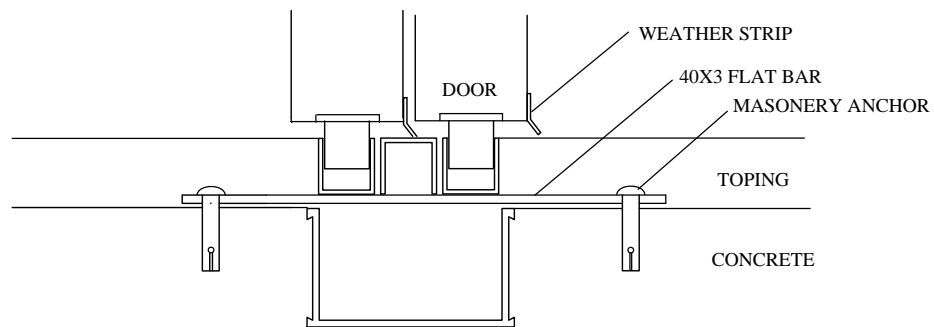
Architectural grates & drains

www.stormtech.com.au

THRESHOLD



Provide access to drain pipes for cleaning.

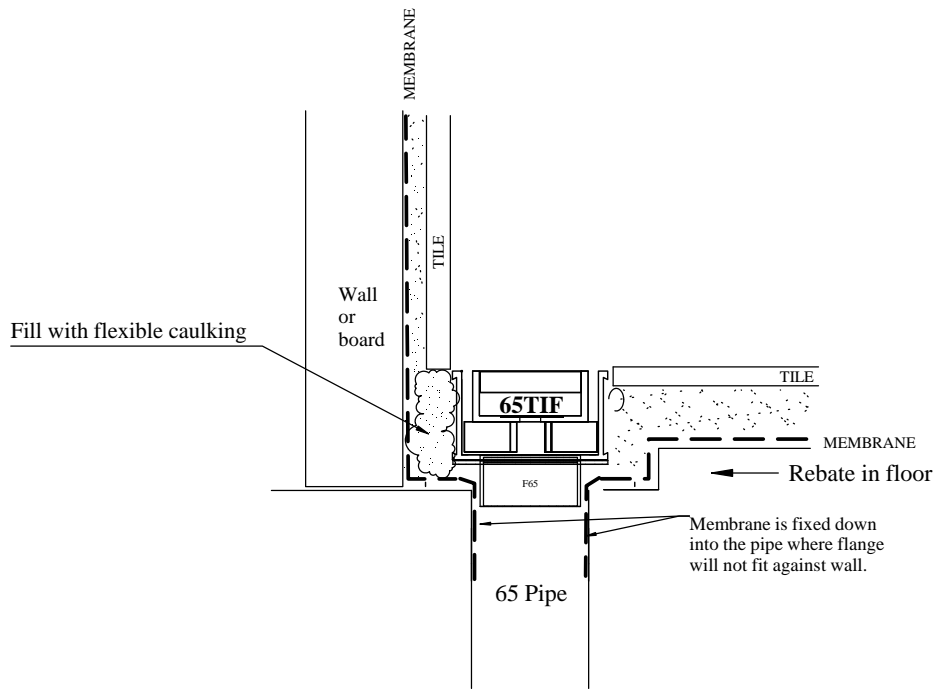


Suggested designs only.
Stormtech only supply the PVC drains.

(Patent 733361)

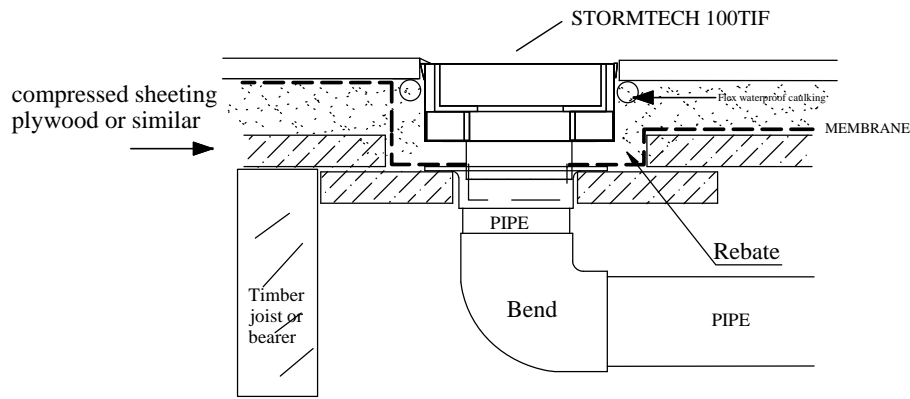
NOTE, all information remains the intellectual property of Stormtech Pty Ltd. This information is for reference only, no liability is accepted for any use of this information.

65TIF Against Wall



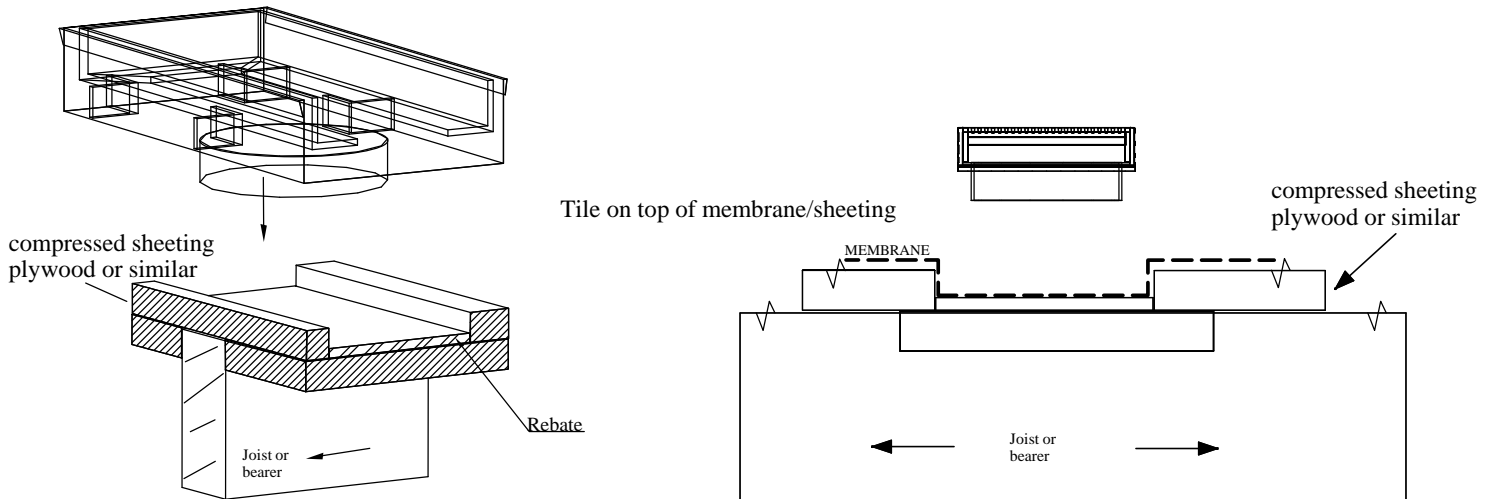
100TIF TIMBER FLOOR/DECK Standard installation

When 100TIF is running parallel to joist/bearer



Provide access to drain pipes for cleaning

When 100TIF is running perpendicular to joist/bearer



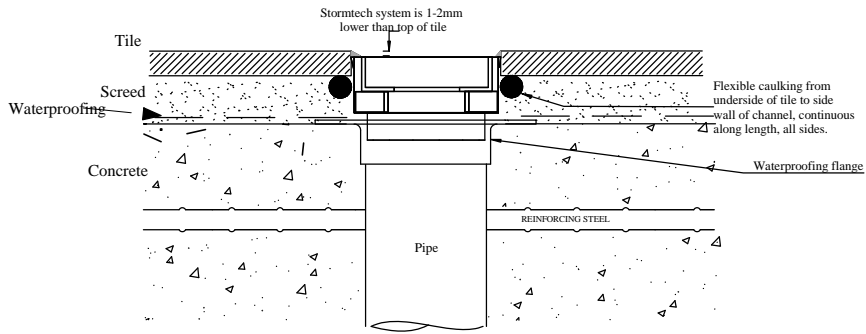
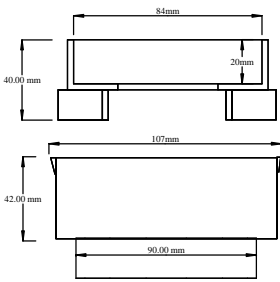
NOTE if waterproofing is required the rebate must be waterproofed before laying the 100TIF system.

The spigot fits loosely in a 100 DWV pipe and should drain 1.0 L/s..... We recommend these Spigots every 2m.. not more than 1.0m from end.
The loose fitting Spigots provide an outlet for moisture in the waterproof rebate and allows the Channel to be removed for safe keeping until tiling.

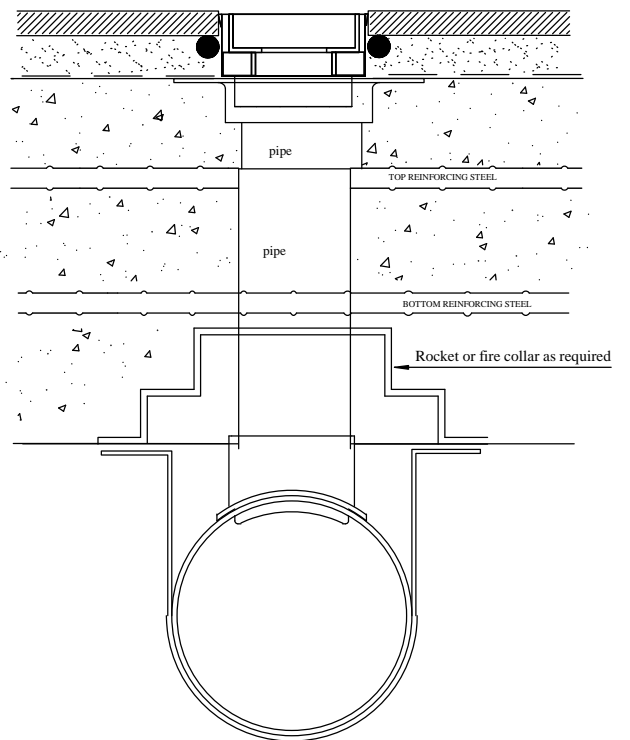
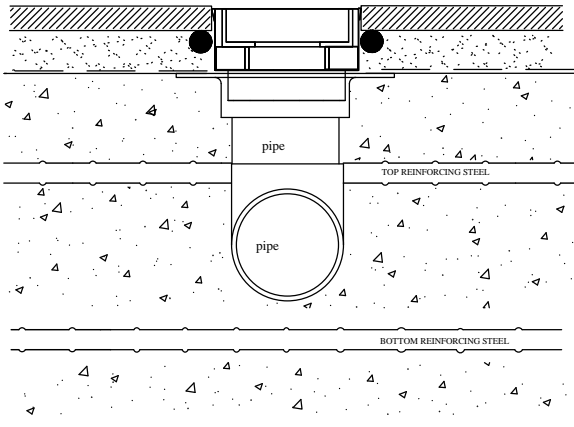
100TIF CONCRETE FLOOR/DECK

Standard installation

Slab on ground.

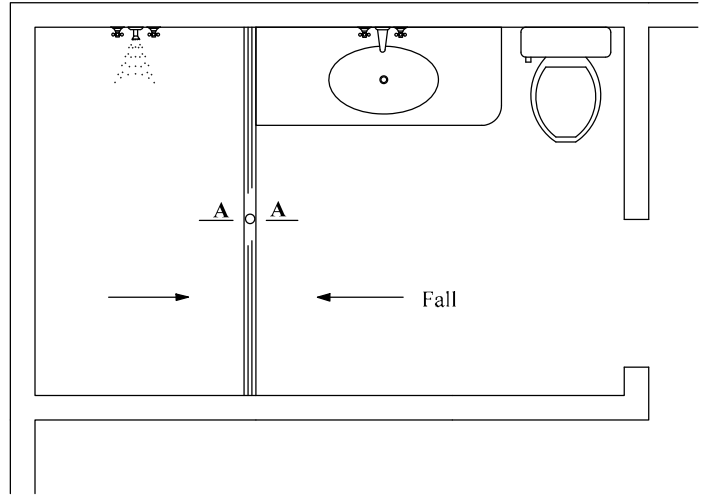
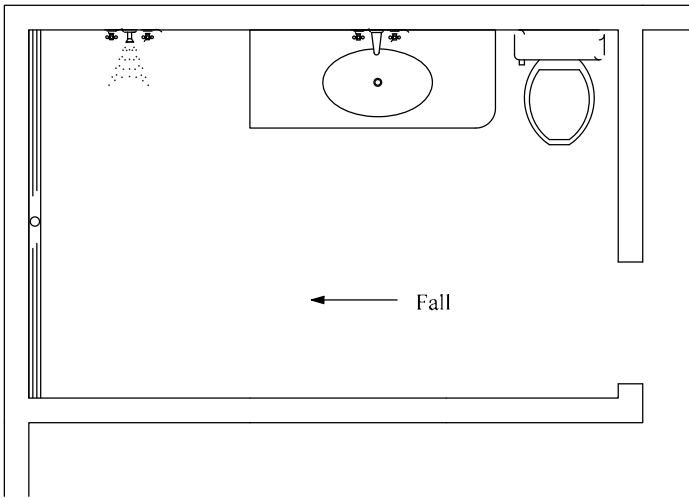


Suspended Slab

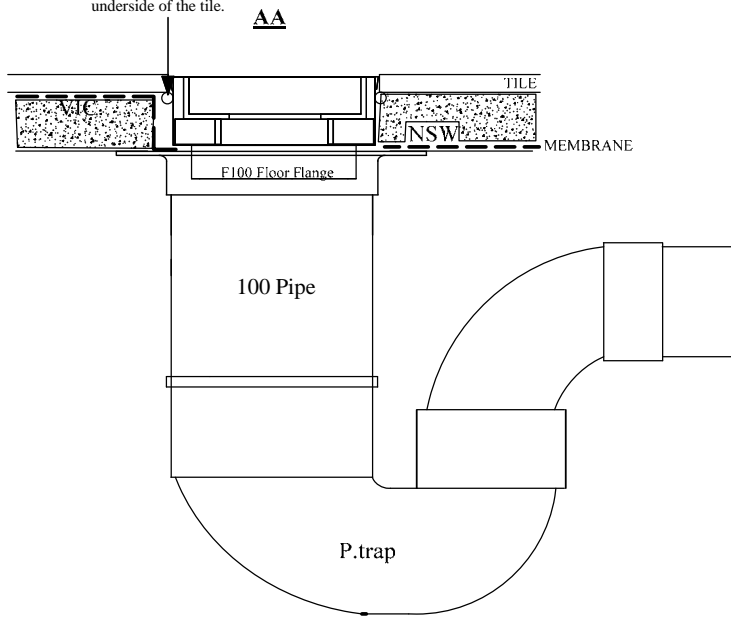


The spigot fits in a 100 DWV pipe and should drain 1.0 L/s..... We recommend these Spigots every 2m.. not more than 1.0m from end.

The loose fitting Spigots provide an outlet for moisture in the waterproof rebate and allows the Channel to be removed for safe keeping until tiling.



Seal with flexible caulking from
side wall of the 100TIF tray to the
underside of the tile.



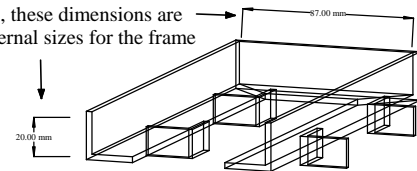
This design conforms with Plumbing Code AS/NZS 3500.
The loose fitting spigot provides an outlet for moisture in
the waterproof rebate and allows the Channel to be
removed for safe keeping until tiling.

The spigot should drain over 1 litre per second.
A bathroom tap delivers 0.3 l/s approx.

Install the P.trap & fittings as per the Plumbing Code of Australia AS3500.

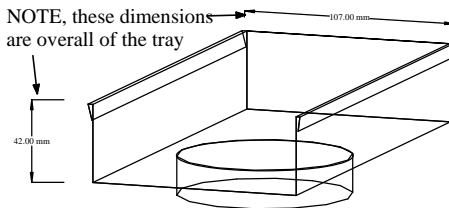
STORMTECH
100TIF

NOTE, these dimensions are
the internal sizes for the frame



FRAME

NOTE, these dimensions
are overall of the tray



TRAY

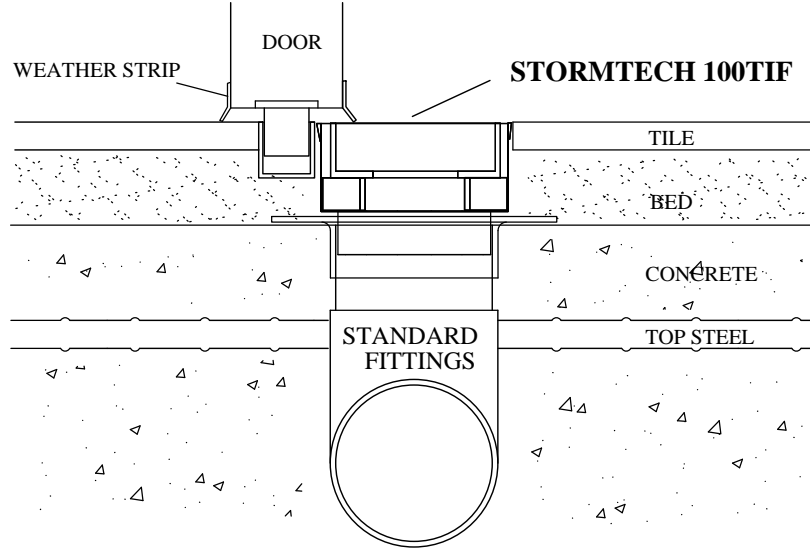
Installation of the tiles is generally best left till floor tiling is
completed.

STORMTECH Pty Ltd

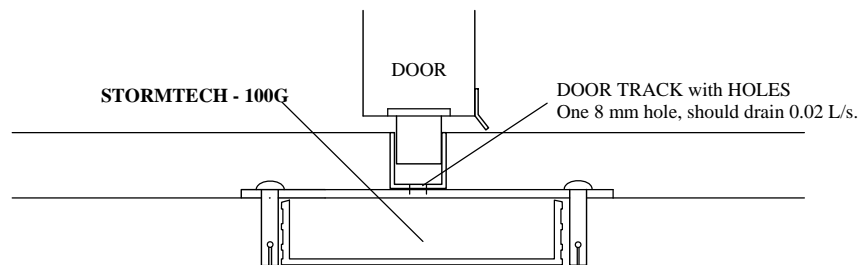
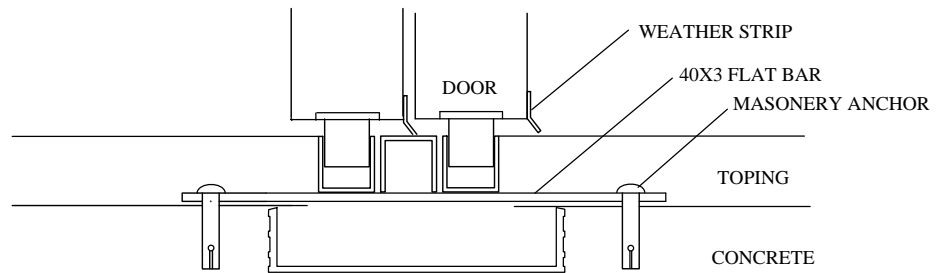
Architectural grates & drains

www.stormtech.com.au

THRESHOLD



Provide access to drain pipes for cleaning.

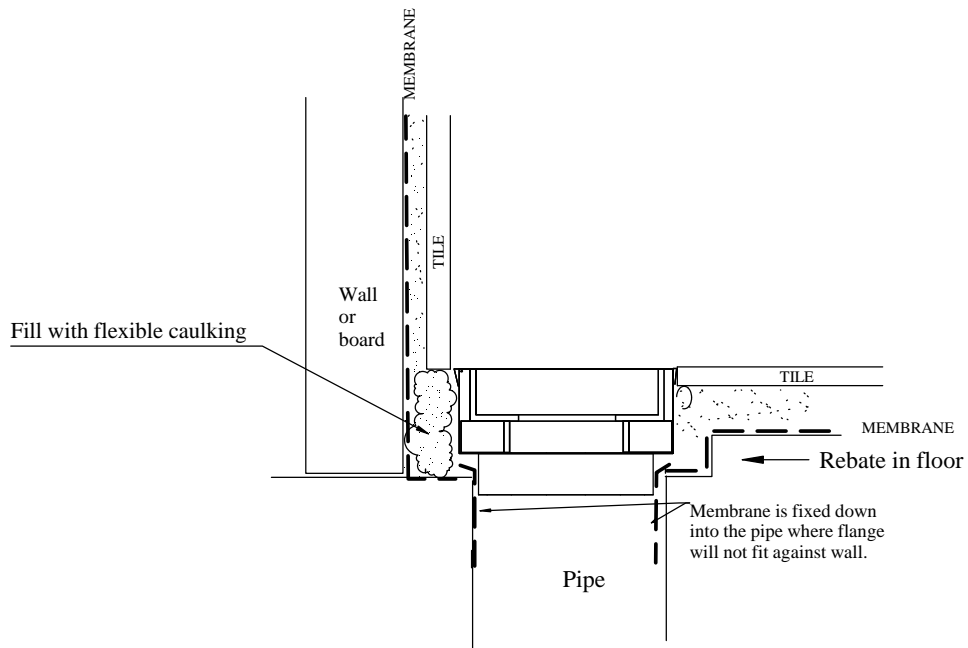


Suggested designs only.
Stormtech only supply the PVC drains.

(Patent 733361)

NOTE, all information remains the intellectual property of Stormtech Pty Ltd. This information is for reference only, no liability is accepted for any use of this information.

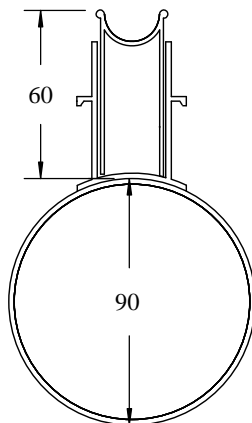
100TIF Against Wall



Slot Drain Product Information



Product Diagram



SD

Slot Drain

Product Description

The original Slot Drain is one of the first Stormtech products. It has a 2mm opening on the top with 20 slots draining into a 90mm drain pipe.

The Slot Drain is used for stormwater run-off and also suitable for surface water drainage around garages, driveways, paths, pedestrian and paved areas, courtyards, sporting areas or garden edges.

Product Applications

[Driveways](#)

[Thresholds and Doortracks](#)

[Pools and Paved Areas](#)

[Patios, Courtyards and Terraces](#)

[Commercial Applications and Large Scale Projects](#)

[Special Needs Access](#)

Pages:

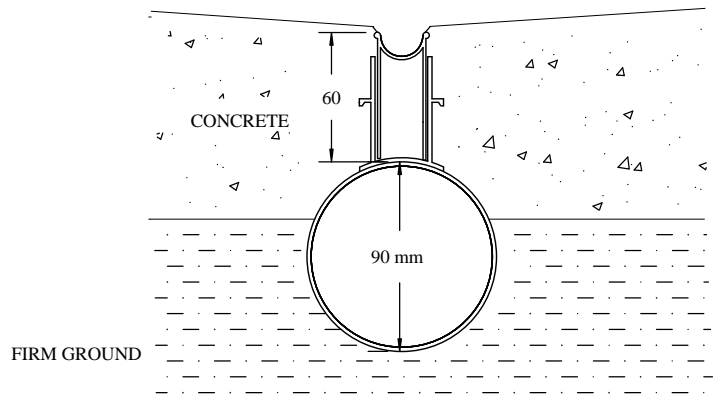
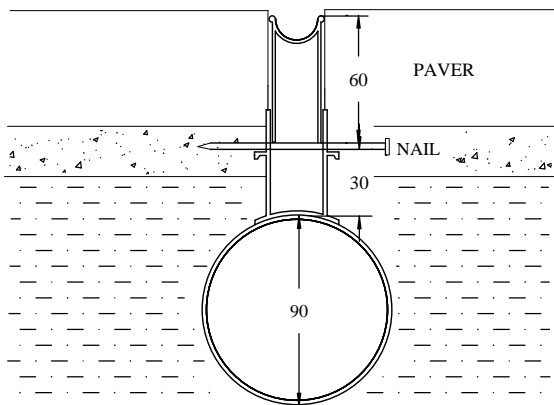
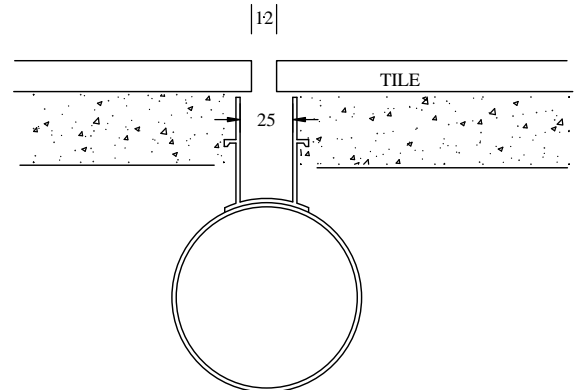
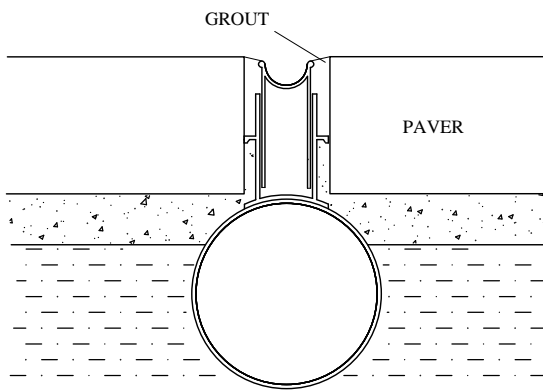
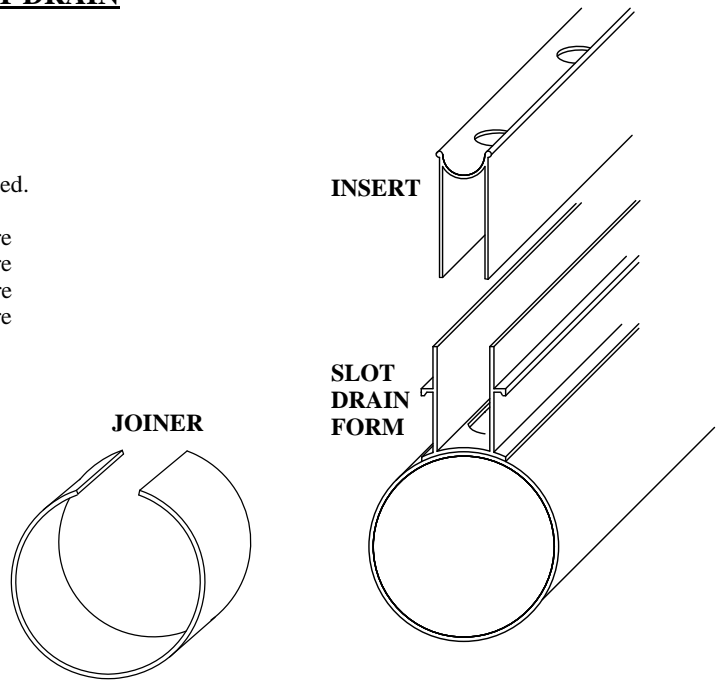
1. Slot Drain

2. Hydraulic Guide

SLOT DRAIN

- DRAIN FORM** 3m long, heavy duty UPVC.
with 20 slots (23 x 130) into pipe.
- INSERT** colour beige, UV stable UPVC.
Drill holes with dowel bit or pre-drilled.
- INTAKE** 10mm holes @ 50mm = 0.7 L/s. metre
13mm holes @ 50mm = 1.0 L/s. metre
12mm Open slot = 2.0 L/s. metre
25mm Open slot = 4.0 L/s. metre
- FULL FLOW** 6 litres per second.
- WHEEL LOAD** = Concrete / Paving strength.

1. Glue joiner around pipes & secure with tie wire.
2. Use standard 90mm pipe fittings for bends etc.
3. Provide access to drain pipe for cleaning.
4. Allow 5mm expansion gap, between Inserts.
5. Secure drain, or it will float & move when concreting.
6. Lay pavers hard up against Insert, on mortar bed.
7. Finish concrete/paving 2mm above Insert.



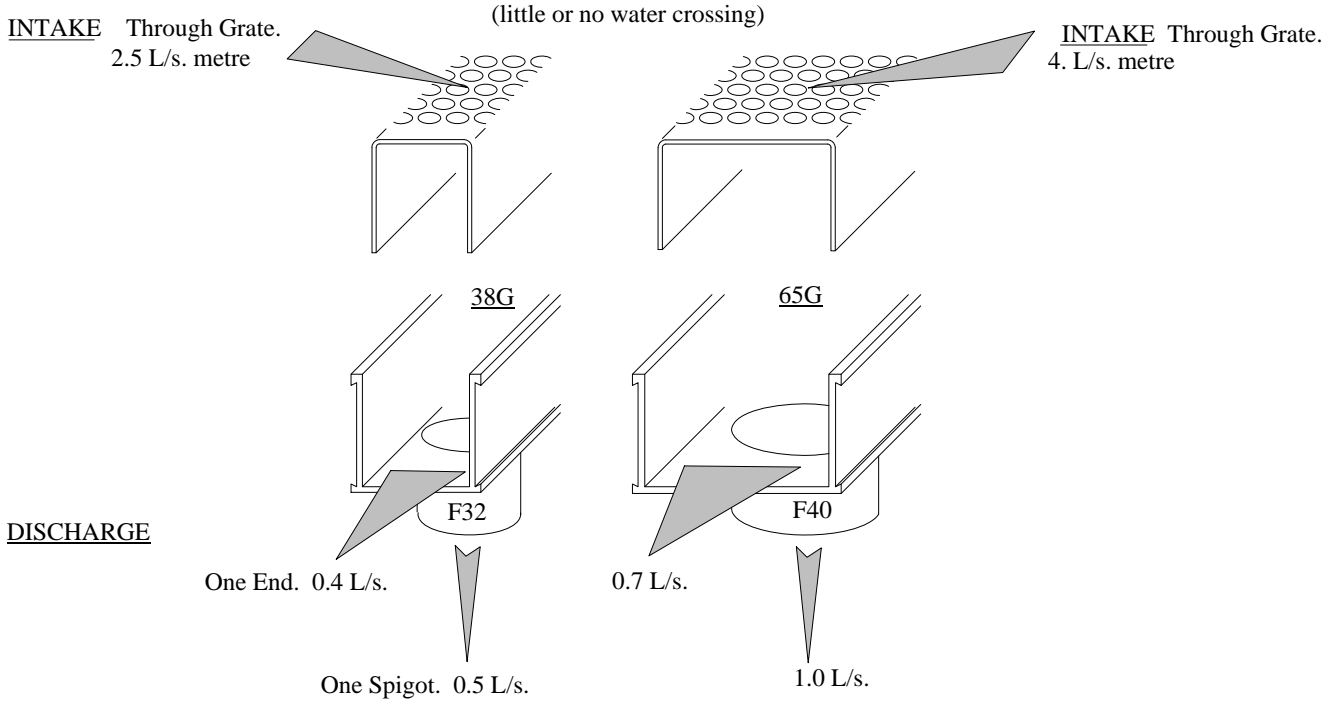
(Patent 626564)

STORMTECH Pty Ltd

Architectural grates & drains

www.stormtech.com.au

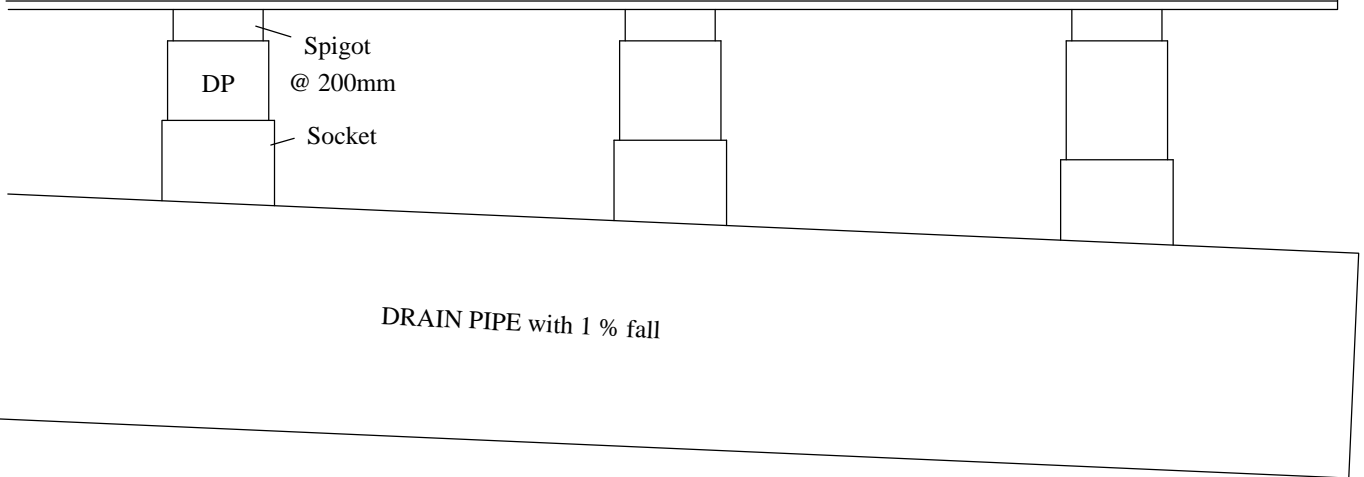
HYDRAULIC GUIDE



Special Assembly

DISCHARGE 5 Spigots. F32 = 2.5 L/s. metre

GUTTER CHANNEL



Drain Pipes (with 1% fall) 40mm = 0.7 L/s. 50 = 1.5 65 = 2.5 90 = 6 100 = 10 150 = 30. L/s. discharge.

$\frac{\text{AREA}}{3600} \times \text{RAINFALL} = \text{L/s.}$ eg. $\frac{18\text{m}^2}{3600} \times 200\text{mm/hr.} = 1 \text{ L/s.}$

Brisbane 20 year = 239mm/hr. 100 year = 312mm/hr. rainfall.
 Sydney " = 212 " " = 277 "
 Melbourne " = 91 " " = 117 "

One Bathroom Tap delivers 0.3 L/s.

NOTE This is only a guide.

65G100 Special Assembly Product Information



65 G100

Special Assembly (100mm Drainpipe with 65G PVC Channel)

Product Description

The 65G100 Stormtech Special Assembly channel has spigots at 200mm centres connected via downpipes of varying length to sockets in a 100mm drainpipe below.

This allows the channel to be installed level while the drainpipe is given sufficient fall to be self-cleaning.

This product is used in areas in need of superior rates of drainage, where the standard 65 with an outlet every 2 meters will not allow the removal of large enough quantities of water.

To complete the Special Assembly you can either use the 65A Architectural grate or the 65D Perforated grate.

The Special Assembly is the preferred drain for pool surrounds, courtyards and large level areas such as pedestrian areas, sporting grounds or car parks.

Product Applications

[Suspended Slabs and Balconies](#)

[Thresholds and Doortracks](#)

[Driveways](#)

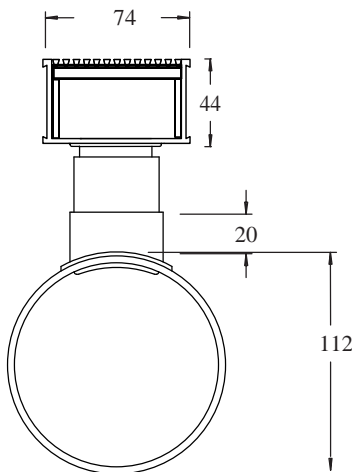
[Pools and Paved Areas](#)

[Patios, Courtyards and Terraces](#)

[Commercial Applications and Large Scale Projects](#)

[Special Needs Access](#)

Product Diagram

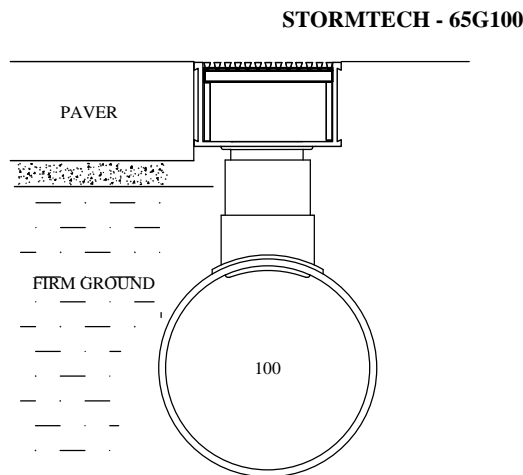


Pages:

1. Slab on ground
2. Suspended Slab
3. Hydraulic Guide

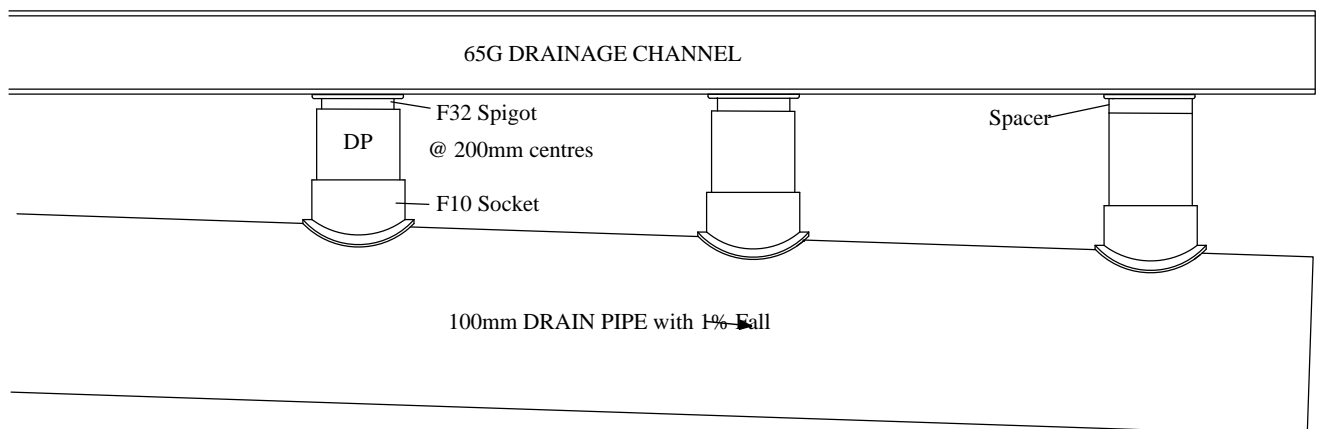
65G100 Special Assembly

Slab on Ground



The Channel and Pavers should be laid on a bed of mortar.

Perforated Grates filter out leaves & debris over 6.35mm...This could reduce the fluid intake...Sand & fine particles that accumulate in the Channel should be eroded by water flowing into the Spigots every 200mm... Drain Pipes with 1 % fall require little or NO MAINTENANCE...however ... PROVIDE ACCESS TO DRAIN PIPES for cleaning. Do not use electric eels.
 WHEEL LOAD = concrete/paving strength. SAFE with high heels and fork lift trucks.
 DRAINAGE CAPACITY = 2.5 L/s metre.
 FULL FLOW of Drain Pipes 100 = 10 L/s.;



Each 3m length of Drain is supplied with one 3m length of 40mm DWV cut the pipe to the length required.
 Installation normally starts at outlet with longest DP's.

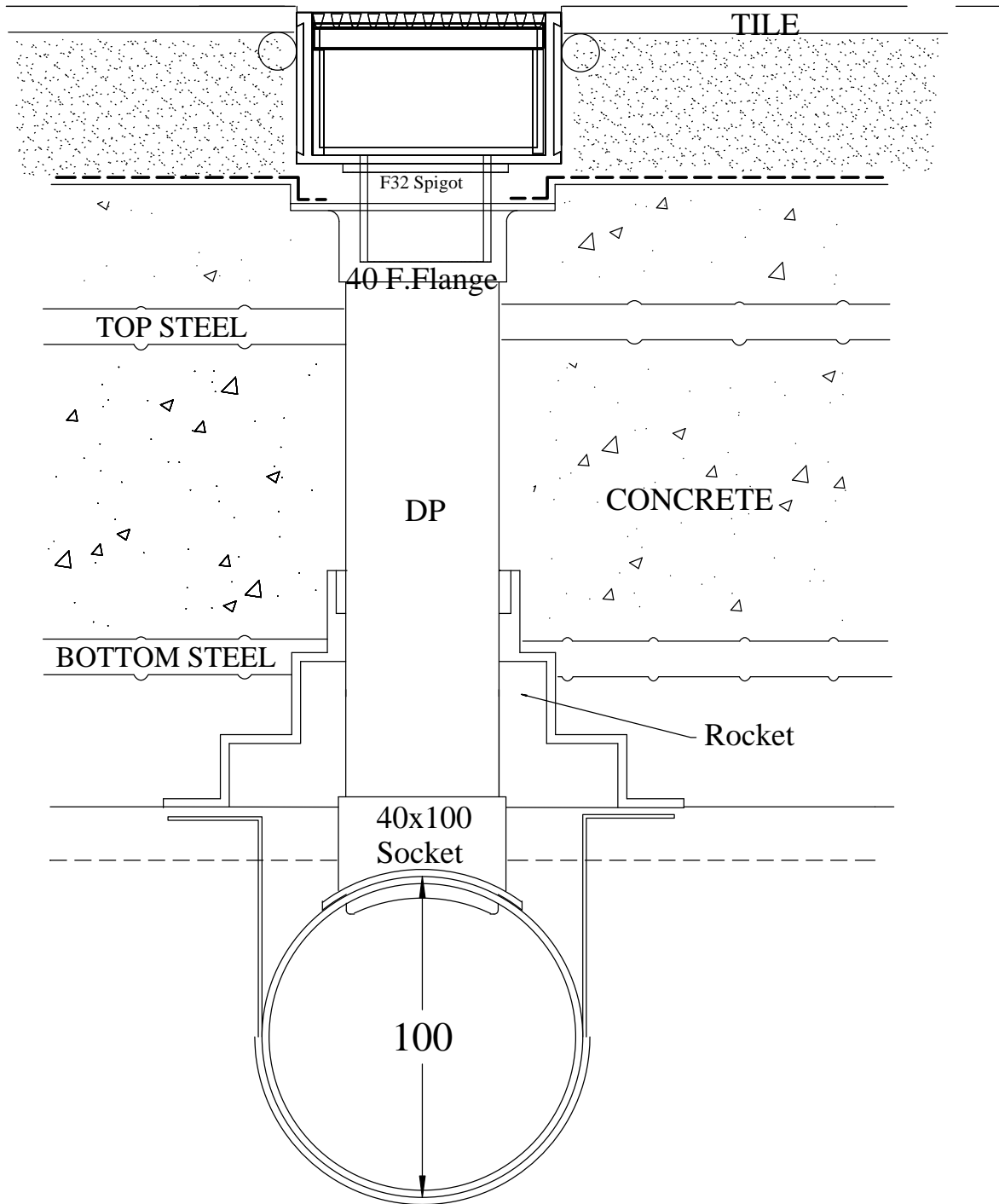
ASSEMBLE 1st. length of Drain ; Glue DP's in pipe Sockets with PVC solvent cement.
 Place Spacer over 1st. Spigot and align with DP. Fit Spigots in DP's.

ASSEMBLE remaining lengths of Drain. Cut last Drain to length required.
 CUT Channels or drain pipes, so that Channels butt together..Join pipes with standard fittings.
 POSITION Drains in trench, install Grates (or timber form).
 GLUE Joiners in rebated sides of Channels .(x) Glue Stop Ends in Channel .
 ADJUST to string line and secure Channel to DP's with glue every metre. (x).
 (x) Do not glue if Channels are to be removed , for safe keeping , until needed in topping.
 COVER Grates with tape..Installation MUST BE SECURE or it will move when concreting.
 HANDLE WITH CARE. Spigots and Sockets can be broken off..(repair with solvent cement)
 SUNLIGHT may cause Drains to bend before they are installed.

65G100 Special Assembly

Suspended Slab

STORMTECH - 65AG100

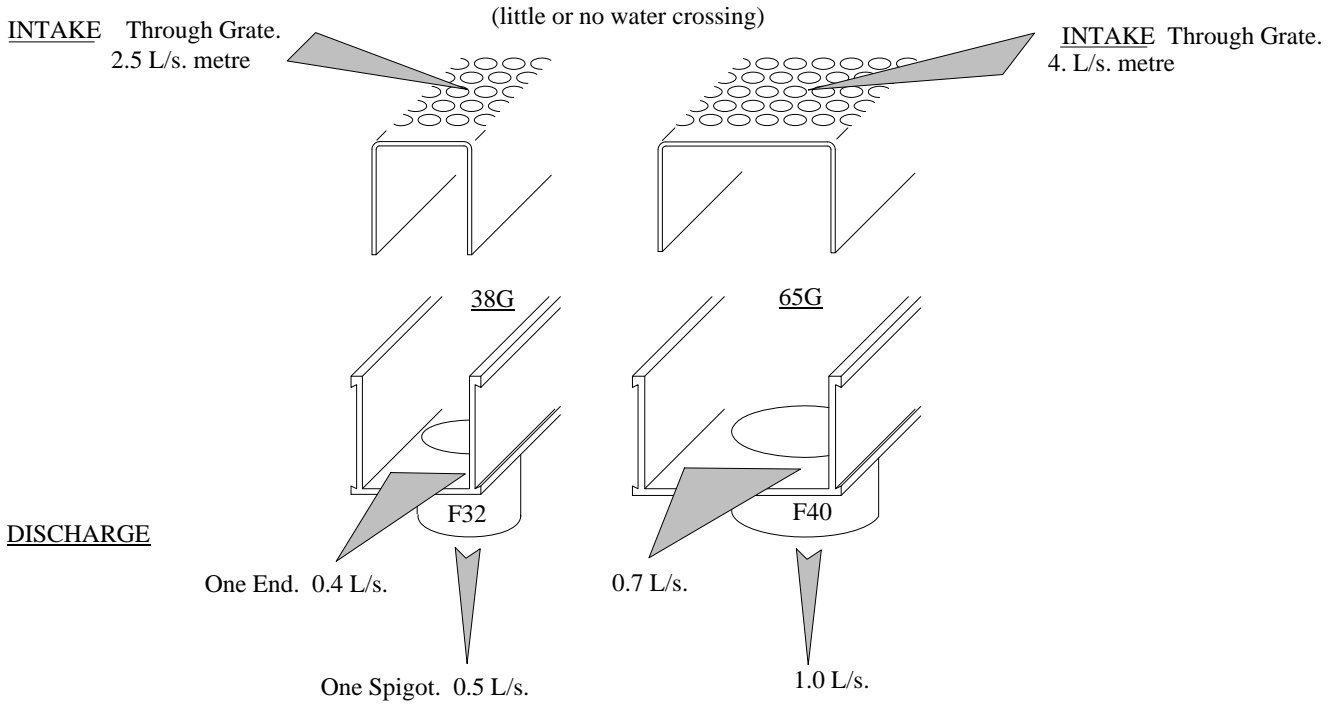


STORMTECH Pty Ltd

Architectural grates & drains

www.stormtech.com.au

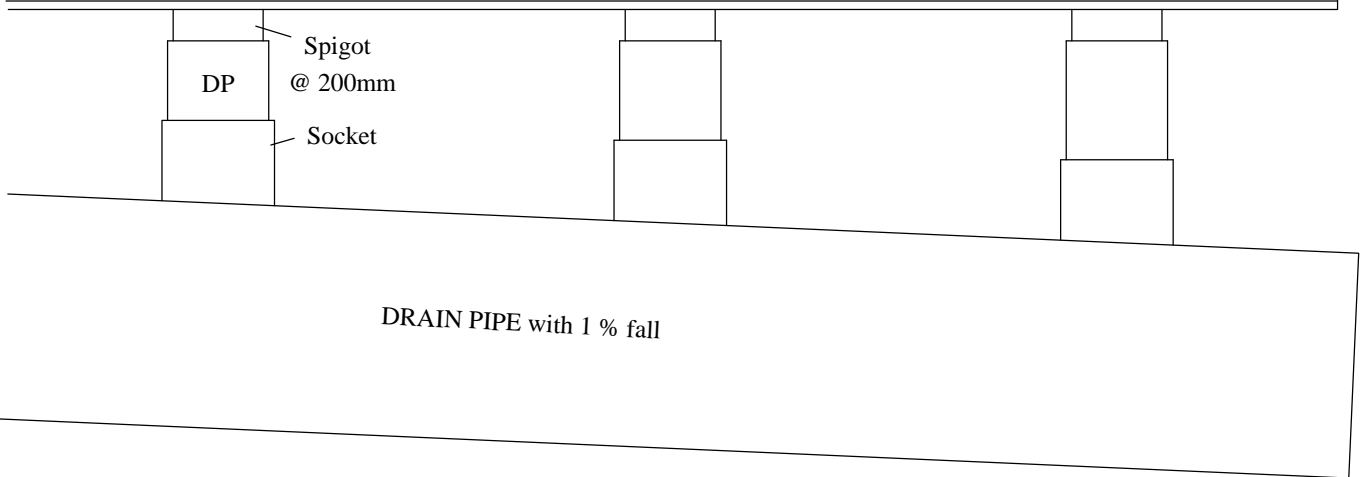
HYDRAULIC GUIDE



Special Assembly

DISCHARGE 5 Spigots. F32 = 2.5 L/s. metre

GUTTER CHANNEL



Drain Pipes (with 1% fall) 40mm = 0.7 L/s. 50 = 1.5 65 = 2.5 90 = 6 100 = 10 150 = 30. L/s. discharge.

AREA / 3600 x RAINFALL = L/s. eg. $\frac{18\text{m}^2}{3600} \times 200\text{mm/hr.} = 1 \text{ L/s.}$

Brisbane 20 year = 239mm/hr. 100 year = 312mm/hr. rainfall.
 Sydney " = 212 " " = 277 "
 Melbourne " = 91 " " = 117 "

One Bathroom Tap delivers 0.3 L/s.

NOTE This is only a guide.

38G 90 Special Assembly Product Information

<http://www.stormtech.com.au/38g90.html>



38G90

Special Assembly 38G90 (Drain pipe with 38G PVC Channel)

Product Description

The Stormtech Special Assembly channel has spigots at 200mm centres connected via downpipes of varying length to sockets in a 90mm drainpipe below.

This allows the channel to be installed level while the drainpipe is given sufficient fall to be self-cleaning.

This product is used in areas in need of superior rates of drainage, where the standard 38G with an outlet every 2 meters will not allow the removal of large enough quantities of water.

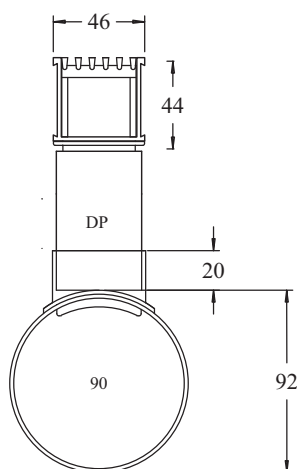
To complete the Special Assembly you can either use the 38A Architectural grate or the 38D Perforated grate.

The Special Assembly is the preferred drain for pool surrounds, courtyards and large level areas such as pedestrian areas, sporting grounds or car parks.

Product Applications

- [Suspended Slabs and Balconies](#)
- [Thresholds and Doortracks](#)
- [Driveways](#)
- [Pools and Paved Areas](#)
- [Patios, Courtyards and Terraces](#)
- [Commercial Applications and Large Scale Projects](#)
- [Special Needs Access](#)

Product Diagram

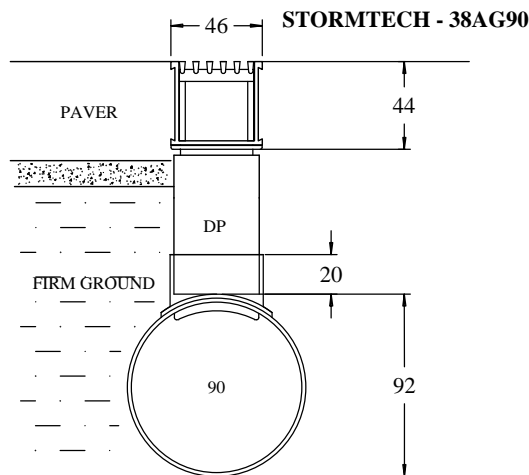


Pages:

1. Slab on ground
2. Suspended Slab
3. Hydraulic Guide

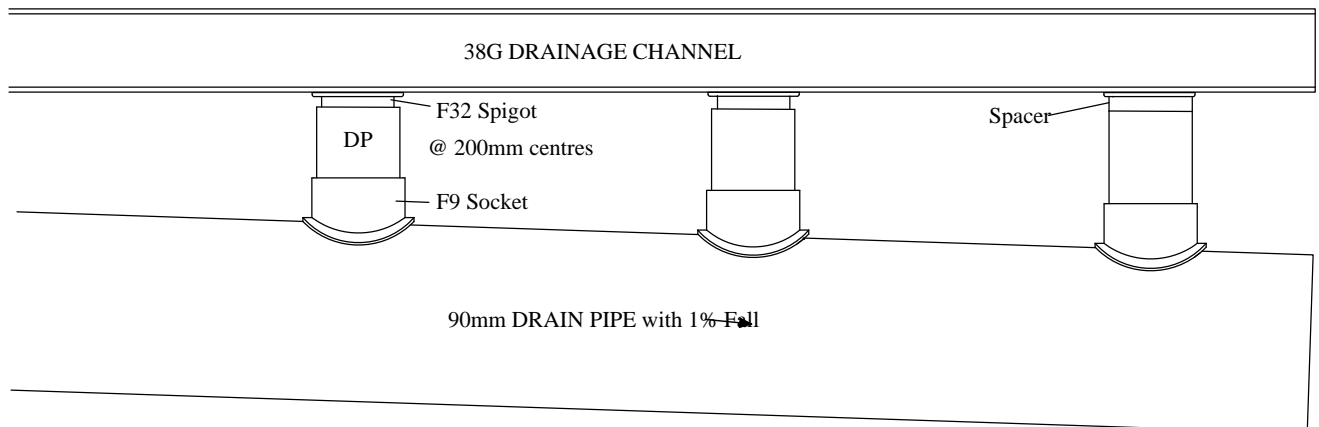
38G90 Special Assembly

Slab on Ground



The Channel and Pavers should be laid on a bed of mortar.

Perforated Grates filter out leaves & debris over 6.35mm...This could reduce the fluid intake...Sand & fine particles that accumulate in the Channel should be eroded by water flowing into the Spigots every 200mm... Drain Pipes with 1 % fall require little or NO MAINTENANCE...however ... PROVIDE ACCESS TO DRAIN PIPES for cleaning. Do not use electric eels.
WHEEL LOAD = concrete/paving strength. SAFE with high heels and fork lift trucks.
DRAINAGE CAPACITY = 2.5 L/s metre.
FULL FLOW of Drain Pipes 90 = 6 L/s.;



Each 3m length of Drain is supplied with one 3m length of 40mm DWV cut the pipe to the length required.
Installation normally starts at outlet with longest DP's.

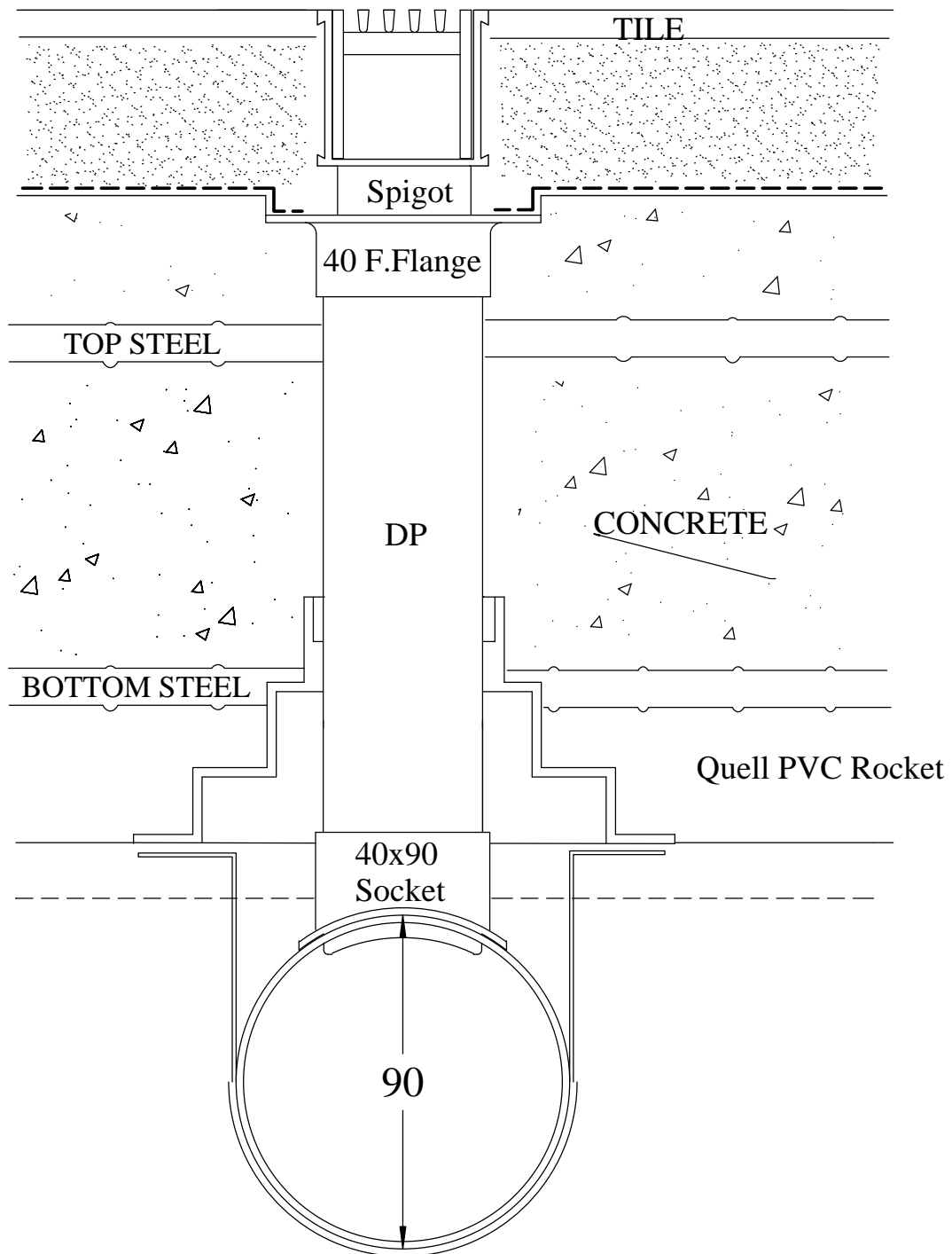
ASSEMBLE 1st. length of Drain ; Glue DP's in pipe Sockets with PVC solvent cement.
Place Spacer over 1st. Spigot and align with DP. Fit Spigots in DP's.

ASSEMBLE remaining lengths of Drain. Cut last Drain to length required.
CUT Channels or drain pipes, so that Channels butt together..Join pipes with standard fittings.
POSITION Drains in trench, install Grates (or timber form).
GLUE Joiners in rebated sides of Channels .(x) Glue Stop Ends in Channel .
ADJUST to string line and secure Channel to DP's with glue every metre. (x).
(x) Do not glue if Channels are to be removed , for safe keeping , until needed in topping.
COVER Grates with tape..Installation MUST BE SECURE or it will move when concreting.
HANDLE WITH CARE. Spigots and Sockets can be broken off..(repair with solvent cement)
SUNLIGHT may cause Drains to bend before they are installed.

38G90 Special Assembly

Suspended Slab

STORMTECH - 38AG90

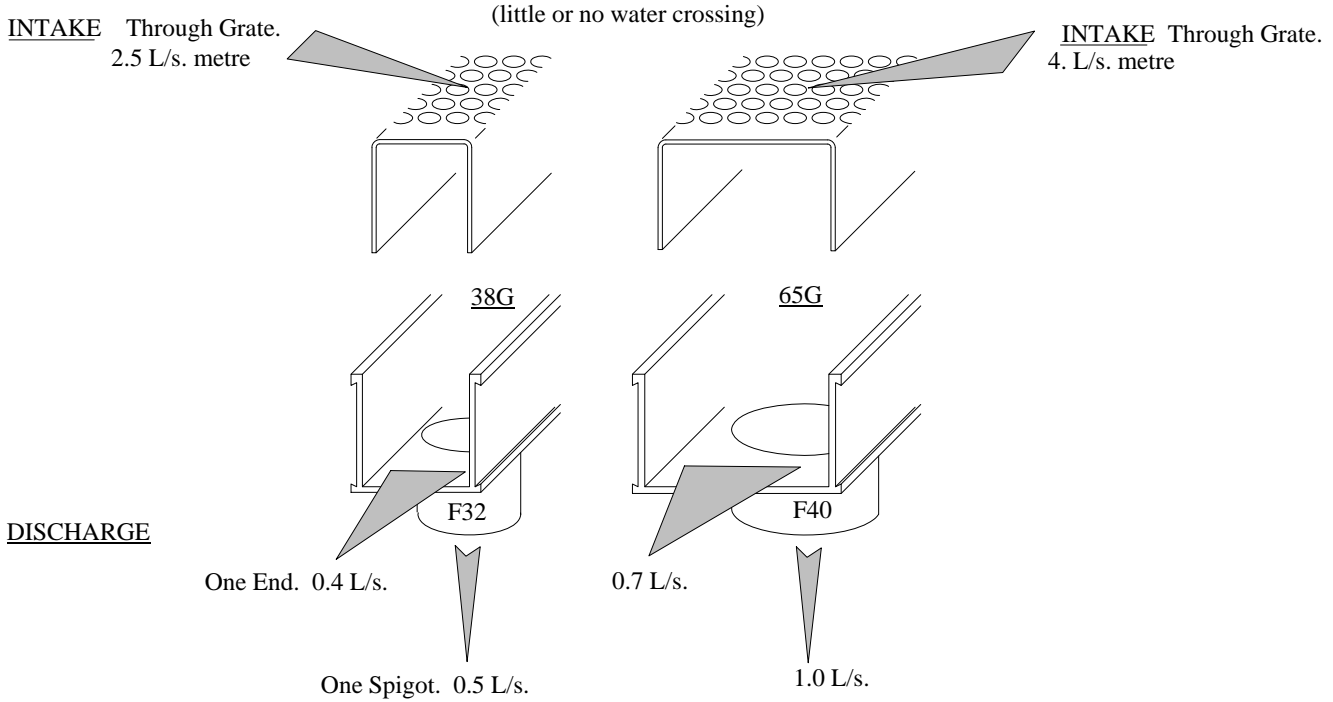


STORMTECH Pty Ltd

Architectural grates & drains

www.stormtech.com.au

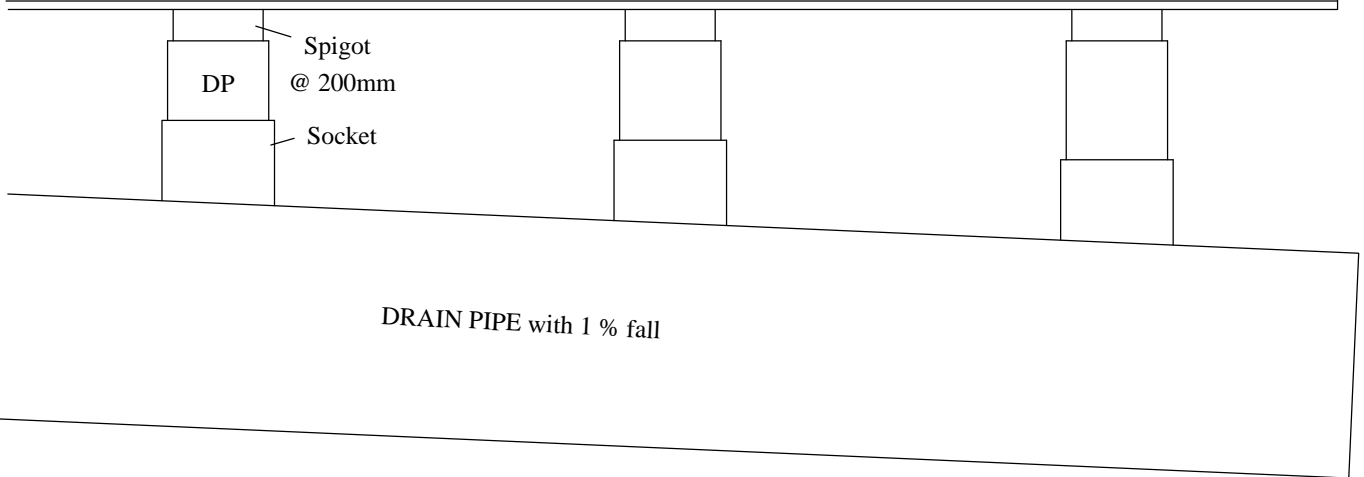
HYDRAULIC GUIDE



Special Assembly

DISCHARGE 5 Spigots. F32 = 2.5 L/s. metre

GUTTER CHANNEL



Drain Pipes (with 1% fall) 40mm = 0.7 L/s. 50 = 1.5 65 = 2.5 90 = 6 100 = 10 150 = 30. L/s. discharge.

AREA / 3600 x RAINFALL = L/s. eg. $\frac{18m^2}{3600}$ x 200mm/hr. = 1 L/s.

Brisbane 20 year = 239mm/hr. 100 year = 312mm/hr. rainfall.
 Sydney " = 212 " " = 277 "
 Melbourne " = 91 " " = 117 "

One Bathroom Tap delivers 0.3 L/s.

NOTE This is only a guide.

Custom Design Product Information

<http://www.stormtech.com.au/custom.html>



Custom

All Stainless Steel Items in Specific Widths and/or Depths

Product Description

For any situation where the standard Stormtech grates and channels cannot be used because of any building restrictions, we provide fully custom made items manufactured to your exact specifications.

Product Applications

[Bathrooms](#)

[Suspended Slabs and Balconies](#)

[Thresholds and Doortracks](#)

[Driveways](#)

[Pools and Paved Areas](#)

[Patios, Courtyards and Terraces](#)

[Commercial Applications and Large Scale Projects](#)

[Special Needs Access](#)

Pages:

1. Grate and tray
2. Grate and frame

STORMTECH Pty Ltd

Architectural grates & drains

www.stormtech.com.au

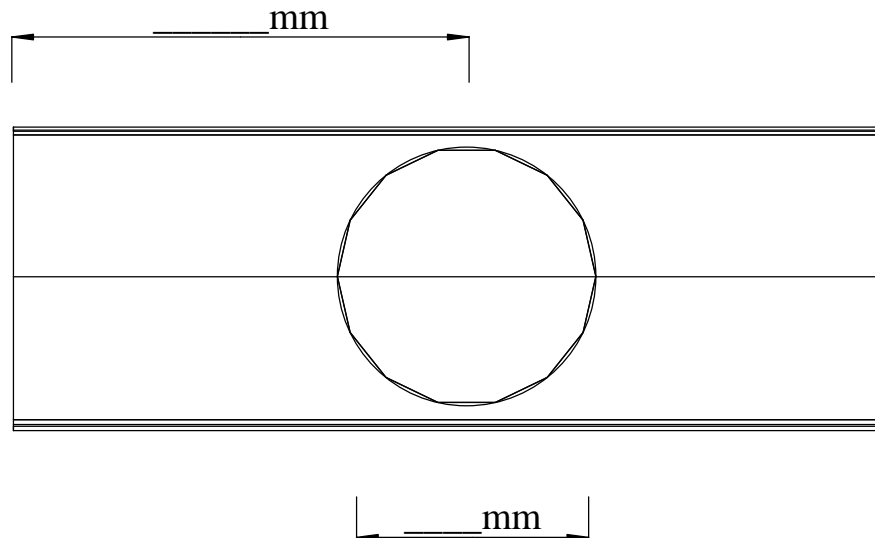
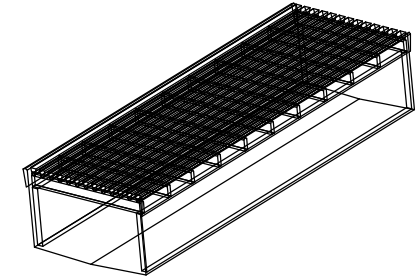
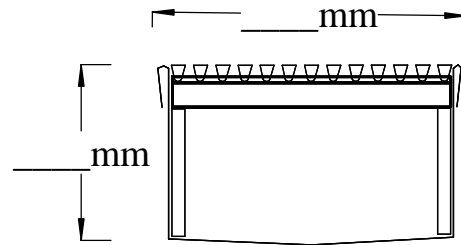
REF

Date

Revision

Date

Custom grate & tray layout



Contact details:

Customer Signature

date

All material 316 grade stainless steel

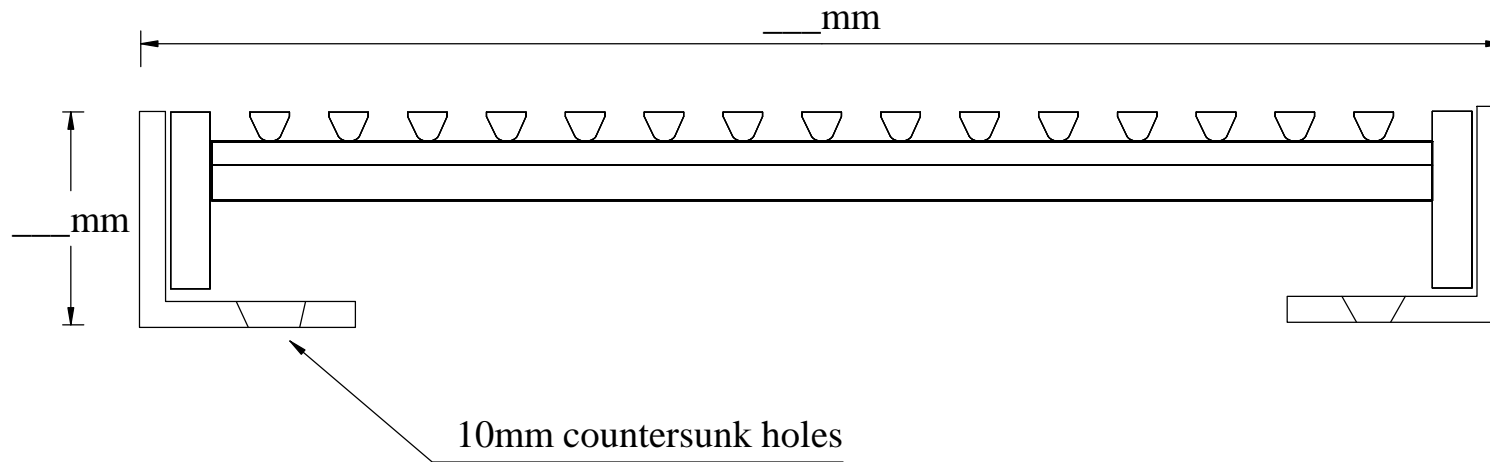
sheet min 1.2mm

3 wire 3 gap

Troy Creighton

Stormtech Pty Ltd 2006, IP remains with author

REF	Date
Revision	Date



Load class A B C D, (please circle)
 All material 316 304 grade stainless steel (please circle)

Contact details:

Customer Signature _____
 _____ date _____

Vinyl Clamp

Product Information

http://www.stormtech.com.au/vinyl_clamp.html



Vinyl Clamp

This innovative product allows using Stormtech Slimline grates in a vinyl floor, as it permits a single plane of fall.

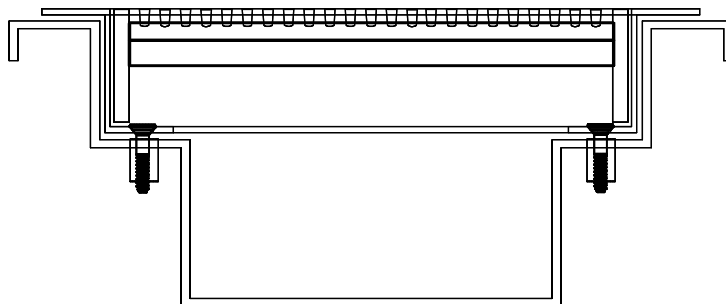
Product Applications

Bathrooms

Thresholds and Doortracks

Commercial Applications and Large Scale Projects

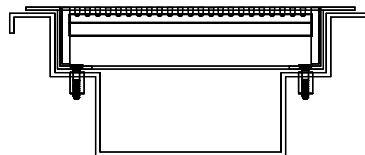
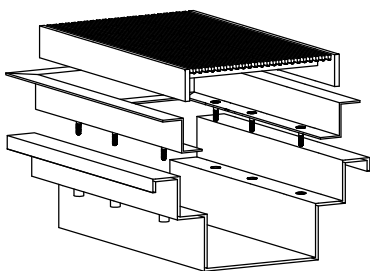
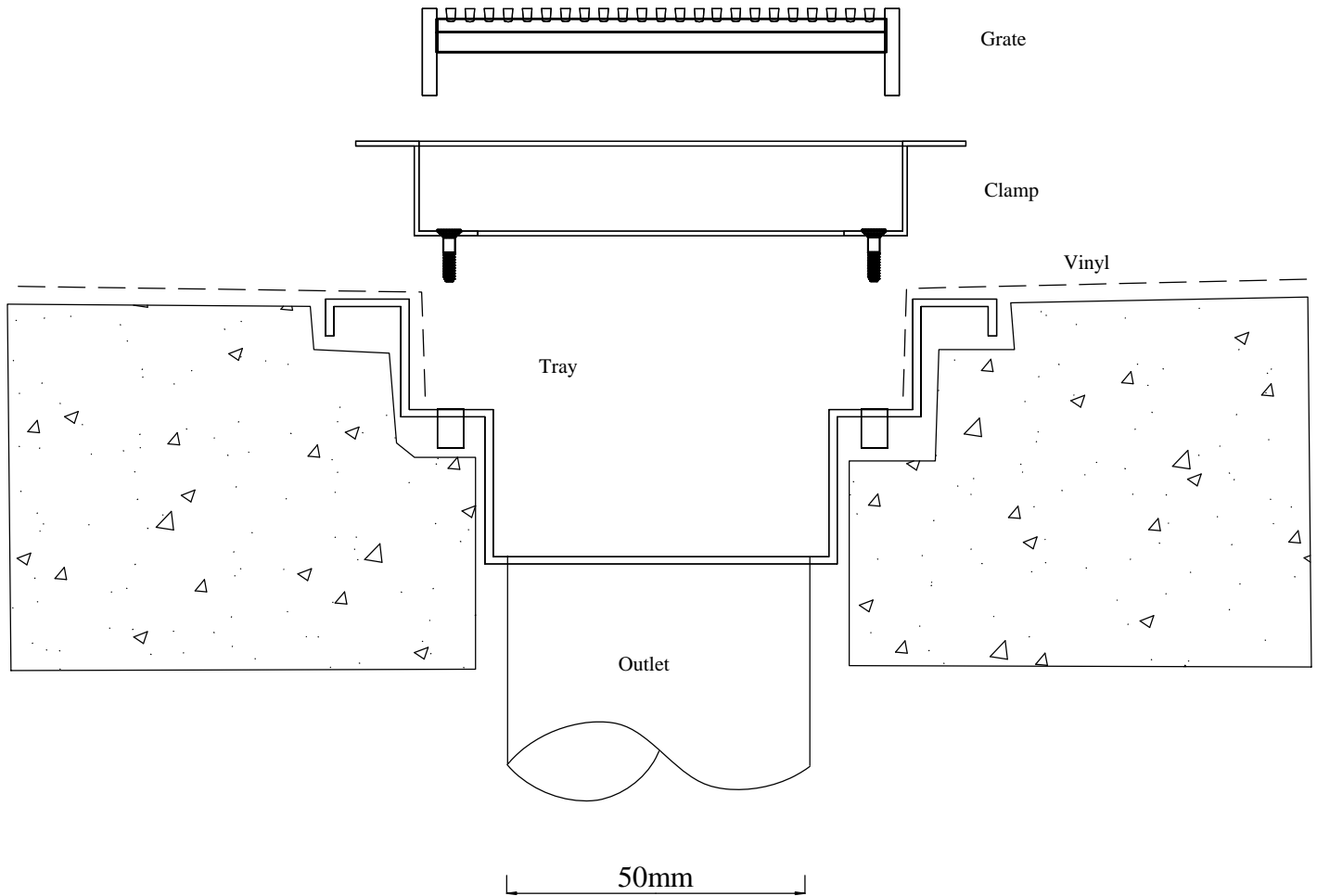
Special Needs Access



Pages:

1. Vinyl Clamp

Vinyl Clamp



Complete

NOTE: Minimum standard height is 45mm overall, depth can vary to allow for fall in channel.

Minimum width for standard outlet is 155mm overall

Standard outlet is to suit 50mm DWV pipe.

Standard material is 316 grade stainless steel.