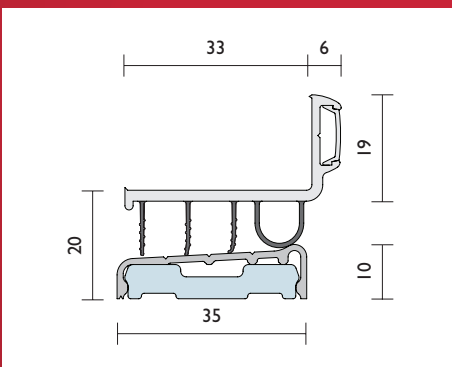
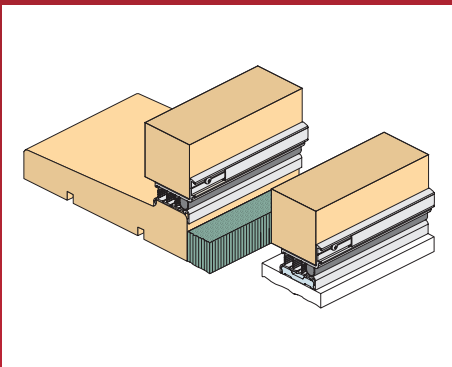


Introducing the latest in door sealing systems

RP123



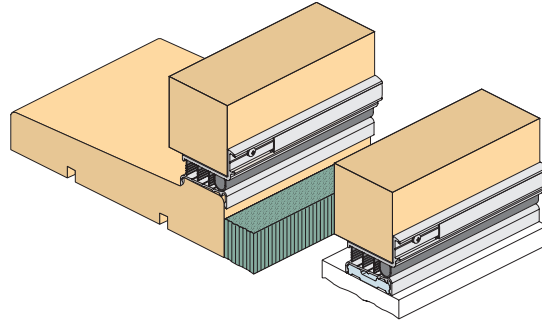
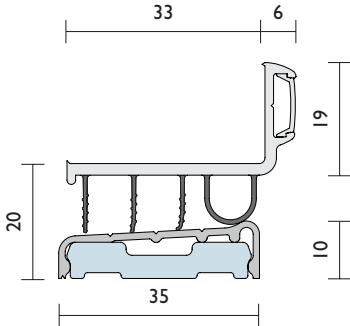
Weather seals, also referred to as energy seals, prevent draught and rainwater infiltration through external doors and windows. Raven produce a variety of door and window seals to suit even the most severe conditions. The thermal efficiency of buildings is of major importance and the installation of Raven seals can reduce energy use by up to 15%.

Additionally, Raven seals will stop the ingress of airborne dust, insects, rodents and windblown embers in bushfire prone areas.

The new RP123 is a co-extruded door bottom weather seal and threshold plate combination. It easily fits to the bottom of a door and is used where maximum weather protection is required.

- » Includes seal and threshold combination
- » Provides the highest level of weather protection
- » Quick and easy to install on to door bottom of single and double butt hinged doors with a rebated or flat sill
- » Concealed fixings (screw or glue fix)
- » Complies with energy codes and regulations
- » Guaranteed for 2 years against defects in materials and workmanship





The RP123 Door Bottom Seal is suitable for various applications including:



Installation Location

Suitable for installation on to door bottom of single and double butt hinged doors with a rebated or flat sill.

Min / Max Gap Sealing

When installed flat will seal 19mm to 20mm gaps.
When installed rebated will seal 12mm to 13mm gaps.

Seal Sizes and Colour Options

Colour	Length
Bronze Anodised	1750mm
Clear Anodised	1750mm
Bronze Anodised	926mm
Clear Anodised	926mm
Bronze Anodised	826mm
Clear Anodised	826mm

Materials and Finishes

Weather seal: Made from light grey UV stabilised rigid PVC body with dark grey UV stabilised flexible PVC seal **or** brown UV stabilised rigid PVC body with black UV stabilised flexible PVC seal.

Threshold plate: Made from 15 microns anodised aluminium and available in a satin clear (silver) or bronze finish.

Fixing and Installation

Seal is supplied with zinc plated, cross recess head ST screws of the appropriate size for fixing. Threshold plate can be fastened using an adhesive for a concealed fix.

Certifications and Approvals

The Raven RP123 has been tested to over 500,000 operating cycles without failure.

Access & Mobility: Complies with NZ: NZ BC Compliance Doc. DI/ASI 1.3.2

Energy: Complies with NCC BCA pt 3.12.3.3 & J3.4 for building sealing and efficiency

Patented and Registered Designs.

For sales and distribution enquires,

Email sales@raven.com.au

Phone (08) 8384 5455

Or visit www.raven.com.au

