



Supported by the nationwide network of Rapid Aluminium, Australia's most reliable producer of aluminium profiles and extrusions, you know you can depend on Jewel Windows for design and service.

Head Office Melbourne
Phone +61 3 9792 0344
Fax + 61 3 9792 4954

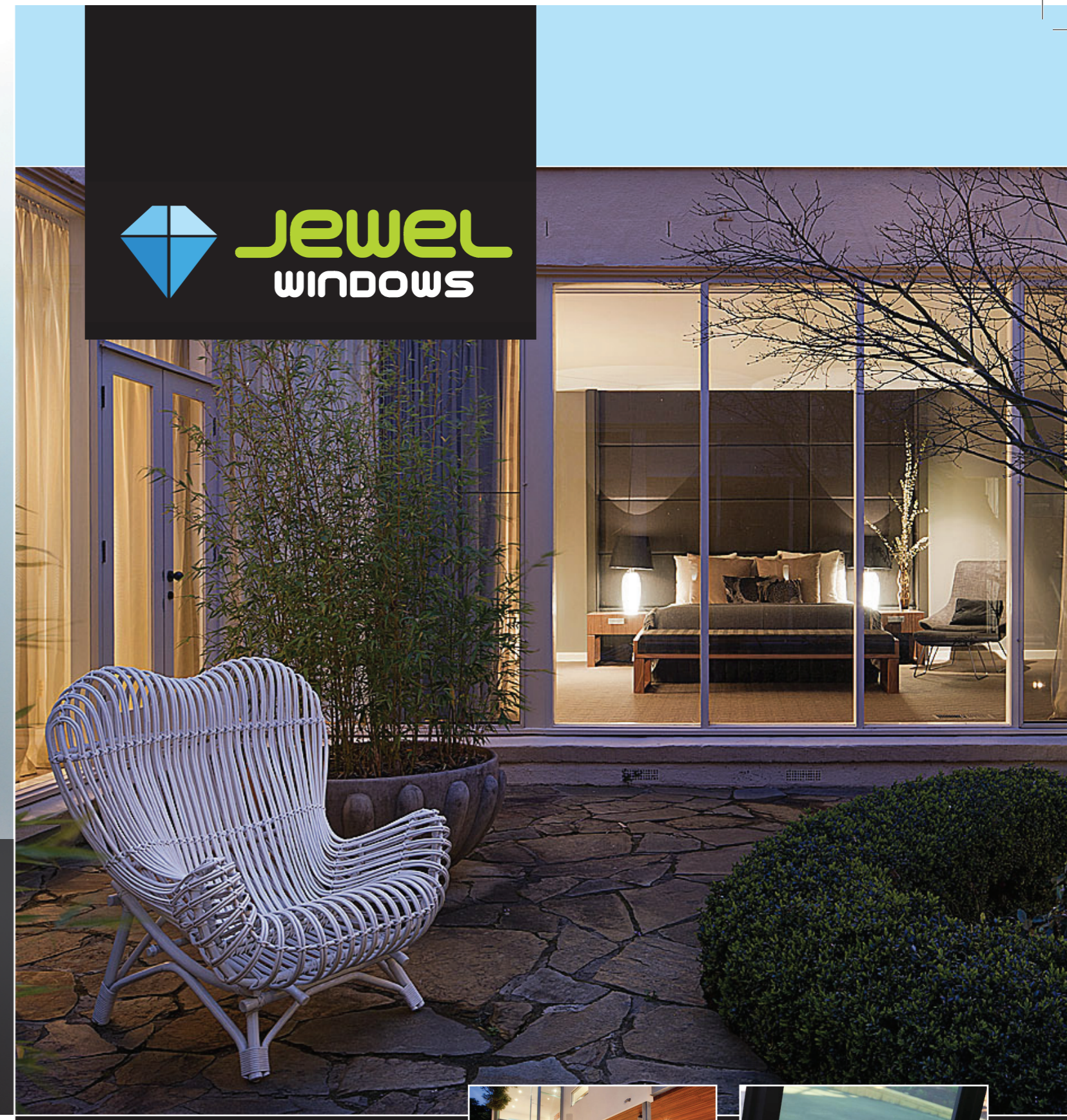
Brisbane Office
Phone: +61 7 3803 4411
Fax: +61 7 3803 4045

Canberra Office
Phone: +61 408 530 284
Fax: +61 2 6232 7834

Albury Office
Phone: +61 2 6023 5044
Fax: +61 2 6023 5099

Adelaide Office
Phone: + 61 8 8326 2654
Fax: +61 8 8326 9347

Tasmania Office
Phone: +61 488 392 580



 **Jewel**
WINDOWS



Conforms with Australian Standards | info@jewelwindows.com.au



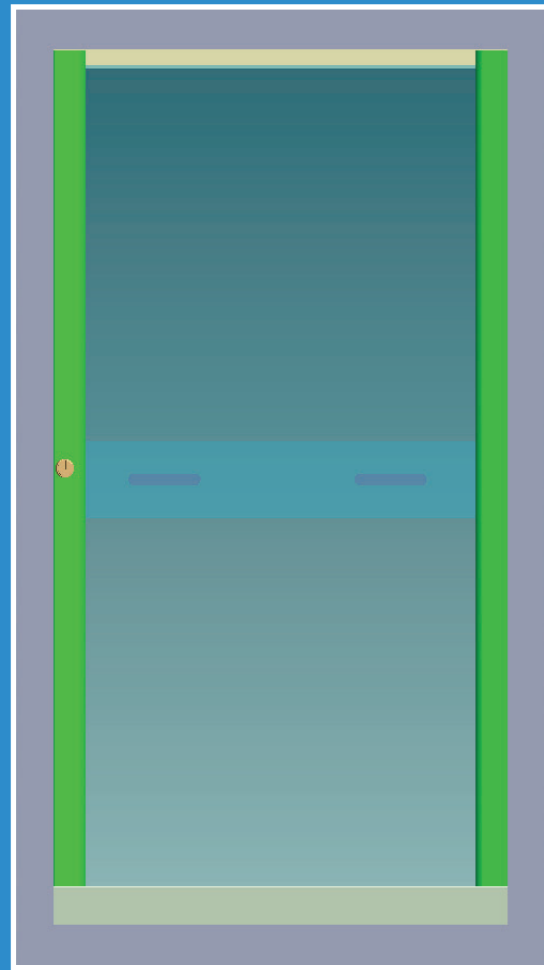
Proudly owned by
rapid
ALUMINIUM



If you have a Smartphone scan this code using your QR code reader to visit our website and see how our windows work.

See our windows in action at
www.jewelwindows.com.au





PEARL

The Pearl design utilises the natural heat stack effect inside a room. When opened warm air escapes at the top drawing fresh air in from below. This effect we call Nature's Fan™.

The Pearl window is the latest evolution of the sashless double hung system. Employing a new 'T' section (yellow part in diagrams below) it addresses the security inadequacies of earlier versions. The sash 'T' conceals the cords, preventing them from being cut, and hides the pulley from view. The simplicity of this system enables any window maker to assemble it quickly and easily doing away with the need for specialist installers.

- Available in a DIY kit, it brings the cost down to that of a similarly sized awning window
- To thermally enhance the window the sash 'T' can be supplied in rigid PVC
- Utilising Kevlar cord and marine grade stainless steel for the pulleys, these moving parts carry a 15 year replacement warranty
- Window tested to 200 Pa water penetration and ultimate strength 2300 Pa enabling installation in up to N4 regions
- Designed, manufactured and powdercoated in Australia



2 pane – available in 6mm, 10mm and double glazed

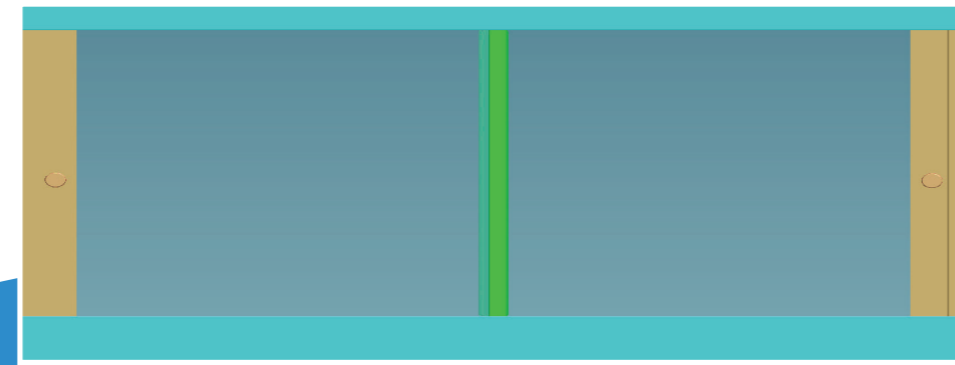


3 pane – available in double glazed only



TOPAZ

- Thermally broken sliding window offering effortless operation and easy maintenance
- Accommodates 22mm double glazed units
- Simple square cut assembly and superior commercial grade rollers
- Keyed alike locks not only operate better but are more aesthetically pleasing
- Significantly superior acoustic and thermal performance
- Designed, manufactured and powdercoated in Australia



2 pane – available in 22mm double glazed



3 pane – available in 22mm double glazed



QUARTZ

- Single glazed sliding window for 6mm and 10mm glass
- Designed for internal and external use
- Thermally enhanced
- Minimal profile preserving maximum views
- Unique lock spigot preserves frame integrity and dramatically reduces air leakage
- Designed, manufactured and powdercoated in Australia

2 pane – available in 6mm and 10mm



3 pane – available in 6mm and 10mm

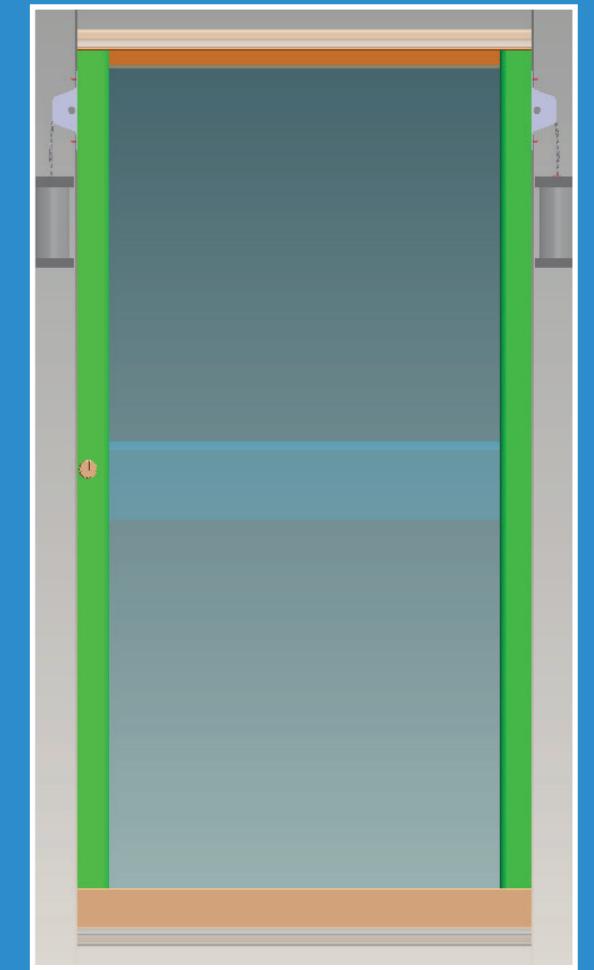


SERVERY

Critical to the longevity of a servery window is the integral design and quality of the operable mechanism.

Jewel's Servery uses commercial grade hardware components designed to give years of trouble free service.

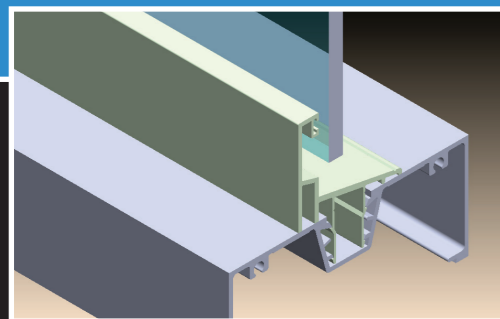
- Smooth counterbalanced system for comfortable operation
- Employing the same new sash 'T' as the Pearl, the internal mechanicals are safe from prying fingers
- By using the optional PVC sash 'T' the window can be thermally enhanced
- Available in a DIY kit it is now a more affordable option
- Designed, manufactured and powdercoated in Australia



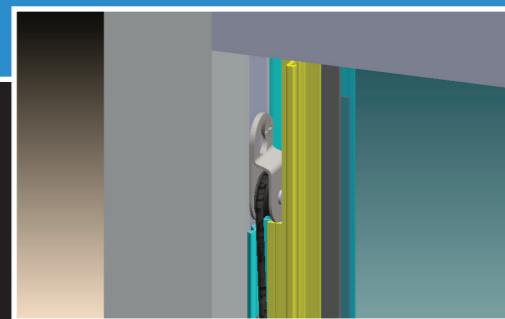
2 pane – available in 6mm, 10mm and IGU application



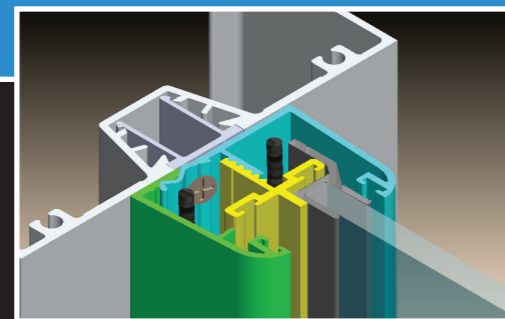
3 pane – available in double glazed only



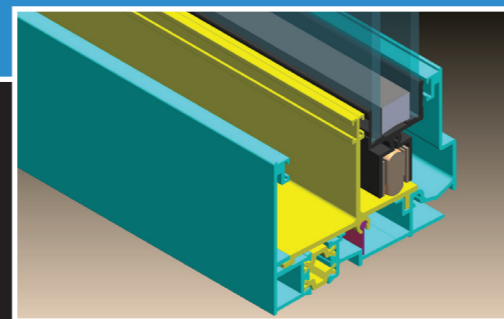
Sill section with clip in legs – can also be easily removed to suit any frame suite



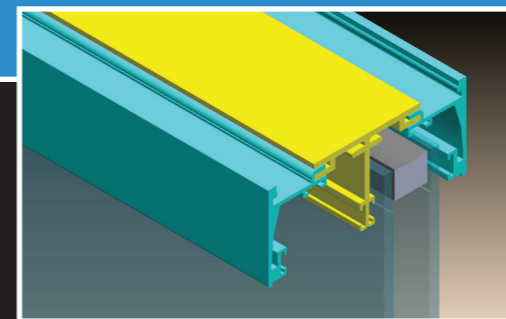
Only 2 moving components – Pulley and Cords



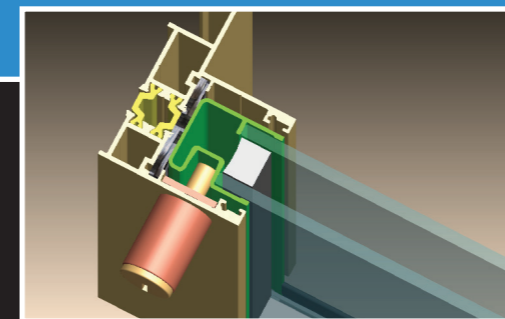
Sash 'T' Section conceals the Pulley and Cord and provides maximum security



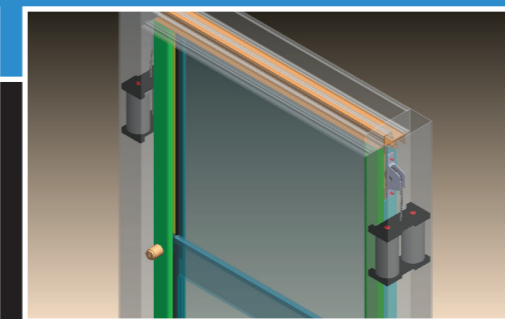
Thermally broken sill section, with PVC bottom rails and commercial grade rollers



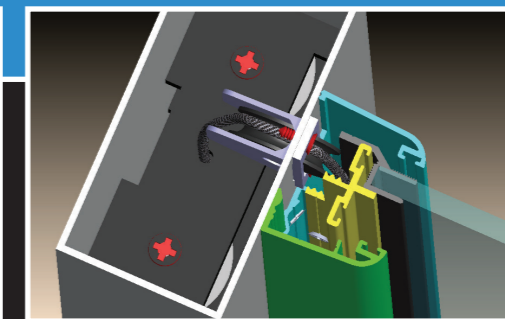
Thermally broken PVC 'T' Head Section



Lock in Jamb – with Thermally broken Jamb Section



View of the mechanics of the Servery window



Box section (100mm x 50mm) and Lead weights



Powdercoated in house using Dulux or Interpon range