



The ERMETIKA Tracked Screen is an innovative vertical closing system for balconies, porches, restaurant forecourts and pergolas. The Ermetika can be wound up and hidden away in summer and provide warmth and rain protection in winter.

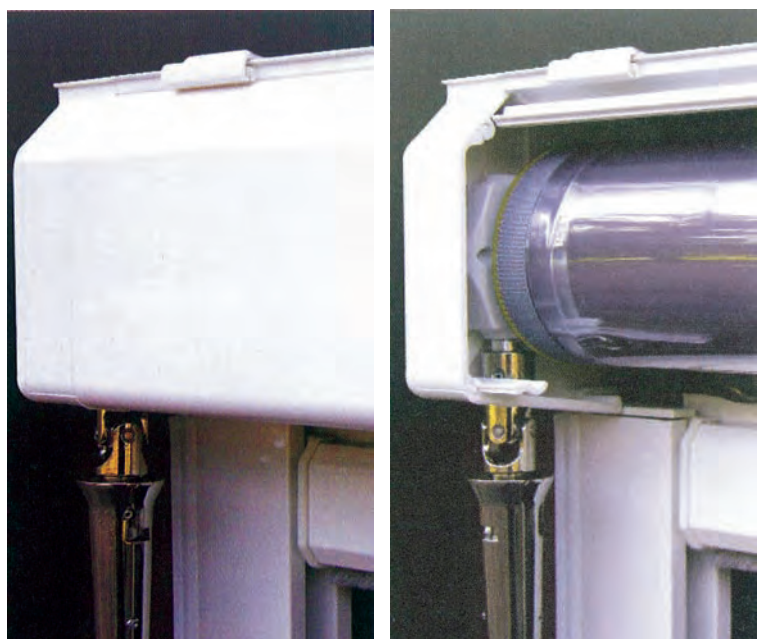
**Now you can enjoy
the great outdoors
all year round!**

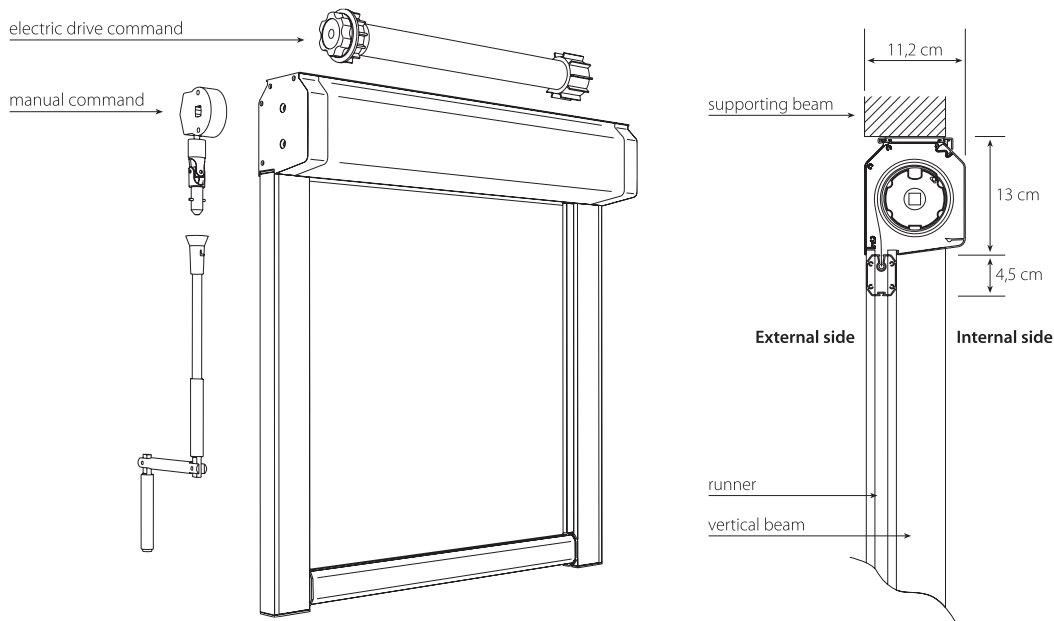
Why is the ERMETIKA Tracked Screen so unique?

**Outside it is rainy and
windy, but inside its
nice and cosy.**

The powdercoated aluminium guides and headbox, and the clear PVC guarantee protection against the wind and rain.

You can easily and inexpensively provide a comfortable and protected additional room to your house, patio, porch or pergola whilst you stay warm and protected against wind and rain.





For restaurant owners you can provide additional seating and cost effectively increase the size of your restaurant and the number of patrons dining by installing the ERMETIKA Tracked Screen

For hoteliers and licensees you can easily abide by the NSW Governments new Anti Smoking Ban by providing a comfortable outside room for patrons.

Framed in powder coated aluminium. Manual operation by gearbox and removable handle or motorised operation with switch or remote control.

For more information contact Aalta Screen Systems.

**THE CLEAR PVC WALL
THAT CANNOT BE
SEEN.....**

**.....BUT YOU CAN
FEEL THE DIFFERENCE**

ERMETIKA TYPE A

MAXIMUM DIMENSIONS
IN CLEAR PVC
2500mm WIDTH x 3500mm DROP



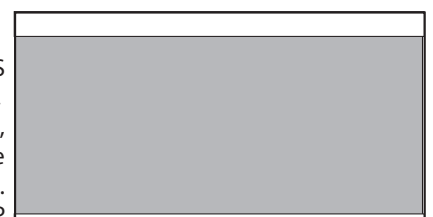
ERMETIKA TYPE B

MAXIMUM DIMENSIONS
IN CLEAR PVC with
PVC REINFORCED PANELS
3500mm WIDTH x 3500mm DROP



ERMETIKA TYPE C

MAXIMUM DIMENSIONS
IN SOLIS, FLYSCREEN MESH,
ACRYLIC,
Consult Sales Representative
for other fabrics.
3500mm WIDTH x 3500mm DROP



Designed for inclement weather



MILLENIUM
Brushed Clear anodized aluminium frame conceals and supports the runners. Clean lines and contemporary design.



IMPACT

The essential motion control and runner system that maneuvers the retractable cloth. It can be integrated into existing or custom framework and is used in all systems.



COVERPACT

The impact runner alone is used as the support frame. An articulated knee joint enables it to be a self supporting model.



PERGOTENDA

Laminated timber frame conceals and supports the runners with stainless steel brackets to strengthen critical joints.

Features:

- The only retractable system designed from the ground up to resist the rain for the ultimate outdoor protection.
- A versatile solution offering great protection for all weather conditions.
- The PVC fabric is durable and waterproof.
- Designed with long lasting awning components to ensure the longest possible life with a minimum of maintenance.
- Designed to withstand strong winds (> class 3 -UNI EN 13561) up to force 8 on the Beaufort scale, (34-40 knots, 39-46 mph, 62-74 kph, 17.2-20.7 m/s) .
“When the winds breaks small branches and its difficult to walk outdoors”
- Gutters can be installed to collect rain water and channel it down a drain pipe.
- This product, in all its configurations, can cover large areas in a practical, elegant manner.
- An cover protects the fabric when retracted.
- Can be installed flat or tilted.
- Aluminium runner tracks with a strong transmission system provides smooth controller motion of the cloth backwards and forwards.
- Switch or remote motorised operation.

Never worry about the season again



	RUNNERS	TILTED		FLAT	
		MAX WIDTH	MAX EXTENSION	MAX WIDTH	MAX EXTENSION
IMPACT	2	4500	8000	3500	8000
	3	9000	8000	7000	8000
	4	13000	8000	10500	8000
COVERPACT	2	4500	4500-5500	3500	5000
	3	8000	3900-5500	7000	3500-5000
	4	12000	3900-5500	9500	4000-5000
PERGOTENDA 45	2	4500	5900	3500	6000
	3	9000	5900	7000	6000
	4	13000	5900	10500	6000
PERGOTENDA 65	2	4500	7800	3500	8000
	3	9000	7800	7000	8000
	4	13000	7800	10500	8000
MILLENIUM	2	4500	5900	3500	6000
	3	9000	5900	7000	6000
	4	13000	5900	10500	6000

Maximum widths and extensions



Never worry about the season again