



PHANTOM™
S C R E E N S



Open Up Your Living Space



www.phantomscreens.com.au

Phantom Door Screens



Each Phantom Screen is custom-made to fit your home and installed by an experienced professional. Phantom Screens are offered in a large range of designer colours to coordinate with the individual decor of your home. They hold their stylish appearance because they are fashioned from the highest quality extruded aluminium, with marine grade powdercoat finishes.

Phantom Screens are as strong and durable as they are attractive. A unique spring-tension system allows the ultra-sheer mesh to absorb impact without sagging or tearing. For additional peace of mind we offer a limited lifetime warranty.

The classic elegance of double French and bi-fold doors is uncompromised by twin Phantom Screens, mounted on each side of the frame. When you want the doors open and the screens in use, they're drawn to the centre and held in place by magnetic strips. When not in use the Phantom Screens simply retract leaving only your French doors - "Magnifique!"

Applications

Phantom Screens are at home in any setting. Their innovative design and tasteful styling fit into any room you choose - kitchen, front entry, living room, study or bathroom. They are a perfect blend of form and function.

- Double French doors
- Bi-Fold doors
- In-Swing or Out-Swing doors
- Stacker doors
- Single doors
- Sliding doors

Features

- Innovative retractable design
- Attractive styling and extensive colour range
- Versatility to fit most applications
- Professional service and installation
- Industry leading quality

Sizes

	Single Screen	Double Screen
Height	0.4m to 3m	
Width	Up to 2.25m	Up to 4.5m

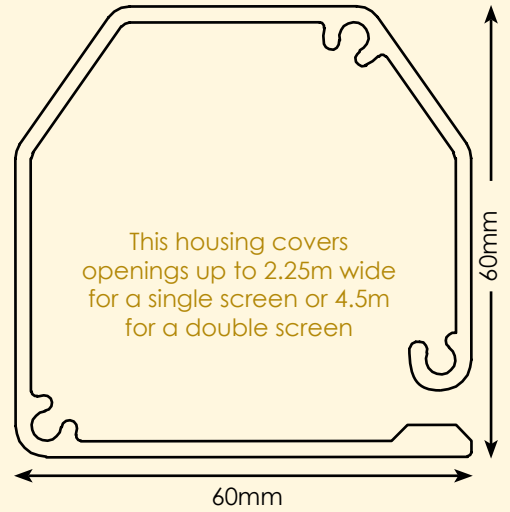
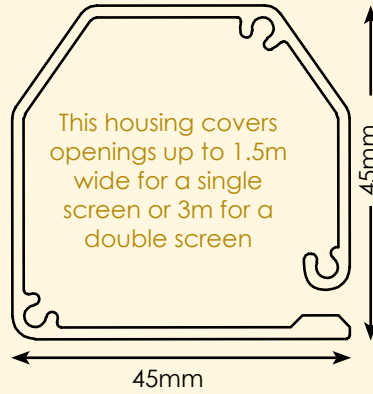
Note: Maximum sizes vary based on mesh type





Housings

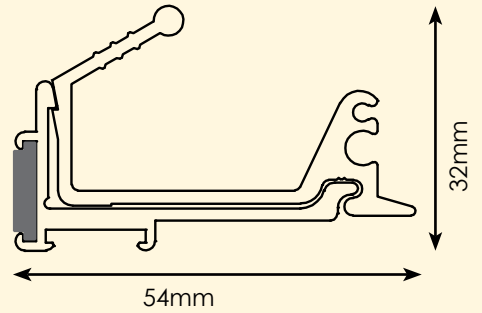
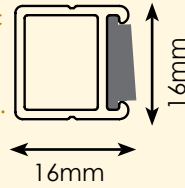
(1:1 Scale)



Magnetic Profile & Handle

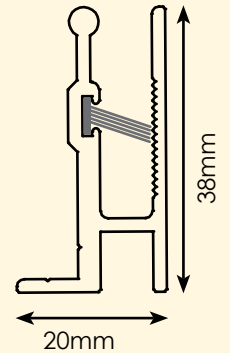
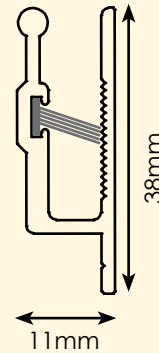
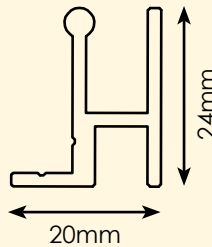
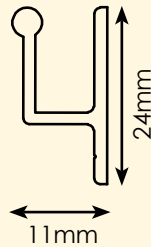
(1:1 Scale)

The Magnetic Profile is only required on single screens.



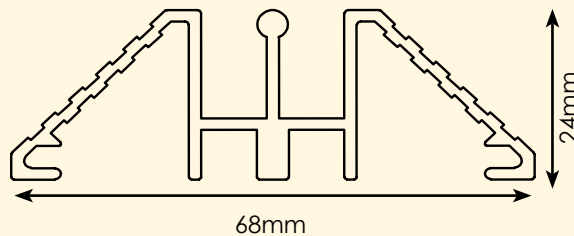
Tracking Options

(1:1 Scale)



Standard tracking for single screens up to 1.5m wide or 3m for a double screen

Mesh retention tracking for single screens over 1.5m wide or over 3m for a double screen



This track can be installed on a flush floor without creating a tripping hazard

Executive Motorised Screens



Phantom, the leading provider of retractable screens, is proud to present a motorised answer to screening and shading solutions in one incredibly adaptable product - the Executive Screen.

So versatile, it fits most standard and oversized applications. So practical, it can supply complete ventilation, shade from the sun, protection from pests, and enhanced privacy. Executive Screens' patented fixed running systems guarantees an insect free enclosure when in use.

Executive Screens' sleek and stylish design of wireless remotes provides simple one-touch operation for single, multiple or group screen control. It is a complete line of screening and shading solutions all rolled up in one incredibly adaptable product!

Features and Benefits

- Operated by remote control at the touch of a button with the use of Simu Hz motors
- Options for wind and sun sensors as well as integration with home automation systems
- Extruded aluminium sections which are chromate treated to withstand seaside conditions
- Fully sealed when in use and retracts out of sight when not needed
- Large range of screen options such as insect mesh for insect protection and ventilation
- Solar and Privacy screen options for up to 100% sun and UV ray protection
- Clear PVC for total weather protection without obstructing your view
- Sturdy construction for years of trouble-free operation
- Professional service and custom installation
- Limited lifetime warranty for additional peace of mind



Applications

From balconies, porches and verandas, to garage doors, picture windows, Roman archways and beyond, the Executive Screen is the perfect addition to any custom renovation project or new home design.

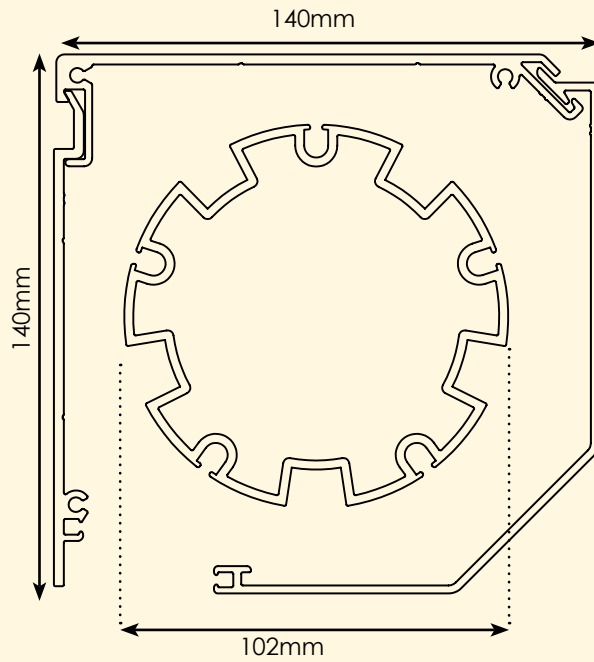
Sizes

	140mm Housing	180mm Housing
Width	1.0m to 6.0m	6.0m to 8.0m
Height	0.7m to 3.3m	0.7m to 5.0m

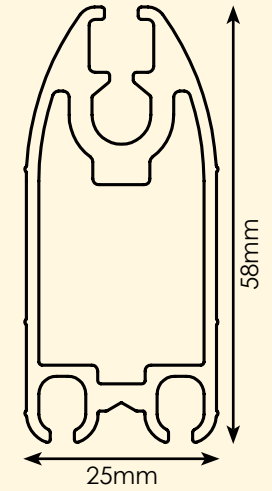
Note: Maximum sizes vary based on mesh type



Housing & Roller
(1:2 Scale)

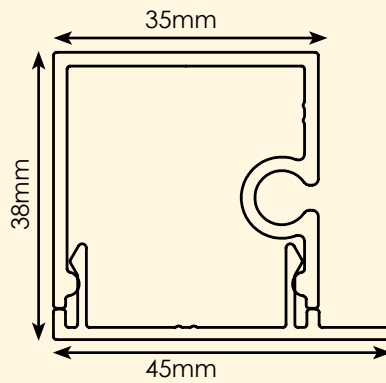


Slide Bar
(1:1 Scale)



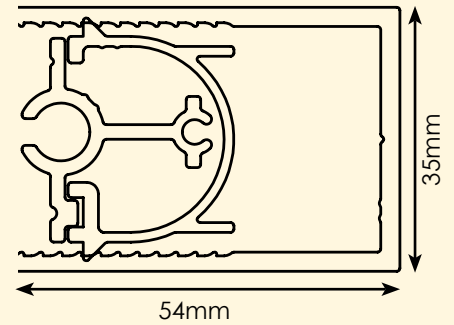
For openings over 6.0 metres wide or 3.3 metres high a 180mm housing and 127mm roller are required. When recessed into an overhead cavity only the roller and mounting brackets are required.

Standard Track
(1:1 Scale)



The standard track is for face fit and reveal installations

Recessed Track
(1:1 Scale)



This track is designed to be recessed into wall cavities or columns

Remote Controls & Sun/Wind Sensor



Serene Window Screens



Phantom Screens are proud to introduce the latest addition to our product range, the Serene window screen. Specifically designed for windows, the Serene is a pull down retractable screen with built-in catches inside the bottom of the tracks, thus eliminating the need for a magnetic profile or magnets to hold the slide bar down when in use. When not needed the Serene screen disappears out of site so you can enjoy uninterrupted views through your windows.

From its contoured two piece housing to its ergonomically designed handle with brush seal, the subtle and sleek Serene screen is built to ensure smooth operation and superb style. With Phantom's mesh retention system the Serene screen stays in place, even in breezy conditions.

Offering solar shading, enhanced privacy and protection from insects while maintaining views, the Serene screen can be integrated into existing structures and new construction projects. Depending on your window style, Serene screens can be mounted on the interior or exterior of the building, are custom-made to suit your every need and installed by factory trained professionals.

Features and Benefits

- Innovative design that retracts out of sight when not in use
- Fastens securely with the built in latch system
- Holds in place during light breezy conditions by its mesh retention system
- Provides full ventilation and protection from both insects and UV rays
- Allows for interior or exterior mount and recessed installation options
- Blends with window frames and existing décor

Applications

- In-swing and Out-swing windows
- Casement and Awning windows
- Single-hung and Double-hung windows
- Sliding windows and Serveries
- Double-French & Bi-Fold windows

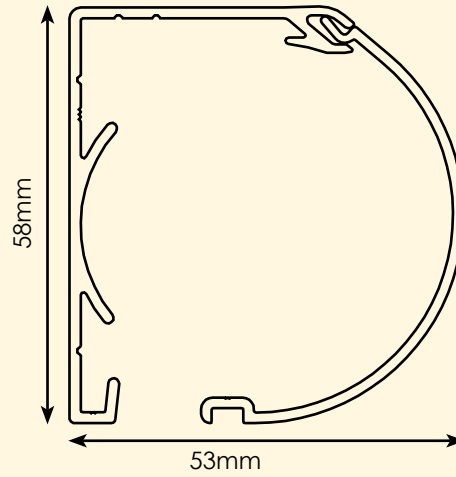
Sizes



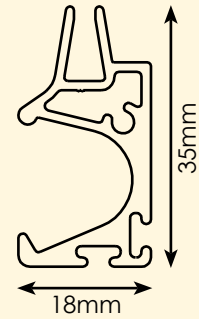
	1814 Insect Mesh	2030 Insect Mesh	Shearweave 2360	White Light Blockout
Width	0.35m to 2.5m	0.35m to 2.5m	0.35m to 2.5m	0.35m to 2.5m
Height	Up to 2.15m	Up to 2.0m	Up to 1.85m	Up to 2.0m



Housing
 (1:1 Scale)



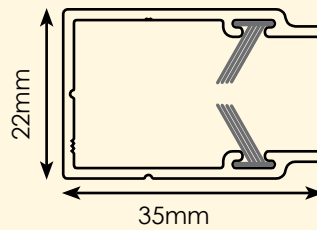
Slide Bar
 (1:1 Scale)



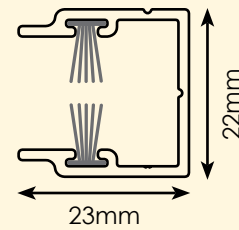
The slide bar is filled with a brush pile at the bottom or back to provide a complete seal



Standard Track
 (1:1 Scale)



Small Track
 (1:1 Scale)



The Standard Track is designed for maximum mesh retention in most applications whilst the Small Track has been introduced for internal shading where wind is not a factor



Mesh Options



Insect / Solar Mesh



18x14 Insect

Phantom, Executive, Serene
Openness: 58%
UV/Sun: up to 40% Blockage
Colours: Charcoal, Grey
Ideal combination of ventilation and insect protection.



30x20 Insect

Phantom, Executive, Serene
Openness: 32%
UV/Sun: up to 65% Blockage
Colours: Charcoal, Grey
An excellent combination of insect & UV protection.



Petscreen Lite

Executive Only
Openness: 45%
UV/Sun: up to 55% Blockage
Colours: Charcoal
A heavy-duty, pet resistant insect screen that is stronger than regular insect screening.



Sunbloc 80

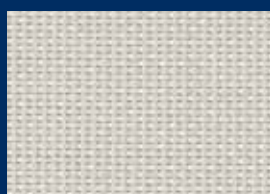
Executive Only
Openness: 25%
UV/Sun: up to 80% Blockage
Colours: Charcoal, Grey, Stucco
Pet resistant, extremely durable, excellent outward visibility, good ventilation and UV protection.

Privacy Mesh



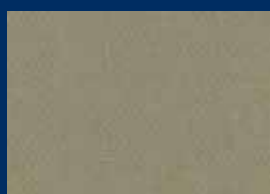
E-Screen 7510

Executive Only
Openness: 10%
UV/Sun: up to 90% Blockage
Colours: Charcoal, Charcoal/Grey, Charcoal/Bronze
Offers substantial shading and light filtering, effectively reduces solar heat gain and wide color section coordinates well with interior fabrics.



Sheerweave 2360

Phantom, Executive, Serene
Openness: 10%
UV/Sun: up to 90% Blockage
Colours: Charcoal, Charcoal/Grey, Charcoal/Chestnut, Pearl Grey, Beige, Beige/Pearl Grey, Oyster, Oyster/Pearl Grey, Oyster/Beige
Offers same benefits as the E-Screen 7510



Mainstreet

Executive Only
Openness: 0%
UV/Sun: up to 100% Blockage
Colours: Charcoal, Grey, Dark Linen
Complete block out material, offers complete shading, ideal for home theatre rooms.



White Light

Serene Only
Openness: 0%
UV/Sun: up to 100% Blockage
Colours: White, White Birch, Orchid, Barley, Alabaster, Brushwood, Pebble, Chocolate, Stainless Metallic, Charcoal
Complete block out material with reflective coating for high solar energy performance

Other mesh types including Clear and Tinted PVC available in the Executive Screen

All Phantom products are available in the Dulux powder coat range and are powder coated in house by Executive Powder Coaters.

Anodising also available.

Discover how Phantom Screens can bring greater comfort and beauty to your home. For your nearest authorised dealer please visit our website or call

1800 630 050

Seeing is
Believing

www.phantomscreens.com.au