

## The ORIGINAL BLOCKOUT®

Our standard roller shutter



The Original Blockout Roller Shutter is our standard external shutter. Designed with quality insulation properties, it is ideal for homeowners who require a reduction in heat or cold, noise and light.

The shutters' interlocking slats and optional dual locking system provide added security and will lock the shutter if required, while still admitting filtered light and ventilation. This is a feature not available on other shutter brands.



The profile is manufactured from **41mm roll formed** aluminium. It has a polyurethane foam core and a standard 53mm track.

### TECHNICAL INFORMATION

Maximum width - 3 metres  
Track sizes - 53mm  
Colour range - 13 standard colours\*  
Profile - Perforated and non-perforated.

\*Subject to availability

## ROLL FORMED MAXIBLOCK®

More strength than the standard



Roll Formed Maxiblock® Roller Shutter is a stronger version of the Original Blockout Roller Shutter and is our most popular shutter.

Maxiblock® Shutters are primarily installed on homes where security is a major deciding factor. The 70mm deep tracks compared to 53mm give better support. The walls are thicker and stronger (5mm and 3mm compared to 1.2mm). The unique feature of the Maxiblock® track is the built-in internal locking chamber which secures the shutter slats inside the tracks, making it 3 times stronger than the standard shutter (380 kgs pulling force compared to 120 kgs).



Manufactured from **41mm roll formed** aluminium with a polyurethane foam core and a heavy duty Maxiblock® 70mm track with built-in internal locking chamber.

### TECHNICAL INFORMATION

Maximum width - 3.5 metres  
Track sizes - 70mm  
Colour range - 13 standard colours\*  
Profile - Perforated and non-perforated.

\*Subject to availability

## EXTRUDED MAXIBLOCK®

The strongest Blockout shutter



The Extruded Blockout Maxiblock® Roller Shutter provides the best security and protection in our range. Our exclusive Maxiblock® security system includes a heavy duty track and special bottom bar along with the stronger extruded slats and Maxiblock's unique side locking chambers. These chambers secure the shutter slats inside the track, making it almost impossible to pull the slats out of position (up to 1500 kgs pulling force).

The extruded shutter profile comes in either non-perforated or with aligned perforations and custom colours are also available on request.



Blockout's Extruded Maxiblock® is made from a **40mm double wall** extruded aluminium profile with a wall thickness of 1.2mm.

### TECHNICAL INFORMATION

Maximum width - 5 metres  
Track sizes - 70mm  
Colour range - Standard and customised colours available  
Profile - Perforated and non-perforated.

## MAXIVIEW® STANDARD

Perforated option will maintain your views



Blockout's Maxiview Standard perforated option achieves external visibility through 54,000 perforations per square metre in the shutter profile. The perforations are only 19% of the overall shutter profile (curtain), therefore glare, heat gain and heat loss are still reduced.

All Maxiview Shutters have a tighter rolling action than conventional shutters, therefore retracting into a smaller pelmet (or headbox).

The perforated version will also maintain daytime privacy while admitting filtered light and ventilation.



Maxiview® Standard Shutter is manufactured with a **45mm single wall** extruded aluminium interlocking profile.

### TECHNICAL INFORMATION

Maximum width - 5 metres  
Track sizes - 63mm  
Colour range - Standard and customised colours available  
Profile - Perforated and non-perforated.

## MAXIVIEW® MAXIBLOCK®

Maintain your views with security



The Maxiview® Maxiblock® Shutter includes our exclusive Maxiblock® security system: a **heavy-duty track and bottom bar security system with a locked in profile**. This shutter is three times stronger and provides better security and storm protection than the Maxiview® Standard Shutter and maintains views through the perforated profile/curtain.

Maxiview® Shutters are designed to reduce glare by up to 81%, reduce heat gain in summer and prevent heat loss in winter by up to 70%, while maintaining natural light penetration and location views.



The Maxiview® Maxiblock® Shutter is manufactured from a **45mm single wall** extruded aluminium interlocking profile.

### TECHNICAL INFORMATION

Maximum width - 5 metres  
Track sizes - 70mm  
Colour range - Standard and customised colours available  
Profile - Perforated and non-perforated.

## MAXIVIEW® ROOF

Protect your glass roof



Maxiview® Roof Shutters can be fitted to flat, curved or sloping glass roofs and can also operate uphill.

Other installations include skylights and conservatories. The perforated shutter profile option allows more natural light to enter buildings and maintain views.

The shutter will reduce excessive heat gain during summer and prevent heat loss during winter. During storms the shutter will also protect against glass breakage caused from flying debris and hailstones.

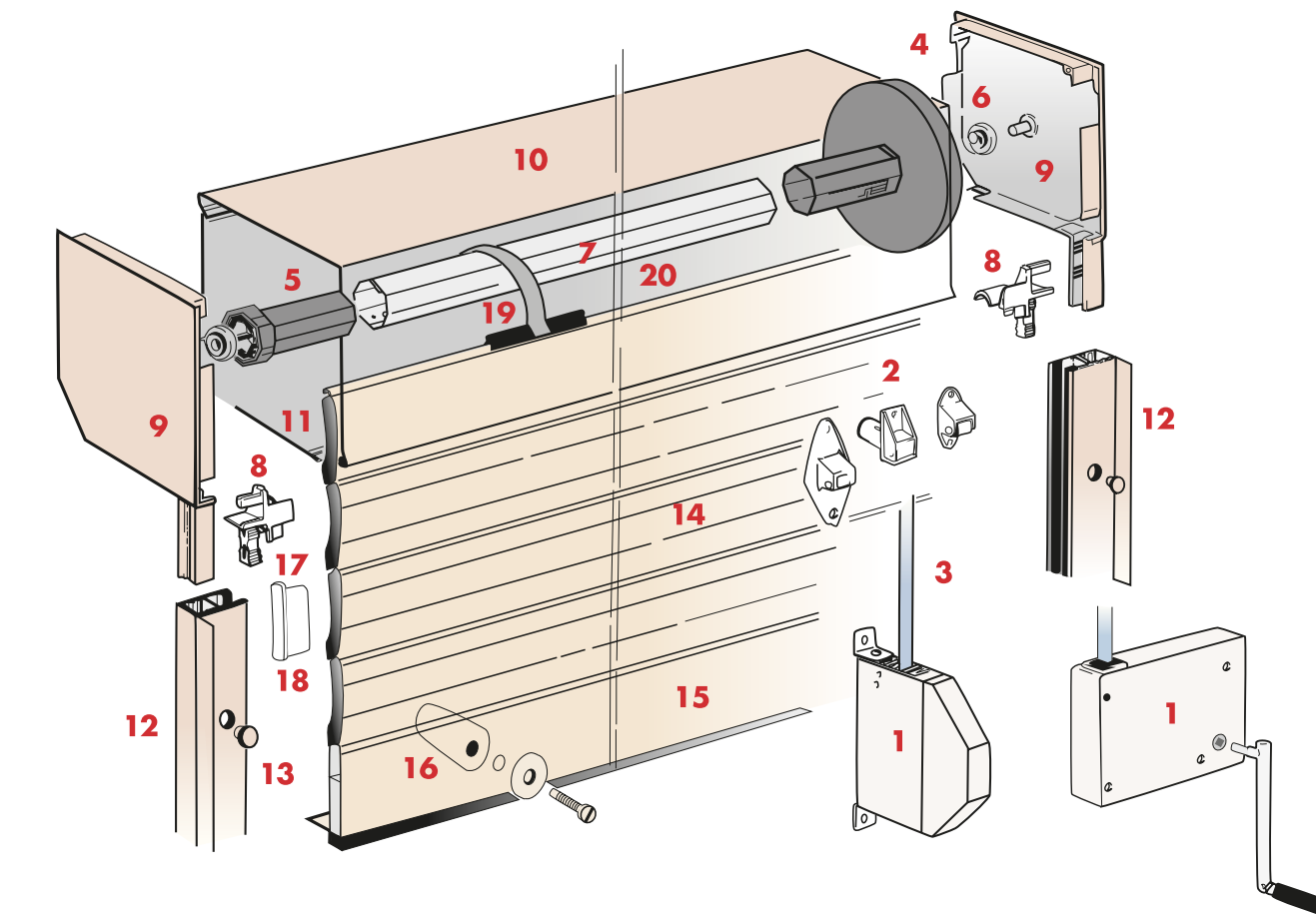


Maxiview® Roof Shutters are manufactured with a **45mm single wall** extruded aluminium interlocking profile.

### TECHNICAL INFORMATION

Maximum width - 5 metres  
Track sizes - 63mm standard  
Colour range - Standard and customised colours available  
Profile - Perforated and non-perforated.

## BLOCKOUT SHUTTER COMPONENTS



All components have been individually selected because they are the best of their type. They are made from high quality materials sourced from local and overseas manufacturers.

### 1 Controls - manual or electrically operated shutters.

A choice of various manual controls or motor types and an extensive range of electronic options for both in-wall and on-wall operations. Suitable for existing buildings or those under construction. The available options are designed to match the size and weight of the chosen shutter for operational ease.

### 2 Tape and Cord guides - choice of guides for different fitting applications.

3 Tape - manufactured especially for the Australian market with double the breaking strain of a conventional tape. The Blockout tape is made from a high tenacity polyester filament webbing that is UV stabilised to suit the Australian climate.

### 4 Pulleys - a range of pulleys are available to suit any control operation and pelmet size.

### 5 Axle Caps - adjustable axle/bearing support ensuring easy access for both fitting and maintenance. Manufactured from high quality injection moulded PVC or cast aluminium.

### 6 Bearings - stainless steel bearings provide trouble free shutter operation. Sizes 28mm and 42mm.

### 7 Axles - Blockout only use galvanised round or octagonal steel axles to ensure greater reliability and rigidity. 40, 50, 60 and 70mm are available.

### 8 Guide terminals - a nylon moulded insert guarantees a smooth feed for the profile between the pelmet and tracks. Available in three styles.

### 9 Side frames - made from high quality pressure moulded aluminium to maintain pelmet rigidity.

### 10 & 11 Pelmet - manufactured from roll formed aluminium with stove enamel finish fitted into wall cavity or onto exterior wall. The two part construction provides a service access panel for easy maintenance and fitting. Blockout has the greatest range of pelmet sizes - 100, 137, 150, 165, 180, 205, 230, 250 and 300mm.

### 12 Track - manufactured from extruded aluminium alloy.

Tracks are available in a range of ten track designs to ensure optimum support and locking for the shutter.

### 13 Plugs - PVC track plugs cover screw holes in cases where the shutters are fitted to the face of the wall.

### 14 Aluminium profiles - only Blockout Shutters offer a choice of various profile designs ranging from the standard roll form for domestic applications to the extruded aluminium profile for commercial applications requiring superior strength. Profiles are available in standard and customised colours.

### 15 Security bottom bar - an extruded aluminium alloy dual locking slat provides greater rigidity and better security. Includes a dust/light and storm seal.

### 16 Stopper - manufactured from hard-wearing PVC to prevent overwinding the shutter.

### 17 End capsules - made from injection moulded high density polyethylene. These provide a smoother rolling action and prevent potential jamming.

### 18 Staples - manufactured from stainless steel to ensure the end capsules are locked into position.

### 19 & 20 Springs - coated springs prevent scratching and form part of the locking system.



Installation of a built-in Extruded Maxiblock® Shutter where the pelmet is hidden within the brick aperture.



## COMPANY PROFILE

Blockout Industries Pty Ltd trading as Blockout Shutters was formed by David Earl and Bernd Hansche in 1989, bringing together over 20 years of industry experience at the start. Today, Blockout Shutters is the market leader for design, quality and innovation of aluminium roller shutters.

Over the years Blockout Shutters' research and development team have improved and expanded the shutter range to offer shutters for almost any installation. We pride ourselves in providing problem solving solutions for difficult and challenging projects. These can include installations for angled and shaped windows and roofs, point of sale in-store counters and commercial applications.

Blockout have a diverse client range. Therefore, our shutters can be seen in new and existing homes, TAFE's, universities, railway stations, shops fronts, toll booths and service stations. We also design and install shutters for architects, builders and interior designers for new homes, hotels, supermarkets, office/commercial buildings, retirement villages and specialised buildings.

## OUR APPROACH

Blockout offer all our clients the complete package. At the initial time of answering your enquiry to the completion of the shutter installation, our policy is to include the following:

**QUALITY** - Blockout supply all our customers with the best quality shutters and components to suit their requirements.

**RANGE** - Blockout has the largest range of shutters on the market to match an extensive variety of applications. Our wide choice of shutter types, colours, operation control and components offer our clients flexibility in choosing a shutter which best suits their requirements.

**PRICE** - Our policy is to offer GENUINE competitive prices without fake discounts. We believe that quality, range and price must go hand in hand to offer a complete package.

**SERVICE** - We believe in the excellence of our products. We have advantages over our competitors because we market, manufacture, install and if required service our shutters.

**EXCLUSIVE FEATURES** - All our shutters have features that are unique to Blockout shutters. Our shutter components are owned and protected exclusively by design registrations and trade marks.

## SHUTTER RANGE BENEFIT OVERVIEW

Blockout Shutters will manufacture, deliver and install quality shutters onto existing windows, doors and roofs. Planning a building project provides the opportunity for the shutter pelmet to be built into the wall cavity, streamlining the exterior appearance of the shutter.

Blockout Shutters will custom design a solution to suit the site specifications while best meeting the needs of the application. For example, shutters can also be manufactured for shaped and curved windows, in-store point of sale displays and commercial/industrial buildings.

### BLOCKOUT HEAT

Blockout Shutters can reduce heat gain through glass windows in summer by up to 90%. The shutter's thermal characteristics are achieved by an air pocket formed between the shutter and the glass. Benefits include:

- A cooler building environment in summer
- Savings in electricity costs by lower energy consumption from air conditioning units
- A reduction in your green house gas emissions.

### BLOCKOUT COLD

In the same way as blocking out heat in summer, Blockout Shutters can reduce heat loss through glass windows in winter by up to 70%, providing the following benefits:

- Faster heating time and a warmer building
- Appliances will operate more efficiently
- Savings in your heating bills
- A reduction in your green house gas emissions
- A reduction in condensation on glass
- Cleaner and drier window sills.

### BLOCKOUT NOISE

Tests have shown that Blockout Shutter's aluminium and polyurethane sandwich profile design can reduce noise by up to 10 decibels (subject to the building's construction).

### BLOCKOUT STORMS

Blockout Shutters can protect your property from extreme weather conditions including, flying debris, hail, strong winds and tropical cyclones.

### BLOCKOUT INTRUDERS

Blockout's rigid interlocking aluminium construction, combined with its optional dual locking system, makes it almost impossible for an intruder to enter your home. For added security, Blockout's Maxiblock® system is three times stronger than our Original Standard Blockout Shutter.

### BLOCKOUT LIGHT

Blockout Shutters can reduce or eliminate the effects of streetlights, headlights, sunlight or glare. You can:

- Control the amount of ultra violet rays to protect valuable furnishings from fading
- Shift workers can achieve darkness during the day
- A darkened room will help children sleep better during the day.

Shutter settings can adjust interior light from unrestricted sunlight, to soft filtered light or almost complete darkness.

### BLOCKOUT BUSHFIRES

Government agencies now advise installing aluminium window shutters for added protection from bush fires. Blockout Shutters can reduce the effects of bush fires such as:

- Preventing scorching heat from entering buildings
- Preventing window or door glass from shattering
- Preventing internal fittings such as curtains and other soft furnishings igniting.

### CONTROL

The Blockout Shutter range is easily controlled by manual or electronic controls. Both in-wall and on-wall operations are available for use on either existing buildings or those under construction.

### MEASURE AND INSTALL

Our experienced team will accurately measure and inspect the building to ascertain the best installation method. Considerations include access to power for placement of the internal control, size, colour and placement of shutter.

All Blockout Shutters are installed by our trained personnel. Installation includes selecting shutter components best suited to the type of building, access, location and usage.



## WHY CHOOSE A SHUTTER?

Shutters are a multifunctional aluminium blind. Externally fitted to an existing building or built-in into a new building they enhance your building's appearance and provide added advantages that other products don't have. For example:

- Awnings do provide shade, however will not insulate or protect your building from storm damage.

- Grilles do provide security, however they are a fire hazard and not aesthetically appealing.

- Blinds do provide privacy, however will not insulate or secure your building and may cause health problems.

- Double glazing provide outside noise reduction, however restricts access to air and will prevent evacuation during a fire.

## CHOOSING THE RIGHT SHUTTER

Choosing the right shutter will depend largely on the reasons for the shutter, its location and type of installation.

Shutter specifications vary in strength, insulation quality and openness (the amount of visibility through the shutter profile/curtain provided by the perforations).

Blockout's experienced staff will examine your site and discuss with you the options available.

## ARCHITECTS

Blockout Shutters on windows and doors can be built-in for many different building applications from multistory public and commercial buildings to high rise units, homes and single buildings.

## HOMEOWNERS

Blockout Shutters can be installed on existing home exteriors or built-in. Popular applications include glass roofs, windows and storage areas.

## COMMERCIAL / INDUSTRIAL

Blockout Shutters are suitable for large factory warehousing, service centres, storage areas, ticket counters and public facilities.

## RETAILERS

Blockout Shutters can be customised for external shop security and storage areas, shop fit-outs or point of sale displays and mobile retail counters.

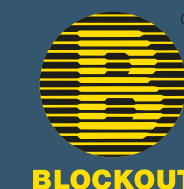
Below exterior and interior photographs of Maxiview® Maxiblock® Shutters.

This application require built-in shutters for security and protection from extreme weather conditions while maintaining rural views.



BLOCKOUT INDUSTRIES PTY LTD  
194 NEWTON ROAD WETHERILL PARK 2164  
T 02 9725 3477 F 02 9725 2292

W [www.blockoutshutters.com.au](http://www.blockoutshutters.com.au)  
E [enquiry@blockoutshutters.com.au](mailto:enquiry@blockoutshutters.com.au)



**BLOCKOUT® SHUTTERS PRODUCT RANGE**