



Leading Window & Door Systems



Wintec Aluminium



Since our beginning in 1997, we have developed a range of window and door products that are innovative, functional and stylish.

Wintec Aluminium windows and doors are an all Australian designed and manufactured product, with modern designs and quality finish at the forefront of the Wintec philosophy.

An ongoing commitment to product development and service to our Australia wide fabricator base ensures that no matter where you are, you have access to the latest designs in the Window and Door industry.

“Australia’s Leading Window and Door Systems”

Products and Services

Aluminium Windows & Doors

Wintec have products to suit all areas in Australia – consisting of, Sliding windows, Sliding doors, Awning and Casement windows, Double Hung windows, Louvres, Sliding Multi Track doors, French doors and Bi-folding doors .

Window & Door Testing Laboratory

The Wintec designed products are tested to Australian standard AS2047-1999 in NATA accredited laboratory No 14093. This ensures your windows and doors comply with the building code of Australia [BCA] and are suited to your particular location. In line with the BCA requirements Wintec windows and doors carry a 7 year guarantee.



Sliding Door



Sill Types .

300 Pascal rated sill (Water Penetration Resistance Pressure), 450 Pascal rated sill (Water Penetration Resistance Pressure), 600 Pascal Sub Sill combination rated sill (Water Penetration Resistance Pressure), Low profile 150 Pascal rated sill (Water Penetration Resistance Pressure) and non-rated Wheelchair sill (1:8 maximum gradient that complies with AS1428)

Mullion & Interlocks .

Available in Standard duty = 1000 Pascal serviceability, Heavy duty = 2200 Pascal serviceability and Region D = Cyclonic Rating.

Structural .

Hollow sections including Mullions and Stiles give added strength and security. Large doors are fitted with heavy duty double rollers. A commercial lock stile is available for architectural hardware applications

Aesthetics .

No unfinished or exposed edges. Rounded Interlocks look better than conventional "T" types and are less likely to catch on furnishings.

Additional Benefits .

With a maximum door height of 2700mm, the Low profile sill is available for Disabled access and / or Nursing home applications. The Sliding door can be coupled to other Wintec products.

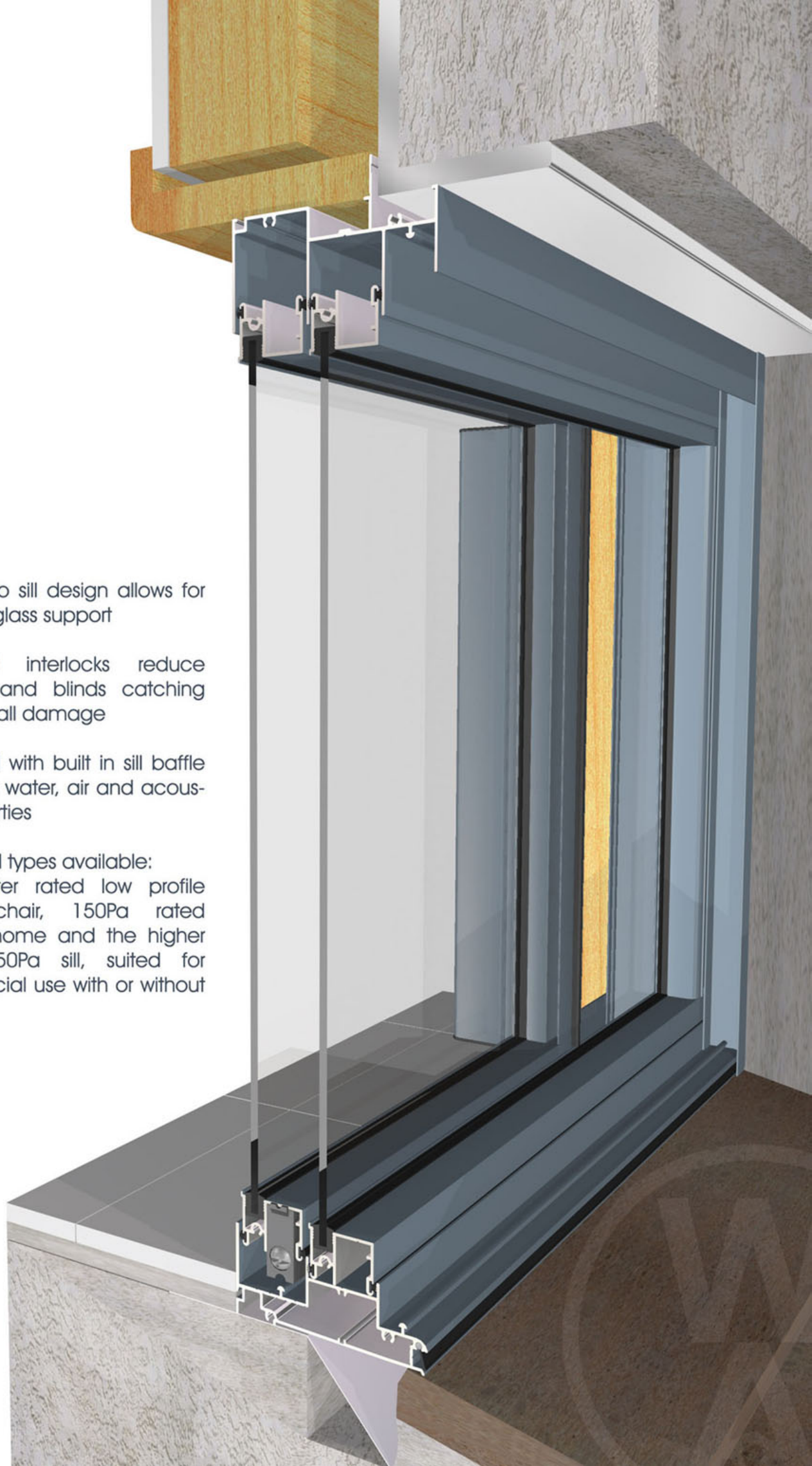
Options .

Insect / Security screens available as well as Double Glazing with an 18mm pocket.



Sliding Door System

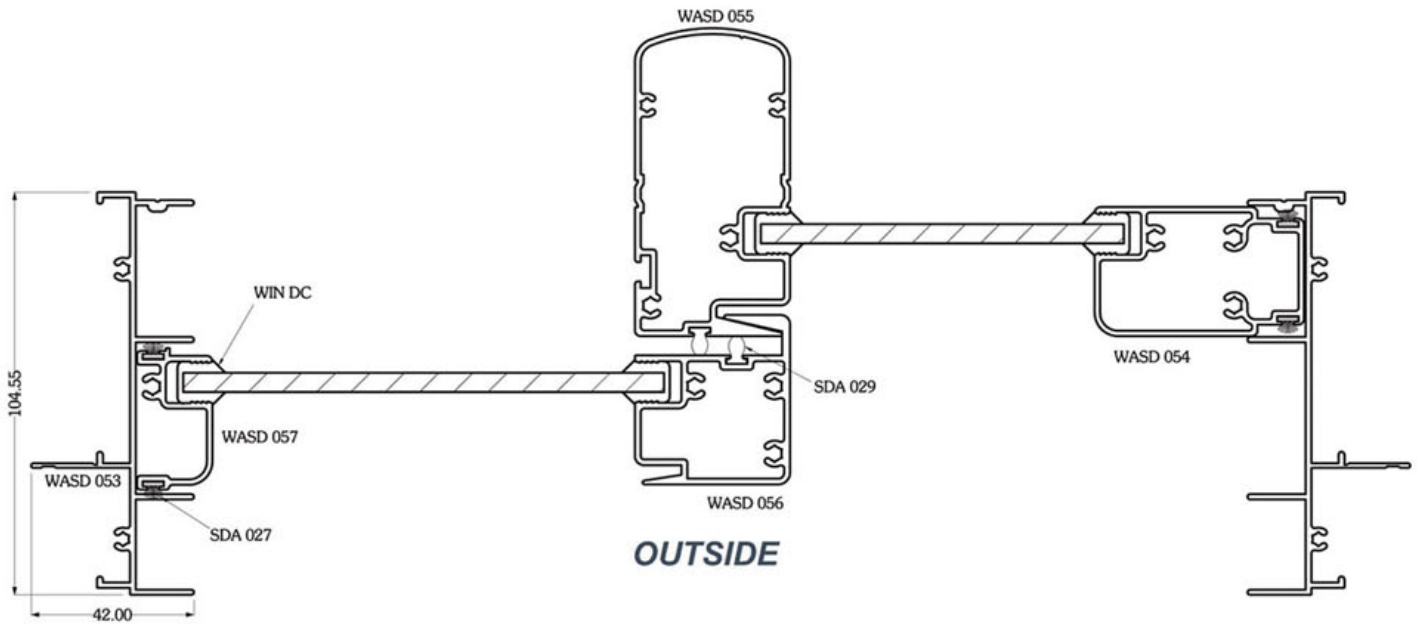
- Low rail to sill design allows for stronger glass support
- Rounded interlocks reduce curtains and blinds catching and overall damage
- Hollow sill with built in sill baffle for better water, air and acoustic properties
- Various sill types available:
Non water rated low profile wheel chair, 150Pa rated Nursing home and the higher rated 450Pa sill, suited for commercial use with or without sub sills



Sliding Door

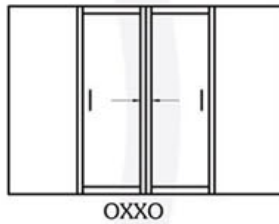
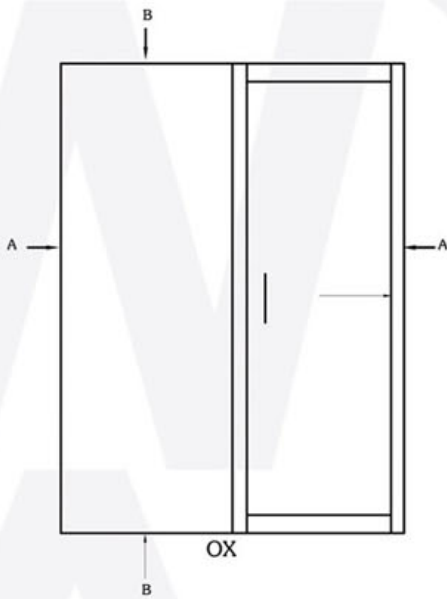
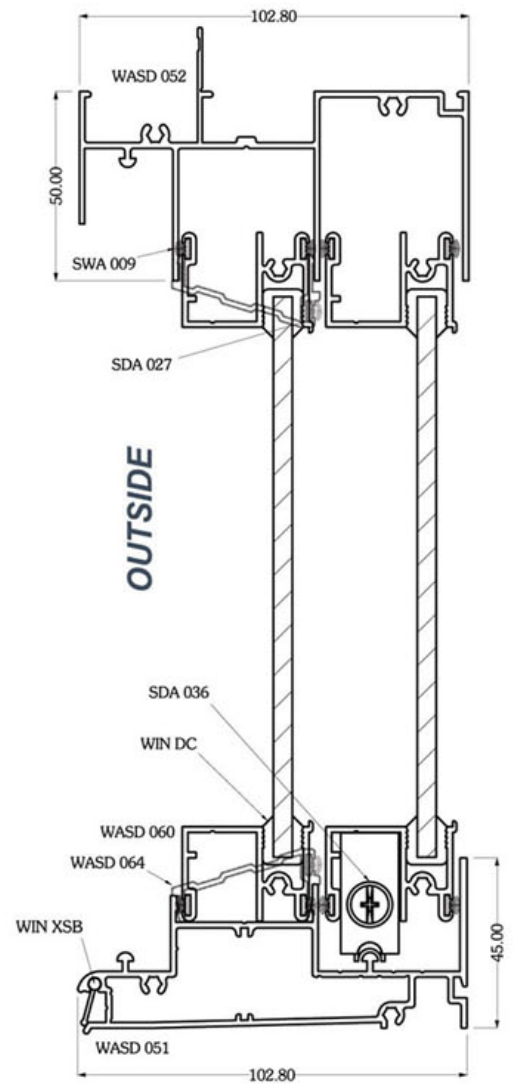
A - A

Technical Configurations - Scale 1:2



Typical Sliding Door - VIEW FROM OUTSIDE

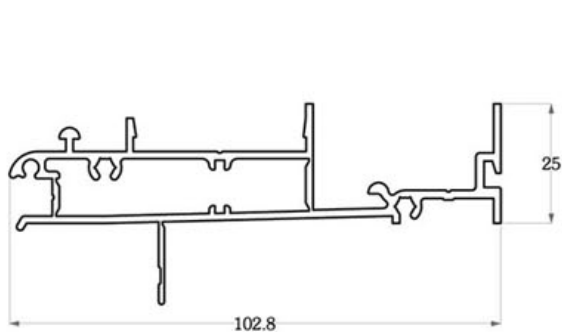
B - B



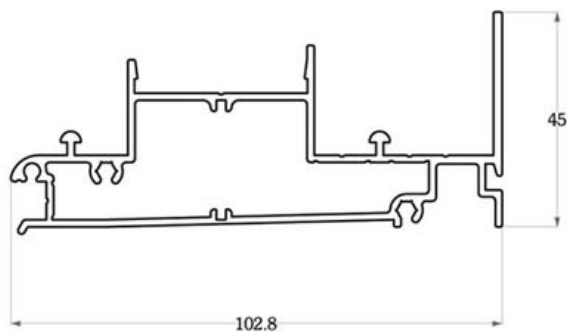
Contact your local Wintec Fabricator for other configuration options.

O - Sliding
FX - Fixed

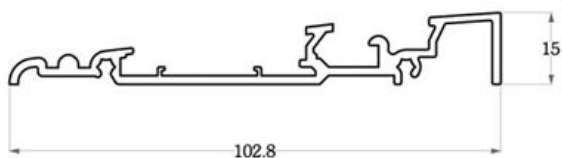
Door Low & High Rating Sills



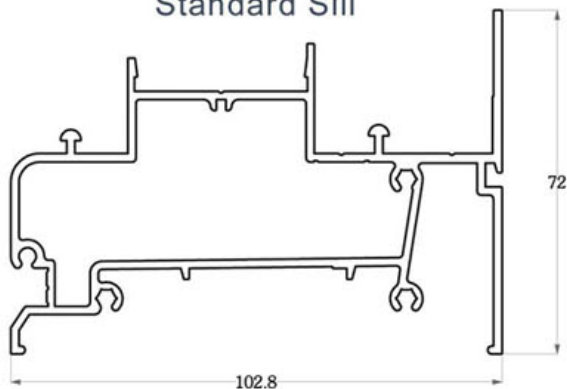
Nursing Home Sill



Standard Sill



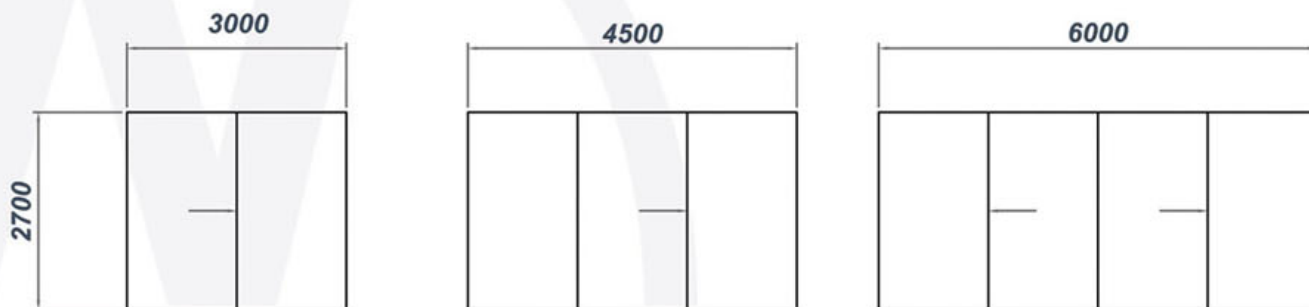
Disabled Wheelchair Sill



450 / 600 Pa Sill

Maximum Sizes Table

***Note:** The Wintec Sliding Door is compatible with various brands of door handles and locks; See your local Wintec Fabricator for details



***Note:** For products or configurations outside of these sizes, or pressures exceeding 1000Pa please contact your nearest Wintec Fabricator

Summit Sliding Door



The Summit 250 Sliding Door is a product born out of necessity. Architects and Engineers working on projects in cyclonic regions of Australia require higher performing window and door products. The T1 building in Townsville Queensland by the Hedley Group, is an example of this requirement.

Structural .

Size & strength matters, sliding door heights above 3 metres are now possible with the Summit 250. Ultimate strength is obtained through the use of large interlocking hollow sections & heavier gauge wall sections throughout. This system can be glazed up to 12mm

Aesthetics .

The Summit 250 inherits the similar features of the already successful Wintec Sliding Door such as; smooth lines, easy clean surfaces, end capped mullions & interlocks & a heavy duty roller system. The Summit 250 also allows the owner larger uninterrupted views.

Performance .

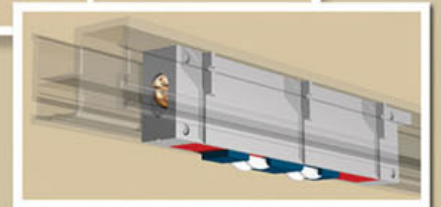
The Summit 250 is tested to AS 2047-1999 & can achieve wind load ratings above 8Kpa. Glazing options allow the Summit 250 to be used in sensitive acoustic & energy efficient applications where large openings & views are still a key requirement.

Additional Benefits .

The Summit 250 Door is suitable for all regions in Australia. It is particularly at home in high wind, coastal & cyclonic regions or for those who simply want "The Ultimate Door!"



Summit 250



Heavy Duty Double Bogie Roller System



Rated in accordance with AS2047-1999

Summit Sliding Door

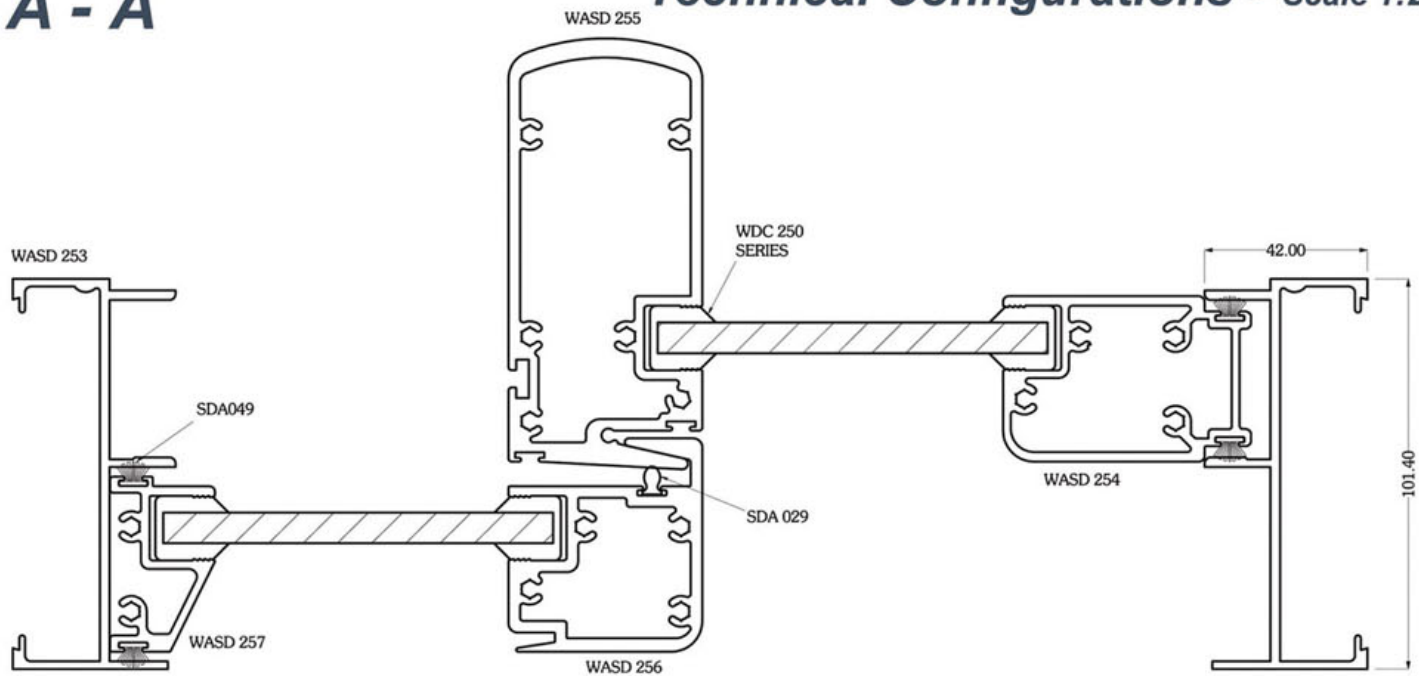
- Rounded and hollow sections with heavier wall thickness give added strength as well as an increase in noise reduction efficiency
- Wind load testing above 300Km/hr has proven the Summit is one of the strongest sliding doors on the market
- Reversible framing system allows for external sliding sash configuration
- Heavy duty double rollers are standard with this system



Summit Sliding Door

A - A

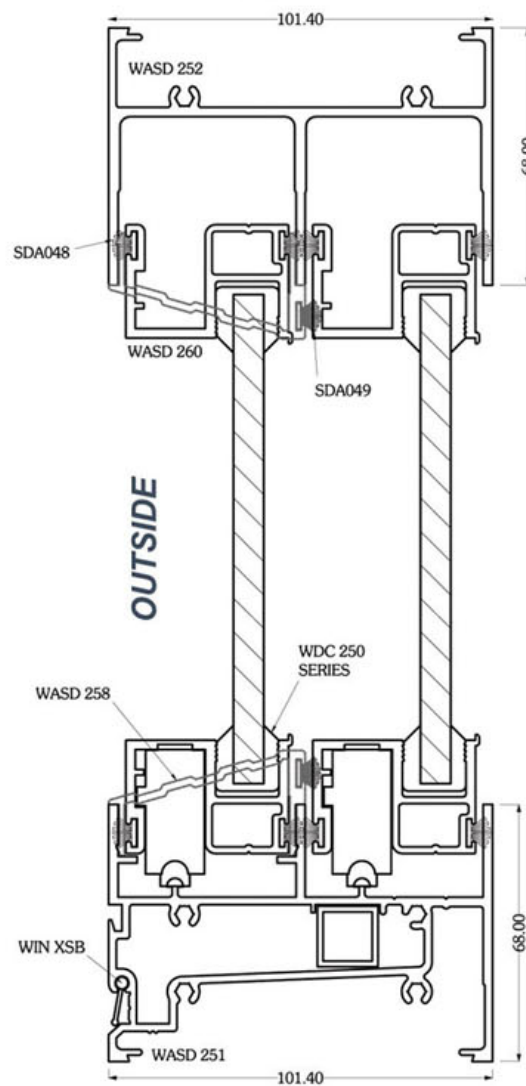
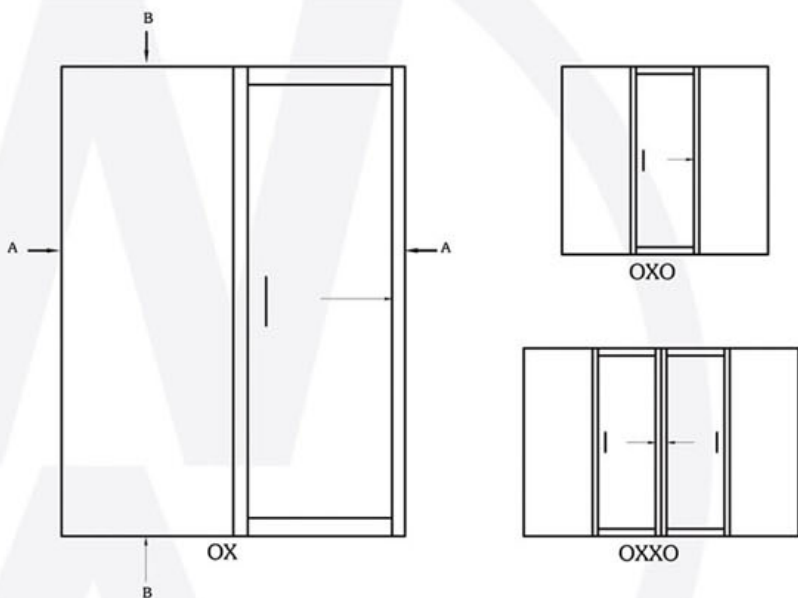
Technical Configurations - Scale 1:2



OUTSIDE

B - B

Typical Summit Sliding Door -
VIEW FROM OUTSIDE

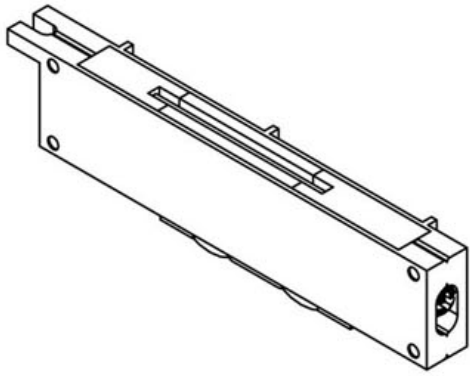


OUTSIDE

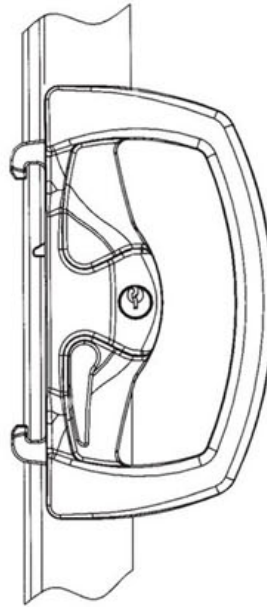
Contact your local Wintec Fabricator
for other configuration options.

X - Sliding
O - Fixed

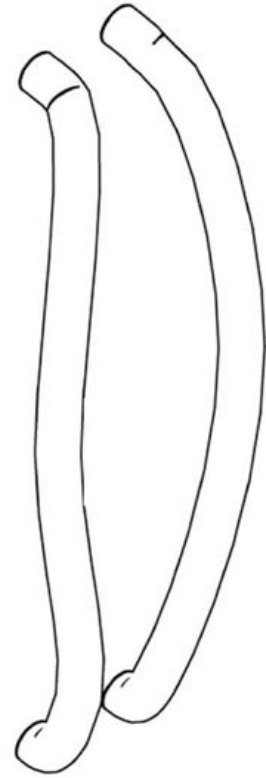
Summit Hardware



Heavy Duty Double Rollers

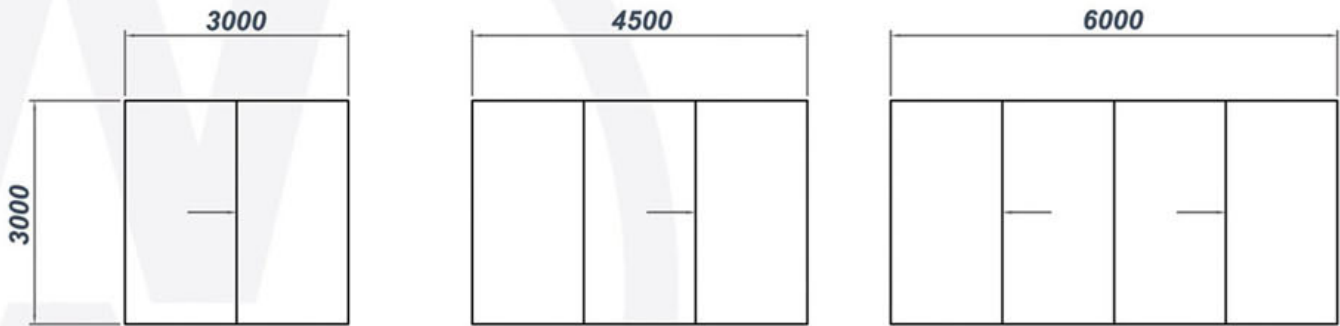


DeadLock Handle



The Summit Door Stiles Suit A
Range of Architectural Door Furniture

Maximum Sizes Table



***Note:** For products or configurations outside of these sizes, or pressures exceeding 1000Pa please contact your nearest Wintec Fabricator

Multi Track Sliding Door



Sill Type .

170mm wide sill with screenable track. Rated to Australian Standards the Multi Track 200 sill has a water penetration resistance pressure of 300 Pascals.

Mullions & Interlocks .

Available in Standard duty = 1000 Pascal serviceability, Heavy duty = 2200 Pascal serviceability and Region D = Cyclonic Rating.

Aesthetics .

No unfinished or exposed edges. Rounded Interlocks look better than conventional "T" types & are less likely to catch on furnishings.

Additional Benefits .

This system has a Maximum door height of 2700mm and a Maximum door width of 7200mm. Depending on width this system can have 3 or 6 panel configurations.

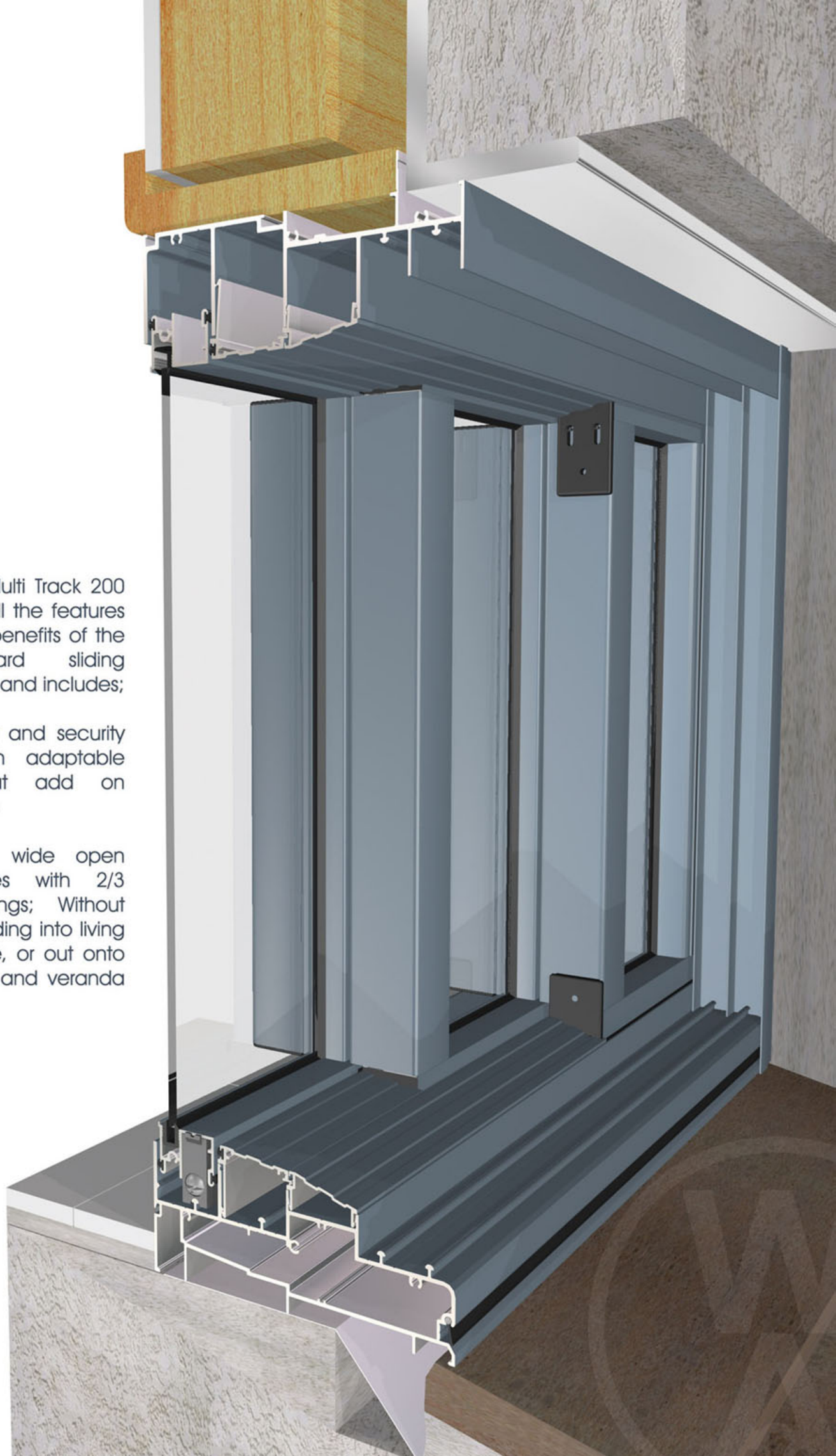
Options .

Insect / Security screens available as well as Double Glazing with an 18mm pocket.



Multi Track Sliding Door

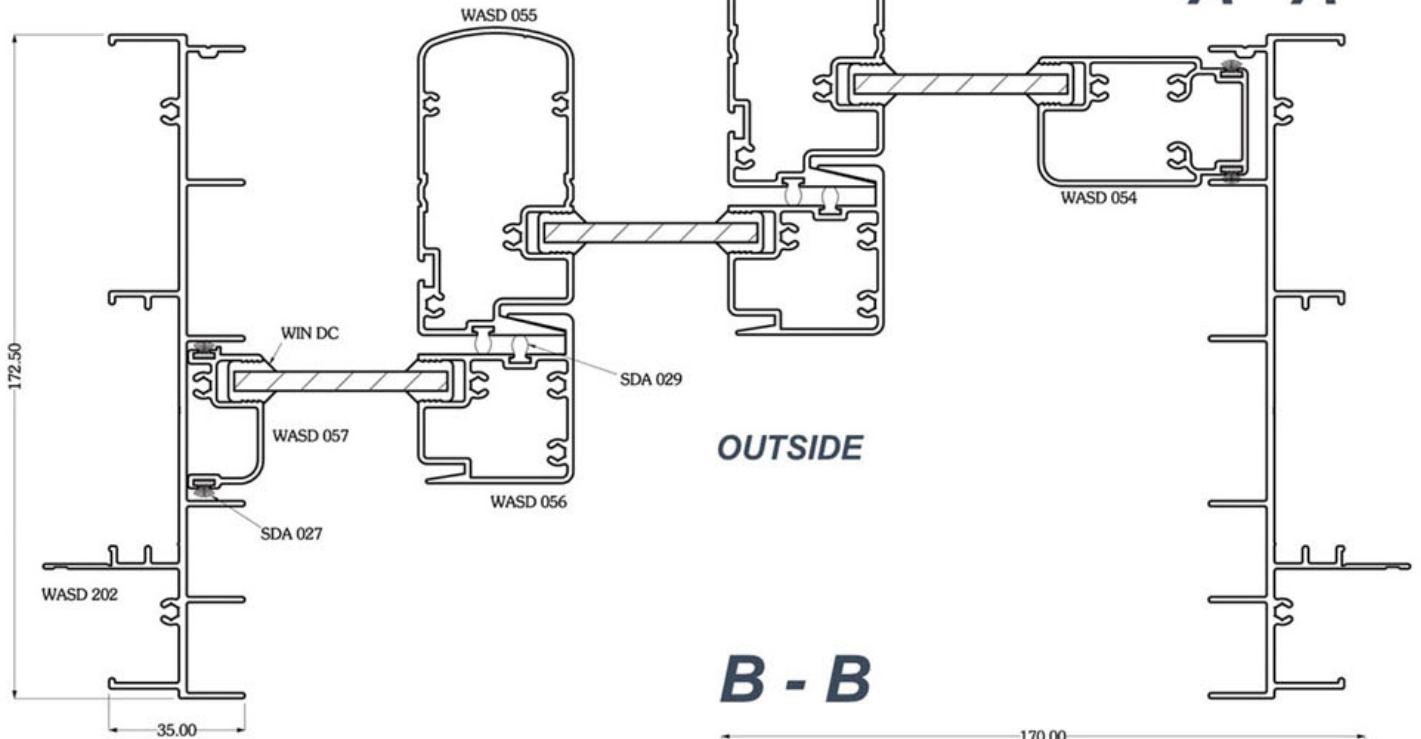
- The Multi Track 200 has all the features and benefits of the standard sliding doors and includes;
- Insect and security screen adaptable without add on tracks
- Enjoy wide open spaces with 2/3 openings; Without impeding into living space, or out onto patio and veranda areas



Multi Track Sliding Door

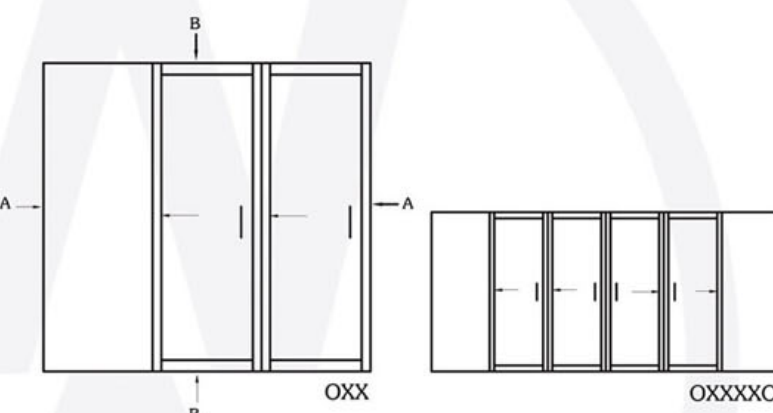
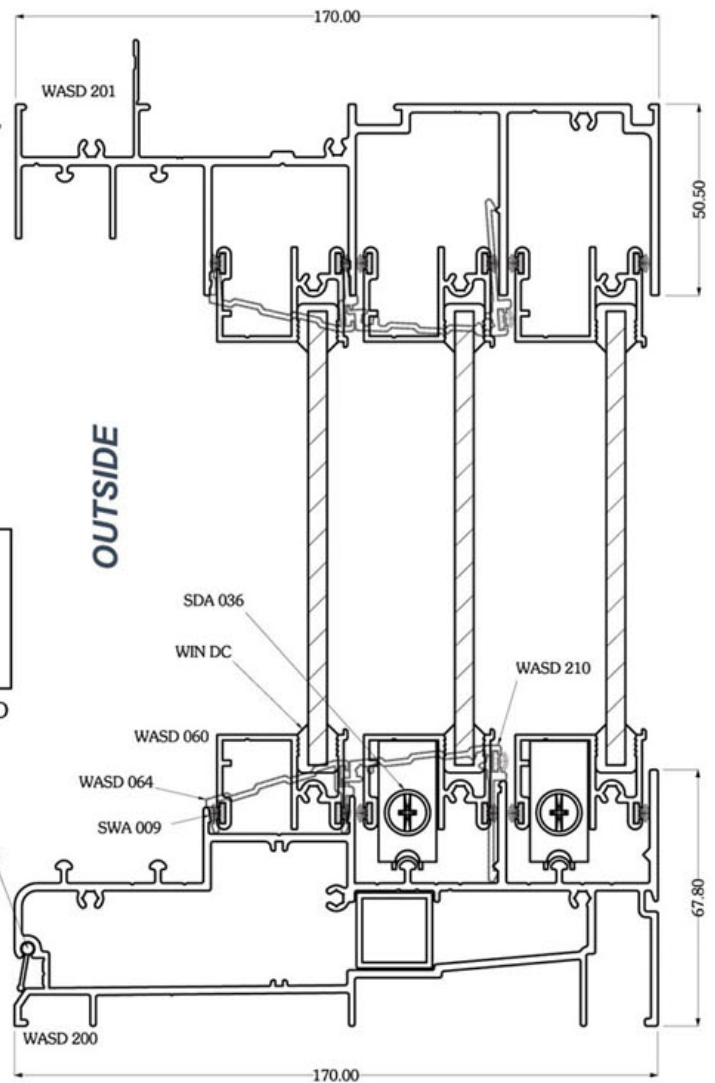
Technical Configurations - Scale 1:2

A - A



B - B

Typical Multi Track Sliding Door - VIEW FROM OUTSIDE



O - Sliding
FX - Fixed

Contact your local Wintec Fabricator for other configuration options.

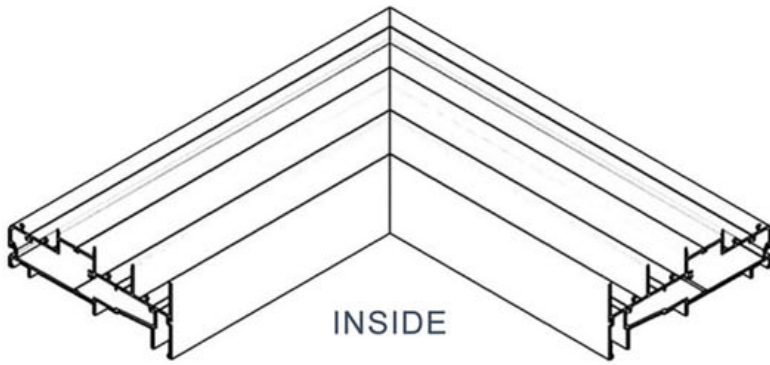
CROSS SECTION



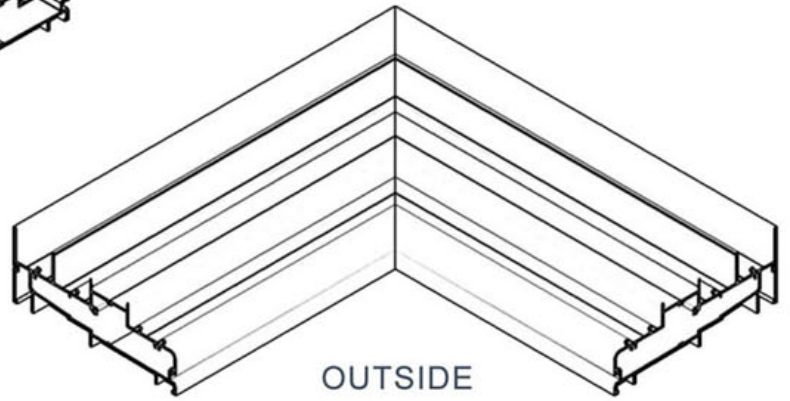
P 07 5535 4477 PO Box 2494
F 07 5535 4744 Burleigh Heads, QLD 4220 www.wintecaluminium.com.au

Leading Window & Door Systems

Corner Options

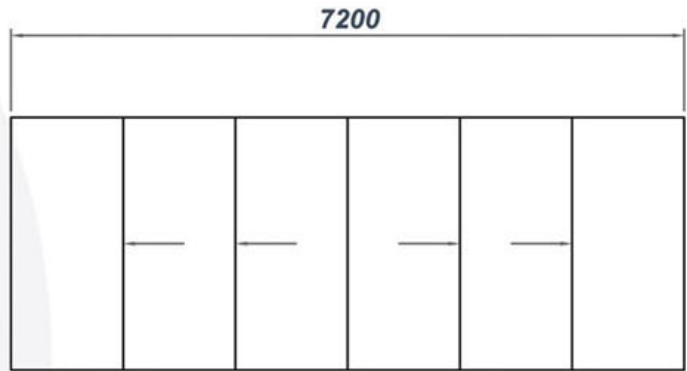
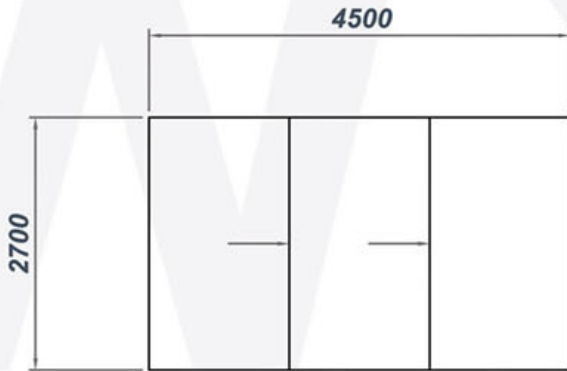


Multi Track Sill - External Corner



Multi Track Sill - Internal Corner

Maximum Sizes Table



***Note:** For products or configurations outside of these sizes, or pressures exceeding 1000Pa please contact your nearest Wintec Fabricator

Hinged Doors



Structural .

Strong hollow rails, stiles and mid rails give this Hinged Door the edge in strength and serviceability. The Wintec French Door can be coupled with all other Wintec Products. Mitred door sash is 75mm x 48mm and can also be double glazed.

Weather .

Unique "Z" seals as well as Q'lon seals for the Head, Sill and Stiles provides excellent sealing from the weather.

Aesthetics .

Rounded rails help to give this door the classy yet structurally sound look. This system is available in various glazing options and styles.

Additional Benefits .

This system can be individually glazed and is also available in a federation style. Doors can be opened inwards as well as outwards with the Triple 1 framing system.

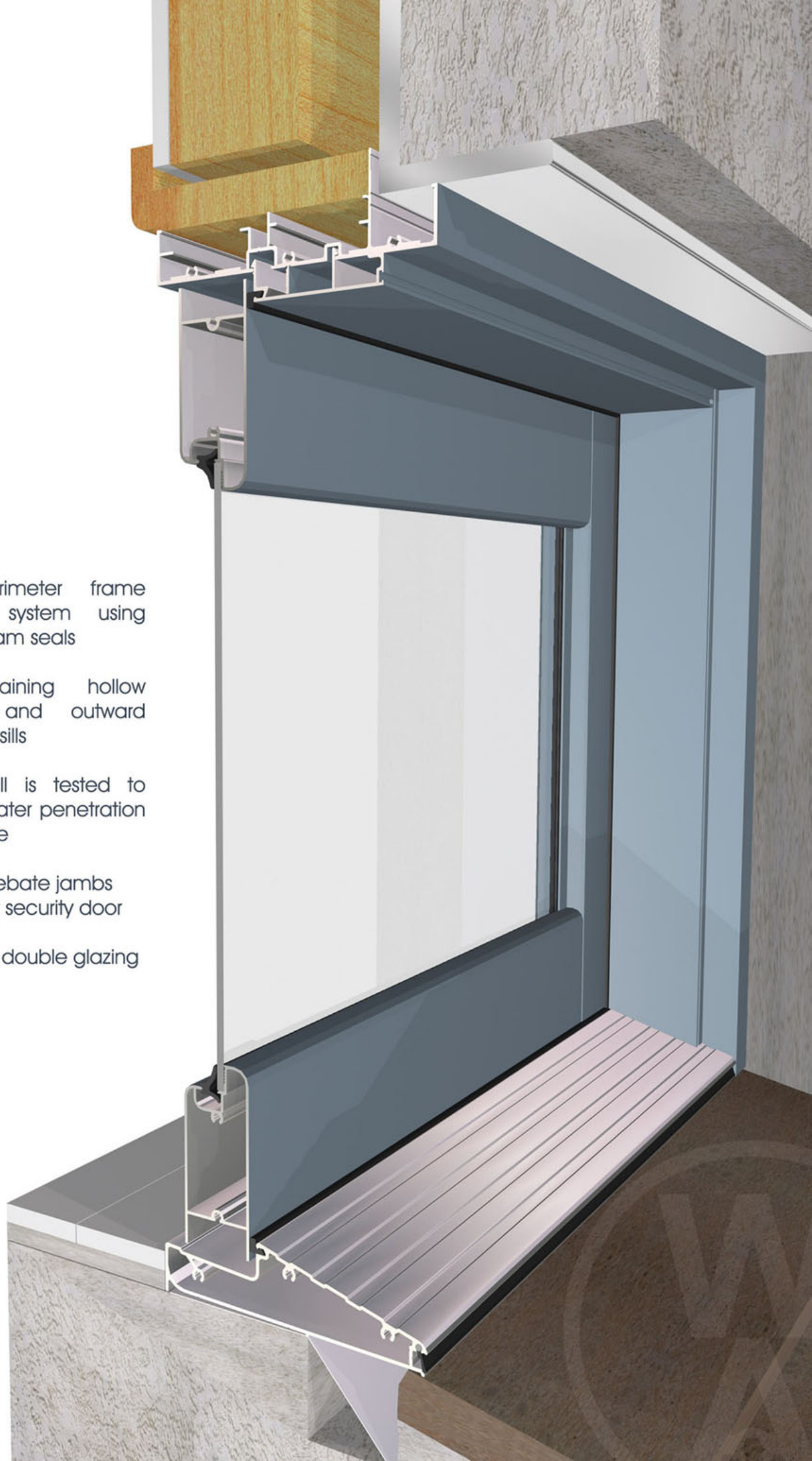
Note .

It is not a requirement for hinged doors to be tested in accordance to AS2047. It is an initiative of Wintec Aluminium to achieve ratings on air infiltration and water penetration for all window and door products.



Tripole 1 French Door

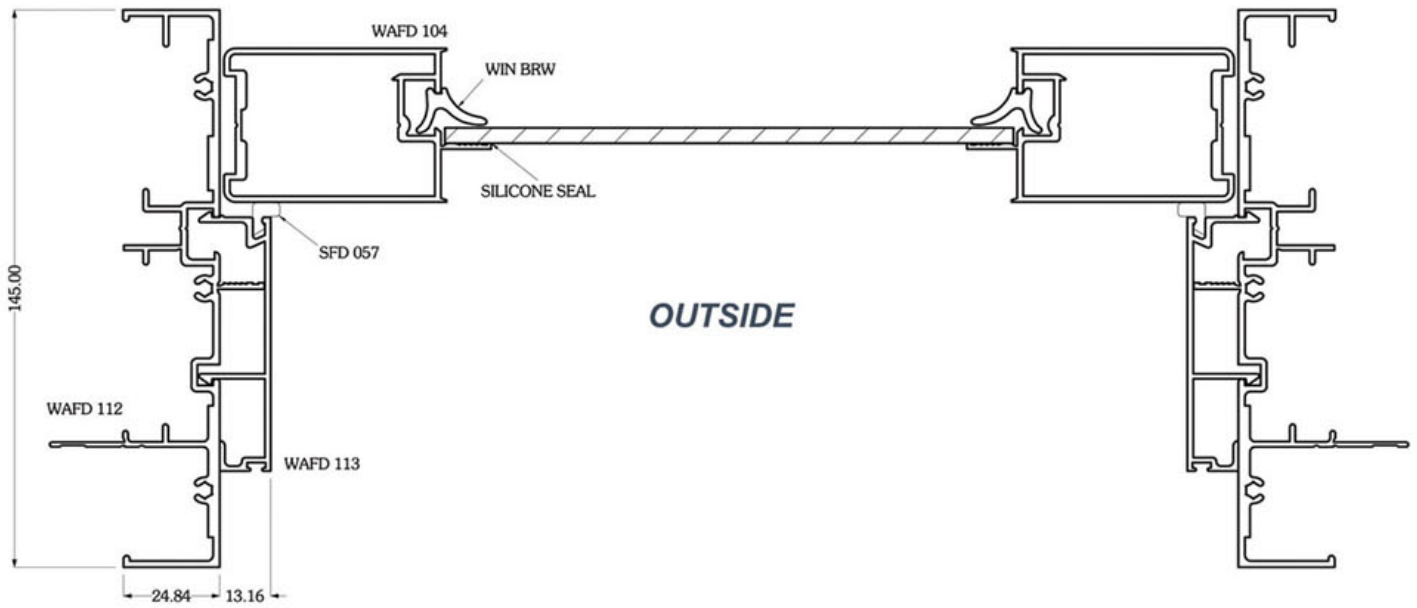
- Full perimeter frame sealing system using Q'Lon foam seals
- Self draining hollow inward and outward opening sills
- Rated sill is tested to 200Pa water penetration resistance
- Double rebate jambs suited for security door
- Suited to double glazing



Hinged Door - OPENING IN

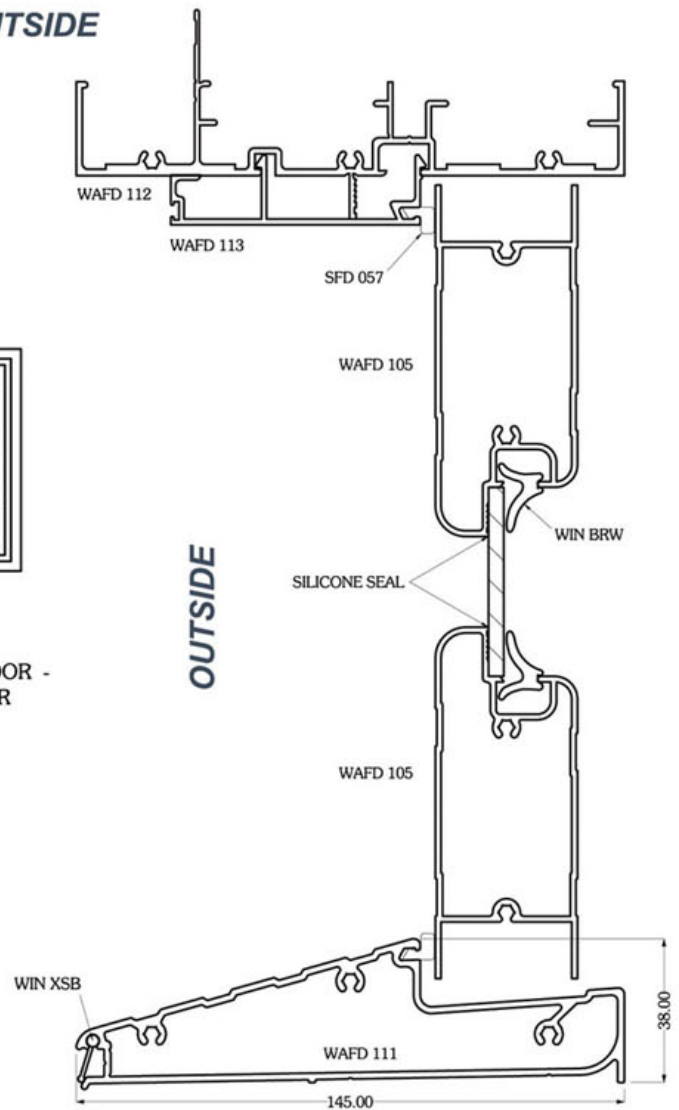
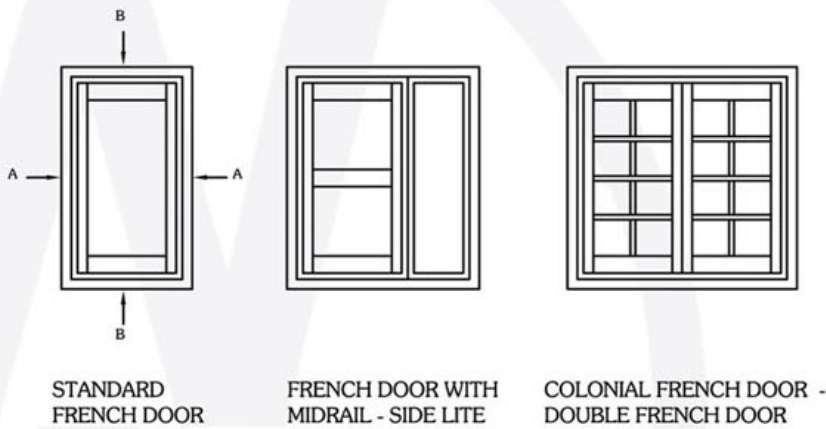
A - A

Technical Configurations - Scale 1:2



B - B

Typical French Door - VIEW FROM OUTSIDE



Contact your local Wintec Fabricator for other configuration options.

Hinged Door Hardware

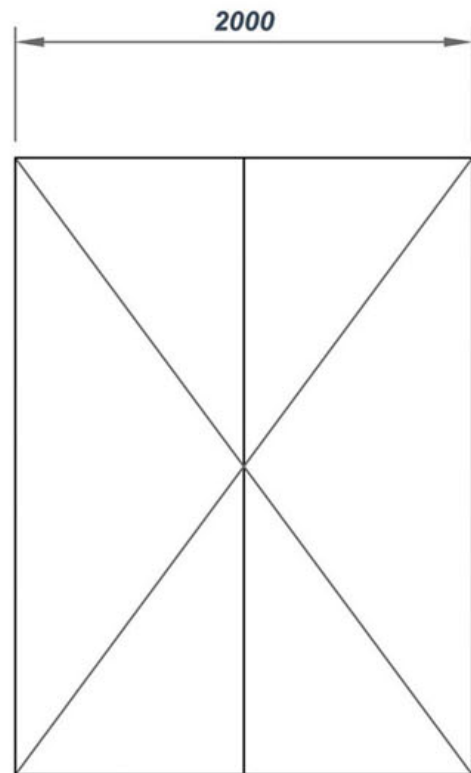


Lever Handle



Multi Point Locking

Maximum Sizes Table



***Note:** For products or configurations outside of these sizes, or pressures exceeding 1000Pa please contact your nearest Wintec Fabricator

WINFOLD

Bi-folding Door

Structural .

Featuring Wintec's rounded hollow construction, the Winfold suits door heights up to 3 metres and individual panel widths to 1 metre. Therefore, offering more uninterrupted views without sacrificing strength and safety. Quality marine grade stainless steel hardware is used to ensure product longevity and performance in the harshest of conditions.

Weather & Energy .

Keeping up with Wintec's proven weather performance, the Winfold is ideal for coastal and exposed locations. The Winfold sill is reversible allowing for inward or outward openings. With modern design and utilising quality seals, ensures the Winfold will meet the high demands for energy efficiency and weather performance in today's market.

Aesthetics .

The Winfold features a new and fresh approach to bi-fold styling. Hard square edges are eliminated on the Winfold and replaced with more modern rounded door rails and stiles that give that easy clean, smooth and classy appearance.

Additional Benefits .

Available in double glazing

Multi point locking hardware for better security

Dust seal on head track reduces wear and corrosion

Available in a low profile sill for easy access applications

**Rated in accordance with AS2047-1999*

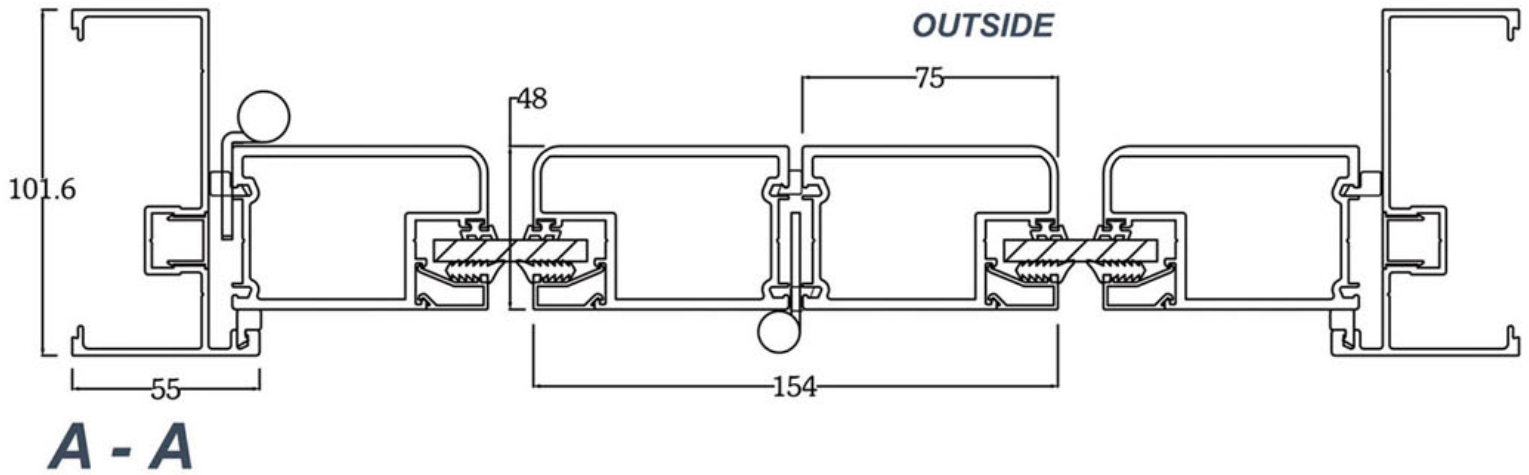


Winfold Bi-folding Door

- 2 Sill types available;
Low Profile and Water Rated
- Reversible sill allows water drainage for both inward and outward opening door configurations
- Rounded stiles and rails for softer aesthetics
- Brush seals in the head and rails reduce dirt and grime build up in guide tracks



Technical Configurations - Scale 1:2



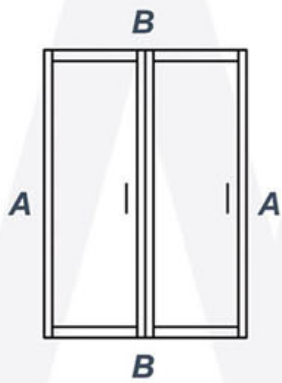
B - B

Typical Winfold / Bi-folding Door -

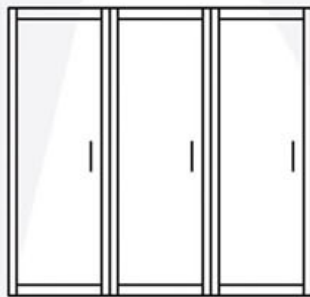
VIEW FROM OUTSIDE

Various opening configurations

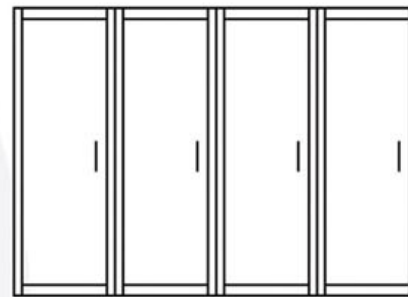
*Note: 2 Panel minimum - 8 Panel maximum



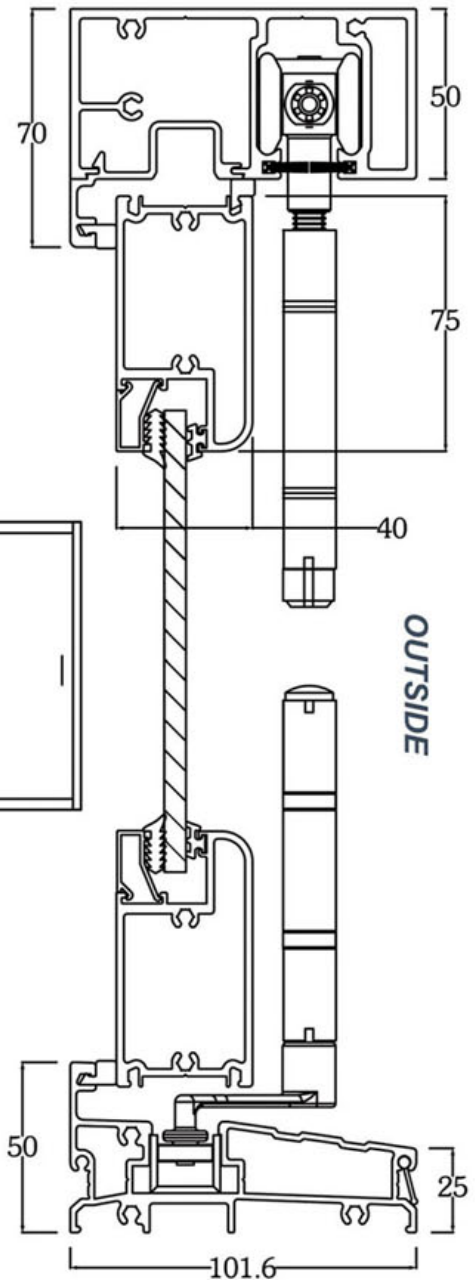
Standard
2 Panel Winfold



Standard
3 Panel Winfold

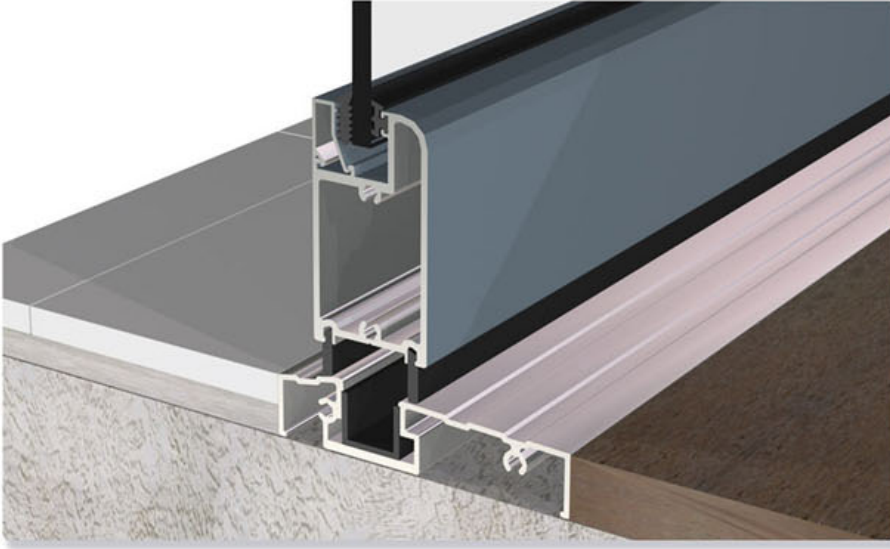


Standard
4 Panel Winfold



Contact your local Wintec Fabricator
for other configuration options.

Winfold Hardware

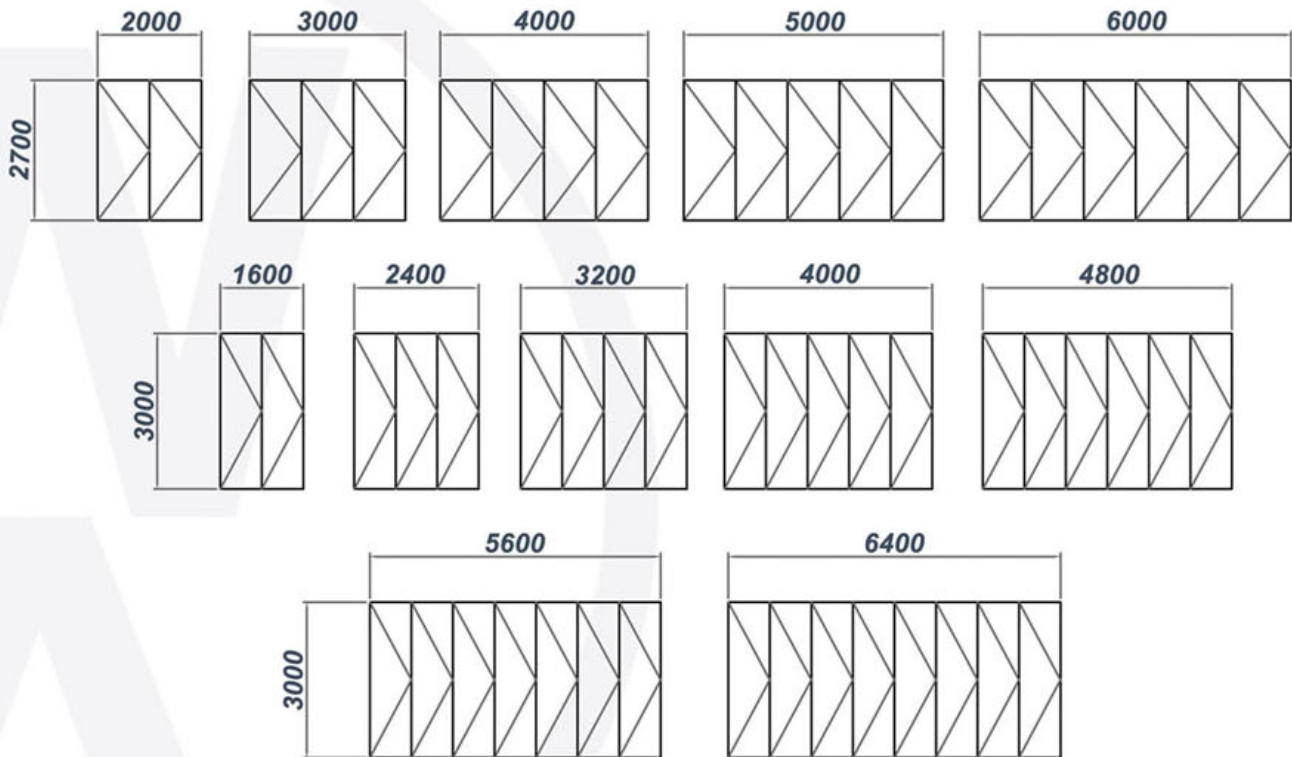


Low profile sill can be flush fitted to timber or tile flooring



Stainless Steel
Centor Hardware

Maximum Sizes Table



***Note:** For products or configurations outside of these sizes, or pressures exceeding 1000Pa please contact your nearest Wintec Fabricator

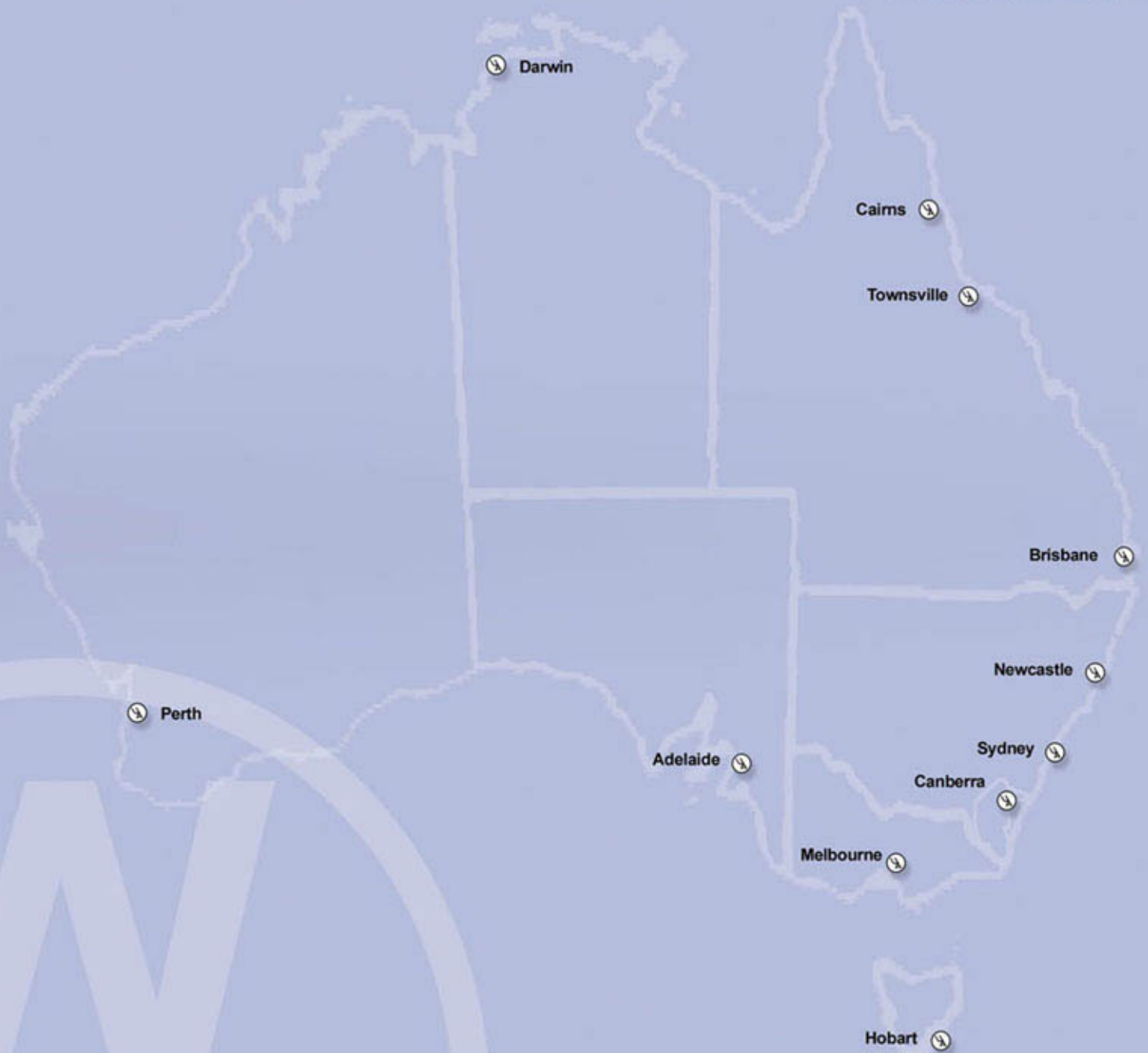
ULLRICH

Wintec Aluminium Stock



ULLRICH

*Wintec Aluminium sections are stocked
throughout Ullrich Aluminium branches
Australia wide*



*Looking for more information about
Wintec Aluminium? Visit us on the web at
www.wintecaluminium.com.au*