



**Caroma**

*Marc Newson.*

pricing and technical information  
caroma marc newson bathroom collection



collection one

freestanding bath CMN8W, freestanding bath filler CMN92010C, shower mixer CMN92003C,  
rail shower with overhead CMN92008C3A, wall hung Invisi II™ toilet suite CMN775200W,  
dual flush plate chrome CMN237041C, basin mixer CMN92000C5A,  
wall basin right hand shelf CMN869410W, shroud CMN869350W.



## pricing information

The dream bathroom – a synergy of form and function.

That dream is realised as two Australian icons come together. Introducing the Caroma Marc Newson collection. Newson's award-winning minimalist aesthetic married with the trusted functionality of Caroma, sets the collection at a new standard in affordable luxury. Innovative design and ingenious manufacturing deliver stunning bathroom solutions.

Building on Caroma's 70-year heritage of innovation and technical excellence, Caroma Marc Newson incorporates unique design features and patented engineering. Internationally renowned for melding the purity of his lines with innate functionality, Newson brings his signature style to a suite of refined bathroom fixtures and accessories. State-of-the-art materials, creative engineering and architectural lines converge in collaboration between Australia's foremost designer and the country's leading name in bathrooms.



collection two

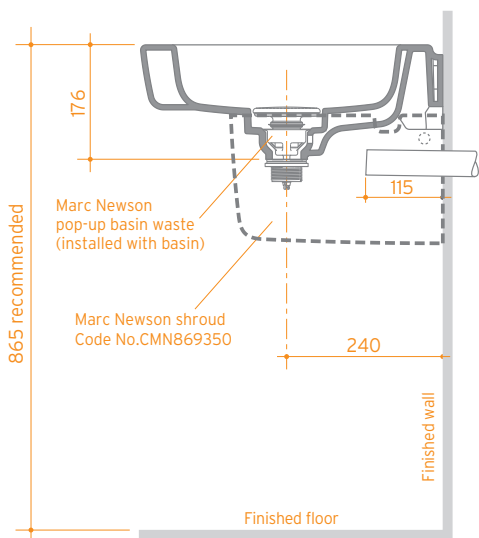
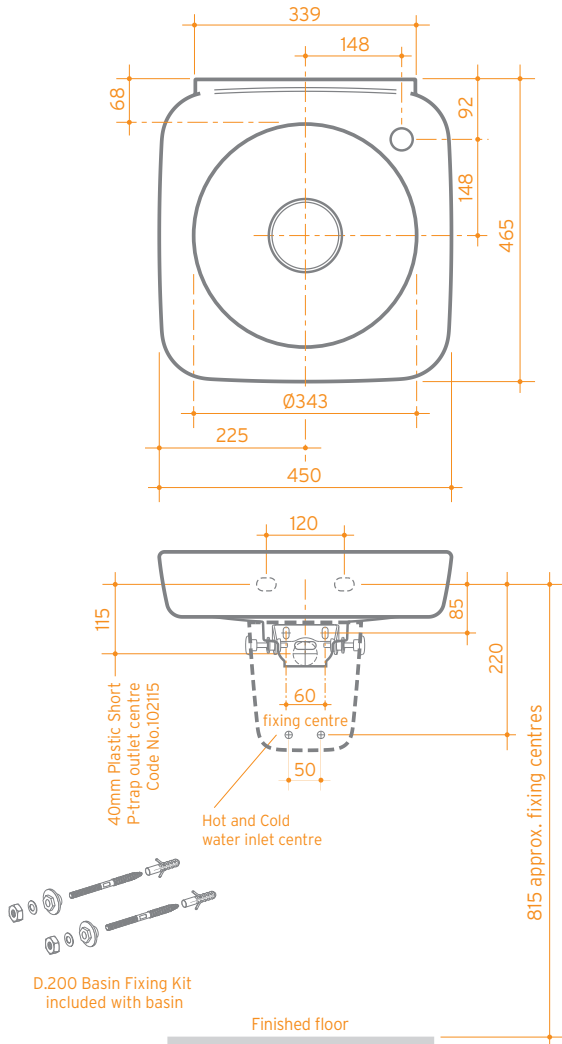
island bath CMN81SW, wall bath mixer CMN92002C, shower system CMN92009C3A,  
wall basin CMN869310W, shroud CMN869350W, basin mixer CMN92000C5A,  
dual flush plate chrome CMN237041C, wall faced Invisi II™ toilet suite CMN775100W.

technical information









## wall basin

Marc Newson's architectural lines are designed to complement any bathroom interior. The unique flush-fitting ceramic waste enhances the minimal design.

**basin size:** 450mm x 465mm (nominal)

**colours:** White only

**tap holes:** Basin available in: No tap holes Code No.CMN869300W and 1 tap hole Code No.CMN869310W.

**waste outlet:** Supplied with an integrated ceramic cap pop-up waste which is suitable for a 40mm trap connection. The waste is pre-installed into the basin.

**shroud:** Optional Caroma Marc Newson shroud Code No.CMN869350W, completely conceals P-trap waste pipe fittings. Includes shroud fixing bracket.

**bowl capacity:** 7.5 litres

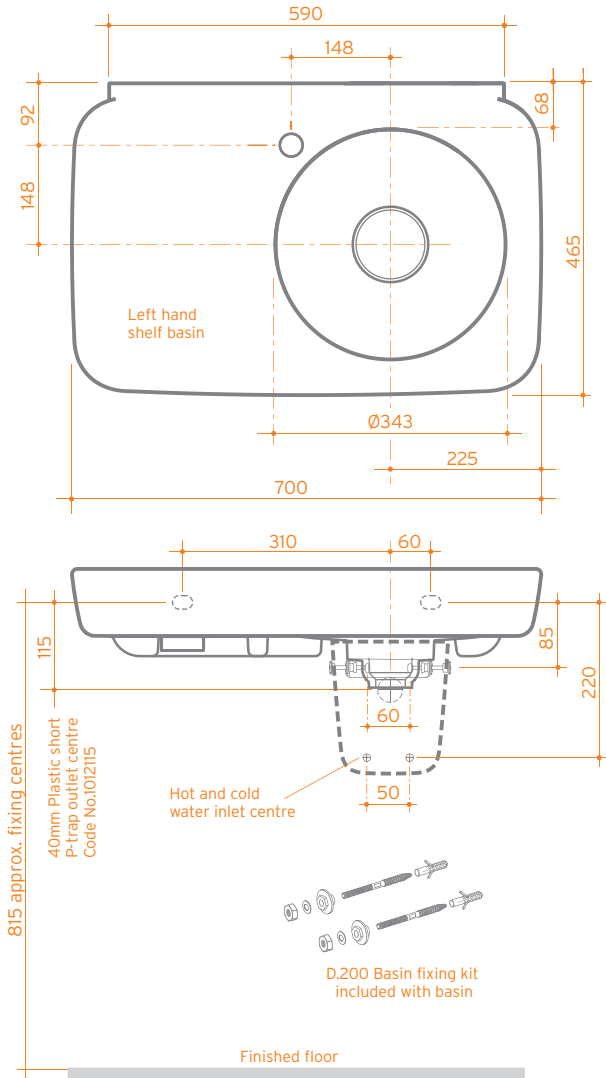
**overflow:** Overflow not available

**fixing:** D.200 Basin Fixing Kit - supplied. Bolts directly to the finished wall.

**dimensions:** All dimensions are in millimetres and are subject to normal manufacturing variations. Caroma pursues a policy of continuing improvement in design and performance of its products. The right is therefore reserved to vary specifications without notice.







### wall basin left hand shelf

For practicality without visual fuss, the Caroma Marc Newson wall basin is available with a shelf to the left hand side of the basin. The unique flush-fitting ceramic waste enhances the minimal design.

**basin size:** 700mm x 465mm (nominal)

**colours:** White only

**tap holes:** Basin available in left hand shelf: No tap hole Code No.CMN869500W, 1 tap hole LHS Code No.CMN869540W and 1 tap hole RHS Code No.CMN869550W.

**waste outlet:** Supplied with an integrated ceramic cap pop-up waste which is suitable for a 40mm trap connection. The waste is pre-installed into the basin.

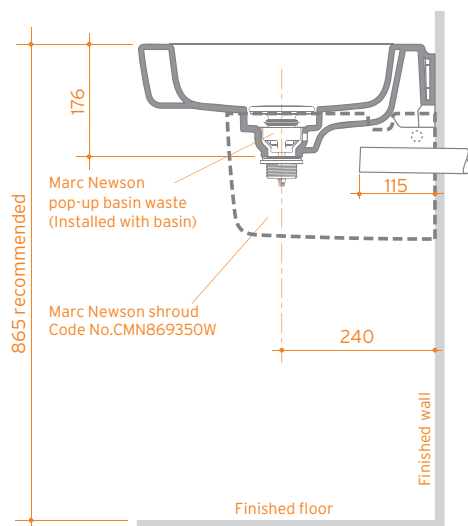
**shroud:** Optional Caroma Marc Newson shroud Code No.CMN869350W, completely conceals P-trap waste pipe fittings. Includes shroud fixing bracket.

**bowl capacity:** 7.5 litres

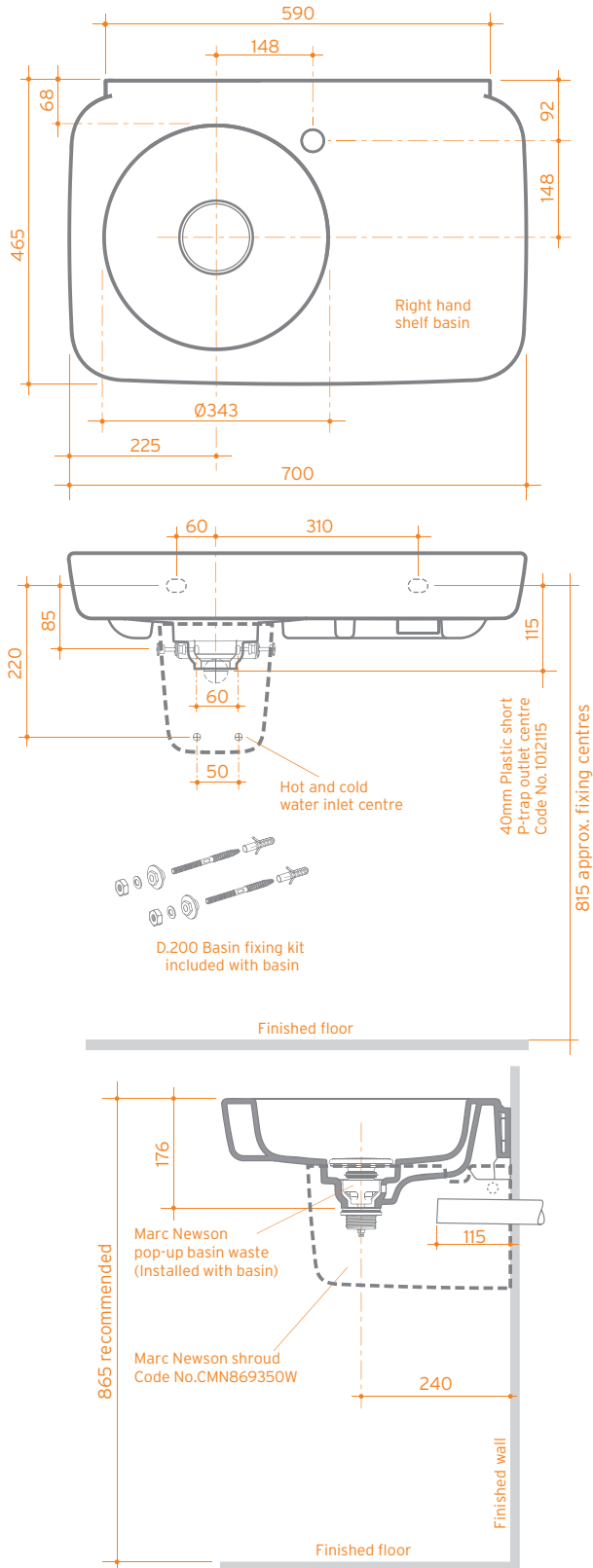
**overflow:** Overflow not available

**fixing:** D.200 Basin Fixing Kit - supplied. Bolts directly to the finished wall.

**dimensions:** All dimensions are in millimetres and are subject to normal manufacturing variations. Caroma pursues a policy of continuing improvement in design and performance of its products. The right is therefore reserved to vary specifications without notice.







## wall basin right hand shelf

For practicality without visual fuss, the Caroma Marc Newson wall basin is available with a shelf to the right hand side of the basin. The unique flush-fitting ceramic waste enhances the minimal design.

**basin size:** 700mm x 465mm (nominal)

**colours:** White only

**tap holes:** Basin available in right hand shelf: No tap holes  
Code No. CMN869400W and 1 tap hole Code No. CMN869410W.

**waste outlet:** Supplied with an integrated ceramic cap pop-up waste which is suitable for a 40mm trap connection. The waste is pre-installed into the basin.

**shroud:** Optional Caroma Marc Newson shroud Code No. CMN869350W, completely conceals P-trap waste pipe fittings. Includes shroud fixing bracket.

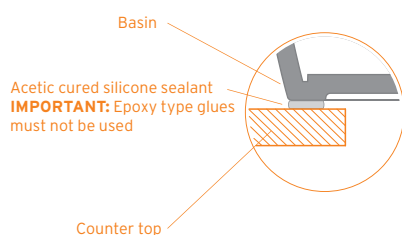
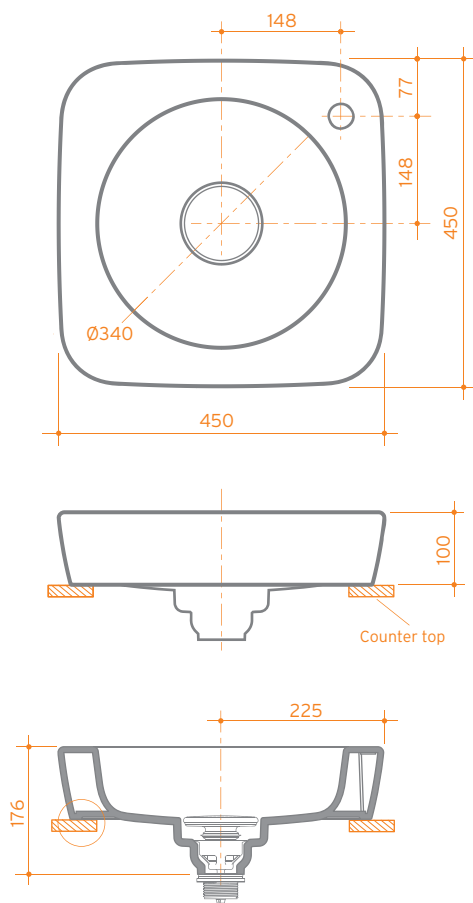
**bowl capacity:** 7.5 litres

**overflow:** Overflow not available

**fixing:** D.200 Basin Fixing Kit - supplied. Bolts directly to the finished wall.

**dimensions:** All dimensions are in millimetres and are subject to normal manufacturing variations. Caroma pursues a policy of continuing improvement in design and performance of its products. The right is therefore reserved to vary specifications without notice.





### above counter basin

The subtle elegance of Marc Newson's design brings sophistication to any bathroom suite. The unique flush-fitting ceramic waste enhances the minimal design.

**basin size:** 450mm x 450mm (nominal)

**colours:** White only

**tap holes:** Basin available in: No tap holes Code No.CMN895000W and 1 tap hole option Code No.CMN895010W.

**waste outlet:** Supplied with an integrated ceramic cap pop-up waste which is suitable for a 40mm trap connection. The waste is pre-installed into the basin.

**bowl capacity:** 7.5 litres

**overflow:** Overflow not available

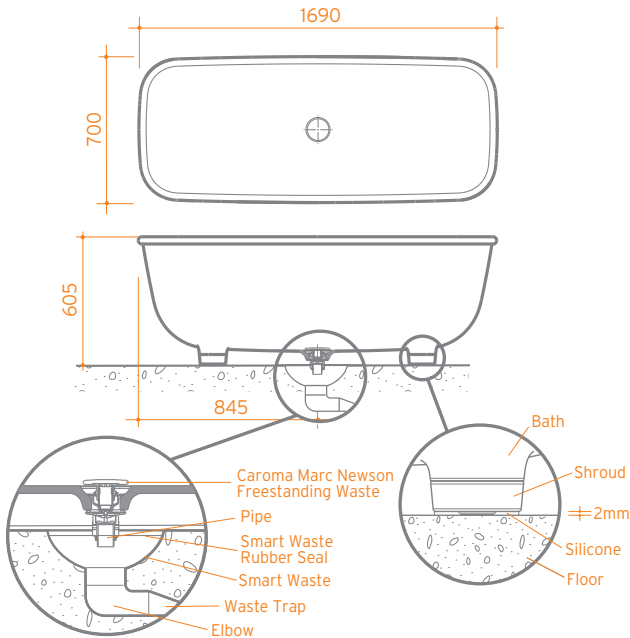
**fixing:** The underside of the basin rim must be sealed to the counter top with an acetic cured silicone sealant. Epoxy type glues must not be used. The basin is supplied with a template which must be used for the counter top cut-out.

**dimensions:** All dimensions are in millimetres and are subject to normal manufacturing variations. Caroma pursues a policy of continuing improvement in design and performance of its products. The right is therefore reserved to vary specifications without notice.

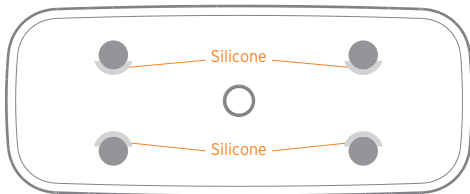




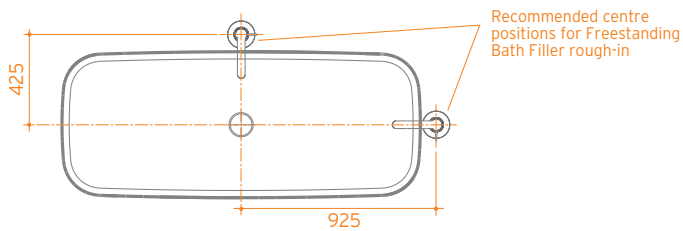
### Smart Waste Installation



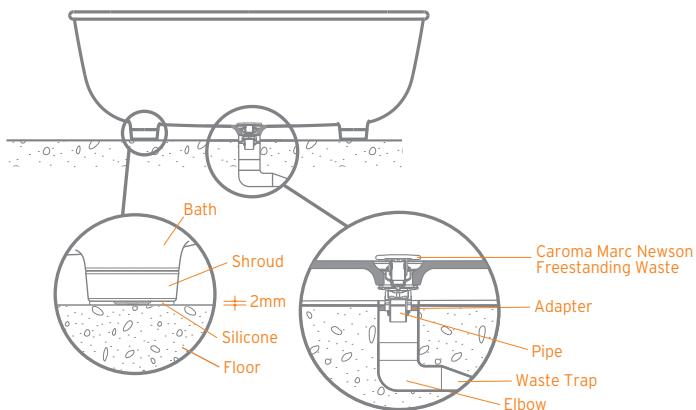
### For both installation methods



Silicone on the inside of the foot to secure bath in position



### Straight Through Installation



## freestanding bath

Crafted from CRISTALPLANT® for a matte, stone-like finish and long, stylish life. Soft to the touch, non-porous, hygienic and restorable. Adjustable feet and an integrated pop-up waste with CRISTALPLANT® waste cap combine beauty with function.

**size:** 1690mm long x 700mm wide x 605mm deep  
Standard Code No.CMN8W.

**colour:** White only

**durability:** CRISTALPLANT® is an advanced composite material that is non-porous, hygienic, durable and easy to clean. It is homogeneous throughout its thickness, making the material restorable. Refer to Caroma Marc Newson Freestanding Bath Care & Installation Guide for further information.

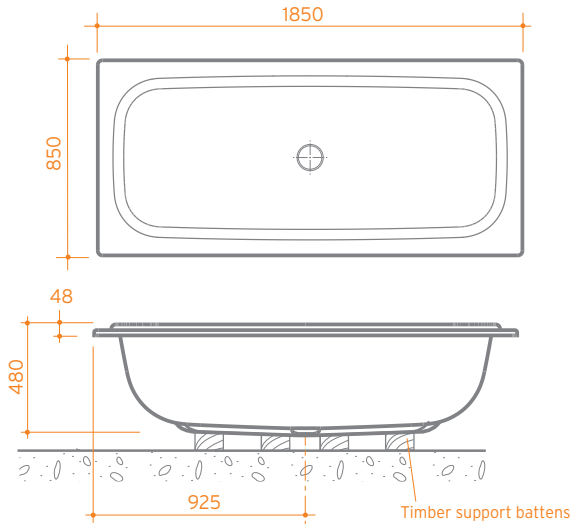
**waste outlet:** Caroma Marc Newson freestanding bath comes with a special designer waste assembly.

**bath capacity:** 405 litres

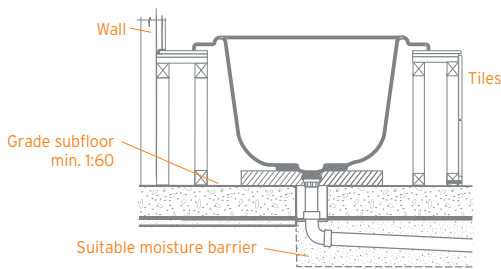
**installation:** The bath is suitable for Caroma Marc Newson freestanding bath installations. Refer to Caroma Marc Newson Freestanding Bath Care & Installation Guide for further information.

**dimensions:** All dimensions are in millimetres and are subject to normal manufacturing variations. Caroma pursues a policy of continuing improvement in design and performance of its products. The right is therefore reserved to vary specifications without notice.

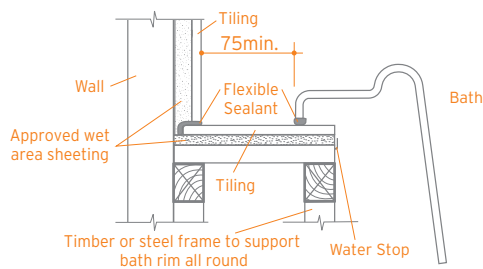




On the indicator lines, position and fix timber supports to base of the bath and floor with an approved floor and wall panelling adhesive or equivalent adhesive to provide a neat fit support. Ensure the rim of the bath is levelled during this procedure.



#### Island Installation for hob mounted bath



**IMPORTANT:** Refer to Local Authority for minimum setout from wall

**IMPORTANT:** Local Authorities have varying installation requirements, check with Authority or your Caroma representative for further details.

### island bath

A luxurious addition to any bathroom, this deep soak tub is made from sanitaryware grade acrylic and features an integrated pop-up waste with acrylic waste cap. It's an affordable indulgence.

**size:** 1850mm long x 850mm wide x 480mm deep  
Standard Code No.CMN8ISW.

**colour:** White only

**durability:** Sanitaryware grade acrylic resists chipping, will not rust and has excellent heat retention properties. Its high gloss finish has natural slip resistance. Minor scratch marks can be removed with gentle metal polishes, such as Brasso.

**waste outlet:** Caroma Marc Newson Island bath comes with a special designer waste assembly.

**bath capacity:** 345 litres

**installation:** The bath is suitable for island installations.

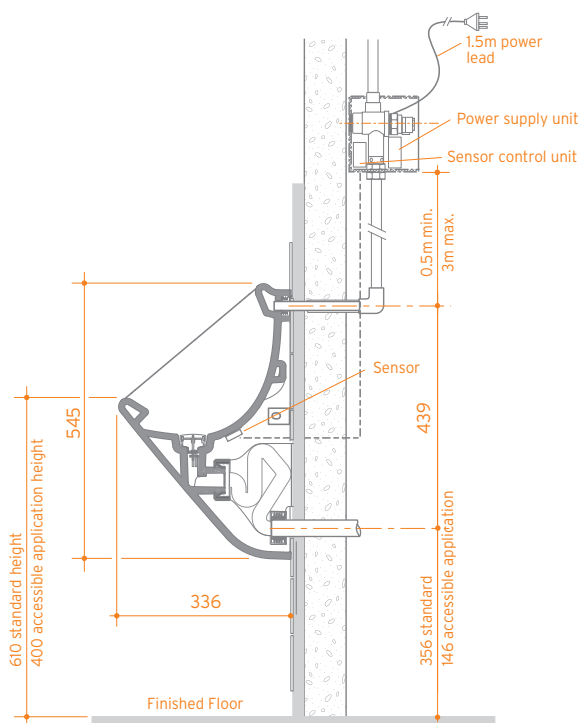
The bath is supported around its rim and the base is supported with timber base supports. Refer to Caroma Marc Newson Acrylic Island Bath Care & Installation Guide for further information.

**dimensions:** All dimensions are in millimetres and are subject to normal manufacturing variations. Caroma pursues a policy of continuing improvement in design and performance of its products. The right is therefore reserved to vary specifications without notice.





### Induct Installation



### electronic urinal suite

Sleek lines are designed to blend effortlessly into any commercial or domestic environment. Clever design perfectly complements the intelligent technology in Caroma's Smart Demand flush system.

**inlet:** Back inlet for concealed nominal 20mm diameter sparge pipe and compression rubber fitting.

**outlet:** The urinal siphonic trap is connected to a wall waste pipe which allows for a simple push on urinal connection.

**inwall:** Automatic urinal flush system suitable for minimum cavity thickness of 100mm.

**induct:** Automatic urinal flush system.

**in ceiling:** Automatic urinal flush system.

**electronic urinal suite:** Wall mounted electronic urinal suite Code No.678661 and CMN678665W.

**waste:** Stainless steel vandal resistant grate supplied as standard.

**flush control mechanism:** Smart demand 'Urine Sensing' operation with an integrated smart logic system, detects user and determines flush mode accordingly. The flush duration is adjustable to allow for the accurate determination of flush volume at varying pressures. Stadium operation: 5 or more uses within a time period of three minutes = 1 flush/minute. Automatically reverts to normal usage at non peak periods.

**hygienic flush:** Hygienic flush every 24 hours prevents the trap seal from drying out.

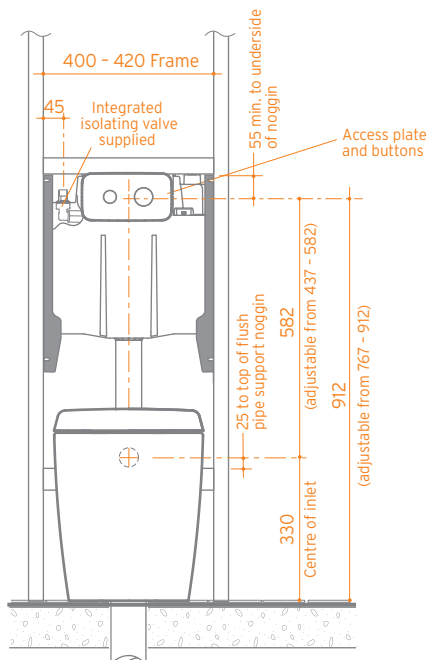
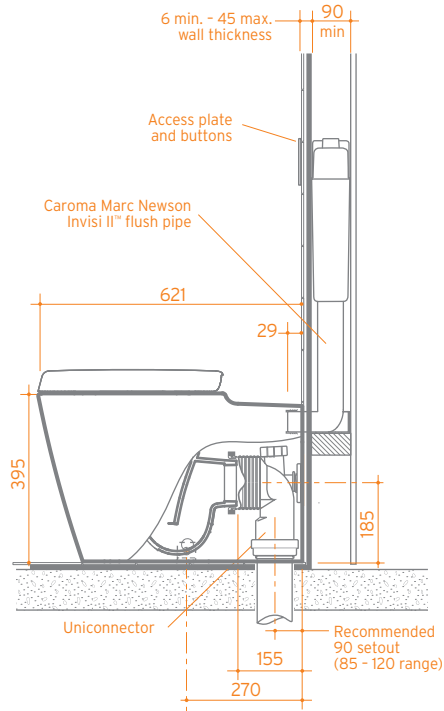
**electronic valve:** The operating voltage of the valve is 6 volts DC. The operation flow pressure of the valve is 300 to 500kPa (30 to 50 metres head) with a minimum flow to the valve of 18 litres/minute. The valve incorporates an integral airbreak system and stop cock.

**electronics:** Supply voltage to the system is 240V AC 50Hz. Operating current 6 volts DC.

**installation:** For general connection install a plug socket 240V AC adjacent to the control box to local code requirements. Provide conduit without kinks to connect the sensor cable to the control box. 3.5m of sensor cable supplied as standard. Minimum supply diameter of nominal 20mm is required to the valve. The urinal must be installed in accordance with the AS/NZS 3500 Plumbing requirements. Local Authorities have varying requirements.

**dimensions:** All dimensions are in millimetres and are subject to normal manufacturing variations. Caroma pursues a policy of continuing improvement in design and performance of its products. The right is therefore reserved to vary specifications without notice.





## wall faced Invisi II™ toilet suite

Uncomplicated in its style and function, this suite boasts lines that meld almost seamlessly into the wall and floor. The minimalist design perfectly complements any commercial or domestic setting.

**colours:** White only

**pan:** Caroma Marc Newson Smartflush 4.5 litre full flush box rim pan.

**traps:** Universal trap for S or P-trap installations.

**cisterns:** Caroma Marc Newson Invisi II™ Smartflush Cistern - suitable for inwall, under counter, induct and in ceiling applications.

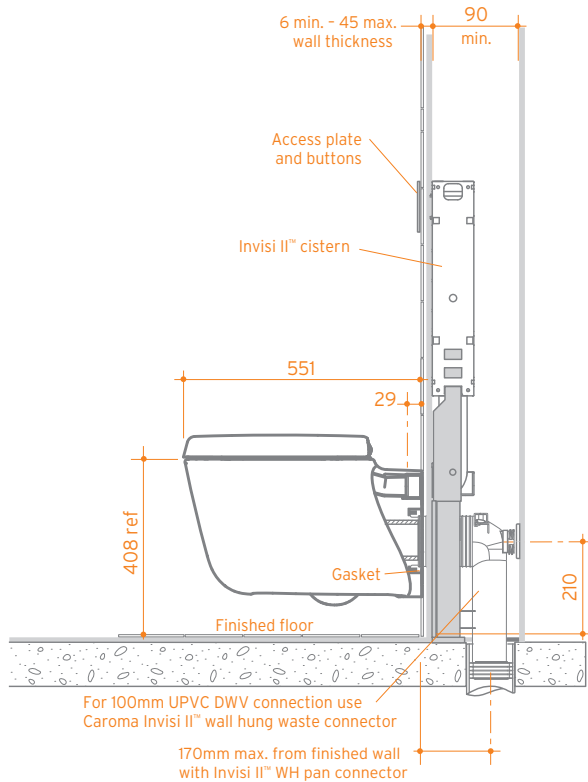
**fixing:** Pan is supplied with D.80 Concealed Pan Fixing Bracket. Cistern is simply mounted into position by clipping onto the two quick clip mounting brackets which are secured with screws to the studwork or induct brickwork. Cistern brackets and flush pipe supplied.

**seats:** Includes Caroma Marc Newson Soft Close seat.

**installation:** The installation of the toilet suite shall be in accordance with the normal minimum drainline grade requirements in AS/NZS 3500.2.

**dimensions:** All dimensions are in millimetres and are subject to normal manufacturing variations. Caroma pursues a policy of continuing improvement in design and performance of its products. The right is therefore reserved to vary specifications without notice.





## wall hung Invisi II™ toilet suite

Marc Newson's streamlined shape remains pure thanks to cleverly concealed wall mountings. The smooth lines not only look elegant, they are functional, making the toilet easy to clean and maintain.

**colour:** White only

**pan:** Caroma Marc Newson Smartflush 4.5 litre full flush box rim wall hung pan.

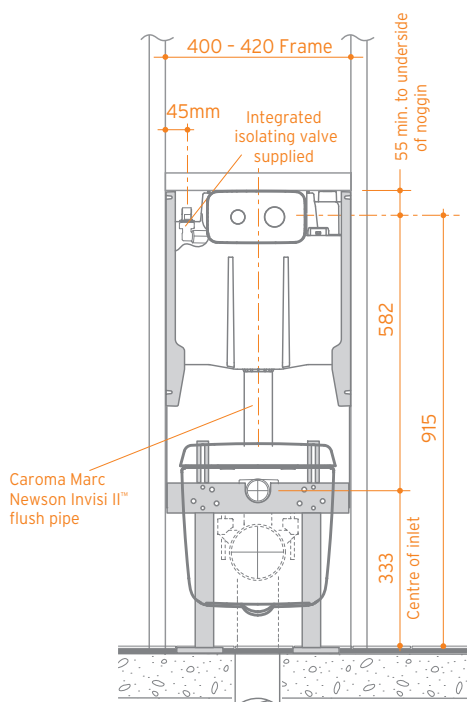
**traps:** P-trap only

**cisterns:** Caroma Marc Newson Invisi II™ Smartflush Cistern - suitable for inwall and induct applications.

**fixing:** Pan: Fixing bracket is supplied with the toilet suite, options include - Inwall bracket for concrete floors and stud walls, (D402) suitable for inwall, induct and in ceiling applications. Inwall bracket for structural brick walls (D788). Note: The bracket systems are suitable for installation only where non compressible wall materials are used. Cistern: The cistern and bracket for the inwall Invisi II™ system is pre-assembled and is supplied with the flush pipe and a waste pipe suitable for installation in a 90mm cavity wall. Structural brick wall system require the cistern to be fixed to the wall. For in wall applications with raised height cisterns an extension kit is provided with the kit.

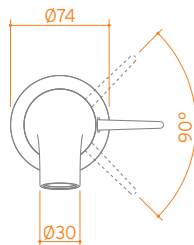
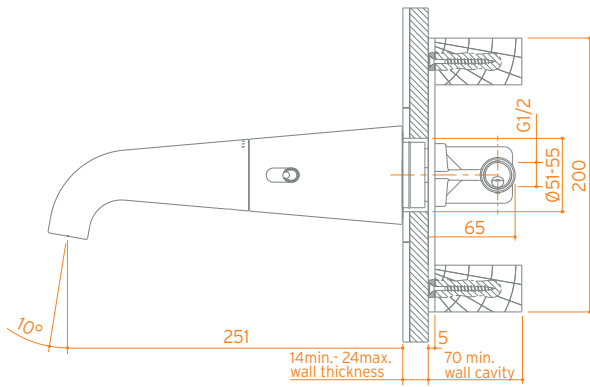
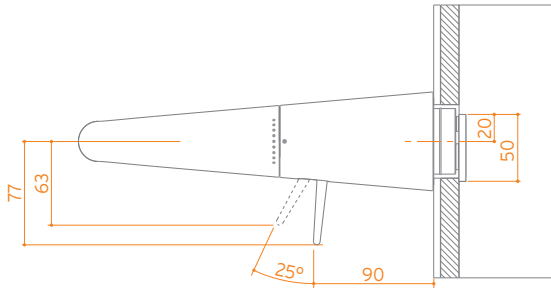
**seats:** Includes Caroma Marc Newson Soft Close seat.

**dimensions:** All dimensions are in millimetres and are subject to normal manufacturing variations. Caroma pursues a policy of continuing improvement in design and performance of its products. The right is therefore reserved to vary specifications without notice.









## wall bath mixer

Caroma's patented wall mounting system allows tapware to extend directly from the wall without the need for a cover plate. The design features unique lever and swivel operation.

**product code:** CMN92002C

**finish:** Chrome plated

**features:** 35mm fully adjustable cartridge with temperature limiting device, concealed anti-vandal aerator, unique lever and body swivel operation.

**technical data:** Reach (wall to centre): 250mm  
Wall base diameter:  $\varnothing 74$ mm

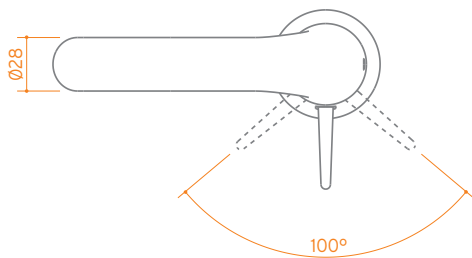
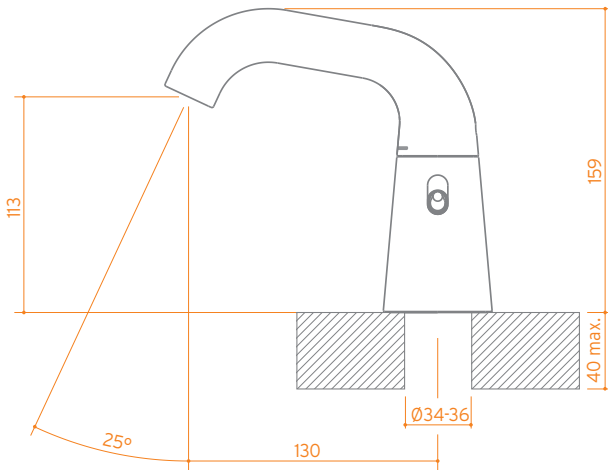
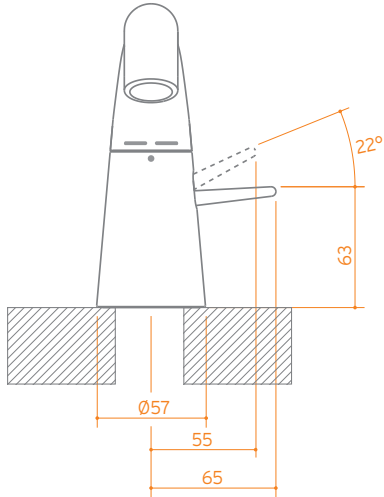
**pressure requirements:** Hot and cold water inlet pressures should be equal, static inlet pressure range: 150-1000kPa, New Regulation: 500kPa maximum static pressure at any outlet within a building. (Ref AS/NZS 3500.1 - 2003, Clause 3.3.4)

**temperature requirements:** Maximum hot water temperature 80°C

**installation:** Patented inwall mounting system. Components supplied with mixer for rough-in. For installation details refer to website [caromamarcnewson.com](http://caromamarcnewson.com)

**dimensions:** All dimensions are in millimetres and are subject to normal manufacturing variations. Caroma pursues a policy of continuing improvement in design and performance of its products. The right is therefore reserved to vary specifications without notice.





## basin mixer

Featuring unique lever and swivel operation for a minimalist look, this mixer is designed as the ideal complement to the range of basins in the Caroma Marc Newson collection.

**product code:** CMN92000C5A

**finish:** Chrome plated

**features:** 25mm cartridge, concealed anti-vandal aerator, unique lever and body swivel operation.

**technical data:** Height: 159mm

Clearance (base to aerator): 113mm

Reach (centre to centre): 130mm

Maximum Deck Thickness: 40mm

Tap Body Hole:  $\text{Ø}34-36\text{mm}$

**WELS rating:** WELS 5 Star, 6L/min

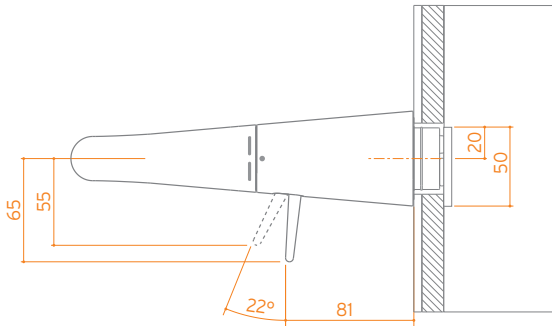
**pressure requirements:** Hot and cold water inlet pressures should be equal, static inlet pressure range: 150-1000kPa  
New Regulation: 500kPa maximum static pressure at any outlet within a building. (Ref AS/NZS 3500.1 - 2003, Clause 3.3.4)

**temperature requirements:** Maximum hot water temperature 80°C

**installation:** For installation details refer to website [caromamarcnewson.com](http://caromamarcnewson.com)

**dimensions:** All dimensions are in millimetres and are subject to normal manufacturing variations. Caroma pursues a policy of continuing improvement in design and performance of its products. The right is therefore reserved to vary specifications without notice.





### wall basin mixer

Caroma's patented wall mounting system allows the mixer to sit directly on the wall without a cover plate. Combined with unique lever and swivel operation, functional ease meets minimalist design.

**product code:** CMN92001C5A

**finish:** Chrome plated

**features:** 25mm cartridge, concealed anti-vandal aerator, unique lever and body swivel operation.

**technical data:** Reach: 203mm  
Wall base diameter: Ø60mm

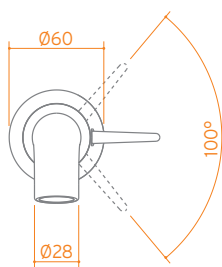
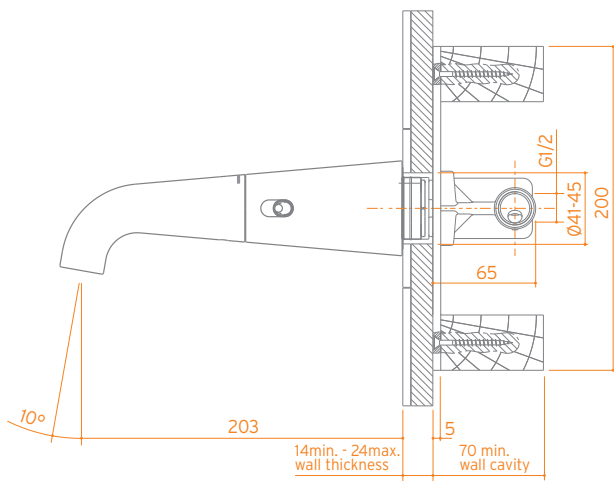
**WELS rating:** WELS 5 Star, 6L/min

**pressure requirements:** Hot and cold water inlet pressures should be equal, static inlet pressure range: 150-1000kPa, New Regulation: 500kPa maximum static pressure at any outlet within a building. (Ref AS/NZS 3500.1 - 2003, Clause 3.3.4)

**temperature requirements:** Maximum hot water temperature 80°C

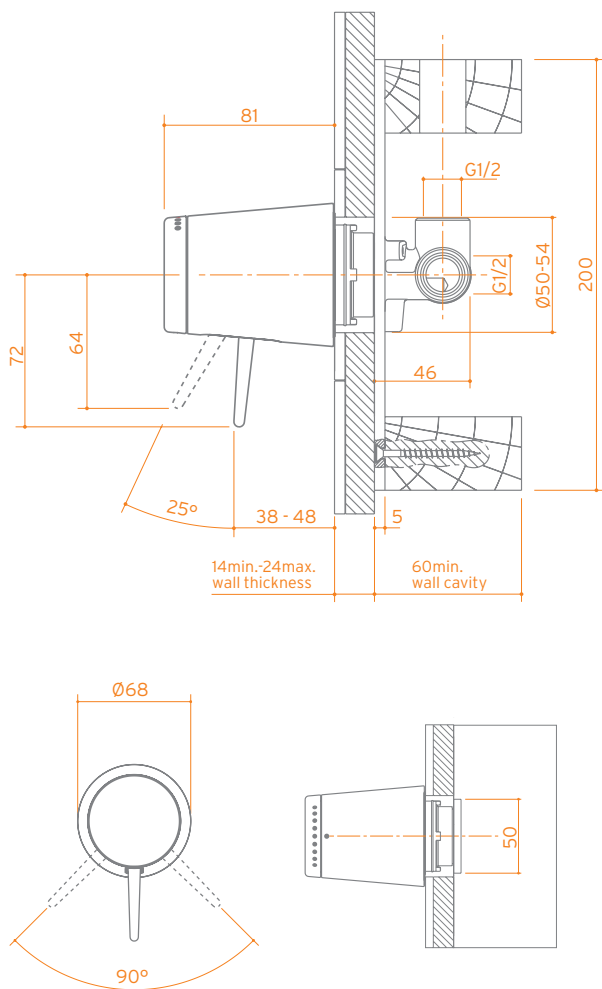
**installation:** Patented inwall mounting system. Components supplied with mixer for rough-in. For installation details refer to website [caromamarcnewson.com](http://caromamarcnewson.com)

**dimensions:** All dimensions are in millimetres and are subject to normal manufacturing variations. Caroma pursues a policy of continuing improvement in design and performance of its products. The right is therefore reserved to vary specifications without notice.









## shower mixer

The design seems to float on the wall thanks to Caroma's patented cover-plate free mounting system. Combined with unique lever and swivel operation, functional ease meets minimalist design.

**product code:** CMN92003C

**finish:** Chrome plated

**features:** 35mm fully adjustable cartridge with temperature limiting device, concealed anti-vandal aerator, unique lever and body swivel operation.

**technical data:** Wall base diameter: Ø68mm

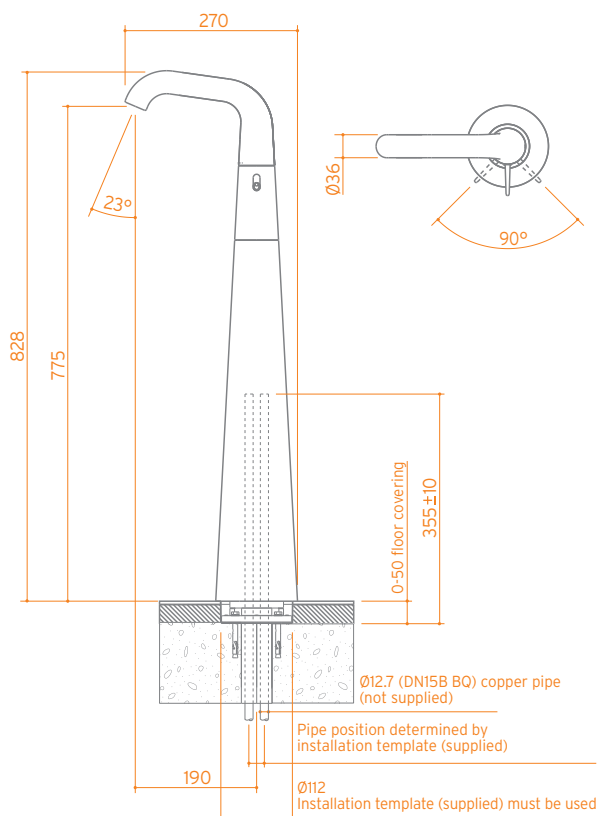
**pressure requirements:** Hot and cold water inlet pressures should be equal, static inlet pressure range: 150-1000kPa, New Regulation: 500kPa maximum static pressure at any outlet within a building. (Ref AS/NZS 3500.1 - 2003, Clause 3.3.4)

**temperature requirements:** Maximum hot water temperature 80°C

**installation:** Patented inwall mounting system. Components supplied with mixer for rough-in. For installation details refer to website [caromamarcnewson.com](http://caromamarcnewson.com)

**dimensions:** All dimensions are in millimetres and are subject to normal manufacturing variations. Caroma pursues a policy of continuing improvement in design and performance of its products. The right is therefore reserved to vary specifications without notice.





## freestanding bath filler

Combining streamlined lines with the strength to handle the everyday, this statement piece features unique lever and swivel operation. A fully adjustable mounting system ensures a solid stance on all surfaces.

**product code:** CMN92010C

**finish:** Chrome plated

**features:** 35mm fully adjustable cartridge with temperature limiting device, unique lever and body swivel operation, unique floor mounting system allowing 360° rotational positioning during installation, suits variable tile thickness.

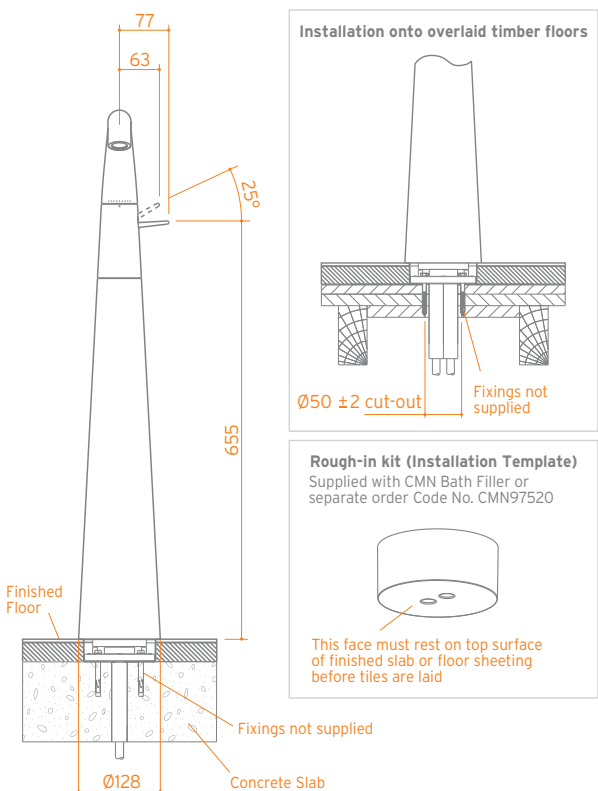
**technical data:** Height: 828mm  
Clearance (base to aerator): 775mm  
Reach (centre to centre) : 190mm

**pressure requirements:** Hot and cold water inlet pressures should be equal, static inlet pressure range: 150-1000kPa, New Regulation: 500kPa maximum static pressure at any outlet within a building. (Ref AS/ NZS 3500.1 - 2003, Clause 3.3.4)

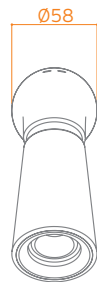
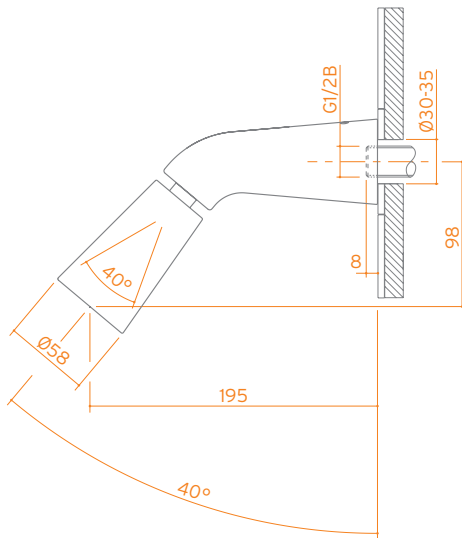
**temperature requirements:** Maximum hot water temperature 80°C

**installation:** Specialised floor mounting arrangement. Rough-in kit supplied with product and also available for order separately (CMN97520 code). For installation details refer to website [caromamarcnewson.com](http://caromamarcnewson.com)

**dimensions:** All dimensions are in millimetres and are subject to normal manufacturing variations. Caroma pursues a policy of continuing improvement in design and performance of its products. The right is therefore reserved to vary specifications without notice.







## fixed wall shower

Fixing directly to the wall without the need for a cover plate – thanks to Caroma's patented mounting system – Marc Newson's timeless design delivers a vibrant burst of colour to any bathroom.

**product code:** CMN92004C3A - chrome/orange  
CMN92004CB3A - chrome/black  
CMN92004CW3A - chrome/white

**finish:** Chrome plated

**colour:** Available in orange, black and white.

**features:** SURE FIT® installation, adjustable shower head for flexibility, easy retro-fit installation.

**technical data:** Shower head diameter: Ø58mm  
Wall base diameter: Ø58mm

**WELS rating:** WELS 3 Star, 9L/min

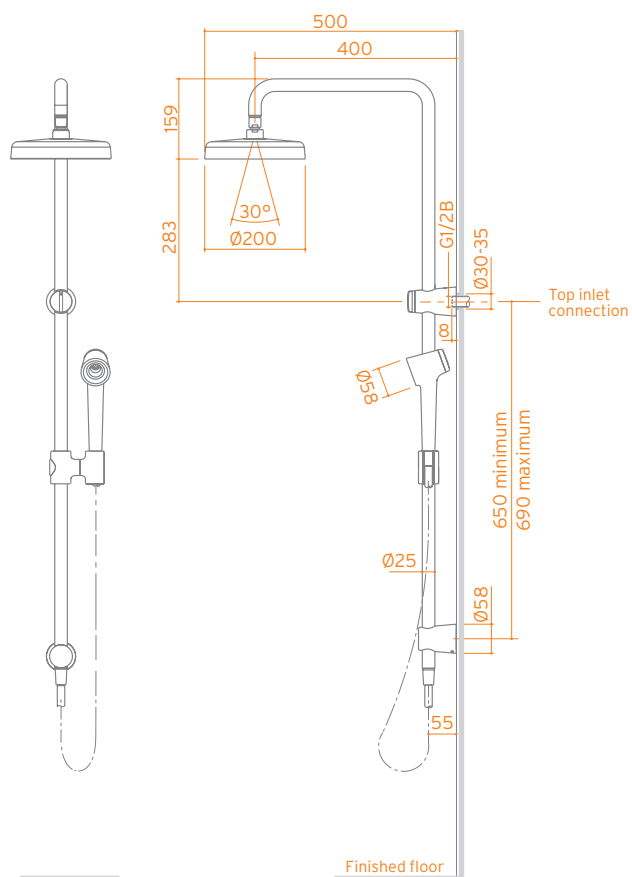
**pressure requirements:** Hot and cold water inlet pressures should be equal, static inlet pressure range: 150-1000kPa, New Regulation: 500kPa maximum static pressure at any outlet within a building. (Ref AS/NZS 3500.1 - 2003, Clause 3.3.4)

**temperature requirements:** Maximum hot water temperature 80°C

**installation:** For installation details refer to website [caromamarcnewson.com](http://caromamarcnewson.com)

**dimensions:** All dimensions are in millimetres and are subject to normal manufacturing variations. Caroma pursues a policy of continuing improvement in design and performance of its products. The right is therefore reserved to vary specifications without notice.





## rail shower with overhead

Combining the dual functions of an overhead shower with a separate hand shower, this system also features the signature colour highlights of the Caroma Marc Newson shower collection.

**product code:** CMN92008C3A - chrome/orange  
 CMN92008CB3A - chrome/black  
 CMN92008CW3A - chrome/white

**finish:** Chrome plated

**colour:** Available in orange, black and white.

**features:** Push button hand shower slider for height adjustment with pivoting feature for positional adjustment, smooth shower hose for easy cleaning with swivel joint for manoeuvrability, silicone nipples on overhead shower for easy cleaning, swivel overhead shower for added flexibility, intuitive diverter marking allowing adjustment between overhead and hand shower, SURE FIT® installation, top inlet suitable for retrofit installation, adjustable bottom fixing for flexible installation, fitted with dual check valves.

**technical data:** Shower head diameter: Ø200mm  
 Reach (wall to centre): 400mm  
 Hand shower head diameter : Ø58mm  
 Hose length: 1500mm

**WELS rating:** WELS 3 Star, 9L/min

**pressure requirements:** Hot and cold water inlet pressures should be equal, static inlet pressure range: 150-1000kPa, New Regulation: 500kPa maximum static pressure at any outlet within a building. (Ref AS/NZS 3500.1 - 2003, Clause 3.3.4)

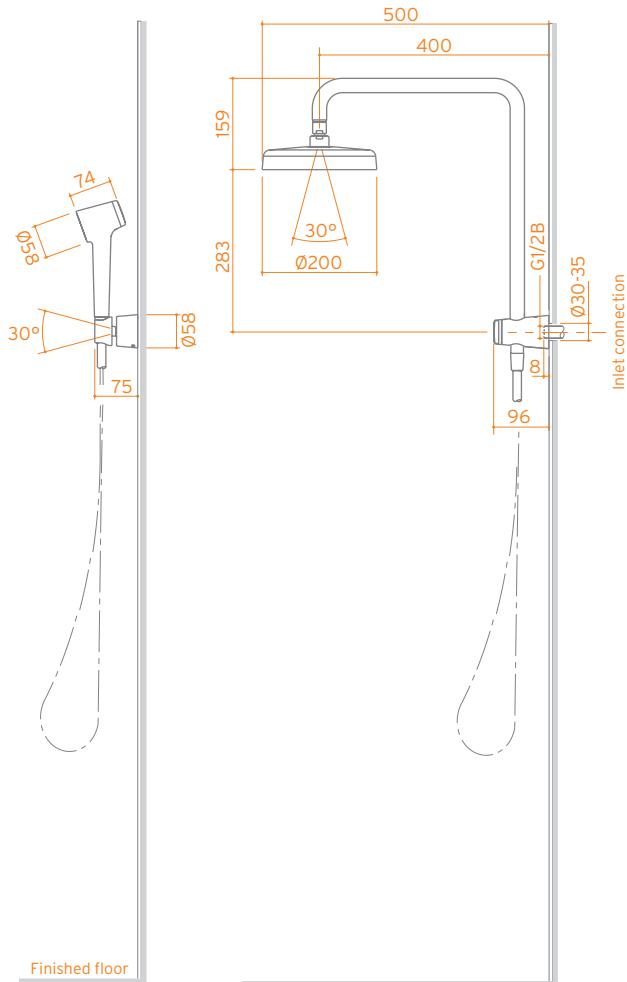
**temperature requirements:** Maximum hot water temperature 80°C

**installation:** For installation details refer to website [caromamarcnewson.com](http://caromamarcnewson.com)

**dimensions:** All dimensions are in millimetres and are subject to normal manufacturing variations. Caroma pursues a policy of continuing improvement in design and performance of its products. The right is therefore reserved to vary specifications without notice.







## shower system

Combining the dual functions of an overhead shower with a separate hand shower, this system also features the shower mixer and signature colour highlights of the Caroma Marc Newson shower collection.

**product code:** CMN92009C3A - chrome/orange  
 CMN92009CB3A - chrome/black  
 CMN92009CW3A - chrome/white

**finish:** Chrome plated

**colour:** Available in orange, black and white.

**features:** Smooth shower hose with swivel joint for easy cleaning and manoeuvrability, silicone nipples on overhead shower for easy cleaning, swivel overhead for added flexibility, diverter allowing adjustment between overhead and hand shower, hand shower holder features swivel adjustment, SURE FIT® installation, fitted with dual check valves, system includes shower mixer.

**technical data:** Shower head diameter: Ø200mm  
 Reach (wall to centre): 400mm  
 Hand shower head diameter: Ø58mm  
 Hose length: 1500mm

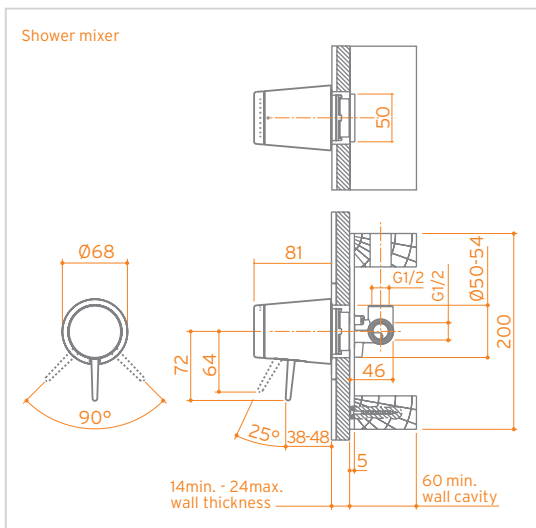
**WELS rating:** WELS 3 Star, 9L/min

**pressure requirements:** Hot and cold water inlet pressures should be equal, static inlet pressure range: 150-1000kPa, New Regulation: 500kPa maximum static pressure at any outlet within a building. (Ref AS/NZS 3500.1 - 2003, Clause 3.3.4)

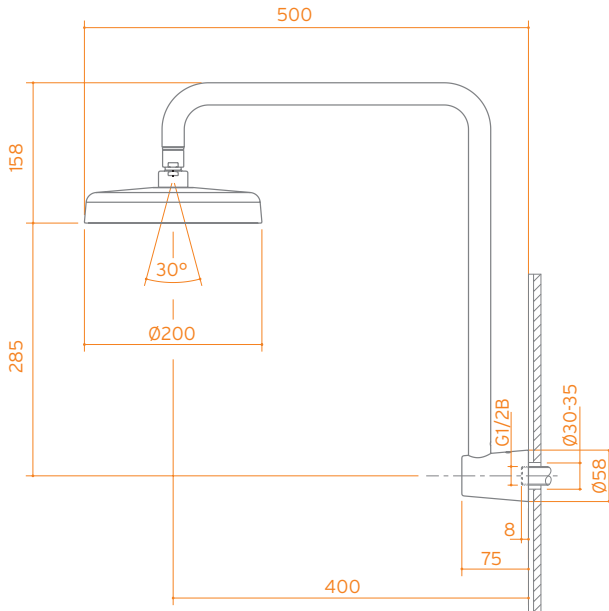
**temperature requirements:** Maximum hot water temperature 80°C

**installation:** For installation details refer to website [caromamarcnewson.com](http://caromamarcnewson.com)

**dimensions:** All dimensions are in millimetres and are subject to normal manufacturing variations. Caroma pursues a policy of continuing improvement in design and performance of its products. The right is therefore reserved to vary specifications without notice.







### fixed wall overhead shower

A streamlined classic, Caroma's patented mounting system eliminates the need for a wall cover plate. The vibrant flash of colour is a signature of the Caroma Marc Newson shower collection.

**product code:** CMN92005C3A - chrome/orange  
CMN92005CB3A - chrome/black  
CMN92005CW3A - chrome/white

**finish:** Chrome plated

**colour:** Available in orange, black and white.

**features:** Silicone nipples on overhead shower for easy cleaning, swivel overhead for added flexibility, SURE FIT® installation.

**technical data:** Shower head diameter: Ø200mm  
Reach (wall to centre): 400mm

**WELS rating:** WELS 3 Star, 9L/min

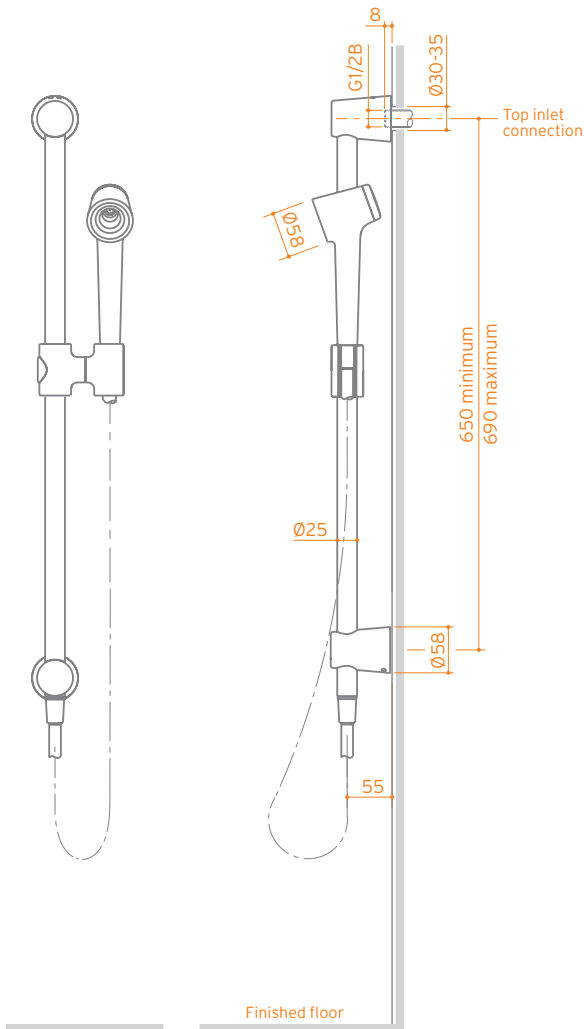
**pressure requirements:** Hot and cold water inlet pressures should be equal, static inlet pressure range: 150-1000kPa, New Regulation: 500kPa maximum static pressure at any outlet within a building. (Ref AS/NZS 3500.1 - 2003, Clause 3.3.4)

**temperature requirements:** Maximum hot water temperature 80°C

**installation:** For installation details refer to website [caromamarcnewson.com](http://caromamarcnewson.com)

**dimensions:** All dimensions are in millimetres and are subject to normal manufacturing variations. Caroma pursues a policy of continuing improvement in design and performance of its products. The right is therefore reserved to vary specifications without notice.





## rail shower

Inject an unexpected hit of colour into any bathroom with this adjustable rail shower. Featuring simple push-button functionality along with bright highlights on classic chrome.

**product code:** CMN92007C3A - chrome/orange  
CMN92007CB3A - chrome/black  
CMN92007CW3A - chrome/white

**finish:** Chrome plated

**colour:** Available in orange, black and white.

**features:** Push button hand shower slider for height adjustment with pivoting feature for positional adjustment, smooth shower hose with swivel joint for easy cleaning and manoeuvrability, SURE FIT® installation, top inlet suitable for retrofit installation, adjustable bottom fixing for flexible installation, fitted with dual check valves.

**technical data:** Hand shower head diameter: Ø58mm  
Hose length: 1500mm  
Wall base diameter: Ø58mm

**WELS rating:** WELS 3 Star, 9L/min

**pressure requirements:** Hot and cold water inlet pressures should be equal, static inlet pressure range: 150-1000kPa, New Regulation: 500kPa maximum static pressure at any outlet within a building. (Ref AS/NZS 3500.1 - 2003, Clause 3.3.4)

**temperature requirements:** Maximum hot water temperature 80°C

**installation:** For installation details refer to website [caromamarcnewson.com](http://caromamarcnewson.com)

**dimensions:** All dimensions are in millimetres and are subject to normal manufacturing variations. Caroma pursues a policy of continuing improvement in design and performance of its products. The right is therefore reserved to vary specifications without notice.







While all Caroma Industries Limited ("Caroma") products are manufactured to the highest standard, in addition to the guarantees provided under the Australian Consumer Law (Schedule 2 to the Competition and Consumer Act 2010 (Cth) ("ACL"), we offer varying extended warranty periods (please refer to below table) from the date of purchase or handover that our Products are free from all defects in materials and workmanship, subject to the terms and conditions that follow, for additional peace of mind. We are committed to upholding our position as Australia's leading Quality Supplier, Technical Support & Customer Service Team, with a dedicated and proven service network striving for ultimate customer satisfaction.

For all After Sales & Service enquiries please contact GWA Bathrooms & Kitchens on **13 14 16**.

### Sanitaryware

Range	Warranty	Comments
<b>Caroma Marc Newson</b>		
Basins	7/1 Years	7 years replacement product 1 year parts and labour
Toilet Suites (All Cisterns & Pans)	7/1 Years	7 years replacement product 1 year parts and labour
Seats	1 Year	1 year replacement product or parts
Urinals	7/1 Years	7 years replacement product 1 year parts and labour
Accessories & Spare Parts	1 Year	1 year replacement product or parts

### Baths

Range	Warranty	Comments
<b>Caroma Marc Newson</b>		
Baths	10/1 Years	10 years bath shell & 1 year labour
Chrome Fittings	10/1 Years	10 years parts or product & 1 year labour
Accessories & Spare Parts	1 Year	1 year replacement parts or product

### Taps, Outlets, Mixers, Showers, Bathroom Accessories

Range	Warranty	Comments
<b>Caroma Marc Newson</b>		
Taps, Outlets, Mixers, Showers	10/7/1 Years	10 years ceramic disc cartridges - parts only* 7 years replacement product or parts† 1 year replacement products or parts & labour†
Accessories & Spare Parts	1 Year	1 year replacement product or parts e.g. towel rails, tooth brush & toilet roll holders, soap holders etc.



This extended warranty only covers Caroma Industries Limited ("Caroma") products, including Epure Lifetime™ and Clark Lifetime™ products (collectively "Products"), and does not extend to products which you have selected outside our Product range.

This extended warranty only applies to defects which have arisen solely from faulty materials or workmanship in the Products and does not apply to other defects which may have arisen as a result of, without limitation, the following: accidental damage, abuse, misuse, maltreatment, abnormal stress or strain, harsh or adverse weather conditions, including excessive water pressure or temperature, or neglect of any kind of the Products. Alterations and repairs of the Products other than by an accredited and licensed service agent or technician are not covered. For the avoidance of doubt, attachment of accessories or use of non-genuine replacement parts other than those manufactured or approved by Caroma are not covered by this extended warranty.

This extended warranty for the Products commences from date of purchase or for new buildings on the date of handover for the relevant period set out in the warranty periods table.

In addition to this extended warranty, certain legislation (including the ACL) may give you certain rights which cannot be excluded, restricted or modified, this extended warranty must be read subject to such legislation and nothing in this warranty has the effect of excluding, restricting or modifying those rights.

### Warranty Claims

To make a warranty claim, the following documentation must be posted or faxed to Caroma (contact details listed below):

- Proof of Purchase ("POP").
- Handover documentation for new homes.
- Warranty Certificate or equivalent documentation must be supplied for warranty claims to be considered.
- Your contact details.

If the Product has not been installed, the Product can be returned with POP, to the place of purchase. If the cost of returning any defective parts is unreasonable, please contact Caroma on the telephone number listed below so that, if appropriate, we can arrange a collection.

#### **Caroma Industries Limited contact details are as follows:**

GWA Bathrooms & Kitchens  
Building C, Level 2, 4 Ray Road, Epping NSW 2121  
Phone: 13 14 16  
Fax: 1800 818 346  
enquiries@caroma.com.au

**NOTE:** The extended warranty only applies to the original owner and is not transferable.

Should any warranty claim be made and attended to by a Caroma authorised Service Agent and that in the opinion of the Service Agent or Caroma, the problem was from faulty installation or use of the Products in conjunction with products of another manufacturer or from some other cause other than a manufacturing defect of the goods for which Caroma is responsible. Caroma Industries Limited reserves the right to charge a service fee for each service staff attending the premises where Products have been installed.

As part of Caroma's commitment to continuous improvement, Caroma reserves the right to make changes to its Products at any time.

Caroma requires adequate access to Products, fittings and fixtures to undertake extended warranty repairs. Caroma will not be responsible for any consequential damage or costs where adequate access to Product fittings & fixtures is not accessible.

Caroma reserves the right to provide minor components as 'Parts Only' to the customer.

---

## Consequential loss

To the extent permitted by law, Caroma will not be liable for any loss or damage to furniture, floor coverings, walls, fixtures or any other consequential loss of any kind caused by any defect in the Products or components.

### **This Extended Warranty shall be void for the following reasons:**

1. A customer's inability to provide POP or equivalent documentation.
2. If:
  - Products are not installed by a licensed plumber and/or electrician.
  - Products are not installed to relevant National Standards and State Regulations.
  - Products are not installed in accordance with the manufacturer's installation instructions.
  - Water pressures and or temperatures that exceed stated limitations as per the product installation instructions.  
Note: AS/NZS 3500.1-2003 (Clause 3.3.4) specifies 500kPa maximum water supply pressure at any outlet within a building for new installations. Note: The 500kPa maximum water supply pressure doesn't apply to fire service outlets.
  - Isolation stop taps are not fitted as stated on manufacturer's installation instructions.
  - Fitting of other devices to the outlet of tapware (e.g. Water filters).
  - Fitting of Caroma non-approved in tap body or end of line water flow regulating devices.
  - Products used with water additives i.e. Cleaning & or deodorising additives in cisterns.
  - Fair wear and tear, such as the working seals in the inlet and outlet valves, including scratching from cleaning etc.
  - Inappropriate or non-approved connection fittings connecting Products to sewer.
  - Non written approved modifications to the Products.
  - Products used for incorrect applications, non-potable water etc.
  - Damage as a result of obstructions due to inadequate flushing of system before use and problems caused by water supply (including silt, corrosion and excess water pressure).
  - Failure to regularly clean or replace dirty or blocked outlet aerator inserts in tapware and/or shower heads etc.
  - Service or repairs with non-standard replacement parts previously undertaken without Caroma written approval.
  - Non-installation of flow regulator in tapware and showers or regulated check valve or check valves in hand showers or veggio mixers.
  - Damage to finishes by adhesives, sealants or abrasive cleaners etc.
  - Damage to finishes which arise from installation or post installation use.
  - Damage due to abuse as determined by authorised Service Agent or Caroma.
  - Failure to observe manufacturers care and cleaning instructions.
  - The extended warranty work is limited to the pre-approved scope of work that will be set out in a work order.  
Additional work will require authorisation from Caroma.

Except to the extent that a customer can demonstrate that at the time of purchase the product was faulty or defective and at that time the customer was not aware of such fault or defect.

**Note:** It is the installer/consumers responsibility to ensure:

- Product is not damaged prior to installation.
- They are happy with their purchase.
- The product has all of its components.
- Required maintenance is performed.

**Our Products come with guarantees that cannot be excluded under the Australian Consumer Law.**

**You are entitled to a replacement or refund for a major failure and compensation for any other loss or damage.**

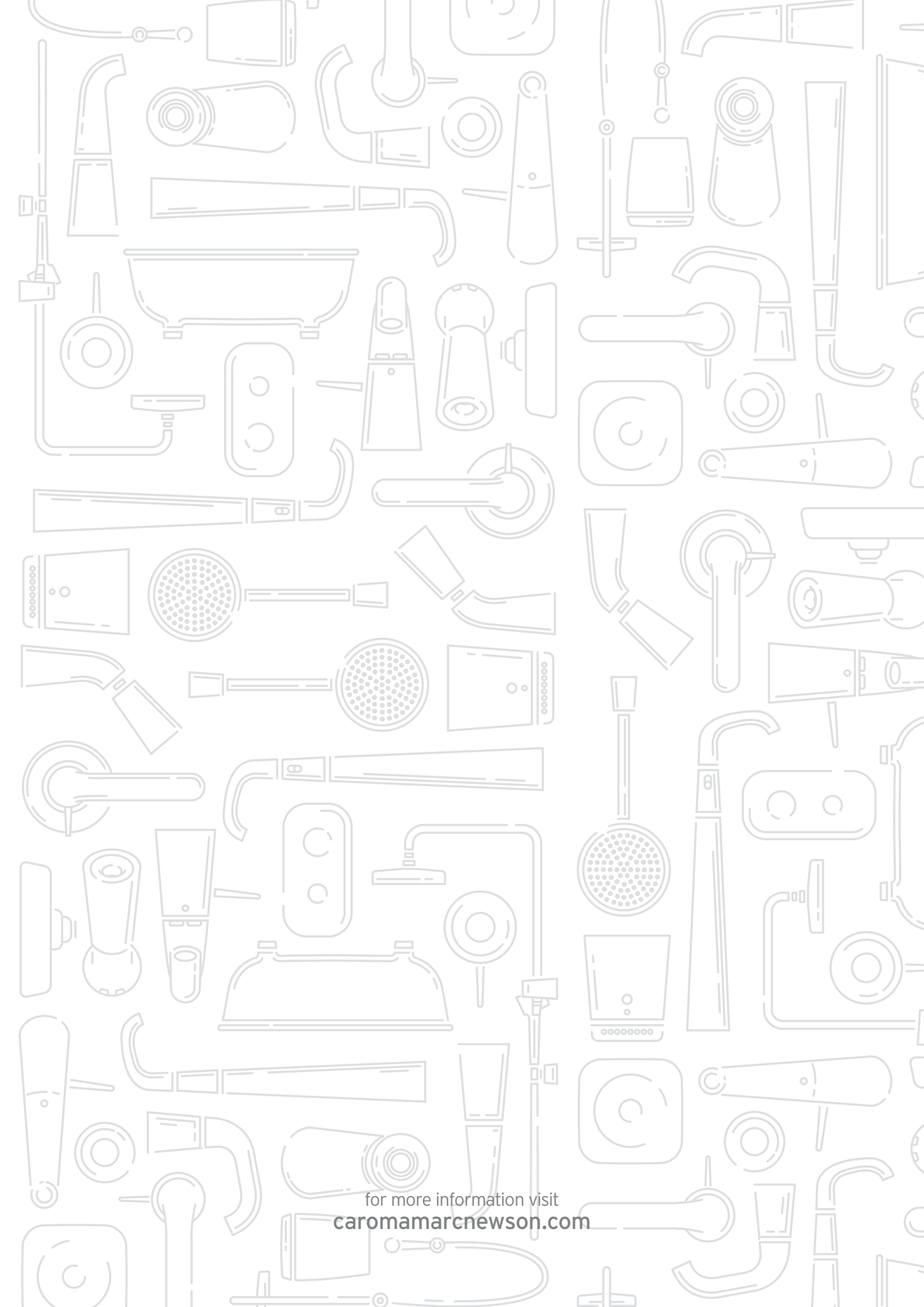
**You are also entitled to have the Products repaired or replaced if the Products fail to be of acceptable quality and the failure does not amount to a major failure.**











for more information visit  
[caromamarcnewson.com](http://caromamarcnewson.com)