

Ezy-Wash® Pre-Rinse Food Service Tapware

Commercial Tapware and Valves



A #TF80HJP - CP Hob Mounted No-Stop Pre-Rinse Unit Type 80H, 15 BSP Male Inlet with Pot Filler.



A #TF83WJP-W - CP Ezy-Wash Wall Mounted Exposed Mixing Pre-Rinse Unit Type 83W, 15BSP Female Inlets with Pot Filler (Modified) (Photo courtesy of Woolworths Redcliffe, QLD).

Since 1930 we have been totally focussed on providing you with premium quality products, uncompromising customer service and responsive technical backup, and for three generations, the Galvin family have nurtured long term relationships built on our PAW values of Pride, Accountability and a Will Do Attitude. We are committed to our vision of being Australia's most reliable supplier of customised commercial water control products.

We are now proud to present to you the Ezy-Wash® range of Pre-Rinse Food Service Tapware.

Features

- Australian made and approved to AS/NZS 3718.
- WELS rated to 6 stars (where indicated) for maximum water efficiency and compliance with green building codes.
- Comply to the ASTM F2324-03 Cleanability Standard providing major water saving benefits and less effort and time in cleaning.
- Engineered to continually take the hard knocks dished out in a commercial kitchen environment.

Applications

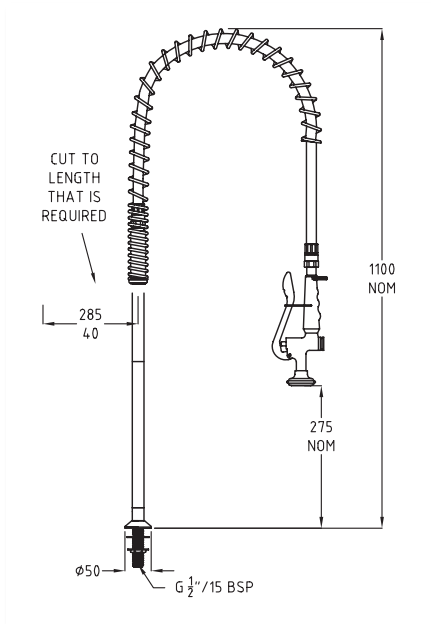
- Food preparation areas
- Schools
- Restaurants
- Aged care homes
- Commercial kitchens
- Fast food outlets
- Hotels
- Cafes
- Canteens

Projects

- Black Tom's Oyster Bar, WA
- Brisbane Cricket Ground, QLD
- Centenary Park Restaurant, QLD
- RAAF Amberley Airbase Mess, QLD
- St Mary's College, WA
- Sydney Cricket Ground, NSW
- Weller Garden Nursing Home, QLD

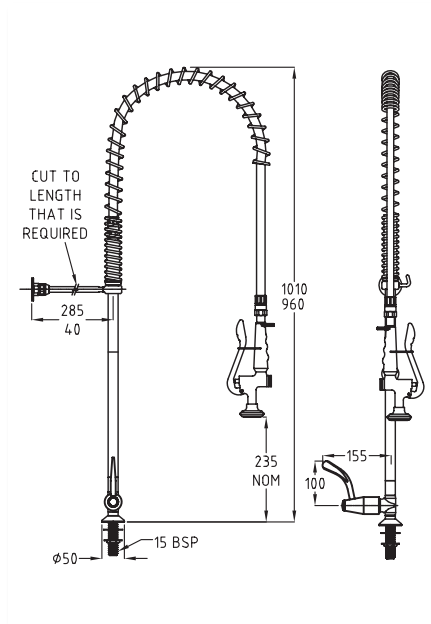


Hob Mounted Units



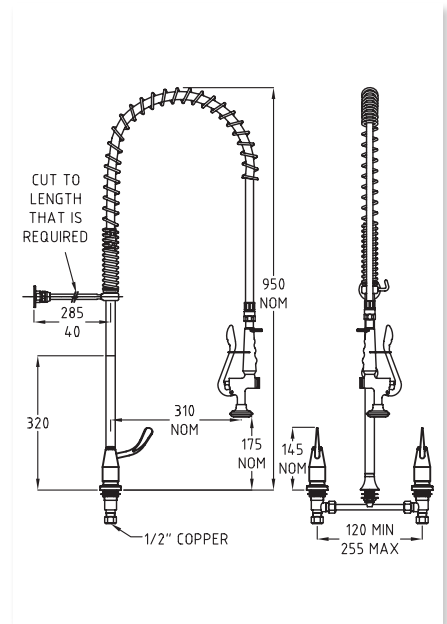
TF80H-S - CP Ezy-Wash Hob Mounted No Stop Pre-Rinse Unit Type 80H, 15 BSP Male Inlet - Std [6 Star Rating].
With Pot Filler:

TF80HJP - CP Ezy-Wash Hob Mounted No Stop Pre-Rinse Unit Type 80H, 15 BSP Male Inlet with Pot Filler.



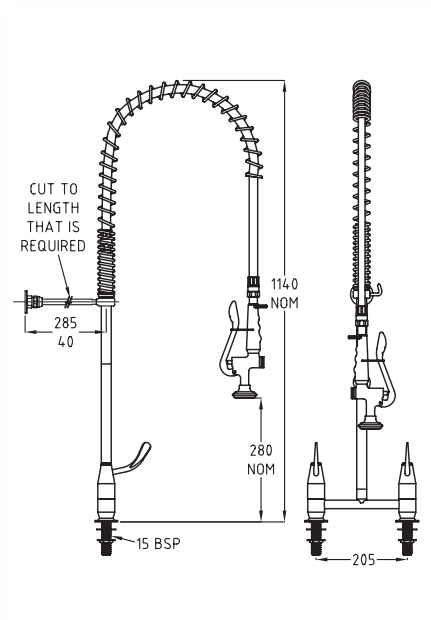
TF81HJS - CP Ezy-Wash Hob Mounted Single Stop Pre-Rinse Unit Type 81H, 15 BSP Male Inlet - Std [6 Star Rating].
With Pot Filler:

TF81HJP - CP Ezy-Wash Hob Mounted Single Stop Pre-Rinse Unit Type 81H, 15 BSP Male Inlet with Pot Filler.



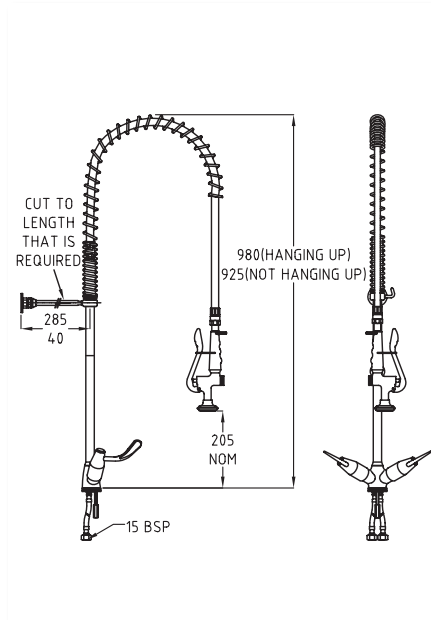
TF82HJS - CP Ezy-Wash Hob Mounted Concealed Mixing Pre-Rinse Unit Type 82H, Concealed Basin Stops - Std [6 Star Rating].
With Pot Filler:

TF82HJP - CP Ezy-Wash Hob Mounted Concealed Mixing Pre-Rinse Unit Type 82H, Concealed Basin Stops with Pot Filler.



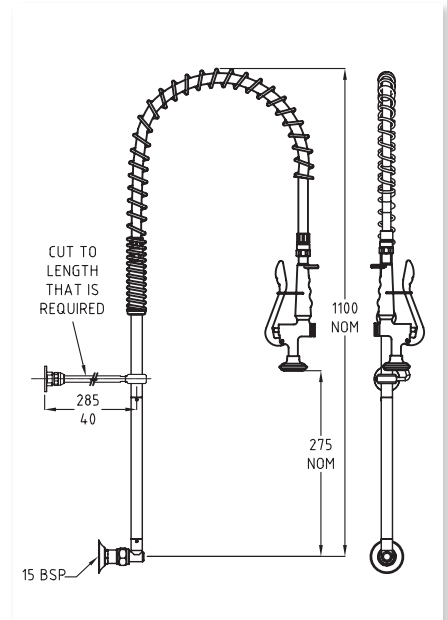
TF83HJS - CP Ezy-Wash Hob Mounted Exposed Mixing Pre-Rinse Unit Type 83H, 15BSP Male Inlets - Std [6 Star Rating].
With Pot Filler:

TF83HJP - CP Ezy-Wash Hob Mounted Exposed Mixing Pre-Rinse Unit Type 83H, 15 BSP Male Inlets with Pot Filler.



TF84HCS - CP Ezy-Wash Hob Mounted Twin Mixer Pre-Rinse Unit Type 84H, 15 BSP Flex Tails - Std [6 Star Rating].
With Pot Filler:

TF84HCP - CP Ezy-Wash Hob Mounted Twin Mixer Pre-Rinse Unit Type 84H, 15 BSP Flex Tail with Pot Filler.

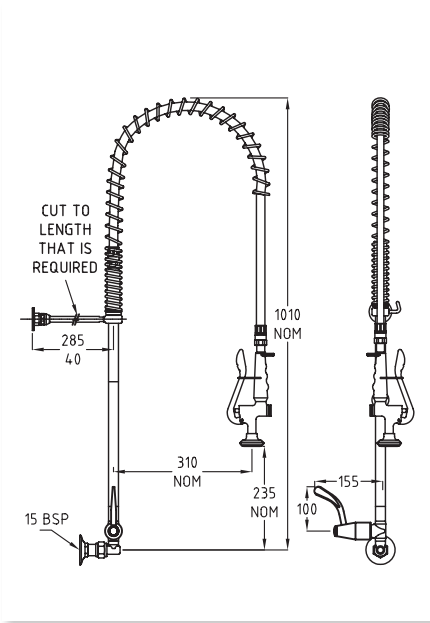


TF80W-S - CP Ezy-Wash Wall Mounted No Stop Pre-Rinse Unit Type 80W, 15 BSP Female Inlet - Std [6 Star Rating].
With Pot Filler:

TF80WJP - CP Ezy-Wash Wall Mounted No Stop Pre-Rinse Unit Type 80W, 15 BSP Female Inlet with Pot Filler.

Ezy-Wash® Pre-Rinse Food Service Tapware

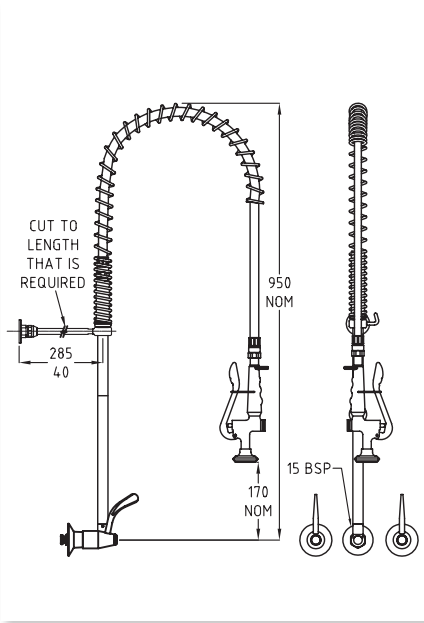
Wall Mounted Units



TF81WJS - CP Ezy-Wash Wall Mounted Single Stop Pre-Rinse Unit Type 81W, 15 BSP Female Inlet [6 Star Rating].

With Pot Filler:

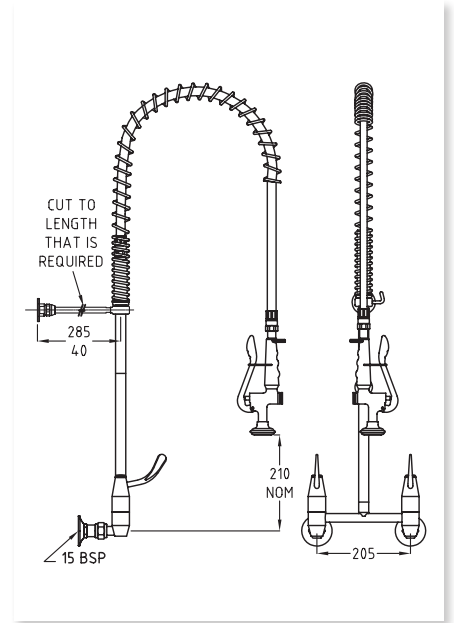
TF81WJP - CP Ezy-Wash Wall Mounted Single Stop Pre-Rinse Unit Type 81W, 15 BSP Female Inlet with Pot Filler.



TF82WJS - CP Ezy-Wash Wall Mounted Concealed Mixing Pre-Rinse Unit Type 82W, for Concealed Assembly - Std [6 Star Rating].

With Pot Filler:

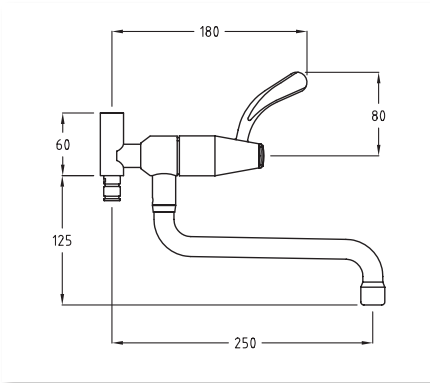
TF82WJP - CP Ezy-Wash Wall Mounted Concealed Mixing Pre-Rinse Unit Type 82W, for Concealed Assembly with Pot Filler.



TF83WJS - CP Ezy-Wash Wall Mounted Exposed Mixing Pre-Rinse Unit Type 83W, 15 BSP Female Inlets - Std [6 Star Rating].

With Pot Filler:

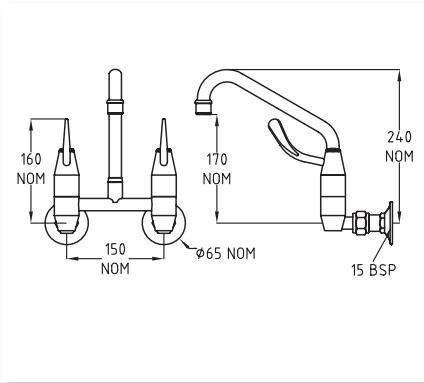
TF83WJP - CP Ezy-Wash Wall Mounted Exposed Mixing Pre-Rinse Unit Type 83W, 15 BSP Female Inlets with Pot Filler.



TF85-C - CP Ezy-Wash Pot Filler Attachment Type 85 Ceramic Disc 250mm Reach [0 Star Rating].

TF85-J - CP Ezy-Wash Pot Filler Attachment Type 85 Jumper Valve 250mm Reach [0 Star Rating].

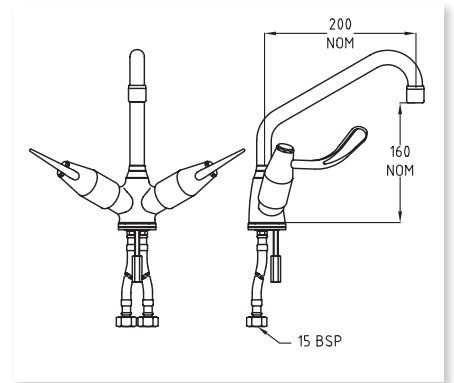
Note: Pot Filler attachments are available for all standard Pre-Rinse units. The overall height of the Pre-Rinse when the pot filler attachment is fitted increases the standard height by 60mm.



TF75WC-ESS - CP Wall Mounted Exposed Mixing Unit Type 75W 200mm Reach and 15 BSP Female Inlets [5 Star Rating].

TF76WC-ESS - CP Wall Mounted Exposed Mixing Unit Type 76W 300mm Reach & 15 BSP Female Inlets [5 Star Rating].

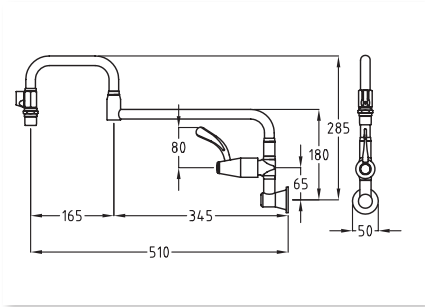
TF77WC-ESS - CP Wall Mounted Exposed Unit Type 77W 400mm Reach & 15 BSP Female Inlets [5 Star Rating].



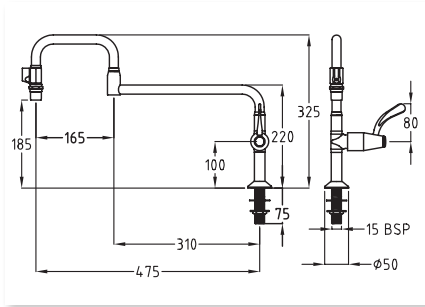
83240 - CP Lever Action Twin Mixer Sink Set with 200 Upswept Spout, 80mm Levers and Ceramic Disc [5 Star Rating].

83245 - CP Lever Action Twin Mixer Sink Set with 300 Upswept Spout, 80mm Levers and Ceramic Disc [5 Star Rating].

Kettle Fillers

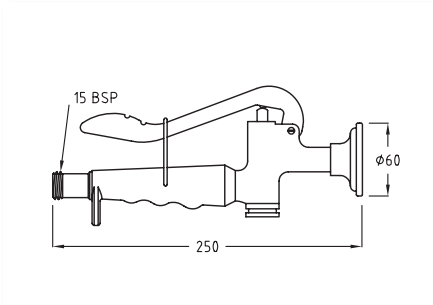


TF70WCF - CP Wall Mounted Pot and Kettle Filler Unit Type 70W with Folding Outlet and Stop [0 Star Rating].

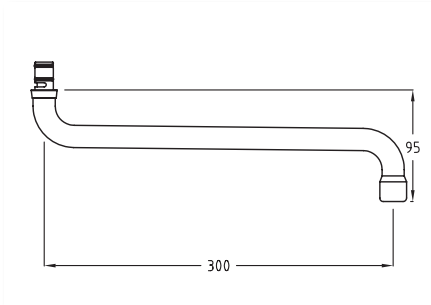


TF70HCF - CP Hob Mounted Pot and Kettle Filler Unit Type 70H with Folding Outlet and Stop [0 Star Rating].

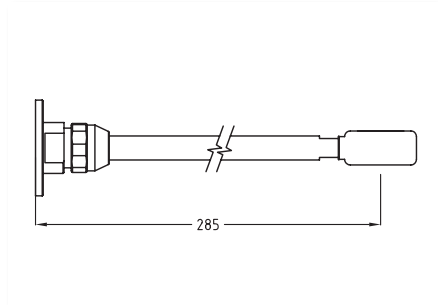
Spare Components



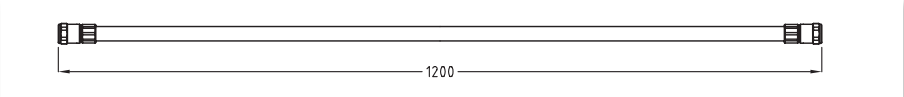
37421 - Pre-Rinse Heavy Duty Hand Trigger Spray [6 Star Rating].



TF89P - CP Ezy-Wash Downswept Outlet 200 CC x 75 High [0 Star Rating].
 # **TF90P** - CP Ezy-Wash Downswept Outlet 300 CC x 75 High [0 Star Rating].
 # **TF91P** - CP Food Service Downswept Outlet 400 CC x 75 High [0 Star Rating].



TF87 - CP Vibration Resistant Wall Bracket Assembly.



37414 - Heavy Duty Pre-Rinse Hose 1200 x 15 Female BSP (Swivel Ends).
 # **37418** - Heavy Duty Pre-Rinse Hose 1000 x 15 Female BSP (Swivel Ends).
 # **37418W** - Heavy Duty Pre-Rinse Hose 825 x 15 Female BSP (Swivel Ends).

Specifications

- Recommended Maximum Operating Working Pressure: 500kpa
- Maximum Working Temperature: 65°C
- It is recommended that the control valves are turned off when units are not used for a prolonged period of time. Maximum inlet pressure as per AS/NZS 3500:500kpa

Whilst all reasonable care has been taken in compiling the information in this document, the designs, dimensions and products shown are indicative only and should not be relied upon without our prior approval. Due to our policy of continuous development, we reserve the right to alter any details of specifications or products without notice. All information, drawings, technical specifications and product designs remains the property of Galvin Engineering Pty Ltd.