

Standard Heights

The standard heights of Breezway Window Systems with Altair Stronghold Louvres are identical to the standard heights of Breezway Window Systems with regular Altair Louvres. Please see the Breezway website for a copy of the Altair Louvre standard height chart.

Window Size Constraints

Altair Product Performance Warranty size constraints for Ultimate Limit State Pressure, Serviceability Limit State Pressure and Water Pass must be adhered to in order to ensure compliance with AS2047.

Installation & Maintenance

Stronghold is only available from approved Breezway Dealers. Windows must be installed square, plumb and true due to the precision of Stronghold. In addition, the Stronghold pin cannot be removed without causing damage. It is important to take actions to prevent the need to remove blades after pin installation.

Warranty

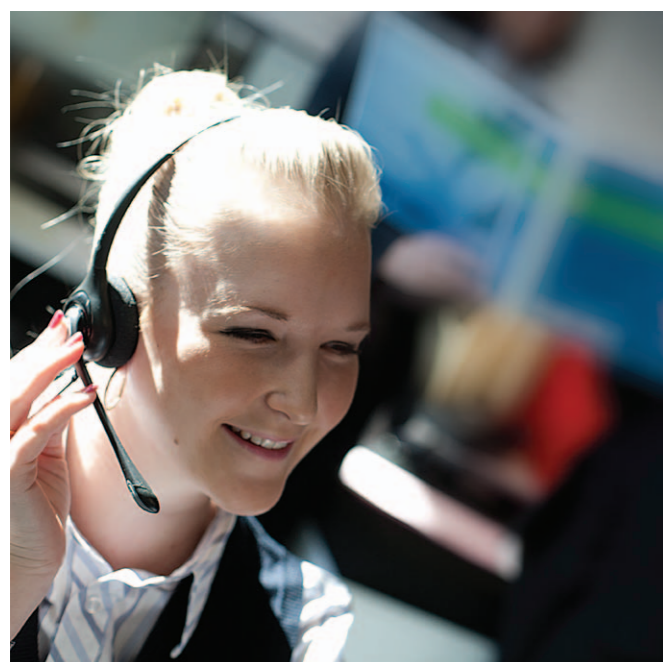
7 years warranty.

Pricing

Please contact Breezway for information on pricing.

Contact

Please call 1 800 777 758, email sales@breezway.com.au or visit www.breezway.com.au for more information.



Altair®, Stronghold®, Powerlouvre®, Easyscreen®, SL2® are all trademarks of the Breezway Group of Companies.

Key Summary

Altair Louvres with the Stronghold System locks louvre blades in place and provides extra strength when blades are in the open position.

Ideal for use more than 4 metres above ground level to gain the benefits of full ventilation and safety from the strong blade retention. Restricted blade opening available.

Pins are colour matched to the clip and are made from high strength acetal.

The Stronghold System has completed AS2047, static load, sphere and swing bag testing to ensure superior performance.

Widest choice of customising options available to provide greater design flexibility.

Compatible with the Altair Powerlouvre System and has no impact on minimum or maximum sizes.



STRONGHOLD
by breezway

breezway



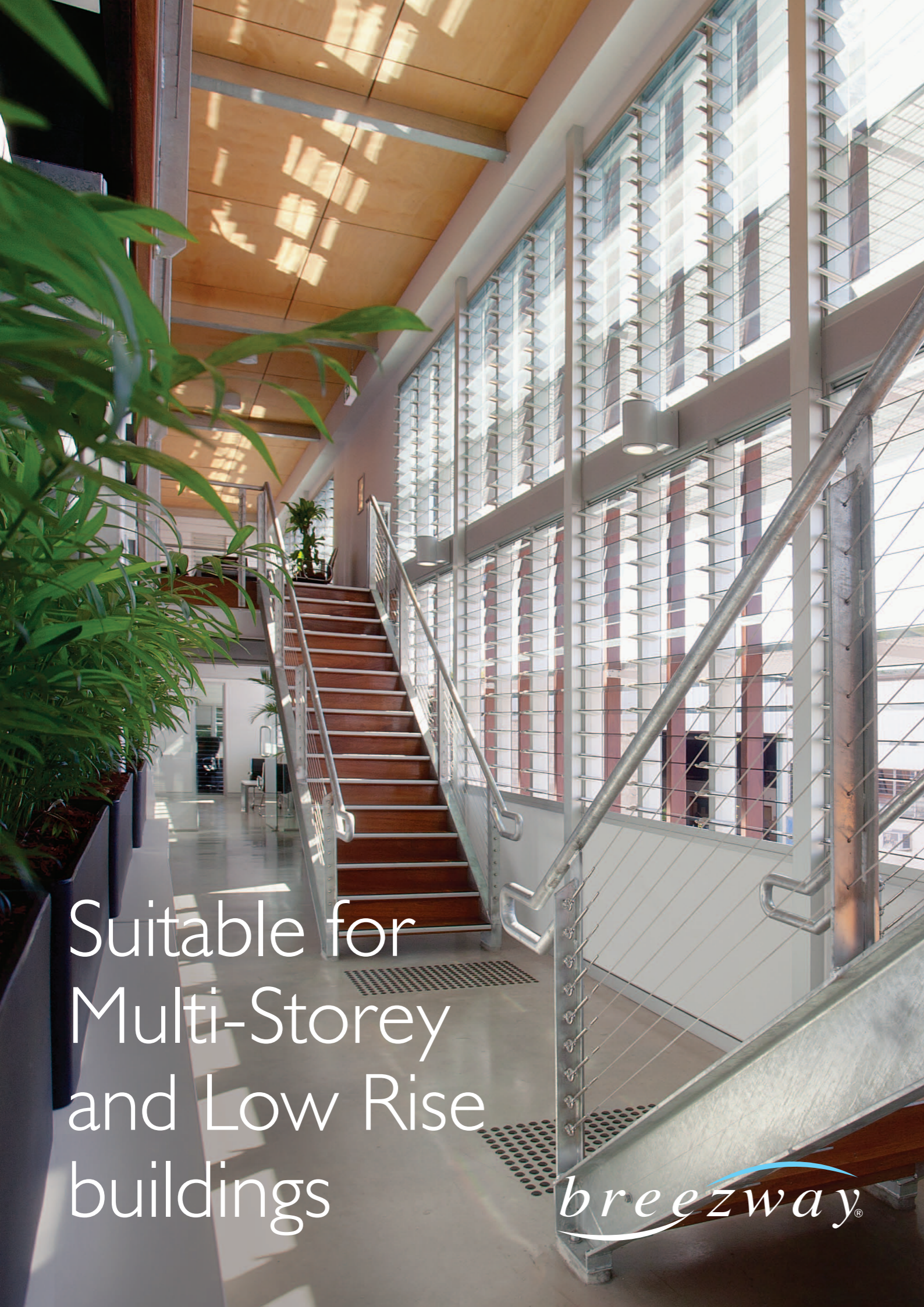
Altair® Louvre Windows with the Stronghold® System

A new option for Altair® Louvre Windows is now available to offer increased strength and safety.

Altair Louvre Windows with the new Stronghold System have been specifically designed to achieve blade retention. Ideal for use more than 4 metres above ground level, Altair Louvres with the Stronghold System gain the benefits of full ventilation whilst providing added safety to the entire window opening. To achieve this, a high strength acetal pin is inserted through the inside face of the Stronghold Clip, through the bearing and a hole that is drilled into each end of the toughened glass or aluminium blade.



breezway



Suitable for
Multi-Storey
and Low Rise
buildings



The Stronghold® System

Altair Louvre Windows with the Stronghold System give increased design flexibility. In multi-storey applications, a balcony enclosure or wintergarden can be created to provide extra year round living space, enjoy the winter sun in a protected spot or take advantage of fresh breezes.

Altair Louvres with the Stronghold System will withstand even the harshest weather conditions, making them a perfect alternative to shutters. The Window System can also be screened and offers privacy options when using aluminium blades.

The strength of the Stronghold System also makes it an ideal window in multi-storey buildings. With the blade opening slightly restricted the window is child safe, whilst still providing ventilation from the entire window opening, making it ideal for medium density buildings.

Product Offer

- Available only within the Breezway Easyscreen® or SL2® Window Systems complete with aluminium or toughened glass blades.
- Current finish options apply.
- Suitable for all handle types or as an Altair Powerlouvre® Window System.
- Only available for use with 6mm thick, 152 drilled glass or aluminium blades.
 - Glass blades must be processed and toughened for use with the Stronghold System.
 - Heat soaked glass blades are also available.

Testing

Altair Louvres with the Stronghold System have been tested to AS2047 "Windows in Buildings", along with static load testing, sphere and swing bag testing to ensure superior performance.

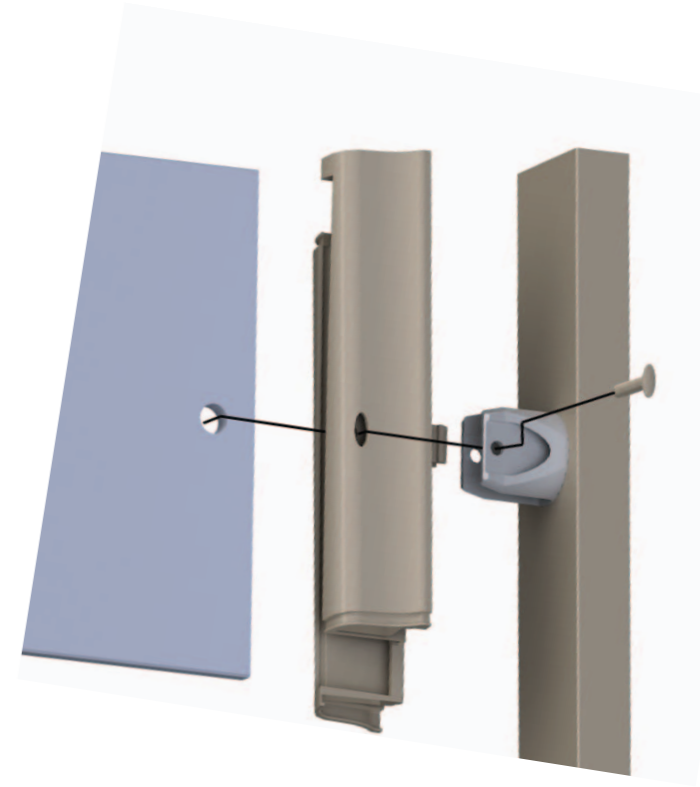
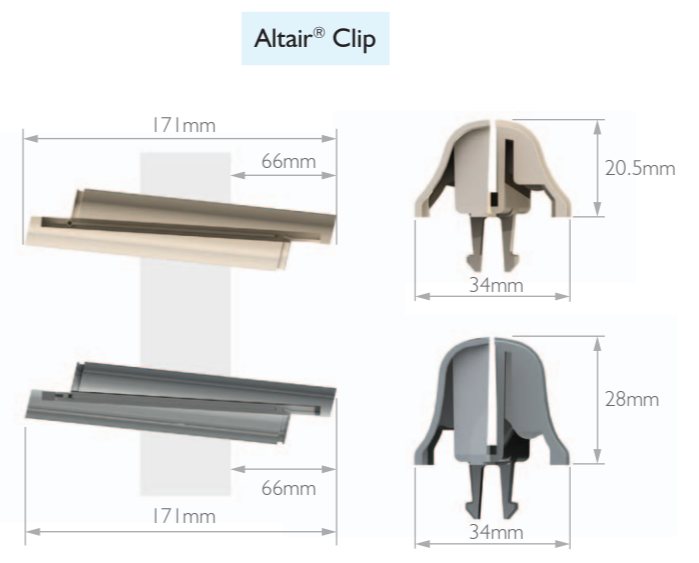
Please Note: The Stronghold System is a window, not a balustrading system.

Automation Available

For those interested in automated window solutions, this newly developed Stronghold System is also compatible with the Altair Powerlouvre Window and has no impact on minimum or maximum sizes.

Stronghold® Clip Dimensions

In order to provide space for the pin, Altair Stronghold Clips require greater coverage of the blades and as a result have a greater height than Altair Clips.



Stronghold® System showing pin insertion path through clip and blade.

Altair® Stronghold Clip