



rba



www.rba.com.au

index

Product Description	Page
Accessories	26-33
Anti-vandal	18
Aqua Butzke	19
Baby Change	12
Basins	22-23
Bins	2-4
Bobrick	1-13, 26
Broom Holders	10
Bubblers	24-25
Chillers	24-25
Classic Series	26
Clothes Hooks	10
Contura™	1
Correctional Equipment	18
Disabled Accessories	13-15, 17
Dispensers, Soap	8-9
Dispensers, Paper	2-4
Drinking Fountains	25
Dryers	5
Flush Valves	19

PAGE 25



A8901

PAGE 10



B682

PAGE 16



A8847



PAGE 25

Product Description	Page
Garbage Bins	2-4
Grab Bars	13-15
Hand Dryers	5
Handbasins	22-23
Handicapped Accessories	13-15, 17
Hooks	10
Mains Pressure Flushing	19
Mirrors	11
Mirrors [Stainless Steel]	11
Mop Holders	10
Nappy Change	12
Pans	16-17
Paper Towel Dispensers	2-4
Prison Equipment	18
Rubbish Bins	2-4
Security Equipment	18
Sensors [Dryers]	5
Sensors [Taps]	21
Sensors [Urinals]	18-19
Shelves	11

PAGE 12



KB100-00

B6699



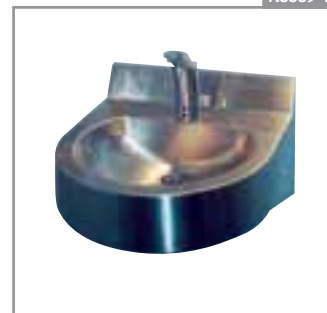
PAGE 6

B2112



PAGE 8

A8889-1



PAGE 13

Product Description	Page
Showers	20
Signs - Tactile	13, 17
Sinks	22-23
Soap Dispensers/Dishes	8-9
Stainless Steel Shelves	11
Taps	20-21
Tilt Mirror	11, 13
Toilet Brush Holder	28-29, 31-33
Toilet Paper Holders	6-7
Toilets	16-17
Troughs	16-17
Urinal Flushing	19
Urinals	16
Vandal Resistance	16, 18
Washbasins	22-23
Washfountains	25
Waste Receptacles	2-4
Water Coolers	24-25
Water Saving Flush	19
WCs	16-17



B4262 Contura™ Surface-mounted Paper Towel Dispenser

Satin Finish Stainless Steel, Patented
275mm [W] x 335mm [H]



B43644 Contura™ Recessed Waste Receptacle

Satin Finish Stainless Steel, Patented
440mm [W] x 655mm [H]
Waste Capacity: 48L



B277 Contura™ Surface-mounted Waste Receptacle

Satin Finish Stainless Steel, Patented
385mm [W] x 585mm [H]
Waste Capacity: 48L

DESIGNERS NOTE:
All Contura™ products carry a 3 Year Warranty.



B4369 Contura™ Recessed Paper Towel and Waste

Satin Finish Stainless Steel, Patented
325mm [W] x 710mm [H]
Waste Capacity: 11L



B43944 Contura™ Recessed Paper Towel and Waste

Satin Finish Stainless Steel, Patented
445mm [W] x 1430mm [H]
Waste Capacity: 60L



B270 Contura™ Surface-mounted Sanitary Napkin Disposal

Satin Finish Stainless Steel, Patented
190mm [W] x 255mm [H]

B43699 Contura™ Surface Mounted Paper Towel and Waste

As B4369, but surface mounted, Patented
Waste Capacity: 11L

B43949 Contura™ Surface Mounted Paper Towel and Waste

As B43944, but surface mounted, Patented
Waste Capacity: 60L



B4288 Contura™ Surface-mounted Toilet Paper Holder

Satin Finish Stainless Steel, Patented
155mm [W] x 280mm [H]



B4112 Contura™ Surface-mounted Soap Dispenser

Satin Finish Stainless Steel, Patented
180mm [W] x 155mm [H], 1.2L capacity



B822 Contura™ Basin Mounted Liquid Soap Dispenser

Bright Polished Finish, Patented
100mm Spout, 1L capacity

B4063 Contura™ Recessed Soap Dispenser

As B4112, but recessed, Patented

B8226 Contura™ Basin Mounted Liquid Soap Dispenser

As B822, but 150mm Spout, Patented

B4388 Contura™ Recessed Toilet Paper Holder

As B4288, but recessed, Patented

paper towel & waste



B4369 Contura™ Recessed Paper Towel and Waste



Satin Finish Stainless Steel, Patented
325mm [W] x 710mm [H]
Waste Capacity: 11L



B43944 Contura™ Recessed Paper Towel and Waste



Satin Finish Stainless Steel, Patented
445mm [W] x 1430mm [H]
Waste Capacity: 60L



B3803 Recessed Paper Towel and Waste

Satin Finish Stainless Steel
330mm [W] x 1400mm [H] x 140mm [D]
Waste Capacity: 24L

B43699 Contura™ Surface Mounted Paper Towel and Waste



As B4369, but surface mounted,
Patented
Waste Capacity: 11L

B43949 Contura™ Surface Mounted Paper Towel and Waste



As B43944, but surface mounted,
Patented
Waste Capacity: 60L

B38034 Recessed Paper Towel and Waste

Similar to B3803, but 90mm [D]



B38039 Surface-mounted Paper Towel and Waste

330mm [W] x 1400mm [H] x 167mm [D]
Waste Capacity: 24L



B815969 Recessed 3-in-1 (Paper Towel, Waste & Dryer)

Satin Finish Stainless Steel
330mm [W] x 1830mm [H]
Waste Capacity: 24L



B38033 Recessed 3-in-1 (Paper Towel, Waste & Dryer)

Satin Finish Stainless Steel
385mm [W] x 1415mm [H]
Waste Capacity: 12.5L

B380349 Surface-mounted Paper Towel and Waste

330mm [W] x 1400mm [H] x 117mm [D]
Waste Capacity: 14L

B8159699 Surface-mounted 3-in-1 (Paper Towel, Waste & Dryer)

As B815969, but surface mounted
Waste Capacity: 24L

B380339 Surface-mounted 3-in-1 (Paper Towel, Waste & Dryer)

As B38033, but surface-mounted
Waste Capacity: 12.5L

paper towel & waste



B39003 Recessed Paper Towel and Waste

Satin Finish Stainless Steel
445mm [W] x 1430mm [H]
Waste Capacity: 45L



B36903 Recessed Paper Towel and Waste

Satin Finish Stainless Steel
330mm [W] x 790mm [H]
Waste Capacity: 6L



B3699 Surface-mounted Paper Towel and Waste

Satin Finish Stainless Steel
360mm [W] x 720mm [H]
Waste Capacity: 8L

B390039 Surface-mounted Paper Towel and Waste

Satin Finish Stainless Steel, Patented
325mm [W] x 710mm [H]
Waste Capacity: 45L

B369039 Surface-mounted Paper Towel and Waste

As B36903, but surface-mounted
Waste Capacity: 6L

B369 Recessed Paper Towel and Waste

As B3699, but recessed



B3944 Recessed Paper Towel and Waste

Satin Finish Stainless Steel
435mm [W] x 1420mm [H]
Waste Capacity: 45L



B526 Countertop Paper Towel Dispenser

Satin Finish Stainless Steel. Towels load into top of dispenser.
Faceplate 325mm [W] x 150mm [H].
Allow 430mm [D] clearance behind/below mounting surface



B2621 Surface-mounted Paper Towel Dispenser

Satin Finish Stainless Steel
180mm [H] x 275mm [W]

B3949 Surface-mounted Paper Towel and Waste

As B3944, but surface-mounted



B527 Countertop Waste-disposal Door

Satin Finish Stainless Steel. Door is self-closing. 325mm [W] x 150mm front to back depth; 115mm min. clearance below mounting surface is required.



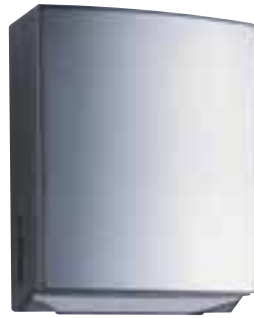
B529 Waste Chute

Satin Finish Stainless Steel
140mm [Dia]

paper towel & waste



B4362 Contura™ Recessed Paper Towel Dispenser
Satin Finish Stainless Steel, Patented
325mm [W] x 710mm [H]



B4262 Contura™ Surface-mounted Paper Towel Dispenser
Satin Finish Stainless Steel, Patented
275mm [W] x 335mm [H]



B262 Surface-mounted Paper Towel Dispenser
Satin Finish Stainless Steel, with
Tumbler Lock
355mm [H] x 275mm [W]



B43644 Contura™ Recessed Waste Receptacle
Satin Finish Stainless Steel, Patented
440mm [W] x 705mm [H]
Waste Capacity: 48L



B318 Concealed In-wall Paper Towel Dispenser
Satin Finish Stainless Steel



B2250 Free Standing Bin with Lid
Satin Stainless Steel, Waste Capacity: 49L

B2260 Free Standing Bin without Lid
Waste Capacity: 49L

B2270 Free Standing Bin with Lid
Waste Capacity: 79L

B2280 Free Standing Bin without Lid
Waste Capacity: 79L



OE3 Series Stainless Steel Pedal Bins

- OE303 - Waste Capacity: 3L
- OE307 - Waste Capacity: 7L
- OE312 - Waste Capacity: 12L
- OE328 - Waste Capacity: 28L
- OE340 - Waste Capacity: 40L



B2400 Large Capacity Stainless Steel Bin
815mm H x 465mm Dia.
Waste Capacity: 125L



B279 Surface-mounted Waste Receptacle
Satin Finish Stainless Steel
355mm [W] x 455mm [H],
Waste Capacity: 24L



B277 Contura™ Surface-mounted Waste Receptacle
Satin Finish Stainless Steel, Patented
385mm [W] x 585mm [H],
Waste Capacity: 48L



B275 Surface-mounted Waste Receptacle
Satin Finish Stainless Steel
420mm [W] x 585mm [H],
Waste Capacity: 75L



B705E Hand Dryer

One-piece white-molded plastic cover.
12 month warranty



B715E Elan™ Hand Dryer

Contemporary styling; Satin Finish type-304 Stainless Steel,
5 year warranty



B700 AirCraft® Hand Dryer

Cast-iron with vitreous enamel finish
10 year warranty



B740 Eclipse™ Hand Dryer

Contemporary styling; durable, drawn steel white vitreous enamel cover,
10 year warranty



B709 AirPro™ Hand Dryer

Contemporary styling; durable cast aluminium white painted cover
5 year warranty



B750 Recessed AirCraft® Hand Dryer

Cast-iron with vitreous enamel finish,
10 year warranty



B748 Eclipse™ Hand Dryer

Contemporary styling; durable, drawn steel bright polished chrome plated cover,
10 year warranty



B815969 Recessed 3-in-1 (Paper Towel, Waste & Dryer)

Satin Finish Stainless Steel
330mm [W] x 1830mm [H]
Waste Capacity: 24L



B319327 Recessed 2-in-1 (Dryer & Waste Receptacle)

Satin Finish Stainless Steel
335mm [W] x 1415mm [H]
Waste Capacity: 24L



B38033 Recessed 3-in-1 (Paper Towel, Waste & Dryer)

Satin Finish Stainless Steel
385mm [W] x 1415mm [H]
Waste Capacity: 12L

B8159699 Surface-mounted 3-in-1 (Paper Towel, Waste & Dryer)

As B815969, but surface mounted
Waste Capacity: 24L

B3193279 Surface-mounted 2-in-1 (Dryer & Waste Receptacle)

As B319327, but surface mounted

B380339 Surface-mounted 3-in-1 (Paper Towel, Waste & Dryer)

As B38033, but surface-mounted

DESIGNERS NOTE:
All RBA Dryers are hands-free for improved hygiene.

toilet paper holders



B4288 **Contura™ Surface-mounted Toilet Roll Holder**



Satin Finish Stainless Steel, Patented
155mm [W] x 280mm [H]

B4388 **Contura™ Recessed Toilet Roll Holder**



As B4288, but recessed, Patented



B2888 **Surface-mounted Toilet Roll Holder**

Satin Finish Stainless Steel
155mm [W] x 280mm [H]

B3888 **Recessed Toilet Roll Holder**

As B2888, but recessed

DESIGNERS NOTE:
To specify theft-resistant spindles, use suffix .60, eg. B667.60

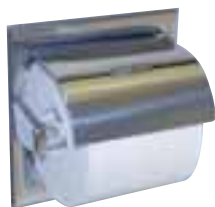


B667 **Recessed Toilet Roll Holder, Single Roll**

Bright Polished Finish
155mm [W] x 155mm [H]

B6677 **Recessed Toilet Roll Holder, Single Roll**

As B667, but Satin Finish



B669 **Recessed Toilet Roll Holder, with Hood**

Single Roll, Bright Polished Finish
155mm [W] x 155mm [H]



B6699 **Surface-mounted Toilet Roll Holder, with Hood**

Single Roll, Bright Polished Finish
155mm [W] x 155mm [H]



B699 **Recessed Toilet Roll Holder with Hoods**

Double Roll, Bright Polished Finish
315mm [W] x 155mm [H]

B6697 **Recessed Toilet Roll Holder, with Hood**

As B669, but Satin Finish

B66997 **Surface-mounted Toilet Roll Holder, with Hood**

As B6699, but Satin Finish

B6997 **Recessed Toilet Roll Holder with Hoods**

As B699, but Satin Finish



B6999 **Surface-mounted Toilet Roll Holder with Hoods**

Double Roll, Bright Polished Stainless Steel
315mm [W] x 155mm [H]



B685 **Toilet Roll Holder, Single**

Bright Polished Stainless Steel
185mm [W] x 50mm [H]



B686 **Toilet Roll Holder, Double**

Bright Polished Stainless Steel
320mm [W] x 50mm [H]

B6857 **Toilet Roll Holder, Single**

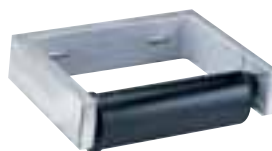
As B685, but Satin Finish

B6867 **Toilet Roll Holder, Double**

As B686, but Satin Finish

B69997 **Surface-mounted Toilet Roll Holder with Hoods**

As B6999, but Satin Finish



B2730 **Toilet Paper Holder, Single**

Heavy-duty cast Aluminium with Satin Finish
165mm [W]



B2740 **Toilet Paper Holder, Double**

Heavy-duty cast Aluminium with Satin Finish
320mm [W]



B2890 **Single Jumbo-Roll Toilet Tissue Dispenser**

Satin Finish Stainless Steel, lockable
270mm [Dia]

B273 **Toilet Paper Holder, Single**

As B2730, but with controlled delivery

B274 **Toilet Paper Holder, Double**

As B2740, but with controlled delivery

toilet paper holders



B818935 Triple Toilet Roll Holder
Satin Finish Stainless Steel with
Tumbler Lock
120mm [W] x 375mm [H]



**B2721 Surface-mounted Interleaved
Toilet Tissue Dispenser**
Satin Finish Stainless Steel
130mm [W] x 230mm [H] x 110mm [D]



**A1840 Recessed Security Toilet Roll
Holder, Rear Fixed**

Vandal and Suicide Resistant
178mm [Sq]

**A1840-FA Recessed Security Toilet Roll
Holder, Front Fixed**

As A1840, but Front Fixed



**B27460 Toilet Paper Holder, Double,
with Tumbler Lock**
Heavy-duty cast Aluminium with Satin
Finish 360mm [W], Patented

**B2746 Toilet Paper Holder, Double,
with Tumbler Lock**

As B27460, but with controlled
delivery



**A1113-KL Heavy Duty Vandal
Resistant Double Toilet
Roll Holder**

Satin Finished Stainless Steel
255mm [W]

**A1113-PL Heavy Duty Vandal
Resistant Double Toilet
Roll Holder**

As above, but with padlock



OTD33-013 'Tendo' Toilet Roll Holder
Bright Polished

OTD33-009 'Tendo' Toilet Roll Holder
Satin Finish



OLT33-013 'Lingotto' Toilet Roll Holder
Bright Polished

OLT33-009 'Lingotto' Toilet Roll Holder
Satin Finish



OKB33-013 'Kubo' Toilet Roll Holder
Bright Polished

OKB33-009 'Kubo' Toilet Roll Holder
Satin Finish



OCR33-013 'Corner' Toilet Roll Holder
Bright Polished

OCR33-009 'Corner' Toilet Roll Holder
Satin Finish



OTG33-013 'Single' Toilet Roll Holder
Bright Polished

OTG33-009 'Single' Toilet Roll Holder
Satin Finish



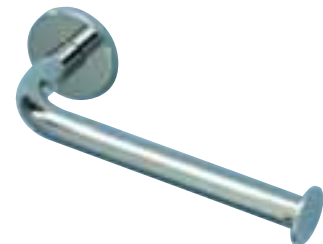
OMS33-013 'Musa' Toilet Roll Holder
Bright Polished

OMS33-009 'Musa' Toilet Roll Holder
Satin Finish



OGT33-033 Toilet Roll Holder
Bright Polished Stainless Steel
100mm [D] x 170mm [W]

OGT33-039 Toilet Roll Holder
As OGT33-033, but Satin Finish



OK33-033 Toilet Roll Holder
Bright Polished Stainless Steel
160mm [W] x 90mm [D]

OK33-039 Toilet Roll Holder
As OK33-033, but Satin Finish

soap dispensers



B4112 Contura™ Surface-mounted Soap Dispenser
Satin Finish Stainless Steel, Patented
180mm [W] x 155mm [H], 1.2L capacity



B4063 Contura™ Recessed Soap Dispenser
As B4112, but recessed, Patented



B822 Contura™ Basin Mounted Liquid Soap Dispenser
Bright Polished Finish, Patented
100mm Spout, 1L capacity



B8226 Contura™ Basin Mounted Liquid Soap Dispenser
As B822, but 150mm Spout, Patented



B822-111 25mm Spacer Kit
To suit models B822, B8226, B922 & B9226. Increases height for higher-rimmed basins.

B4112-HP Contura™ Surface-mounted Soap Dispenser
As B4112, but bright polished



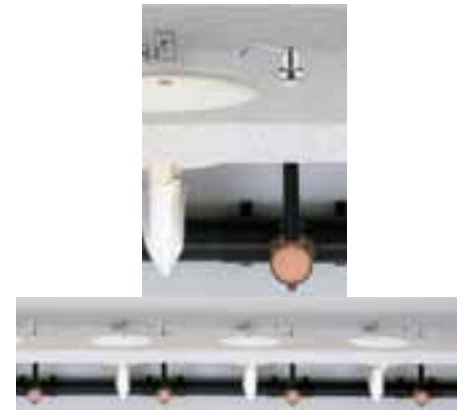
B4112-316 Contura™ Surface-mounted Soap Dispenser
As B4112, but in #316 Stainless Steel



B8601 Panel-mounted Liquid Soap Dispenser
Bright Polished Finish
85mm Spout, 1L capacity



B306 Recessed Soap Dispenser
Satin Finish Stainless Steel, with
Tumbler Lock, 1.3L capacity
240mm [W] x 140mm [H]



B922 Contura™ Basin Mounted Liquid Soap Dispenser with Under Counter Reservoir System
Bright Polished Finish, Patented
100mm Spout, 3.3L average capacity



B9226 Contura™ Basin Mounted Liquid Soap Dispenser
As B922, but 150mm Spout, Patented



B2111 Surface-mounted Soap Dispenser
Satin Finish Stainless Steel, Patented
120mm [W] x 205mm [H],
1.2L capacity



B2112 Surface-mounted Soap Dispenser
Satin Finish Stainless Steel, Patented
205mm [W] x 120mm [H],
1.2L capacity



A777708 Panel Mounted Gravity Soap System

soap dispensers



A1832 Recessed Security Soap Dish, Rear Fixed

Satin Finish Stainless Steel
178mm [W] x 127mm [H]

A1832-FA Recessed Security Soap Dish, Front Fixed

As above, but front fixed



B40 Surface Mounted Soap Dispenser

Black and Grey ABS Plastic
145mm [W] x 160mm [H]



B2014 Soapershell[®]

Soap Dispenser and Shelf
Satin Finish Stainless Steel
440mm [W]
Protrudes 125mm from wall



B680 Soap Dish

Bright Polished Stainless Steel
110mm [W] x 50mm [H]



A1836 Surface-mounted Security Soap Dish, Front Fixed

127mm [W] x 45mm [H]



OK111-033 Soap Dish, Stainless Steel

Bright Polished
80mm [W] x 120mm [D]

OK111-039 Soap Dish, Stainless Steel

Satin Finish
80mm [W] x 120mm [D]

B6807 Soap Dish

As B680, but Satin Finish



OK455 Soap Dispenser

Wall Mounted, Stainless Steel
190mm [H] x 120mm [D]
-033 for Bright Polish
-039 for Satin Finish

Not recommended for commercial use



OTD456 'Tendo' Soap Dispenser

90mm [W] x 85mm [D] x 175mm [H]
-009 for Satin Finish
-013 for Bright Polish

Not recommended for commercial use



OH455 Soap Dispenser

Wall Mounted
170mm [D] x 100mm [H]
-009 for Satin Finish
-013 for Bright Polish

Not recommended for commercial use

hooks



B232 Series **Hook Panel, Stainless Steel**

Satin Finish. Available in panels of 3, 4, 5 or 6 hooks.



B682 **Double Hook, Stainless Steel**

Bright Polished



B670 **Hook, Stainless Steel**

Bright Polished



OTD Series

'Tendo' Hook

OTD51-013 - Bright Polished
OTD51-009 - Satin Finish



B223 **Mop Holder, Stainless Steel**

Satin Finish. Available in panels of 3, 4 or 5 mop holders



B233 **Hook, Stainless Steel**

Satin Finish



B671 **Hook, Stainless Steel**

Bright Polished



OCR Series

'Corner' Hook

OCR51-013 - Bright Polished
OCR51-009 - Satin Finish



B224 Series **Utility Shelf, Stainless Steel**

Satin Finish. Available in panels of 3, 4 or 6 mop holders



B212 **Hook and Bumper**

Matte Cast Aluminium



OK51 Series

Hook, Stainless Steel

OK51-033 - Bright Polished
OK51-039 - Satin Finish



OMS Series

'Musa' Hook

OMS52-013 - Bright Polished
OMS52-009 - Satin Finish



A1830 **Auto Release Hook, Front Fixed, Stainless Steel**

Satin Finish, Vandal and Suicide Resistant 108mm [Sq]



B672 **Double Hook, Stainless Steel**

Bright Polished



OK53 Series

Hook, Stainless Steel

OK53-033 - Bright Polished
OK53-039 - Satin Finish



OMS Series

'Musa' Hook

OMS51-013 - Bright Polished
OMS51-009 - Satin Finish



B211 **Heavy Duty Hook**

Brass with Satin Nickel Finish. Withstands 136kg downward pull if installed correctly



OGT51 Series

Hook, Stainless Steel

OK51-033 - Bright Polished
OK51-039 - Satin Finish



OGT53 Series

Hook, Stainless Steel

OK51-033 - Bright Polished
OK51-039 - Satin Finish



OSG Series

'Single' Hook

OSG51-013 - Bright Polished
OSG51-009 - Satin Finish

B2116 **Heavy Duty Hook**

As B211, but concealed fixings

mirrors & shelves



B290 Series

Mirror

Glass Mirror, Satin Finish Stainless Steel Frame (Type 304). Standard sizes available.

B290 2436

- 610mm [W] x 910mm [H]



B812472 Tilt Mirror

Satin Finish Stainless Steel Frame, for Disabled use
406mm [W] x 960mm [H]

B293 Series

Tilt Mirror

Standard sizes available



B165 Series

Mirror (Budget Series)

Glass Mirror, Bright Polished Stainless Steel Frame (Type 400). Standard sizes available.

B165 2436

- 610mm [W] x 910mm [H]



A1817

Stainless Steel Integral Framed Mirror, Front Fixed

286mm [W] x 438mm [H]



B292 Series

Mirror with Shelf

Glass Mirror, Stainless Steel Frame and Shelf (Type 304). Standard sizes available.

B292 2436

- 610mm [W] x 910mm [H]



B1556 Series

Frameless Stainless Steel Mirror

Bright Polished Stainless Steel

B1556 1620 - 440mm [W] x 500mm [H]

B1556 1824 - 445mm [W] x 600mm [H]

B1556 1830 - 445mm [W] x 750mm [H]

B1556 2436 - 600mm [W] x 900mm [H]

Custom sizes available



B166 Series

Mirror with Shelf (Budget Series)

Glass Mirror, Stainless Steel Frame and Shelf. Standard sizes available.

B166 2436

- 610mm [W] x 910mm [H]



OTD Series

'Tendo' Shelf

120mm [D] x 25mm [H]

Bright Polished

OTD60-013 - 305mm [W]

OTD61-013 - 600mm [W]

Satin Finish

OTD60-009 - 305mm [W]

OTD61-009 - 600mm [W]



B295 Series

Shelf

Satin Finish Stainless Steel

125mm [D] x Standard Lengths: 405mm, 455mm, 610mm, 915mm, 1220mm



B683x24

Shelf

Bright Polished Stainless Steel

145mm [D] x 610mm [W]



A1821

Stainless Steel Shelf, Rear Fixed

Vandal and Suicide Resistant
406mm [W] x 63mm [H]

A1821-FA

Stainless Steel Shelf, Front Fixed

As A1821, but Front Fixed



OK Series

Shelf, Stainless Steel Frame

Bright Polished Stainless Steel

OK60-033 - 330mm [W] x 100mm [D]

OK61-033 - 630mm [W] x 100mm [D]

Satin Finish Stainless Steel

OK60-039 - 330mm [W] x 100mm [D]

OK61-039 - 630mm [W] x 100mm [D]



OGT Series

Shelf, Stainless Steel Frame

Bright Polished Stainless Steel

OGT60-033 - 345mm [W] x 130mm [D]

OGT61-033 - 645mm [W] x 130mm [D]

Satin Finish Stainless Steel

OGT60-039 - 345mm [W] x 130mm [D]

OGT61-039 - 645mm [W] x 130mm [D]



OKB Series

'Kubo' Shelf

130mm [D] x 20mm [H]

Bright Polished

OKB50-013 - 310mm [W]

OKB51-013 - 610mm [W]

Satin Finish

OKB50-009 - 310mm [W]

OKB51-009 - 610mm [W]

baby change



BKB110-SSRE Recessed Baby Change Table



Stainless Steel Finish
940mm [W] x 585mm [H]



BKB110-SSWM Wall-Mounted Baby Change Table



Stainless Steel Finish
890mm [W] x 510mm [H]



BKB102-00 Child Protection Seat Wall-Mounted



Polyethylene, Cream colour
305mm [W] x 485mm [H]



BKB101-00 Vertical Wall-Mounted Baby Change Table



Polyethylene, Cream colour
560mm [W] x 900mm [H]



BKB100-00 Horizontal Wall-Mounted Baby Change Table



Polyethylene, Cream colour
890mm [W] x 510mm [H]

miscellaneous



B355 Tissue Dispenser

Recessed
Satin Finish Stainless Steel
300mm [W] x 155mm [H]



B8397 Tissue Dispenser

Surface-mounted
Satin Finish Stainless Steel
260mm [W] x 130mm [H]



B636 Retractable Clothesline

Surface-mounted
Bright Polished Stainless Steel
2440mm Nylon Cord



SD001 Sharps Disposal Box

1.6mm Mild Steel, Powder coated yellow
Includes plastic disposable sharps container

SD001-S Sharps Disposal Box

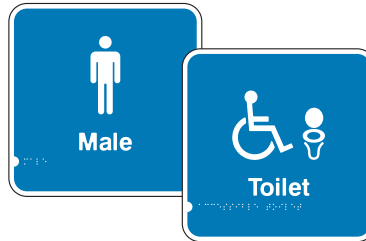
As SD001, but Type 304 Stainless Steel, Satin Finished

When installed correctly, items on this page meet the requirements of Australian Disabled Code AS1428.1, at time of printing, with the exception of specifically marked products [denoted by*].



Grab Bars

Full our full range, please see pages 14 and 15



Tactile Signs

Full our full range, please see page 17



B817190 Folding Shower Seat

Solid Phenolic, Meets Disabled Code 960mm [W] x 390mm [D]

***B5191 Folding Shower Seat**

As B817190, but 455mm [W] x 400mm [D]



B715E Elan™ Hand Dryer



Contemporary styling; Satin Finish type-304 Stainless Steel, 5 year warranty



A8847-DIS Wall Faced Stainless Steel WC Pan with Cistern



As A8847, but for Disabled use



A8851-DIS Wall Faced Stainless Steel WC Pan for Disabled Use



with P- or S-Trap Front or Rear Fixed Watermark Approval W291

To order seat, use: A82 (Black - no lid); or A85 (White - no lid)



B812472 Tilt Mirror

Satin Finish Stainless Steel Frame, for Disabled use 406mm [W] x 960mm [H]

***B293 Series Tilt Mirror**

As B812472, but sizes as shown:
293 1630 - 410mm [W] x 760mm [H]
293 1830 - 460mm [W] x 760mm [H]
293 1836 - 460mm [W] x 910mm [H]
293 2436 - 610mm [W] x 910mm [H]



A8889-1 Meridian™ Single-Station Basin

Satin Finish Stainless Steel

A8889-1-EB Meridian™ Single-Station Basin

A8889-1 including trap cover

For Tapware options - see Taps page 21
 For Multi-Station options - see Basins page 23



B4112 Contura™ Surface-mounted Soap Dispenser



Satin Finish Stainless Steel, Patented 180mm [W] x 155mm [H], 1.2L capacity

B4063 Contura™ Recessed Soap Dispenser



As B4112, but recessed, Patented



B4369 Contura™ Recessed Paper Towel and Waste



Satin Finish Stainless Steel, Patented 325mm [W] x 710mm [H]

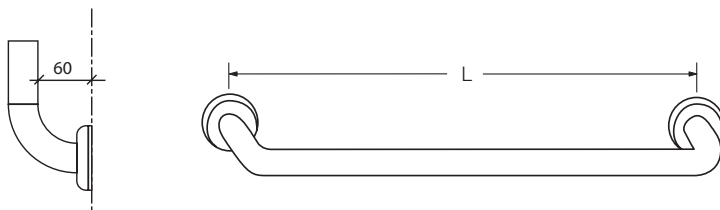
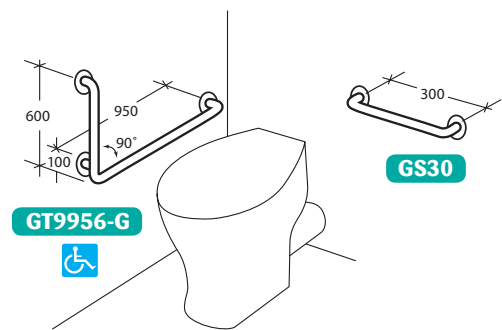
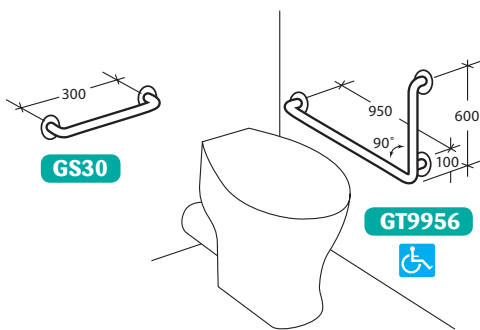
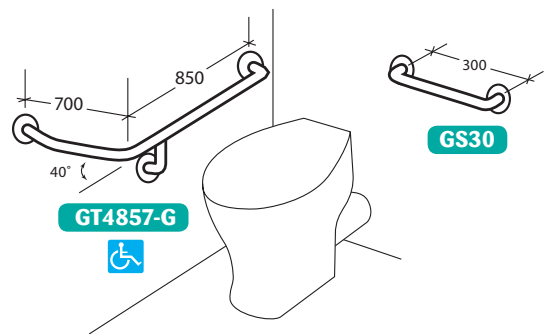
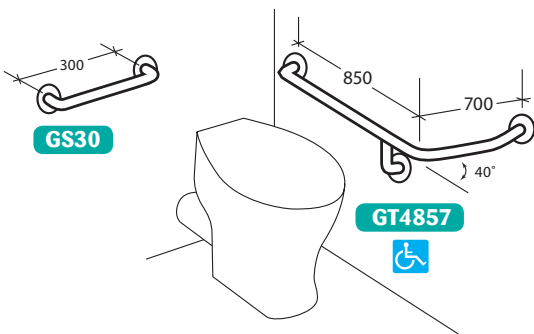
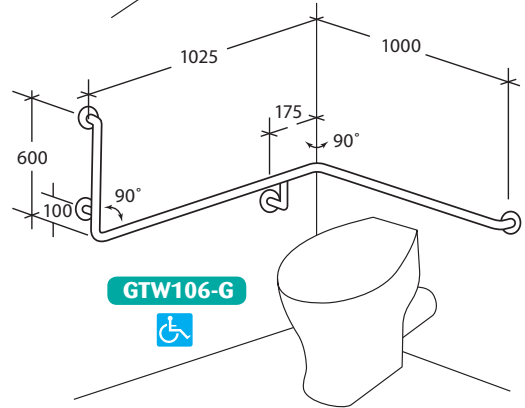
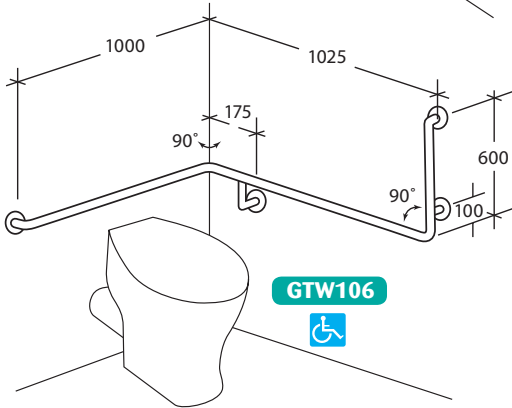
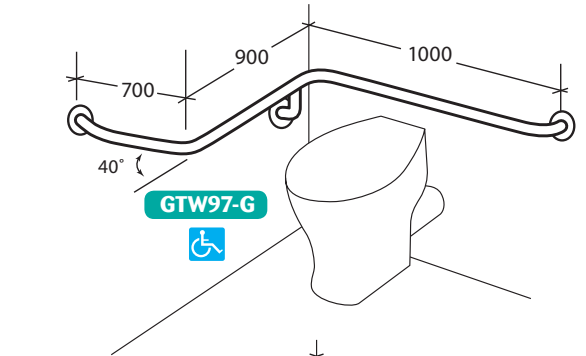
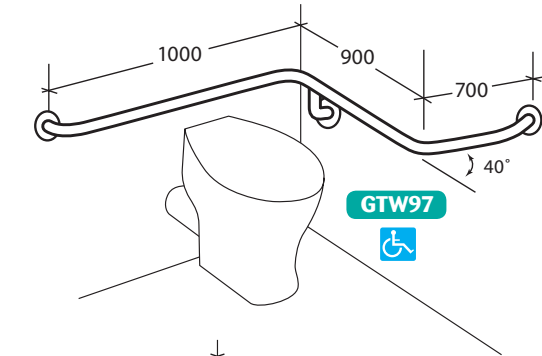
B43699 Contura™ Surface Mounted Paper Towel and Waste



As B4369, but surface mounted, Patented

toilet grab rails

Rails suit Disabled Code AS1428.1-2001 when installed correctly.



GS Series Straight Grab Bar



- GS30 Straight Grab Rail 300mm
- GS45 Straight Grab Rail 450mm
- GS60 Straight Grab Rail 600mm
- GS75 Straight Grab Rail 750mm
- GS90 Straight Grab Rail 900mm
- Other sizes available

DESIGNERS NOTE:

All Rails #304 Stainless Steel, 32mm Dia., 60mm Wall Clearance, Satin Finish, Concealed Fixings - unless otherwise indicated.



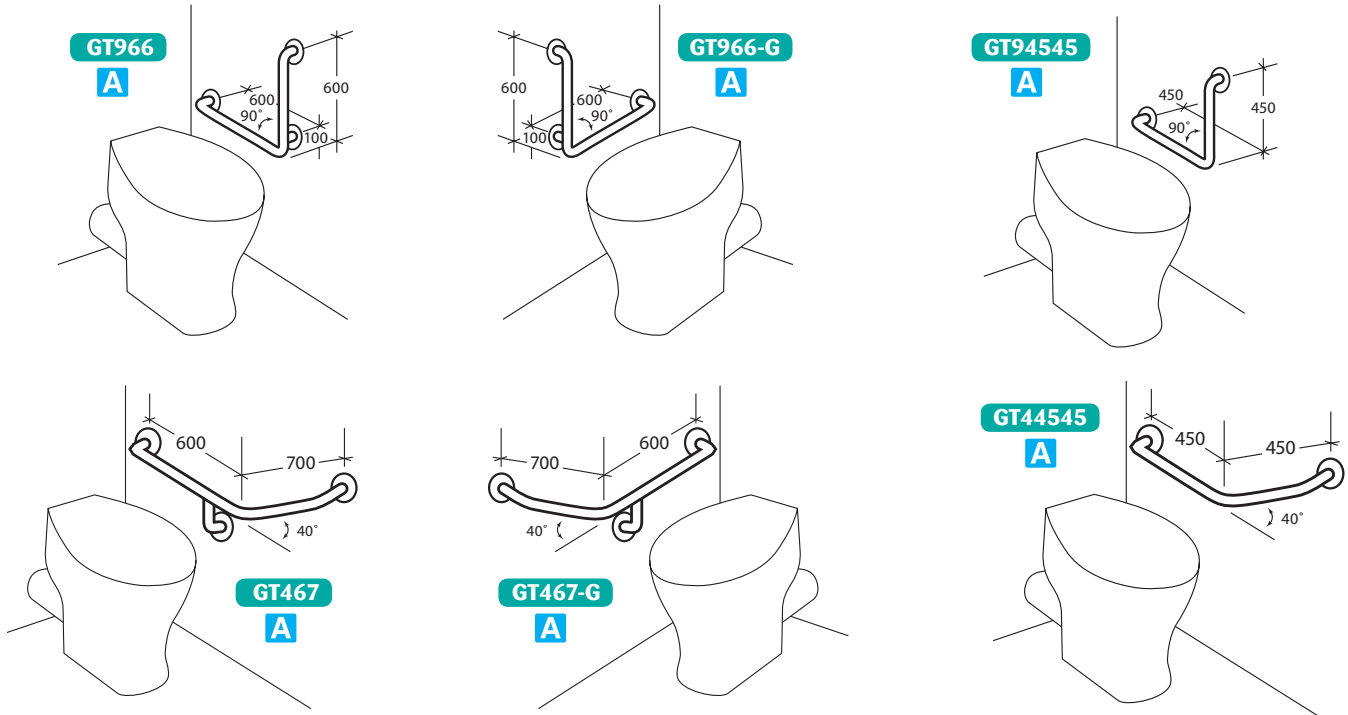
= MEETS DISABLED CODE



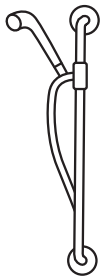
= AMBULANT RAIL ONLY

ambulant toilet grab rails

Ambulant use only.



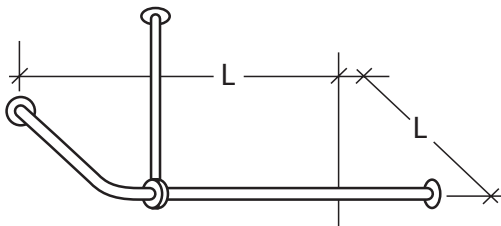
shower grab rails



GSH90 Straight Grab Bar with adjustable Tapered style handset support **ONLY**



GSH90 Straight Grab Rail 900mm (Includes Bracket but not Handset)



GSC Series 90° Angled Shower Curtain Rail

25mm Dia., 1000mm Ceiling Support.

GSC10 1000mm Square

GSC12 1200mm Square

GSC15 1500mm Square

Note: For Shower Curtains & Hooks, use -

B204.1 Shower Curtain Hook, Stainless Steel

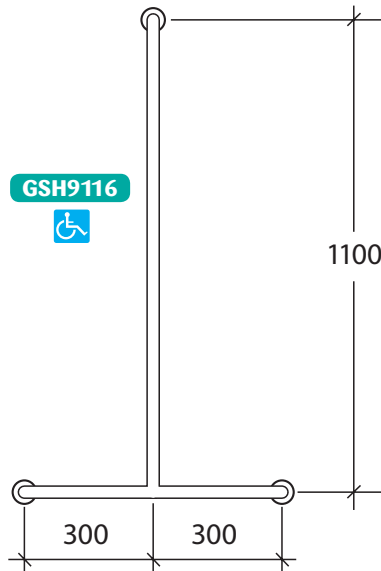
B204.2 Heavy Duty Shower Curtain

[1065mm W x 1830mm H]

B204.3 Heavy Duty Shower Curtain

[1780mm W x 1830mm H]

GSH9116



B6047 Straight Shower Curtain Rail

Standard sizes available

DESIGNERS NOTE:

All Rails #304 Stainless Steel, 32mm Dia., 60mm Wall Clearance, Satin Finish, Concealed Fixings - unless otherwise indicated.



= MEETS DISABLED CODE



= AMBULANT RAIL ONLY

toilets & urinals



A1418 Standard Comby™
 Combined WC & Washbasin.
 Watermark Approval W291
 Includes integrated seat



A1418RND Contoured Comby™
 Combined WC & Washbasin.
 Watermark Approval W291
 Includes integrated seat

DESIGNERS NOTE:
 For Flushing Devices, see page 19



A8832 Wall Faced Stainless Steel WC Pan
 Mounted off the floor, P-Trap, Rear Fixed. Watermark Approval W291
 Includes integrated seat



A8841-RM Wall Faced Stainless Steel WC Pan
 with P-Trap, Rear Fixed. Watermark Approval W291
 Includes integrated seat



A8851 Wall Faced Stainless Steel WC Pan
 with P- or S-Trap, Front or Rear Fixed. Watermark Approval W291
 Includes integrated seat



A8851-DIS Wall Faced Stainless Steel WC Pan for Disabled Use
 with P- or S-Trap Front or Rear Fixed. Watermark Approval W291.
 Hinged seat must be ordered separately

A8841-FA Wall Faced Stainless Steel WC Pan
 As A8841, but Front Fixed
 Includes integrated seat



A8921 Stainless Steel Wall-mounted P-Trap Urinal, Front or Rear Fixed
 Rear Entry with Concealed Flush Pipe
 349mm [W] x 562 [H]

A8920 Stainless Steel Wall-mounted P-Trap Urinal, Front or Rear Fixed
 Top Entry for Exposed Flush Pipe
 349mm [W] x 562 [H]



A8847 Wall Faced Stainless Steel WC Pan with Cistern
 with P- or S-Trap Front Fixed. Watermark Approval W291.
 Seat must be ordered separately



A8847-DIS Wall Faced Stainless Steel WC Pan with Cistern
 As A8847, but for Disabled use

DESIGNERS NOTE:
 To specify matching seat, use model A86

toilets



A8834-FA Classic Wall Hung
Stainless Steel WC Pan
P-Trap, Front Fixed

A8834-RM As A8834-FA,
but Rear Fixed



A8843-FA Classic Wall Faced
Stainless Steel WC Pan
P-Trap, Front Fixed

A8843-RM As A8843-FA,
but rear Fixed



A8853 Classic Wall Faced
Stainless Steel WC Pan
P- or S-Trap, Front or Rear Fixed

 **A8853-DIS** Classic Wall Faced
Stainless Steel WC Pan
for Disabled Use
P- or S-Trap, Front or Rear Fixed

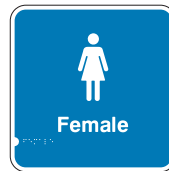


For Flushing Devices - see page 19

tactile signs



TS001-S Braille & Tactile Sign
- Male
Stainless Steel



TS002-S Braille & Tactile Sign
- Female
Stainless Steel



TS003-S Braille & Tactile Sign
- Male Toilet
Stainless Steel



TS004-S Braille & Tactile Sign
- Female Toilet
Stainless Steel



TS005-S Braille & Tactile Sign
- Accessible Toilet
Stainless Steel



TS006-S Braille & Tactile Sign
- Unisex Toilet
Stainless Steel



TS007-S Braille & Tactile Sign
- Unisex Accessible Toilet
Stainless Steel



TS008-S Braille & Tactile Sign
- Unisex Accessible Toilet
and Shower
Stainless Steel

security accessories



B1556 Series **Frameless Stainless Steel Mirror**

Bright Polished Stainless Steel
B1556 1620 - 440mm [W] x 500mm [H]
B1556 1824 - 445mm [W] x 600mm [H]
B1556 1830 - 445mm [W] x 750mm [H]
B1556 2436 - 600mm [W] x 900mm [H]
 Custom sizes available



B1817 **Stainless Steel Integral Framed Mirror, Front Fixed**
 286mm [W] x 438mm [H]



A1810 **Stainless Steel Security Framed Mirror, Rear Fixed**
 305mm [W] x 405mm [H]

A1811 **Stainless Steel Security Framed Mirror, Front Fixed**
 305mm [W] x 405mm [H]



AF501 **Sensor Operated Electronic Urinal Flush System**

1 to 3 Stalls

AF501.2 **Sensor Operated Electronic Urinal Flush System**

4 to 6 Stalls

= WATER SAVER



A1833 **Recessed Shower Shelf, Rear Fixed**

Satin Finish Stainless Steel
 200mm [W] x 300mm [H]

A1833-FA **Recessed Shower Shelf, Front Fixed**

As A1833, but front fixed



A1840 **Recessed Security Toilet Roll Holder, Rear Fixed**

Vandal and Suicide Resistant
 178mm [Sq]

A1840-FA **Recessed Security Toilet Roll Holder, Front Fixed**

Vandal and Suicide Resistant
 178mm [Sq]



A1836 **Surface-mounted Security Soap Dish, Front Fixed**

125mm [W] x 45mm [H]

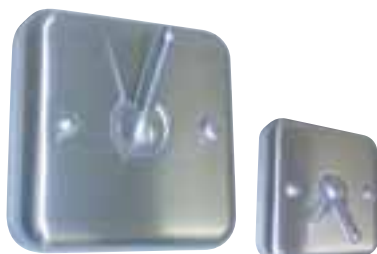


A1821 **Stainless Steel Shelf, Rear Fixed**

Vandal and Suicide Resistant
 406mm [W] x 63mm [H]

A1821-FA **Stainless Steel Shelf, Front Fixed**

As A1821, but Front Fixed



A1830 **Auto Release Hook, Front Fixed, Stainless Steel**

Satin Finish, Vandal and Suicide Resistant. 108mm [Sq]

A1829 **Auto Release Hook, Rear Fixed, Stainless Steel**

As A1830, but rear fixed



A1113-KL **Heavy Duty Vandal Resistant Double Toilet Roll Holder**

Satin Finished Stainless Steel
 255mm [W]

A1113-PL **Heavy Duty Vandal Resistant Double Toilet Roll Holder**

As above, but with padlock



A1832 **Recessed Security Soap Dish, Rear Fixed**

Satin Finish Stainless Steel
 178mm [W] x 127mm [H]

A1832-FA **Recessed Security Soap Dish, Front Fixed**

As A1832, but Front Fixed.



AB2637-ST Concealed Inwall Toilet Flush Valve
 W without Ball Valve



AB2637-RA Remote Activated Toilet Flush Valve
 W



AB2637-SO Sensor Operated Toilet Flush Valve
 W

AB2637-BV Concealed Inwall Toilet Flush Valve
 W with Ball Valve



AB2637-TB Dual Flush Touch Button Flush Valve
 W



AB2525 Concealed Inwall Urinal Flush Valve



AB2628 Exposed Toilet Flush Valve
 W



AB2521 Exposed Urinal Flush Valve



AF501 Sensor Operated Electronic Urinal Flush System
 1 to 3 Stalls

AF501.2 Sensor Operated Electronic Urinal Flush System
 4 to 6 Stalls

 = WATER SAVER

showers



A519-2 Vandal Resistant Shower Rose

A519-1 Set [Rose + Hot&C Handles]



A519-3 Vandal Resistant Handle - Cold

A519-4 Vandal Resistant Handle - Hot



B817190 Folding Shower Seat
Solid Phenolic, Meets Disabled Code
960mm [W] x 355mm [D]

B5191 Folding Shower Seat



DESIGNERS NOTE:

All free standing showers available with Foot-spray option.

A700 Series

Column Showers

Stainless Steel, Vandal Resistant
4-6 Station, Single Drainage Point



A900 Series

Stainless Steel Pylon Showers

2-4 Users, Vandal Resistant, Self Closing Tapware
1902mm [H] x 203mm [Sq]

AB6200

Cobra Stainless Steel Shower

Vandal Resistant
3250mm [H]



A1741-FA Stainless Steel Eco Shower

Vandal and Suicide Resistant.
Tapware: Self-closing or standard
203mm [W] x 508mm [H]



B204.1 Shower Curtain Hook

Stainless Steel

B204.2 Shower Curtain

Vinyl, 1065mm [W] x 1830mm [H]

B204.3 Shower Curtain

Vinyl, 1780mm [W] x 1830mm [H]

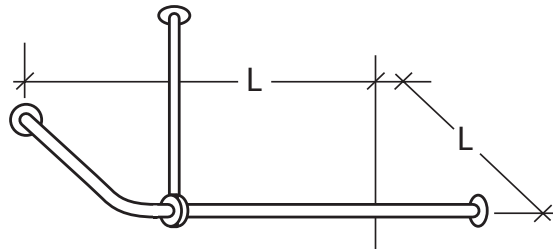
B6047 Series Straight Shower Curtain Rail

Standard sizes available



Crescent Rod
creates more room in the shower

Standard lengths 1525mm & 1800mm
Bright or Satin Stainless Steel



90° Shower Curtain Rails

GSC10 - 1000mm Sq

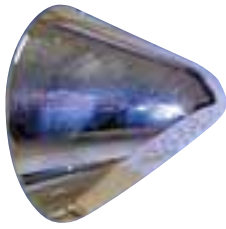
GSC12 - 1200mm Sq

GSC15 - 1500mm Sq

Available options include site adjustable and aluminium track



= WATER SAVER



A519-2 Vandal Resistant Shower Head



A519-3 Vandal Resistant Handle - Cold



A519-4 Vandal Resistant Handle - Hot



A519-1 Set [Shower Head + Hot & Cold Handles]



AB2338 Self Closing Shower Tap - Single Temp



AB2181 Wall Mounted Self Closing Tap



AB2150 Self Closing Basin Mounted Mixed



AB2180 Self Closing Tap - Single Temp



AB5180 Sensor Operated Mixer Tap



Battery Powered

AB5183 Sensor Operated Mixer Tap



Mains Powered



AB5181 Sensor Tap - Single Temp



Battery Powered

AB5184 Sensor Tap - Single Temp



Mains Powered



= WATER SAVER

basins



A8860-1 Wall-mounted Stainless Steel Wash Basin
Waste Outlet and Fixing Brackets Supplied. 500mm [W] x 400mm [D]



A8861 Round Inset Stainless Steel Wash Basin
Waste Outlet & Fixing Toggles Supplied. 460mm [Dia] Satin Finish



A8862 Ledgeback 'D' Round Inset Stainless Steel Wash Basin
Waste Outlet & Fixing Toggles Supplied. 460mm [Dia] Satin Finish

A8863 Round Inset Stainless Steel Wash Basin
As A8861, but 300mm [Dia]



A8880 Security Stainless Steel Wash Basin
Rear Fixed, Vandal and Suicide Resistant. 425mm [W] x 405mm [H]

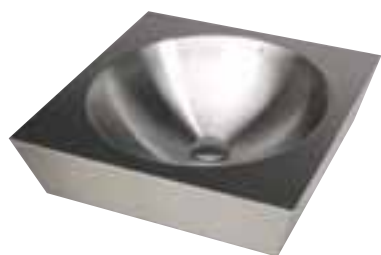
A8880-FA Security Stainless Steel Wash Basin
As A8880, but Front Fixed

 **A8880-DIS Security Stainless Steel Wash Basin**
Disabled version of A8880



A3506 6 User Basin
Hand, Foot or Sensor Operated Space Saving, Single Supply and Drainage. 972mm [Dia.]

A3508 8 User Basin
Hand, Foot or Sensor Operated Space Saving, Single Supply and Drainage. 1372mm [Dia.]



A8933 'Tazon' Stainless Steel Above Counter Basin
470mm Sq x 120mm D



A8934 'Vizza' Stainless Steel Above Counter Basin
470mm Sq x 120mm D



A3673 'Ebb' Stainless Steel Underslung Basin, Concealed Waste
Available in single, double, shallow or deep options

Curvalinear™ tapware options

DESIGNERS NOTE: To specify trap cover, use suffix -EB, eg. A8889-1-EB



A8889-1 Curvalinear™ Single-Station Basin

Satin Finish Stainless Steel

A8889-1-EB Curvalinear™ Single-Station Basin

A8889-1 including trap cover



A8889-3 Curvalinear™ Triple-Station Basin

Satin Finish Stainless Steel

A8889-3-EB Curvalinear™ Triple-Station Basin

A8889-3 including trap covers



A8889-2 Curvalinear™ Double-Station Basin

Satin Finish Stainless Steel

A8889-2-EB Curvalinear™ Double-Station Basin

A8889-2 including trap covers



A8889-4 Curvalinear™ Quad-Station Basin

Satin Finish Stainless Steel

A8889-4-EB Curvalinear™ Quad-Station Basin

A8889-4 including trap covers

DESIGNERS NOTE:

Curvalinear basins are suitable for disabled use, providing appropriate tapware is used.



Curvalinear™ options



For Heavy Duty Self-closing Tap & spout, use suffix **-THD**. Includes 2 year warranty.



For Economy Self -closing Tap, use suffix **-TEC**.



For Tapware to suit Disabled Code, use suffix **-TDIS**. Includes 2 year warranty.

water coolers



C600 Series Recessed
Standard Capacities. Glass Filler and WaterSentry™ Filter Optional



C700 Series Spacette (Budget)
Standard Capacities. Glass Filler and WaterSentry™ Filter Optional



C700-S Spacette with Stainless Steel Shroud



C4002 Double Station



C4003 Triple Station



OPTIONS Glass Filler



Water Filter

water coolers



C30030 Ezy Single, Touch Control

C30130 Ezy Single, Sensor Operation



C30230 Ezy Split Level, Touch Control



C20028 SwirlFlo Single, 28 Litre Recovery



C20228 SwirlFlo Split Level, 28 Litre Recovery

drinking fountains



A8902

Stainless Steel Wall-fixed Drinking Fountain

305mm [W] x 915mm [H]

A8902-JH

As A8902 but Junior Height

305mm [W] x 762mm [H]



A8903

Stainless Steel Drinking Fountain

279 [Dia.] x 915mm [H]

A8903-JH

As A8903 but Junior Height

279 [Dia.] x 762mm [H]



A8901

Stainless Steel Wall-mounted Drinking Fountain

Undershroud to Conceal Pipework
305mm [W] x 320mm [H]

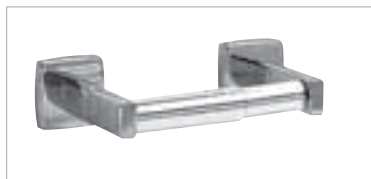


A8900

Stainless Steel Wall-mounted Drinking Fountain

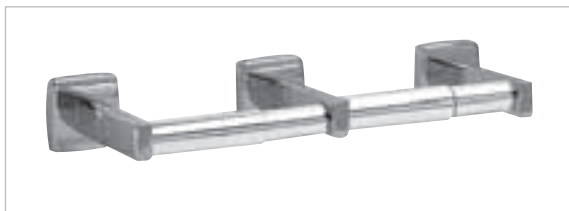
305mm [W] x 227mm [H]

classic budget accessories



B7685
Classic Series Toilet Roll Holder
Budget-priced model
Single
Bright Polished Stainless Steel

B76857
Classic Series Toilet Roll Holder
As B7685, but Satin Finish



B7686
Classic Series Toilet Roll Holder
Budget-priced model
Double. Bright Polished Stainless Steel

B76867
Classic Series Toilet Roll Holder
As B7686, but Satin Finish



B7680
Classic Series Soap Dish
Budget-priced model
Bright Polished Stainless Steel

B76807
Classic Series Soap Dish
As B7680, but Satin Finish



B7671
Classic Series Hook
Budget-priced model
Bright Polished Stainless Steel

B76717
Classic Series Hook
As B7671, but Satin Finish



B165
Classic Series Mirror
Bright Polished Stainless Steel Frame
(Type 400). Standard sizes available.
B165 2436
610mm [W] x 910mm [H]



B7682
Classic Series Hook
Budget-priced model
Bright Polished Stainless Steel

B76827
Classic Series Hook
As B7682, but Satin Finish



B7636
Classic Series Retractable
Clothesline
Budget-priced model
Bright Polished Stainless Steel
3050mm Nylon Cord



B40
Soap Dispenser
Budget-priced model
Black & Grey ABS Plastic
Capacity 1.2L



B2111
Classic Series Soap
Dispenser
Budget-priced model
Satin Finish Stainless Steel
Capacity 1.2L



B262
Classic Series Paper
Towel Dispenser
Budget-priced model
Satin Finish Stainless Steel



B279
Classic Series
Waste Bin
Budget-priced model
Satin Finish Stainless Steel
Waste Capacity: 24L

Contact RBA for additional Budget models.

Designed by Luigi Boni Made in Italy Stocked in Australia

14mm stainless steel



OK11 'Key' Soap Dish 190mm

-033 for Bright Polish
-039 for Satin Finish



OK111 'Key' Soap Dish 80mm

-033 for Bright Polish
-039 for Satin Finish



OK22 'Key' Towel Rail 330mm

-033 for Bright Polish
-039 for Satin Finish

OK23 'Key' Towel Rail 480mm

-033 for Bright Polish
-039 for Satin Finish



OK60 'Key' Shelf 330mm

-033 for Bright Polish
-039 for Satin Finish

OK61 'Key' Shelf 630mm

-033 for Bright Polish
-039 for Satin Finish



OK24 'Key' Towel Rail 630mm

-033 for Bright Polish
-039 for Satin Finish

OK27 'Key' Towel Rail 730mm

-033 for Bright Polish
-039 for Satin Finish



OK33 'Key' Toilet Roll Holder 160mm

-033 for Bright Polish
-039 for Satin Finish



OK51 'Key' Clothes Hook 70mm

-033 for Bright Polish
-039 for Satin Finish



OK53 'Key' Clothes Hook 90mm

-033 for Bright Polish
-039 for Satin Finish

'Guest'

25mm stainless steel

Designed by Luigi Boni

Made in Italy

Stocked in Australia



OGT11 'Guest' Soap Dish 130mm

-033 for Bright Polish
-039 for Satin Finish



OGT22 'Guest' Towel Rail 330mm

-033 for Bright Polish
-039 for Satin Finish



OGT60 'Guest' Shelf 345mm

-033 for Bright Polish
-039 for Satin Finish

OGT23 'Guest' Towel Rail 430mm

-033 for Bright Polish
-039 for Satin Finish

OGT61 'Guest' Shelf 645mm

-033 for Bright Polish
-039 for Satin Finish

OGT24 'Guest' Towel Rail 640mm

-033 for Bright Polish
-039 for Satin Finish

OGT27 'Guest' Towel Rail 770mm

-033 for Bright Polish
-039 for Satin Finish



OV31 'Guest' Toilet Brush Holder

90mm [W] x 360mm [H]
-033 for Bright Polish
-039 for Satin Finish



OGT33 'Guest' Toilet Roll Holder 170mm

-033 for Bright Polish
-039 for Satin Finish



OGT51 'Guest' Clothes Hook 85mm

-033 for Bright Polish
-039 for Satin Finish

OV31/E610 'Guest' Wall Mounted Toilet Brush Holder

150mm [W] x 360mm [H]
-033 for Bright Polish
-039 for Satin Finish



OGT63 'Guest' Towel Holder 520mm

-033 for Bright Polish
-039 for Satin Finish



OE421 'Guest' Shower Shelves

200mm [W] x 260mm [H]
-033 for Bright Polish
-039 for Satin Finish



OGT53 'Guest' Clothes Hook 80mm

-033 for Bright Polish
-039 for Satin Finish

Designed by Luigi Boni Made in Italy Stocked in Australia



OSG11 'Single' Soap Dish

160mm [W] x 130mm [D] x 40mm [H]
-009 for Satin Finish
-013 for Bright Polish



OSG22 'Single' Towel Rail

340mm [W] x 80mm [D] x 40mm [H]
-009 for Satin Finish
-013 for Bright Polish



OSG60 'Single' Shelf

330mm [W] x 110mm [D] x 40mm [H]
-009 for Satin Finish
-013 for Bright Polish



OSG23 'Single' Towel Rail

490mm [W] x 80mm [D] x 40mm [H]
-009 for Satin Finish
-013 for Bright Polish



OSG61 'Single' Shelf

630mm [W] x 110mm [D] x 40mm [H]
-009 for Satin Finish
-013 for Bright Polish



OSG24 'Single' Towel Rail

630mm [W] x 80mm [D] x 40mm [H]
-009 for Satin Finish
-013 for Bright Polish



OSG33 'Single' Toilet Roll Holder

160mm [W] x 80mm [D] x 40mm [H]
-009 for Satin Finish
-013 for Bright Polish



OSG51 'Single' Hook

40mm [W] x 60mm [D] x 40mm [H]
-009 for Satin Finish
-013 for Bright Polish



OSG42 'Single' Toilet Brush Holder

90mm Dia x 400mm [H]
-009 for Satin Finish
-013 for Bright Polish



OSG43 'Single' Toilet Brush Holder [Wall Mounted]

90mm [W] x 150mm [D] x 400mm [H]
-009 for Satin Finish
-013 for Bright Polish



OLT11 'Lingotto' Soap Dish

155mm [W] x 110mm [D] x 25mm [H]
-009 for Satin Finish
-013 for Bright Polish



OLT22 'Lingotto' Towel Rail

300mm [W] x 70mm [D] x 25mm [H]
-009 for Satin Finish
-013 for Bright Polish



OLT60 'Lingotto' Shelf

300mm [W] x 110mm [D] x 25mm [H]
-009 for Satin Finish
-013 for Bright Polish



OLT23 'Lingotto' Towel Rail

450mm [W] x 70mm [D] x 25mm [H]
-009 for Satin Finish
-013 for Bright Polish



OLT61 'Lingotto' Shelf

600mm [W] x 110mm [D] x 25mm [H]
-009 for Satin Finish
-013 for Bright Polish



OLT24 'Lingotto' Towel Rail

600mm [W] x 70mm [D] x 25mm [H]
-009 for Satin Finish
-013 for Bright Polish



OLT33 'Lingotto' Toilet Roll Holder

140mm [W] x 90mm [D] x 35mm [H]
-009 for Satin Finish
-013 for Bright Polish



OLT51 'Lingotto' Hook

50mm [W] x 25mm [D] x 60mm [H]
-009 for Satin Finish
-013 for Bright Polish



OLT480 'Lingotto' Shower Shelf

300mm [W] x 110mm [D] x 80mm [H]
-009 for Satin Finish
-013 for Bright Polish

Designed by Luigi Boni Made in Italy Stocked in Australia



OCR11 'Corner' Soap Dish 160mm

-009 for Satin Finish
-013 for Bright Polish



OCR22 'Corner' Towel Rail 300mm

-009 for Satin Finish
-013 for Bright Polish



OCR60 'Corner' Shelf 300mm

-009 for Satin Finish
-013 for Bright Polish



OCR23 'Corner' Towel Rail 450mm

-009 for Satin Finish
-013 for Bright Polish



OCR61 'Corner' Shelf 600mm

-009 for Satin Finish
-013 for Bright Polish



OCR24 'Corner' Towel Rail 600mm

-009 for Satin Finish
-013 for Bright Polish



OCR33 'Corner' Toilet Roll Holder

-009 for Satin Finish
-013 for Bright Polish



OCR51 'Corner' Hook

-009 for Satin Finish
-013 for Bright Polish



OCR41 'Corner' Toilet Brush Holder

-009 for Satin Finish
-013 for Bright Polish

'Tendo'

Designed by Luigi Boni Made in Italy Stocked in Australia



OTD11 'Tendo' Soap Dish
155mm [W] x 115mm [D] x 25mm [H]
-009 for Satin Finish
-013 for Bright Polish



OTD22 'Tendo' Towel Rail
300mm [W] x 90mm [D] x 15mm [H]
-009 for Satin Finish
-013 for Bright Polish



OTD60 'Tendo' Shelf
305mm [W] x 120mm [D] x 25mm [H]
-009 for Satin Finish
-013 for Bright Polish



OTD23 'Tendo' Towel Rail
450mm [W] x 90mm [D] x 15mm [H]
-009 for Satin Finish
-013 for Bright Polish



OTD61 'Tendo' Shelf
600mm [W] x 128mm [D] x 25mm [H]
-009 for Satin Finish
-013 for Bright Polish



OTD24 'Tendo' Towel Rail
600mm [W] x 90mm [D] x 15mm [H]
-009 for Satin Finish
-013 for Bright Polish



OTD41 'Tendo' Toilet Brush Holder
90mm [W] x 85mm [D] x 410mm [H]
-009 for Satin Finish
-013 for Bright Polish



OTD456 'Tendo' Soap Dispenser
90mm [W] x 85mm [D] x 175mm [H]
-009 for Satin Finish
-013 for Bright Polish



OTD51 'Tendo' Hook
15mm [W] x 40mm [D] x 60mm [H]
-009 for Satin Finish
-013 for Bright Polish



OTD33 'Tendo' Toilet Roll Holder
168mm [W] x 85mm [D] x 30mm [H]
-009 for Satin Finish
-013 for Bright Polish

OTD42 'Tendo' Toilet Brush Holder [Wall Mounted]
90mm [W] x 95mm [D] x 410mm [H]
-009 for Satin Finish
-013 for Bright Polish

Designed by Luigi Boni Made in Italy Stocked in Australia



OKB11 'Kubo' Soap Dish
-009 for Satin Finish
-013 for Bright Polish



OKB60 'Kubo' Shelf 310mm
-009 for Satin Finish
-013 for Bright Polish



OKB22 'Kubo' Towel Rail 310mm
-009 for Satin Finish
-013 for Bright Polish

OKB61 'Kubo' Shelf 610mm
-009 for Satin Finish
-013 for Bright Polish

OKB23 'Kubo' Towel Rail 460mm
-009 for Satin Finish
-013 for Bright Polish

OKB24 'Kubo' Towel Rail 610mm
-009 for Satin Finish
-013 for Bright Polish



OKB41 'Kubo' Toilet Brush Holder
-009 for Satin Finish
-013 for Bright Polish



OKB51 'Kubo' Hook
-009 for Satin Finish
-013 for Bright Polish



OKB33 'Kubo' Toilet Roll Holder
-009 for Satin Finish
-013 for Bright Polish

OKB42 'Kubo' Toilet Brush Holder [Wall Mounted]
-009 for Satin Finish
-013 for Bright Polish

'Musa'



OMS11 'Musa' Soap Dish
165mm [W] x 125mm [D] x 30mm [H]
-009 for Satin Finish
-013 for Bright Polish



OMS60 'Musa' Crystal Shelf
350mm [W] x 125mm [D] x 30mm [H]
-009 for Satin Finish
-013 for Bright Polish

OMS61 'Musa' Crystal Shelf
650mm [W] x 125mm [D] x 30mm [H]
-009 for Satin Finish
-013 for Bright Polish



OMS22 'Musa' Towel Rail
350mm [W] x 75mm [D] x 25mm [H]
-009 for Satin Finish
-013 for Bright Polish

OMS23 'Musa' Towel Rail
500mm [W] x 75mm [D] x 25mm [H]
-009 for Satin Finish
-013 for Bright Polish

OMS24 'Musa' Towel Rail
650mm [W] x 75mm [D] x 25mm [H]
-009 for Satin Finish
-013 for Bright Polish



OMS33 'Musa' Toilet Roll Holder
185mm [W] x 80mm [D] x 25mm [H]
-009 for Satin Finish
-013 for Bright Polish



OMS52 'Musa' Hook
22mm Dia x 45mm [D]
-009 for Satin Finish
-013 for Bright Polish



OMS51 'Musa' Hook
16mm Dia x 45mm [D]
-009 for Satin Finish
-013 for Bright Polish



rba

NEW SOUTH WALES

Level 1, 32 Frederick Street
Oatley NSW 2223
nsw@rba.com.au

QUEENSLAND

3374 Pacific Highway
Springwood QLD 4127
qld@rba.com.au

VICTORIA

103 Camberwell Road
East Hawthorn VIC 3123
vic@rba.com.au

Phone: 1300 788 778 • Fax: 1300 788 878

info@rba.com.au

Designs, dimensions, products and features are subject to change without notice.
RBA Group reserves the right to furnish product of current design for all orders.
Refer data sheets for detailed product specifications.



www.rba.com.au