

PREMIUM DESIGN MEETS PREMIUM TECHNOLOGY



belling
DESIGN COLLECTION

INNOVATING
SINCE 1912

PREMIUM DESIGN MEETS PREMIUM TECHNOLOGY

BELLING.COM.AU

belling
DESIGN COLLECTION

INNOVATING
SINCE 1912

Contents

- 02 THE BELLING HISTORY
- 04 THE BELLING EXPERIENCE
- 06 BELLING DESIGN COLLECTION
- 08 BUILT-IN OVENS
- 20 UPRIGHT
- 24 COOKTOPS
- 34 DISHWASHERS
- 40 RANGEHOODS
- 46 SPECIFICATIONS

PREMIUM DESIGN MEETS PREMIUM TECHNOLOGY



The Belling History

Belling has been revolutionising kitchen appliances for over a century to become one of Australia's favourite home brands. Our rich 100-year history has seen the launch of a number of world firsts, always meeting the highest of demands in terms of flawless design, innovation, exquisite quality and world-leading technology.

Over the years, Belling products have always stayed ahead of the game, constantly updating to remain at the forefront of innovations, but one thing has always remained the same: our dedication to quality, choice, reliability and service. Our Founder, Charles Belling, regularly used the catchphrase "You can't beat a Belling" and this statement remains true in 2020. Over a century later, we've stayed true to Charles' vision for the company, focusing on producing innovative, reliable and well-made products and making sure Belling's appliances are the starting point for unforgettable culinary experiences.



The Belling Experience

Belling has been bringing smart innovation to kitchens for over a century so each appliance in the Design Collection is 100 years of expert craftsmanship in the making. Rated #1 for oven brands in Finder's 2019/2020 Retail Awards after being recommended by 100% of the people surveyed, the British heritage brand is one of the most trusted names in the industry.



Dedicated to bringing you the highest quality and reliability. Belling is one of the world's most experienced kitchen appliance manufacturers.

Belling Design Collection

Premium design meets premium technology with the Belling Design Collection. Enhance any kitchen space with built-in and freestanding ovens featuring sleek 'Pure Black' oven glass, cooktops made from stainless steel or high-grade Italian tempered glass and ultra-stylish dishwashers that are refined in both look and function. Each appliance has been expertly designed with style at the forefront to create a sophisticated and seamless finish.

With premium features such as soft-closing doors, digital programming, ceramic surfaces, touch and slide controls, this collection combines high-end visuals with a flawless aesthetic. Improve any kitchen space by using a trusted brand that has been bringing premium design and innovative technology to people's homes for over a century.



BUILT-IN OVENS

BUILT-IN / COMBINATION STEAM MICROWAVE / WARMING DRAWER

Huge Oven Capacity

Maximum capacity, endless results. With a huge total oven capacity, you have the freedom to cook whatever your heart desires.

Extra-Large Oven Tray

The unparalleled 50mm deep extra-large oven tray lets you utilise the huge oven capacity to the fullest, giving you the ultimate flexibility to cook for your whole family.

EasyFix Telescopic Rail

The full-extension EasyFix telescopic rail allows you to effortlessly slide oven accessories in and out of the oven. Perfect for handling heavy baking trays when preparing a Sunday roast.

Pyrolytic Self-Cleaning

Looking after your oven has never been easier. Simply use the Belling Pyrolytic Self-Cleaning function to reduce grease and food residue to ash before wiping away with a damp cloth.

Digital Programmer & Timer

The touch control programmable timer allows you to set a simple minute minder to alert you when your selected cooking duration has ended, as well as program your start time and cooking duration for ultimate flexibility. You can also use it as a kitchen timer for smaller tasks such as boiling eggs or cooking pasta.

ReadyCook Recipe Assist

Cooking has never been more fun than with the Belling ReadyCook™ oven. Follow the intuitive display and choose from one of the 150 pre-programmed recipes or select your own settings in manual mode with minimal effort.

*Select models only



BDO9608BK

90 X 60 CM Built-in Black Glass Oven

KEY FEATURES

- | | | |
|--------------------|-------------------------|----------------------|
| 8 Function Oven | 'Pure Black' Oven Glass | Soft-Closing Door |
| LED Display | Extra-Large Oven Tray | Digital Programmer |
| 135 Litre Capacity | Twin Fan System | Manual Control Knobs |

PRODUCT DIMENSIONS

895 (w) x 595 (h) x 558 (d)



BDO9611BK

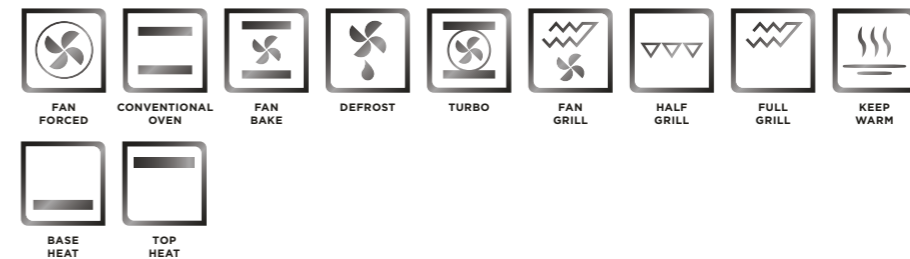
90 X 60 CM Built-in Black Glass Oven

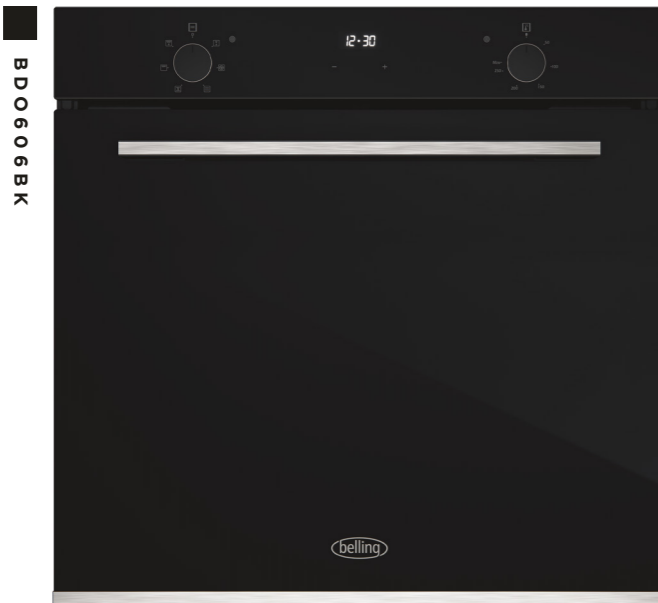
KEY FEATURES

- | | | |
|--------------------|-------------------------|-------------------------|
| 11 Function Oven | 'Pure Black' Oven Glass | Soft-Closing Door |
| Full-Touch Display | Extra-Large Oven Tray | EasyFix Telescopic Rail |
| 135 Litre Capacity | Twin Fan System | Digital Programmer |

PRODUCT DIMENSIONS

895 (w) x 595 (h) x 558 (d)





BDO606BK

60CM Built-in Black Glass Oven

KEY FEATURES

- 6 Function Oven
- 'Pure Black' Oven Glass
- 10amp Plug
- Digital Timer
- 90 Litre Capacity

PRODUCT DIMENSIONS

597 (w) x 595 (h) x 572 (d)



FAN FORCED



CONVENTIONAL OVEN



FAN BAKE



DEFROST



FULL GRILL



FAN GRILL



BDO609BK

60CM Built-in Black Glass Oven

KEY FEATURES

- 9 Function Oven
- Deep-Dish Baking Tray
- EasyFix Telescopic Rails
- 90L Capacity
- Digital Programmer
- 'Pure Black' Oven Glass
- Soft-Closing Door

PRODUCT DIMENSIONS

597 (w) x 595 (h) x 572 (d)



FAN FORCED



CONVENTIONAL OVEN



FAN BAKE



DEFROST



HALF GRILL



FAN GRILL



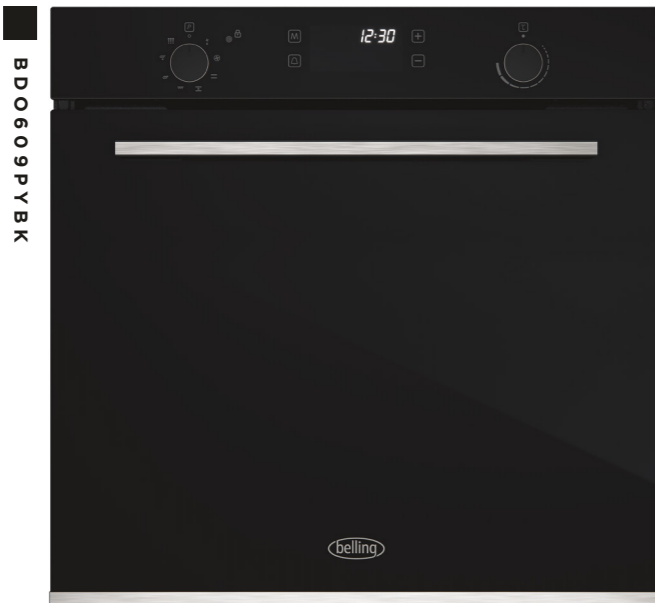
FULL GRILL



PIZZA



LIGHT



60CM
Built-In Pyrolytic Oven

KEY FEATURES

- | | | |
|-------------------|-------------------------|-----------------------------|
| 9 Function Oven | 'Pure Black' Oven Glass | Soft-Closing Door |
| Touch Display | Deep-Dish Baking Tray | x2 EasyFix Telescopic Rails |
| 90 Litre Capacity | Pyrolytic Self-Clean | |

PRODUCT DIMENSIONS

597 (w) x 595 (h) x 572 (d)



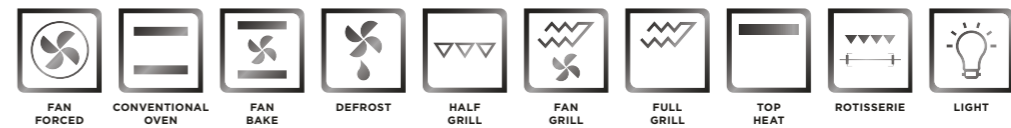
60CM
Built-In ReadyCook Oven

KEY FEATURES

- | | | |
|-------------------------|----------------------------|-----------------------------|
| 10 Function Oven | ReadyCook Recipe Assist | Deep-Dish Baking Tray |
| Full-Colour TFT Display | 150 Pre-Programmed Recipes | Soft-Closing Door |
| 90 Litre Capacity | VapourClean | x2 EasyFix Telescopic Rails |

PRODUCT DIMENSIONS

597 (w) x 595 (h) x 572 (d)



BD45CSBK



45 CM Combination Steam Microwave Oven

KEY FEATURES

Multifunction Oven With Steam	Microwave	Grill And Convection
34 Litre Oven Capacity	Auto Open Water Tank	Automatic Programs
Digital Programmer	Cooking with Steam	80 Pre-Programmed Recipes

PRODUCT DIMENSIONS

595 (w) x 454 (h) x 525 (d)



BD28MBK



28 L Built-in Microwave Oven

KEY FEATURES

28L Oven Capacity	Defrost Settings	Being Family
Digital Programmer	30 Second Quick Start	
Precise Heating Control	Automatic Cooking Functions	

PRODUCT DIMENSIONS

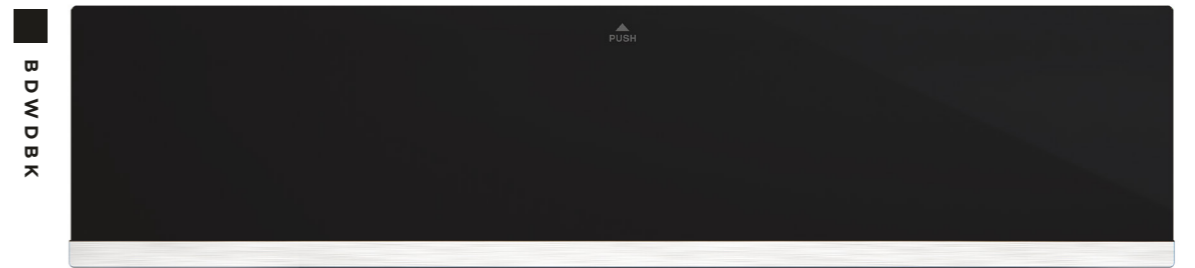
595 (w) x 388 (h) x 400 (d)





PREMIUM DESIGN MEETS PREMIUM TECHNOLOGY

14 CM Built-In Warming Drawer



BDWDBK

KEY FEATURES

- | | | |
|------------------------|------------------------|----------------------|
| 9 Temperature Settings | Food Warming & Defrost | Digital Timer |
| Digital Touch Control | Slow Cooking | Pure Black Glass |
| 22 Litre Capacity | Soft-Closing Drawer | Stainless Steel Trim |

PRODUCT DIMENSIONS

595 (w) x 141 (h) x 541 (d)





UPRIGHT

UPRIGHT COOKER

Premium Matte Black Finish

Ultra Sleek and stylish Matte black finish making a beautiful kitchen statement piece that is sure to turn heads.

5 Burners with Twin Woks

Italian made burners which include two high-power Double Crown burners to provide precise control and even heat distribution; perfect for all varieties of food.

Cast Iron Trivets

Heavy-duty cast iron trivets provide a stable cooking surface so pans can easily move across the burners.

Telescopic Rail

The $\frac{3}{4}$ extension telescopic rail allows you to effortlessly slide oven accessories in and out of the cavity. Perfect for handling heavy baking trays when preparing a Sunday roast.

Large Oven Capacity

Maximum capacity, endless results. With a huge 121-litre total oven capacity, you have the freedom to cook whatever your heart desires.

Digital Programmer

The programmable timer allows you to set a simple minute reminder as well as program your start time and cooking duration for ultimate flexibility.

*Select models only

90 CM
Dual Fuel Upright Cooker

BDU958DBK



KEY FEATURES

- 5 Burners with Twin Woks
- 8 Cooking functions
- Premium Matte Black Surface
- Cast Iron Trivets
- Telescopic Rail
- Large 121 litre Oven Capacity
- Digital Programmer

PRODUCT DIMENSIONS

898 (w) x 880-960* (h) x 595 (d)

OVEN



COOKTOP



PREMIUM DESIGN MEETS PREMIUM TECHNOLOGY



COOKTOPS

GAS / GAS-THRU-GLASS / CERAMIC / INDUCTION

Cast Iron Trivets

Heavy-duty cast iron trivets provide a stable cooking surface so pans can easily move across the worktop. Includes a cast iron wok support and mini pot stand.

Flame Safety

All of the gas burners are fitted with a flame failure safety device. If the flame goes out accidentally, the gas turns off automatically.

Touch + Slide Control

The Belling Touch + Slide controls are designed to be effortless to use. Simply activate the desired zone and slide your finger across the touch bar to select the perfect power or timer setting.

Premium Matte-Grey Ceramic Surface

Made from premium Eurokera ceramic glass with a stylish Matte-Grey effect and finished with bevelled edges, this cooktop adds a high-end, minimalist style to your kitchen.

Belling Flex-Zone

The Belling Flex Zone feature enables the two left-hand zones to be bridged together to accommodate even the largest of cookware.

Pause Cooking Function

This useful function allows you to pause your cooking at any stage if life's interruptions take you away from the kitchen. Simply press the pause button again when you're ready to resume.

Chef Mode

The Belling Chef Mode allows you to choose between different pre-set heated zones just by moving your cookware across the surface. Go from a low simmer to a rapid boil by simply placing your pan on different zones to cook like a true chef.

*Select models only

BDC604S



60 CM

Stainless Steel Gas Cooktop

KEY FEATURES

- 4 Burners with Wok
- Flame Safety
- Mini Pot Stand
- Cast Iron Trivets
- Easy to Use Controls
- Premium Stainless Steel Surface
- Cast Iron Wok Support

PRODUCT DIMENSIONS

590 (w) x 60 (h) x 510 (d)



CAST IRON TRIVETS

FLAME SAFETY

AUTO IGNITION

POWER WOK

GAS

BDC905LS



90 CM

Stainless Steel Gas Cooktop

KEY FEATURES

- 5 Burners with Left Side Wok
- Flame Safety
- Mini Pot Stand
- Cast Iron Trivets
- Easy to Use Controls
- Premium Stainless Steel Surface
- Cast Iron Wok Support

PRODUCT DIMENSIONS

890 (w) x 60 (h) x 510 (d)



CAST IRON TRIVETS

FLAME SAFETY

AUTO IGNITION

POWER WOK

GAS



60 CM
Black Gas-Thru-Glass Cooktop

KEY FEATURES

- 4 Burners with Wok
- Flame Safety
- Mini Pot Stand
- Cast Iron Trivets
- Easy to Use Controls
- Premium Tempered Glass Surface
- Cast Iron Wok Support

PRODUCT DIMENSIONS

580 (w) x 60 (h) x 510 (d)



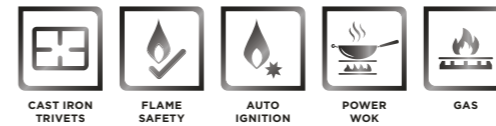
90 CM
Black Gas-Thru-Glass Cooktop

KEY FEATURES

- 5 Burners with Left Side Wok
- Flame Safety
- Mini Pot Stand
- Cast Iron Trivets
- Easy to Use Controls
- Premium Tempered Glass Surface
- Cast Iron Wok Support

PRODUCT DIMENSIONS

890 (w) x 60 (h) x 510 (d)



60 CM
Ceramic Cooktop

BDC64CE



KEY FEATURES

- 4 Cooking Zones
- Touch + Slide Control
- Premium Ceramic Surface
- Extendable Zones
- Pause Cooking Function

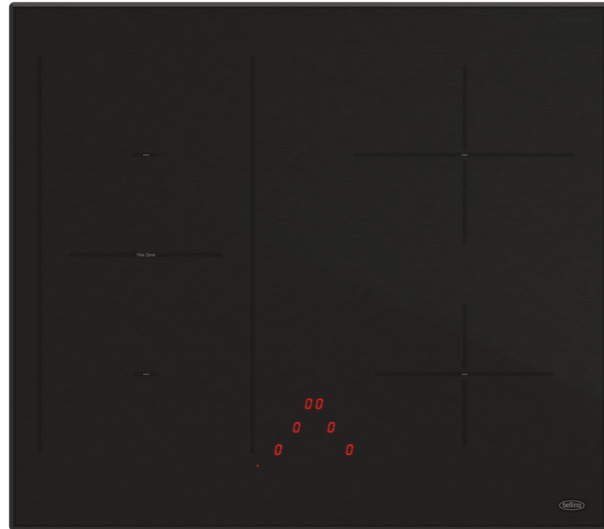
PRODUCT DIMENSIONS

590 (w) x 45 (h) x 520 (d)



PREMIUM DESIGN MEETS PREMIUM TECHNOLOGY

BDC64INF



60CM Induction Cooktop

KEY FEATURES

- 4 Cooking Zones
- Premium Matte-Grey Ceramic Surface
- Belling Flex-Zone
- Pause Cooking Function
- Touch + Slide Control

PRODUCT DIMENSIONS

590 (w) x 57 (h) x 520 (d)



BDC95IN2F



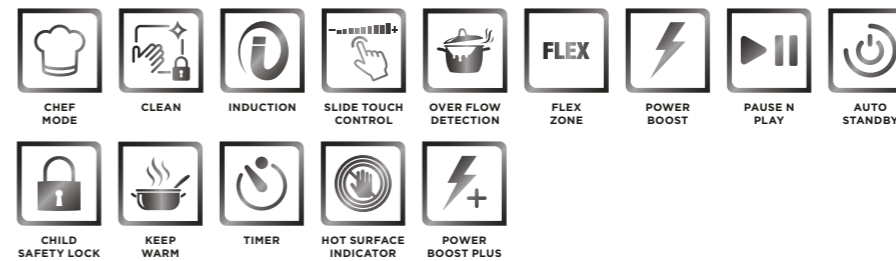
90CM Induction Cooktop

KEY FEATURES

- 5 Cooking Zones
- Premium Matte-Grey Ceramic Surface
- 2 Belling Flex-Zones
- Chef Mode
- Touch + Slide Control
- Pause Cooking Function

PRODUCT DIMENSIONS

880 (w) x 55 (h) x 520 (d)





DISHWASHERS

FREESTANDING / FULLY INTEGRATED

Place Settings

Never run short of space with 14 or 16 place settings. Plenty of flexible loading options with sliding cutlery basket as well as adjustable upper shelf to create more room on the lower basket.

Wash Programs

Ranging from a Mini 30 minute program for when you need clean dishes in a hurry, through to an Intensive 70° wash for those pans with baked on food, all bases are covered with the choice of 5 or 8 wash programs.

Powerful Spray Arm

The heavy-duty spray arms are more powerful than ever. Reaching the toughest of stains leaving your dishes sparkling clean.

Half Load & 4 Auxiliary Functions

Engage the half load function to save on energy and water when the dishwasher is only partially full. Customise your wash program with an auxiliary function including half load to save on energy and water and extra drying for ensuring plastics are free from any drips.

HydoSense

Utilised in the Auto Wash program, the HydoSense feature analyses how dirty the water is after the initial rinse and adjusts the temperature and run time accordingly, ensuring perfect results every time.

Active Drying System

Improved effectiveness over a natural drying system, the built in fan removes the hot and humid air after the wash cycle is completed, allowing your dishes to dry quickly and thoroughly.

Brushless Motor

Built to be more efficient and durable, the brushless motor not only costs less to run but is quieter as well.

*Select models only

BD14FSDX



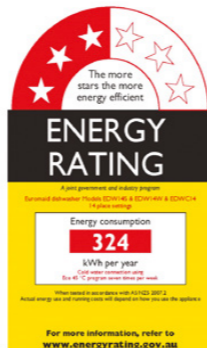
60CM Freestanding Dishwasher

KEY FEATURES

- 14 Place Settings
- 5 Wash Programs
- Half Load Function
- Aqua Stop
- Powerful Spray Arm
- Mini side cutlery tray & basket

PRODUCT DIMENSIONS

598 (w) x 850 - 865 (h) x 598 (d)



BD16FSDX



60CM Freestanding Dishwasher

KEY FEATURES

- 16 Place Settings
- 8 Wash Programs
- 4 Auxiliary Functions
- HydroSense
- Active Drying System
- Brushless Motor
- Full size cutlery tray & basket

PRODUCT DIMENSIONS

598 (w) x 850 - 865 (h) x 598 (d)



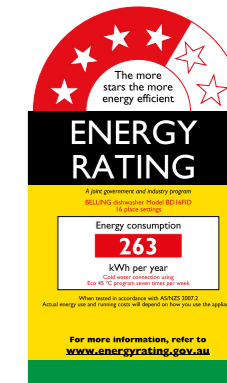
PREMIUM DESIGN MEETS PREMIUM TECHNOLOGY



PREMIUM DESIGN MEETS PREMIUM TECHNOLOGY

60CM
Fully Integrated Dishwasher

BD16FID



KEY FEATURES

- 16 Place Settings
- 8 Wash Programs
- 4 Auxiliary Functions
- HydroSense
- Active Drying System
- Brushless Motor
- Floor LED Indicator
- Full size cutlery tray & basket

PRODUCT DIMENSIONS

598 (w) x 818 - 918 (h) x 550 (d)



ADD A
RANGEHOOD
TO YOUR BELLING DESIGN COLLECTION



STOP + 12:30
① C- - ▽

UNDERMOUNT RANGEHOODS



52CM UNDERMOUNT RANGEHOOD
BY TECHNIKA PROFESSIONAL | TGU52BK

PRODUCT DIMENSIONS

520 (w) x 254 (h) x 296 (d)

KEY FEATURES

3 fan speeds / 1000m³/h maximum airflow / Ducted operation + perimeter aspiration /
Black glass finish / Sensor touch controls / 1 aluminium mesh filter /
2 2W LED strip lights / Timer / **5 year warranty**



90CM UNDERMOUNT RANGEHOOD
BY TECHNIKA PROFESSIONAL | TGU90BK

PRODUCT DIMENSIONS

900 (w) x 310 (h) x 296 (d)

KEY FEATURES

3 fan speeds / 1000m³/h maximum airflow / Ducted operation + perimeter aspiration /
Black glass finish / Sensor touch controls / 1 aluminium mesh filter /
2 2W LED strip lights / Timer / **5 year warranty**

CANOPY RANGEHOODS



60CM CANOPY RANGEHOOD
BY TECHNIKA PROFESSIONAL | TCR60BK

PRODUCT DIMENSIONS

600 (w) x 477 - 840 (h) x 485 (d)

KEY FEATURES

4 fan speeds + Turbo / 1000m³/h maximum airflow / Ducted operation
Stainless steel finish + black glass fascia / Sensor touch controls / LED display /
2 stainless steel baffle filters / 2 2W LED lights / Timer / **5 year warranty**



90CM CANOPY RANGEHOOD
BY TECHNIKA PROFESSIONAL | TCR90BK

PRODUCT DIMENSIONS

900 (w) x 477 - 840 (h) x 485 (d)

KEY FEATURES

4 fan speeds + Turbo / 1000m³/h maximum airflow / Ducted operation
Stainless steel finish + black glass fascia / Sensor touch controls / LED display
3 stainless steel baffle filters / 2 2W LED lights / Timer / **5 year warranty**



SPECIFICATIONS

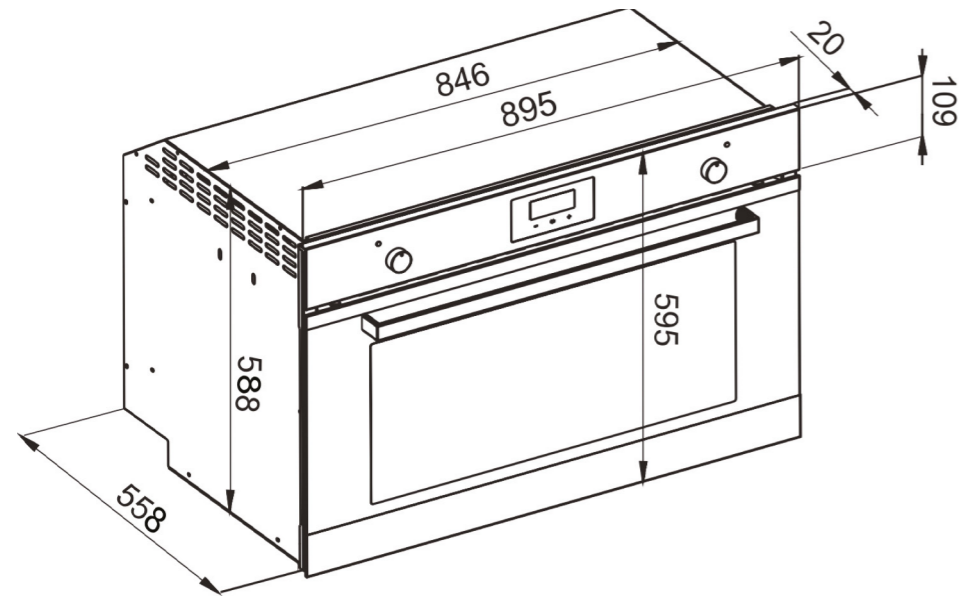
- 46 BUILT-IN OVENS
- 55 UPRIGHT COOKER
- 56 COOKTOPS
- 63 DISHWASHERS
- 66 RANGEHOODS



stop ⏸ +
⏪ ⏩ -

12:30

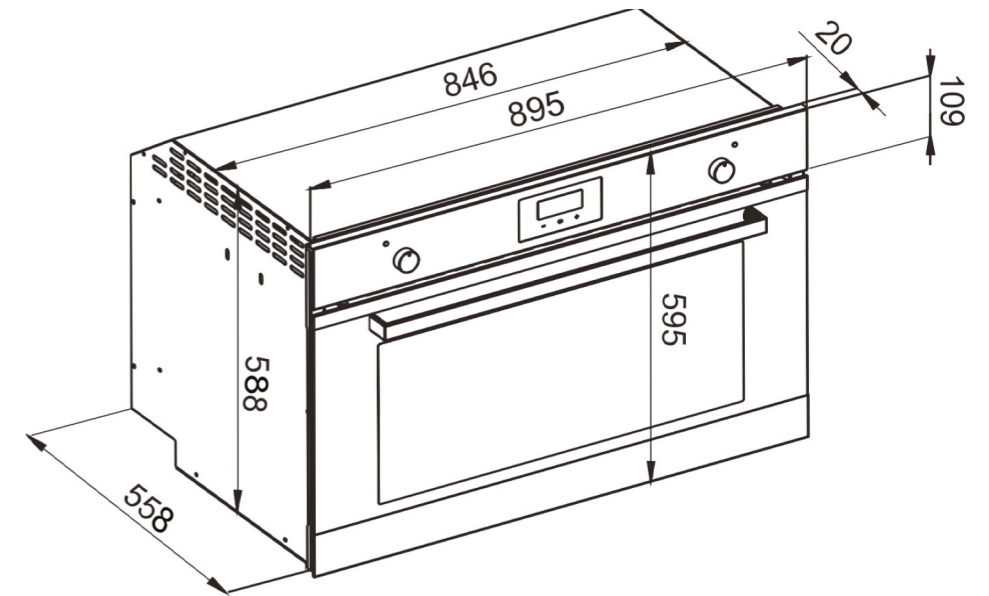
△ ⏪ ⏩ ○
▽ ⏪ ⏩ *



MODEL BDO9608BK

OVEN FUNCTIONS		ACCESSORIES	
Fan Forced	Yes	Chrome side-racks	Yes
Conventional	Yes	No. of chrome shelves (grids)	2
Fan Bake	Yes	Extra-Large oven tray + insert	1
Base Heat	Yes	Standard oven tray	1
Grill	Yes	INSTALLATION	
Fan Grill	Yes	Installation type	Flush Fit; under-bench or wall unit
Defrost	Yes	Electrical connection	15A hardwire
Light	Yes	Rated voltage / frequency	220 – 240V, 50 / 60Hz
OVEN FEATURES		Total rated power	3150W
Energy rating (EU standard)	'A' class	DIMENSIONS (PACKED)	
Actual capacity (litres)	135	Width x Height x Depth (mm)	937 (w) x 645 (h) x 702 (d)
Usable capacity (litres)	120	Gross weight (kg)	65.2
Interior finish	Ultra-Clean Grey Enamel	DIMENSIONS (PRODUCT)	
Door glass	Triple glazed	Width x Height x Depth (mm)	895 (w) x 595 (h) x 558 (d)
Removable inner glass	Yes	Net weight (kg)	61.2
Door hinge	Soft Closing	DIMENSIONS (CUT-OUT)	
No. of shelf positions	5	Width x Height x Depth (mm)	900 (w) x 600 (h) x 560min (d)
Cooking fans	2		
Cavity cooling system	Yes		
Lights	Twin lighting system		
CONTROL PANEL			
Clock / Timer	Digital program timer		
LED colour	White		
Control	Black rotary knob		
TIMER			
Minute minder	Yes		
Automatic program timer	Yes		
Child Lock	Yes		

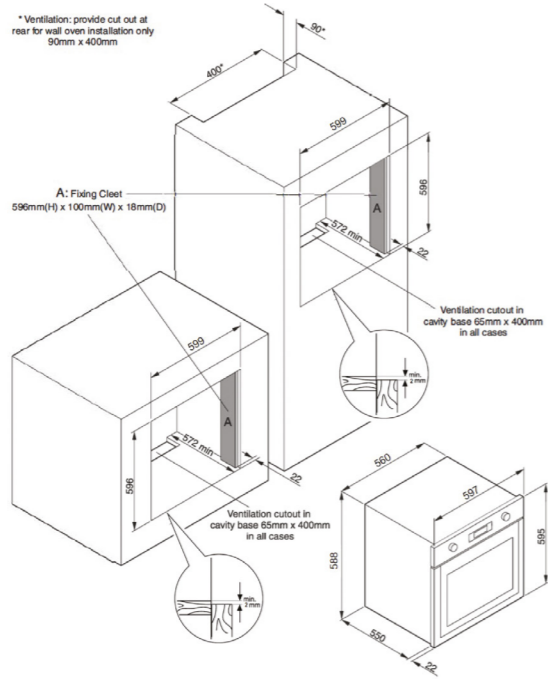
Product and cut-out dimensions are to be used as a guide only. Please refer to actual product before installing, or refer to the instruction manual or website for full instructions.



MODEL BDO9611BK

OVEN FUNCTIONS		ACCESSORIES	
Fan Forced	Yes	Telescopic rails	1 x full extension - EasyFix
Conventional Oven	Yes	Chrome side-racks	Yes
Turbo	Yes	No. of chrome shelves (grids)	2
Half Grill	Yes	Extra-Large oven tray + insert	1
Full Grill	Yes	Standard oven tray	1
Fan Grill	Yes	INSTALLATION	
Fan Bake	Yes	Installation type	Flush Fit; under-bench or wall unit
Base Heat	Yes	Electrical connection	15A hardwire
Top Heat	Yes	Rated voltage / frequency	220 – 240V, 50 / 60Hz
Defrost	Yes	Total rated power	3150W
Keep Warm	Yes	DIMENSIONS (PACKED)	
CONTROL PANEL		Width x Height x Depth (mm)	937 (w) x 645 (h) x 702 (d)
Clock / Timer	LED Display	Gross weight (kg)	65.2
LED colour	White	DIMENSIONS (PRODUCT)	
Controls	Full-touch interface	Width x Height x Depth (mm)	895 (w) x 595 (h) x 558 (d)
TIMER		Net weight (kg)	61.2
Minute minder	Yes	DIMENSIONS (CUT-OUT)	
Automatic program timer	Yes	Width x Height x Depth (mm)	900 (w) x 600 (h) x 560min (d)
Time of Day	Yes		
Child Lock	Yes		
OVEN FEATURES			
Energy rating (EU standard)	'A' class		
Actual capacity (litres)	135		
Usable capacity (litres)	120		
Interior finish	Ultra-Clean Grey Enamel		
Door glass	Triple glazed		
Removable inner glass	Yes		
Door hinge	Soft Closing		
No. of shelf positions	5		
Cooking fans	2		
Cavity cooling system	Yes		
Lights	Twin lighting system		

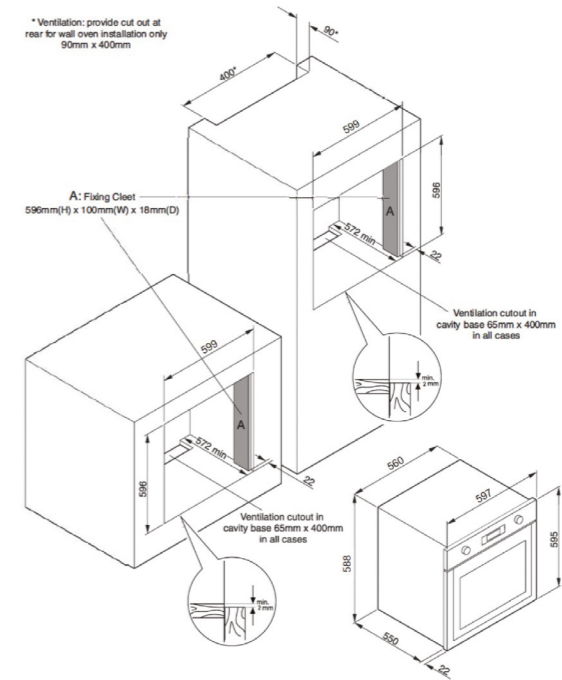
Product and cut-out dimensions are to be used as a guide only. Please refer to actual product before installing, or refer to the instruction manual or website for full instructions.



MODEL **BDO606BK**

OVEN FUNCTIONS		ACCESSORIES	
Fan Forced	Yes	Telescopic rails	-
Conventional Oven	Yes	No. of chrome shelves (grids)	2
Fan Bake	Yes	80mm deep-dish oven tray + insert	-
Grill	Yes	Standard oven tray + grill insert	1
Fan Grill	Yes		
Defrost	Yes		
CONTROL PANEL		INSTALLATION	
Clock / Timer	Digital minute minder	Installation type	Flush Fit; under-bench or wall unit
LED colour	White	Electrical connection	10A Plug & Lead
Control	Black rotary knob	Rated voltage / frequency	230V / 50Hz
		Total rated power	2300W
TIMER		DIMENSIONS (PACKED)	
Minute minder	Yes	Width x Height x Depth (mm)	680 (w) x 640 (h) x 630 (d)
Automatic program timer	No	Gross weight (kg)	34.05kg
Child Lock	No		
OVEN FEATURES		DIMENSIONS (PRODUCT)	
Energy rating (European)	'A' class	Width x Height x Depth (mm)	597 (w) x 595 (h) x 572 (d)
Actual capacity (litres)	90	Gross weight (kg)	31.85kg
Usable capacity (litres)	78		
Door glass	Triple glazed	DIMENSIONS (CUT-OUT)	
Door hinge	Standard	Width x Height x Depth (mm)	600 (w) x 596 (h) x 572min (d)
No. of shelf positions	5		
Cavity cooling system	Yes		
Lights	1, rear position		

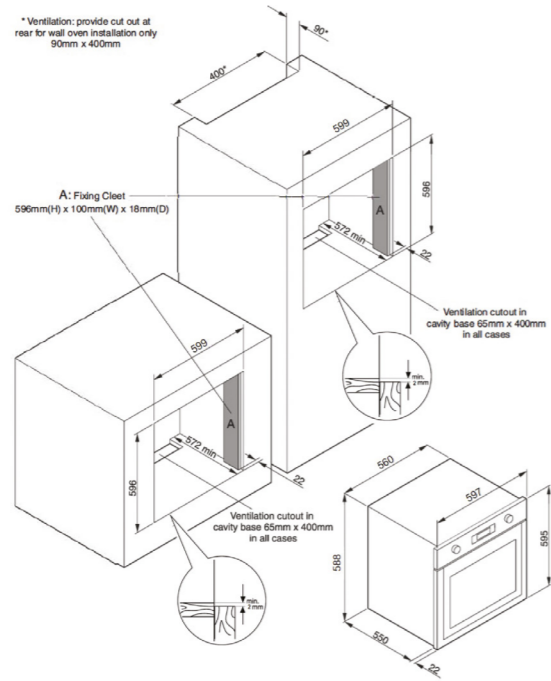
Product and cut-out dimensions are to be used as a guide only. Please refer to actual product before installing, or refer to the instruction manual or website for full instructions.



MODEL **BDO609BK**

OVEN FUNCTIONS		ACCESSORIES	
Fan Forced	Yes	Telescopic rails	1 x full extension - EasyFix
Conventional Oven	Yes	No. of chrome shelves (grids)	2
Half Grill	Yes	80mm deep-dish oven tray + insert	1
Full Grill	Yes	Standard oven tray	1
Fan Grill	Yes		
Fan Bake	Yes		
Pizza	Yes		
Defrost	Yes		
Light	Yes		
CONTROL PANEL		INSTALLATION	
Clock / Timer	Digital programmable timer	Installation type	Flush Fit; under-bench or wall unit
LED colour	White	Electrical connection	15A hardware
Control knob	Black rotary knob	Rated voltage / frequency	230-240V / 50Hz
		Total rated power	3100-3400W
TIMER		DIMENSIONS (PACKED)	
Minute minder	Yes	Width x Height x Depth (mm)	680 (w) x 640 (h) x 630 (d)
Automatic program timer	Yes	Gross weight (kg)	34.05kg
Child lock	Yes		
OVEN FEATURES		DIMENSIONS (PRODUCT)	
Energy rating (European)	'A' class	Width x Height x Depth (mm)	597 (w) x 595 (h) x 572 (d)
Actual capacity (litres)	90	Gross weight (kg)	31.85kg
Usable capacity (litres)	78		
Door glass	Triple glazed	DIMENSIONS (CUT-OUT)	
Door hinge	Soft Closing	Width x Height x Depth (mm)	600 (w) x 596 (h) x 572min (d)
No. of shelf positions	5		
Cavity cooling system	Yes		
Cooking fans	2		
Cavity cooling system	Yes		

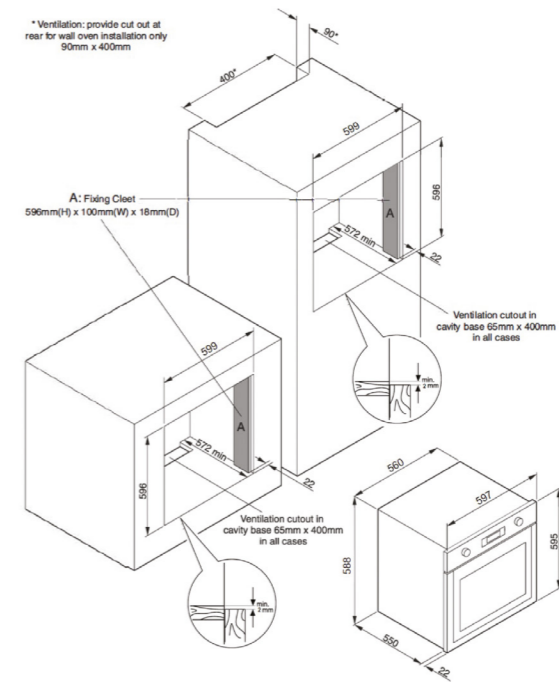
Product and cut-out dimensions are to be used as a guide only. Please refer to actual product before installing, or refer to the instruction manual or website for full instructions.



MODEL **BDO609PYBK**

OVEN FUNCTIONS		ACCESSORIES	
Fan Forced	Yes	Telescopic rails	2 x full extension - EasyFix
Conventional Oven	Yes	No. of chrome shelves (grids)	2
Half Grill	Yes	80mm deep-dish oven tray + insert	1
Full Grill	Yes	Standard oven tray	1
Fan Grill	Yes		
Fan Bake	Yes		
Pizza	Yes		
Defrost	Yes		
Pyrolytic Self Clean	Yes		
CONTROL PANEL		INSTALLATION	
Clock / Timer	'Visio' Touch Display	Installation type	Flush Fit; under-bench or wall unit
LED colour	White	Electrical connection	15A hardwire
Control knob	Black rotary knob	Rated voltage / frequency	230 – 240V / 50Hz
		Total rated power	2600-2800W
TIMER		DIMENSIONS (PACKED)	
Minute minder	Yes	Width x Height x Depth (mm)	680 (w) x 640 (h) x 630 (d)
Automatic program timer	No	Gross weight (kg)	34.05kg
Child Lock	No	DIMENSIONS (PRODUCT)	
		Width x Height x Depth (mm)	597 (w) x 595 (h) x 572 (d)
		Gross weight (kg)	31.85kg
OVEN FEATURES		DIMENSIONS (CUT-OUT)	
Energy rating (EU standard)	'A' class	Width x Height x Depth (mm)	600 (w) x 596 (h) x 572min (d)
Actual capacity (litres)	90		
Usable capacity (litres)	75		
Door glass	Quadruple glazed		
Removable inner glass	Yes		
Door hinge	Soft Closing		
No. of shelf positions	9		
Cavity cooling system	Yes		
Lights	1, rear position		

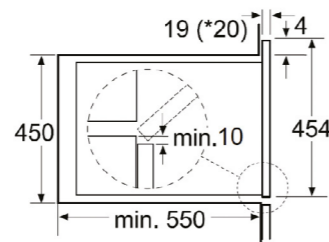
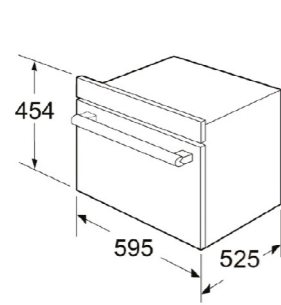
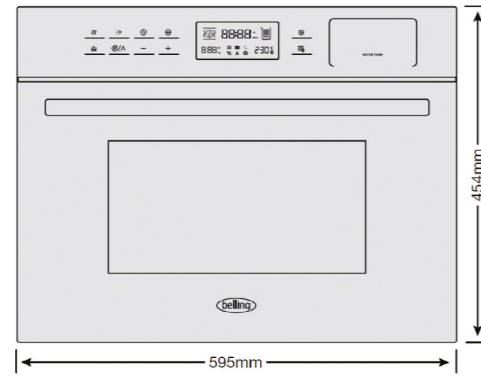
Product and cut-out dimensions are to be used as a guide only. Please refer to actual product before installing, or refer to the instruction manual or website for full instructions.



MODEL **BDO610RCBK**

OVEN FUNCTIONS		ACCESSORIES	
Fan Forced	Yes	Telescopic rails	2 x full extension - EasyFix
Conventional Oven	Yes	No. of chrome shelves (grids)	2
Half Grill	Yes	80mm deep-dish oven tray + insert	1
Full Grill	Yes	Standard oven tray	1
Fan Grill	Yes		
Fan Bake	Yes		
Pizza	Yes		
Defrost	Yes		
VapourClean™	Yes		
Rotisserie	Yes		
CONTROL PANEL		INSTALLATION	
Clock / Timer	ReadyCook Interface	Installation type	Flush Fit; under-bench or wall unit
Display	Full-Colour TFT Display	Electrical connection	15A hardwire
Control knob	Black rotary knobs	Rated voltage / frequency	230-240V / 50Hz
		Total rated power	2800-3100W
READYCOOK		DIMENSIONS (PACKED)	
Cooking during & end timer	Yes	Width x Height x Depth (mm)	680 (w) x 640 (h) x 630 (d)
Favourite recipe memory	Yes	Gross weight (kg)	34.05kg
Child lock	Yes	DIMENSIONS (PRODUCT)	
Multi-language support	Yes	Width x Height x Depth (mm)	597 (w) x 595 (h) x 572 (d)
ReadyCook auto-cooking	Yes, 150 recipes	Gross weight (kg)	31.85kg
OVEN FEATURES		DIMENSIONS (CUT-OUT)	
Energy rating (EU standard)	A	Width x Height x Depth (mm)	600 (w) x 596 (h) x 572min (d)
Actual capacity (litres)	90		
Usable capacity (litres)	75		
Door glass	Triple glazed		
Boost Function	Yes		
Removable inner glass	Yes		
Door hinge	Soft Closing		
No. of shelf positions	5		
Cavity cooling system	Yes		
Lights	1, rear position		

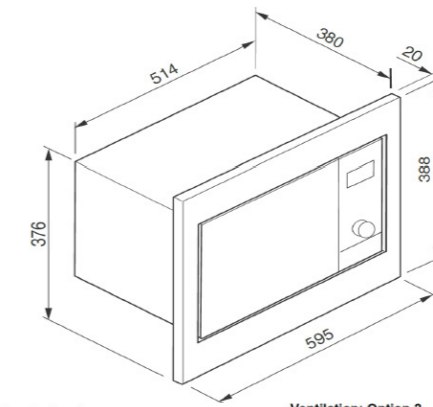
Product and cut-out dimensions are to be used as a guide only. Please refer to actual product before installing, or refer to the instruction manual or website for full instructions.



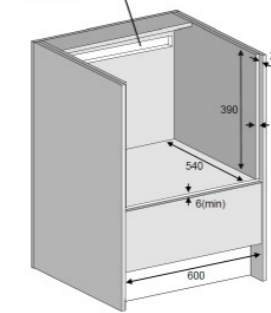
* 20 mm for metal fascias

MODEL		BD45CSBK	
OVEN FUNCTIONS			
Microwave	Yes		
Fan Forced	Yes		
Grill	Yes		
Fan Grill	Yes		
Microwave + Fan Forced	Yes		
Microwave + Fan Grill	Yes		
Steam	Yes		
Steam + Microwave	Yes		
Steam + Fan Forced	Yes		
Defrost	Yes		
Automatic Programs	80		
Cleaning (Descale)	Yes		
CONTROL PANEL			
Clock / Timer	Digital programmable timer		
LED colour	White		
Control type	Touch control		
DISPLAY			
Digital clock	Yes		
Automatic program timer	Yes		
Child lock	Yes		
CAVITY FEATURES			
Actual capacity (litres)	34L		
Water tank (litres)	1.0L, auto-open		
Interior finish	Stainless steel		
Shelf runners	Moulded sides		
No. shelf positions	2		
Oven light	Yes		
ACCESSORIES			
No. of chrome shelves (grids)	1		
Glass tray	1		
INSTALLATION			
Installation type	Under-bench or wall unit		
Electrical connection	15A hardwire		
Rated voltage / frequency	230-240V / 50Hz		
Input Power (microwave)	1550W		
Output Power (microwave)	900W		
Input Power (grill)	1300W		
Input Power (convection)	1900W		
Input Power (steam)	1500W		
Total Rated Power	3000W		
DIMENSIONS (PACKED)			
Width x Height x Depth (mm)	700 (w) x 550 (h) x 670 (d)		
Gross weight (kg)	45kg		
DIMENSIONS (PRODUCT)			
Width x Height x Depth (mm)	595 (w) x 454 (h) x 525 (d)		
Gross weight (kg)	33kg		
DIMENSIONS (CUT-OUT)			
Width x Height x Depth (mm)	600 (w) x 460 (h) x 550min (d)		

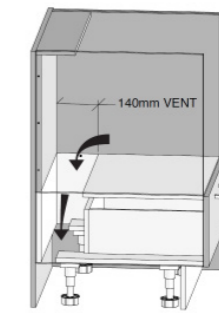
Product and cut-out dimensions are to be used as a guide only. Please refer to actual product before installing, or refer to the instruction manual or website for full instructions.



Ventilation: Option 1
Cutout 45mm x 500mm top rear of cabinet

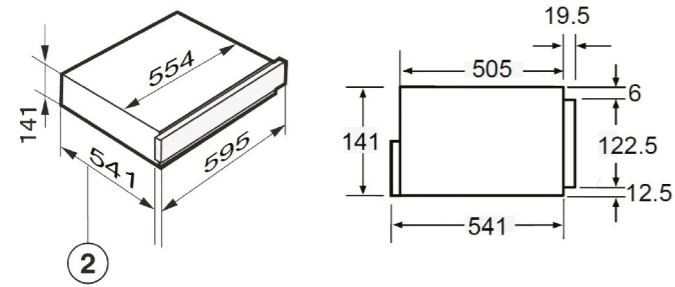


Ventilation: Option 2
140mm x cabinet width vented down into kick panel space

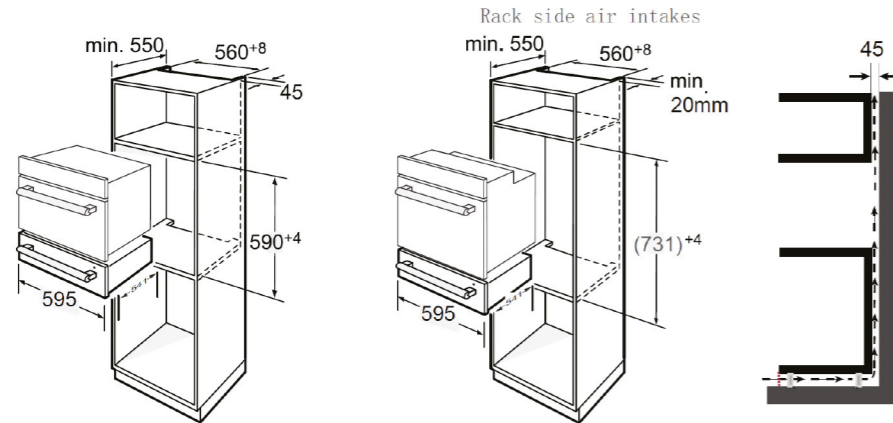


MODEL		BD28MBK	
OVEN FUNCTIONS			
Microwave	Yes		
30' Quick Start	Yes		
Defrost by Weight	Yes		
Defrost by Time	Yes		
Multi-Stage Cooking	Yes		
Speed Cooking	Yes		
Automatic Cooking Functions	Yes		
CONTROL PANEL			
Clock / Timer	Digital programmable timer		
LED colour	White		
Control type	Rotary knob + Buttons		
DISPLAY			
Time of day	Yes		
Kitchen timer	Yes		
Remaining Time	Yes		
Child Lock	Yes		
CAVITY FEATURES			
Actual capacity (litres)	28L		
Interior finish	Stainless Steel		
Glass turntable	Yes		
Turntable diameter (mm)	315		
Interior lighting	Yes		
Door Handle	Push handle		
Door Opening	Side Opening		
ACCESSORIES			
No. of chrome shelves (grids)	1		
Glass tray	1		
INSTALLATION			
Installation type	Under-bench or wall unit		
Flush fit	Yes		
Electrical connection	10A plug & lead		
Rated voltage	220 - 240V, 50 / 60Hz		
Rated output power	1200W		
Rated input power	1900W		
DIMENSIONS (PACKED)			
Width x Height x Depth (mm)	635(w) x 466 (h) x 500(d)		
Gross weight (kg)	20.59kg		
DIMENSIONS (PRODUCT)			
Width x Height x Depth (mm)	595 (w) x 388 (h) x 400(d)		
Gross weight (kg)	17.95kg		
DIMENSIONS (CUT-OUT)			
Width x Height x Depth (mm)	600 (w) x 390 (h) x 540min (d)		

Product and cut-out dimensions are to be used as a guide only. Please refer to actual product before installing, or refer to the instruction manual or website for full instructions.



- ① Ventilation cut-out required when combined with a pyrolytic oven
- ② Building-in dimension including mains supply cable connection Connection cable L = 1000 mm



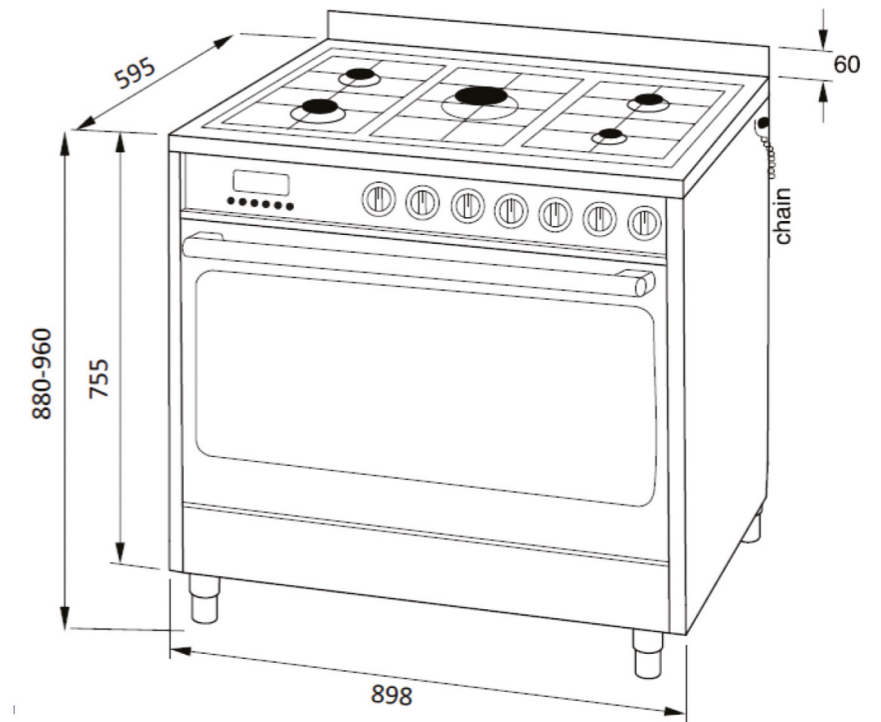
Compact appliances H:454mm

Big Oven H:595mm

MODEL **BDWDBK**

FUNCTIONS		INSTALLATION / CONNECTION	
Food Warming	Yes	Installation type	Under-bench or wall unit
Low Temperature Cooking	Yes	Electrical connection	10A Plug & Lead
Defrosting	Yes	Rated voltage / frequency	220 – 240V, 50 / 60Hz
Cups & Glasses Warming	Yes	Heating Output	600W
Plates & Dishes Warming	Yes	Total Rated Power	1000W
Cookware & Utensil Warming	Yes	DIMENSIONS (PACKED)	
Dough Proving	Yes	Width x Height x Depth (mm)	705 (w) x 210 (h) x 640 (d)
Sterilising	Yes	Gross weight (kg)	20.5
CONTROL PANEL		DIMENSIONS (PRODUCT)	
Clock / Timer	Digital Timer	Width x Height x Depth (mm)	595 (w) x 141 (h) x 541 (d)
Display	Touch control	Gross weight (kg)	18
Temperature Control	Yes	DIMENSIONS (CUT-OUT)	
Start / Pause	Yes	Width x Height x Depth (mm)	598 (w) x 141 (h) x 550min (d)
PRODUCT FEATURES			
Actual capacity (litres)	22L		
Cavity finish	Stainless steel		
Cavity Dimensions (mm)	97.2 (h) x 540 (w) x 420 (d)		
Temperature Settings	9		
Temperature Range	40°C - 80°C		
Max. Place Settings	6		
Max. Dinner Plates (26cm)	12		
Max. Espresso Cups	80		
Max. Weight Capacity	25kg		
Push-Open	Yes		
Soft-Closing Mechanism	Yes		

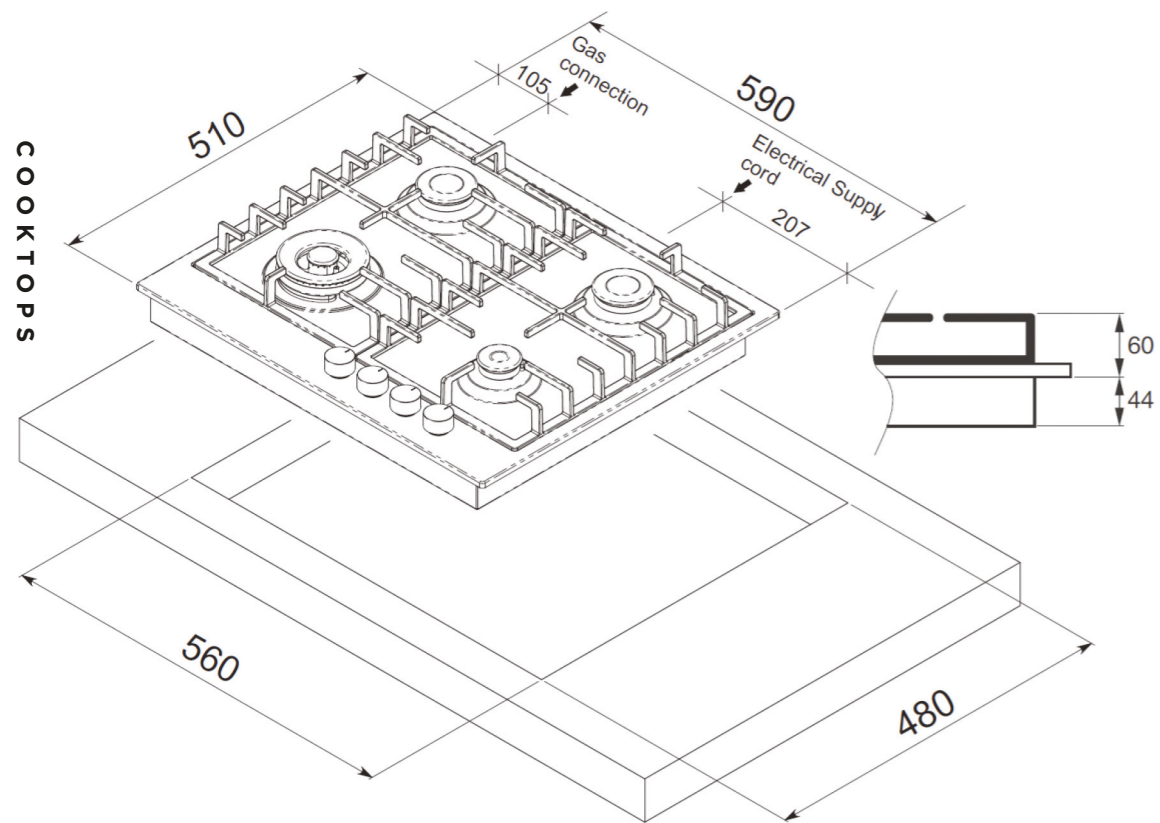
Product and cut-out dimensions are to be used as a guide only. Please refer to actual product before installing, or refer to the instruction manual or website for full instructions.



MODEL **BDU958DBK**

OVEN FUNCTIONS		COOKING ZONES		NG	LPG	
Fan Forced Conventional Oven	Yes	Front Left – Wok burner	14.0 MJ	12.4 MJ		
Grill	Yes	Rear Left – Rapid	10.8 MJ	8.9 MJ		
Fan Grill	Yes	Centre – Wok burner	14.0 MJ	12.4 MJ		
Fan Bake	Yes	Front Right – Rapid	10.8 MJ	8.9 KW		
Base Heat	Yes	Rear Right – Auxilliary	4.0 MJ	3.1 MJ		
Defrost	Yes	Total Output	53.6 MJ	45.7 MJ		
Light	Yes	ACCESSORIES				
CONTROL PANEL		Telescopic rails				1 x ¼ extraction
Clock / Timer	Digital programmable timer	No. of chrome shelves (grids)				2
LED colour	Red	Deep-dish oven tray + insert				1
Control knobs	Black soft-touch knobs	Standard oven tray				1
TIMER		INSTALLATION				
Minute minder	Yes	Installation type				Freestanding
Automatic program timer	Yes	Electrical connection				15A hardwire
Child lock	Yes	Rated voltage / frequency				240V, 50Hz
OVEN FEATURES		Total rated power				2872W
Energy rating (European)	'A' class	DIMENSIONS (PACKED)				
Actual capacity (litres)	121	Width x Height x Depth (mm)				TBC
Usable capacity (litres)	115	Gross weight (kg)				TBC
Door glass	Triple glazed	DIMENSIONS (PRODUCT)				
Door hinge	Anti-slam	Width x Height x Depth (mm)				898 (w) x 880-960* (h) x 595 (d)
No. of shelf positions	5	Net weight (kg)				90kg
Cavity cooling system	Yes	DIMENSIONS (CUT-OUT)				
Lights	1, rear position	Width x Height x Depth (mm)				900 (w) x 880-960* (h) x 600 (d)

Product and cut-out dimensions are to be used as a guide only. Please refer to actual product before installing, or refer to the instruction manual or website for full instructions.



MODEL **BDC604S**

FEATURES	
Number of burners	4 burners with PowerWok
Trivet Type	Durable Cast-Iron
Finish	304 Stainless Steel
Flame Failure Safety Device	Yes
Ignition	Electronic under knob ignition
Accessories	Cast Iron Wok Support Cast-Iron Pot Stand
Country of Origin	Italy

DIMENSIONS (PACKED)	
Width x Height x Depth	655 (w) x 140 (h) x 580 (d)
Gross weight (kg)	11.6

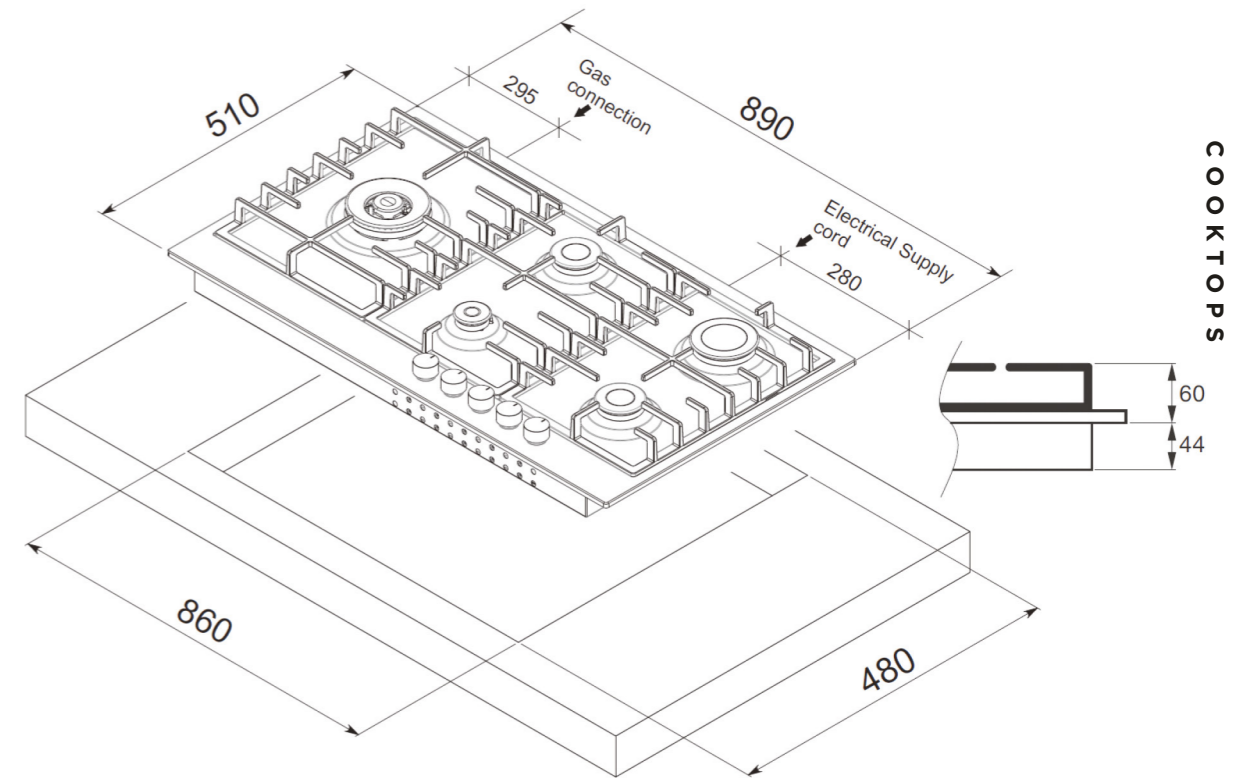
DIMENSIONS (PRODUCT)	
Width x Height x Depth	590 (w) x 60 (h) x 510 (d)
Net weight (kg)	10.2

DIMENSIONS (CUT-OUT)	
Width x Depth	560 (w) x 44 (h) x 480 (d)

COOKING ZONES	NG	LPG
Front Left – Wok burner	14.9 MJ	12.8 MJ
Front Right – Auxiliary	3.4 MJ	3.4 MJ
Rear Right – Semi Rapid	6.3 MJ	5.6 MJ
Rear Left – Semi Rapid	6.3 MJ	5.6 MJ
Total Consumption	30.9 MJ	27.4 MJ

INSTALLATION	
Rated voltage, frequency	220 – 240V, 50 – 60Hz
Electrical connection	10A Plug and Lead
Installation Type	Top mounted

Product and cut-out dimensions are to be used as a guide only. Please refer to actual product before installing, or refer to the instruction manual or website for full instructions.



MODEL **BDC905LS**

FEATURES	
Number of burners	5 burners with PowerWok
Trivet Type	Durable Cast-Iron
Finish	304 Stainless Steel
Flame Failure Safety Device	Yes
Ignition	Electronic under knob ignition
Accessories	Cast Iron Wok Support Cast-Iron Pot Stand
Country of Origin	Italy

DIMENSIONS (PACKED)	
Width x Height x Depth	945 (w) x 140 (h) x 580 (d)
Gross weight (kg)	16.0

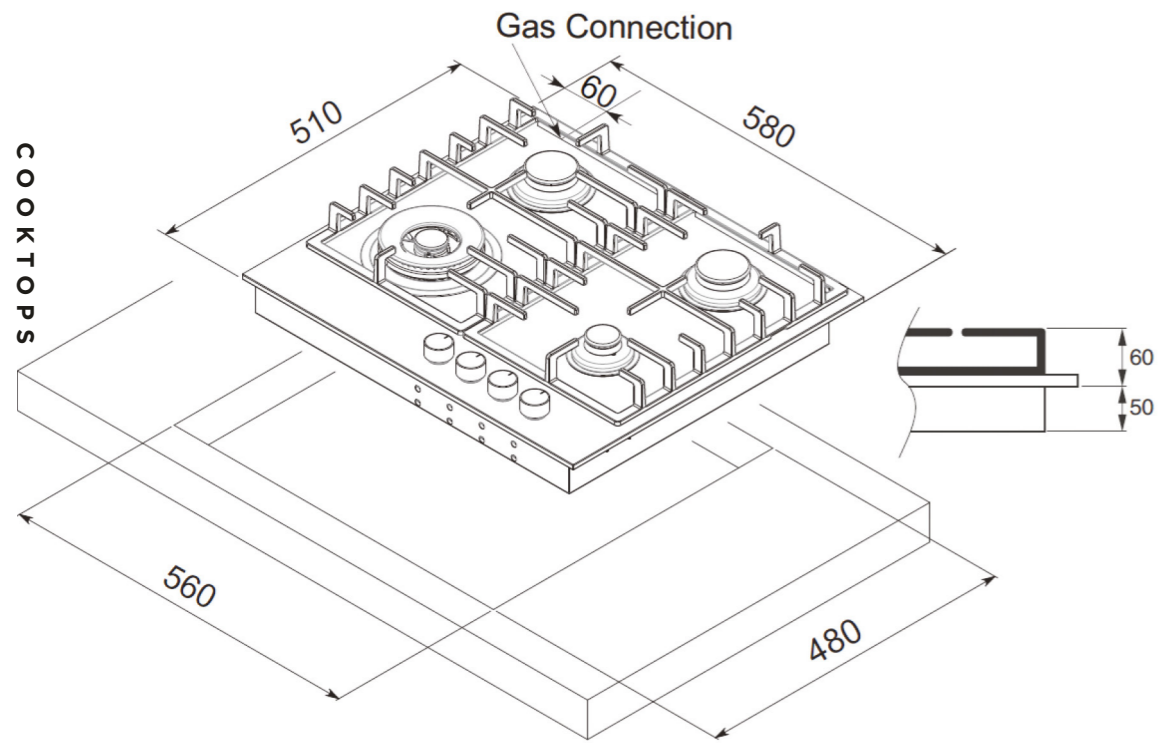
DIMENSIONS (PRODUCT)	
Width x Height x Depth	890 (w) x 60 (h) x 510 (d)
Net weight (kg)	14.9

DIMENSIONS (CUT-OUT)	
Width x Depth	860(w) x 44 (h) x 480 (d)

COOKING ZONES	NG	LPG
Left Burner – Wok burner	14.4 MJ	14.4 MJ
Front Middle – Auxiliary	3.4 MJ	3.4 MJ
Front Right – Semi Rapid	6.3 MJ	5.6 MJ
Back Middle – Semi Rapid	6.3 MJ	5.6 MJ
Back Right – Rapid	11.5 MJ	9.6 MJ
Total Consumption	41.9 MJ	38.6 MJ

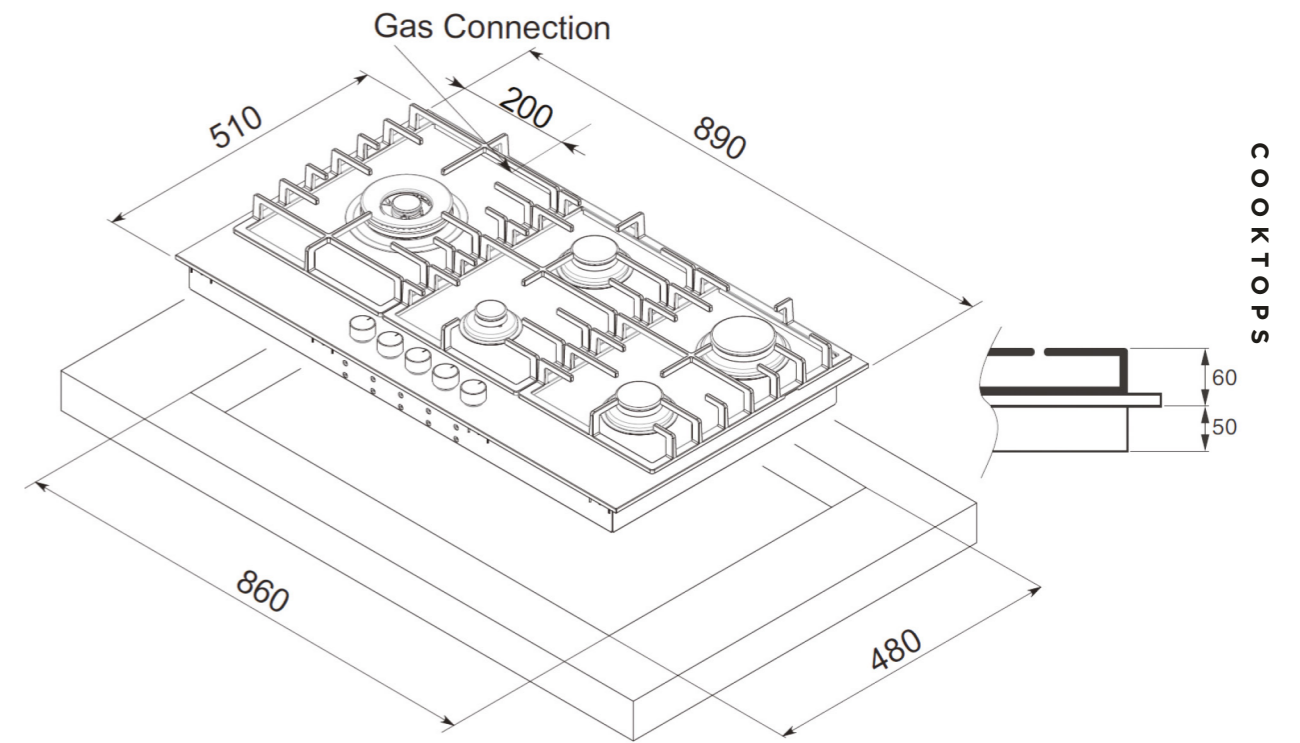
INSTALLATION	
Rated voltage, frequency	220 – 240V, 50 – 60Hz
Electrical connection	10A Plug and Lead
Installation Type	Top mounted

Product and cut-out dimensions are to be used as a guide only. Please refer to actual product before installing, or refer to the instruction manual or website for full instructions.



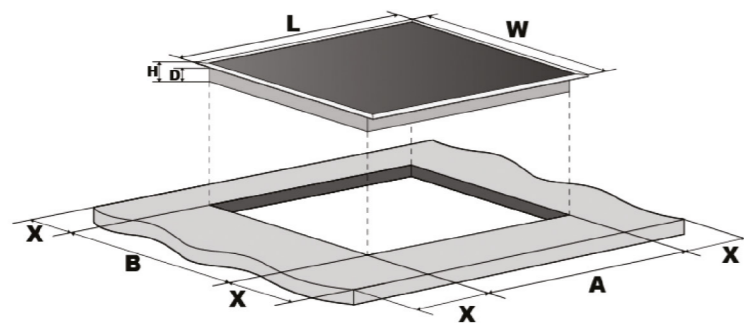
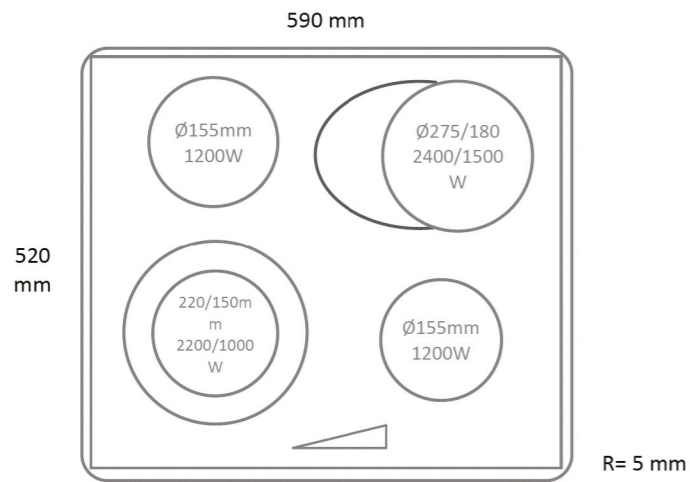
MODEL		BDC604BK	
FEATURES			
Number of burners	4 burners with PowerWok		
Trivet Type	Durable Cast-Iron		
Finish	Black tempered glass		
Flame Failure Safety Device	Yes		
Ignition	Electronic under knob ignition		
Accessories	Cast Iron Wok Support Cast-Iron Pot Stand		
Country of Origin	Italy		
COOKING ZONES		NG	LPG
Front Left – Wok Burner	14.2 MJ	14.2 MJ	
Front Right – Auxiliary	3.8 MJ	3.8 MJ	
Rear Left – Semi Rapid	6.1 MJ	6.1 MJ	
Rear Right – Semi Rapid	6.1 MJ	6.1 MJ	
Total Consumption	30.2 MJ	30.2 MJ	
INSTALLATION			
Power	220 – 240V, 50 / 60Hz		
Electrical connection	10A Plug and Lead		
Installation Type	Top mounted		
DIMENSIONS (PACKED)			
Width x Height x Depth	655 (w) x 140 (h) x 580 (d)		
Gross weight (kg)	15.2		
DIMENSIONS (PRODUCT)			
Width x Height x Depth	580 (w) x 60 (h) x 510 (d)		
Net weight (kg)	14.4		
DIMENSIONS (CUT-OUT)			
Width x Height x Depth	560 (w) x 50 (h) x 480 (d)		

Product and cut-out dimensions are to be used as a guide only. Please refer to actual product before installing, or refer to the instruction manual or website for full instructions.



MODEL		BDC905LBK	
FEATURES			
Number of burners	5 burners with PowerWok		
Trivet Type	Durable Cast-Iron		
Finish	Black tempered glass		
Flame Failure Safety Device	Yes		
Ignition	Electronic under knob ignition		
Accessories	Cast Iron Wok Support Cast-Iron Pot Stand		
Country of Origin	Italy		
COOKING ZONES		NG	LPG
Left Burner – Wok Burner	14.2 MJ	14.2 MJ	
Front Middle – Auxiliary	3.8 MJ	3.8 MJ	
Front Right – Semi Rapid	6.1 MJ	6.1 MJ	
Back Middle – Semi Rapid	6.1 MJ	6.1 MJ	
Back Right – Rapid	9.5 MJ	8.0 MJ	
Total Consumption	39.7 MJ	38.2 MJ	
INSTALLATION			
Rated voltage, frequency	220 - 240V, 50 – 60Hz		
Electrical connection	10A Plug and Lead		
Installation Type	Top mounted		
DIMENSIONS (PACKED)			
Width x Height x Depth	945 (w) x 140 (h) x 580 (d)		
Gross weight (kg)	22.2		
DIMENSIONS (PRODUCT)			
Width x Height x Depth	890 (w) x 60 (h) x 510 (d)		
Gross weight (kg)	20.9		
DIMENSIONS (CUT-OUT)			
Width x Height x Depth	860 (w) x 50 (h) x 480 (d)		

Product and cut-out dimensions are to be used as a guide only. Please refer to actual product before installing, or refer to the instruction manual or website for full instructions.



	L (mm)	W (mm)	H (mm)	D (mm)	A (mm)	B (mm)	X (mm)
BDC64CE	590	520	45	41	560	490	50 min.

MODEL **BDC64CE**

FEATURES

Number of burners	4
Power levels	9 (per zone)
Keep warm	Yes (70° min)
Extendable zone(s)	2
Cooking surface	Eurokera ceramic glass
Bevelled edges	Yes
Controls	Touch + Slide control
Cooking timer	Yes, one each zone
Pause / Recall function	Yes
Hot surface indicators	Yes
Child Lock	Yes
Overflow protection	Yes
Country of Origin	France

COOKING ZONES **NG** **LPG**

Front Left	150 - 220mm	1000 - 2200W
Front Right	155mm	1200W
Rear Left	155mm	1200W
Rear Right	180 - 275mm	1500 - 2400W
Total Power		7000W

INSTALLATION

Rated voltage, frequency	220 - 240V, 50 / 60Hz
Total rated power	7000W
Installation Type	Top mounted

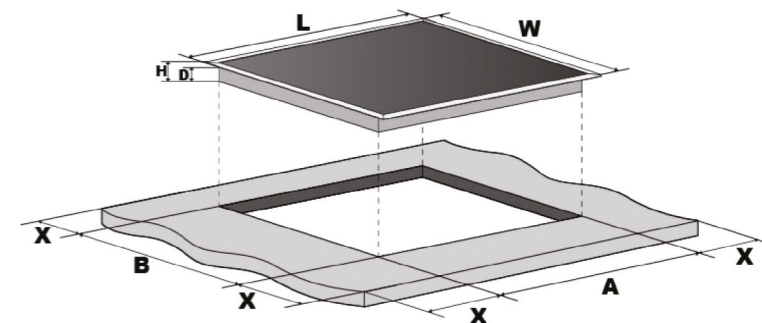
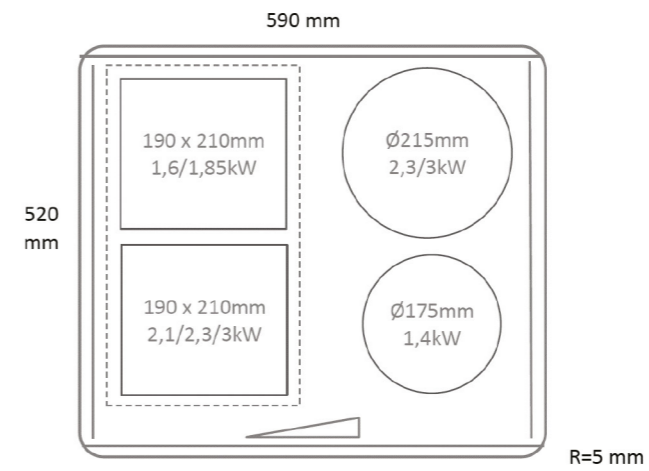
DIMENSIONS (PACKED)

Width x Height x Depth	650 (w) x 95 (h) x 600 (d)
Gross weight (kg)	10.3

DIMENSIONS (PRODUCT)

Width x Height x Depth	590 (w) x 41 (h) x 520 (d)
Net weight (kg)	9.0

Product and cut-out dimensions are to be used as a guide only. Please refer to actual product before installing, or refer to the instruction manual or website for full instructions.



	L (mm)	W (mm)	H (mm)	D (mm)	A (mm)	B (mm)	X (mm)
BDC64INF	590	520	57	53	560	490	50 min.

MODEL **BDC64INF**

FEATURES

Number of zones	4
Power levels	9 (per zone)
Keep warm	Yes (70° min)
Boost / Double Boost	3 (Boost) / 1 (Double Boost)
Flex Zone	Yes
Cooking surface	Eurokera ceramic glass
Bevelled edges	Yes
Controls	Touch + Slide control
Cooking timer	Yes, one each zone
Pause / Recall function	Yes
Hot surface indicators	Yes
Child Lock	Yes
Overflow detection	Yes
Country of Origin	France

COOKING ZONES **NG** **LPG**

Front Left	190 x 210mm	2100 - 3000W
Front Right	175mm	1400W
Rear Left	190 x 210mm	1600 - 1850W
Rear Right	215mm	2300 - 3000W
Total Power		7400W

INSTALLATION

Rated voltage, frequency	220 - 240V, 50 - 60Hz
Total rated power	7400W
Installation Type	Top mounted

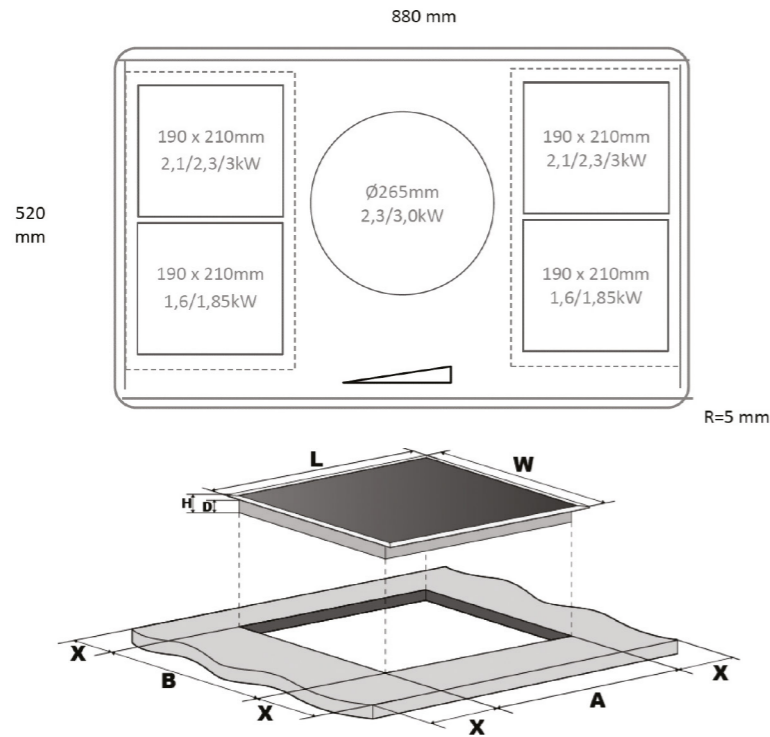
DIMENSIONS (PACKED)

Width x Height x Depth	650 (w) x 95 (h) x 600 (d)
Gross weight (kg)	11.9kg

DIMENSIONS (PRODUCT)

Width x Height x Depth	590 (w) x 53 (h) x 520 (d)
Net weight (kg)	11.0kg

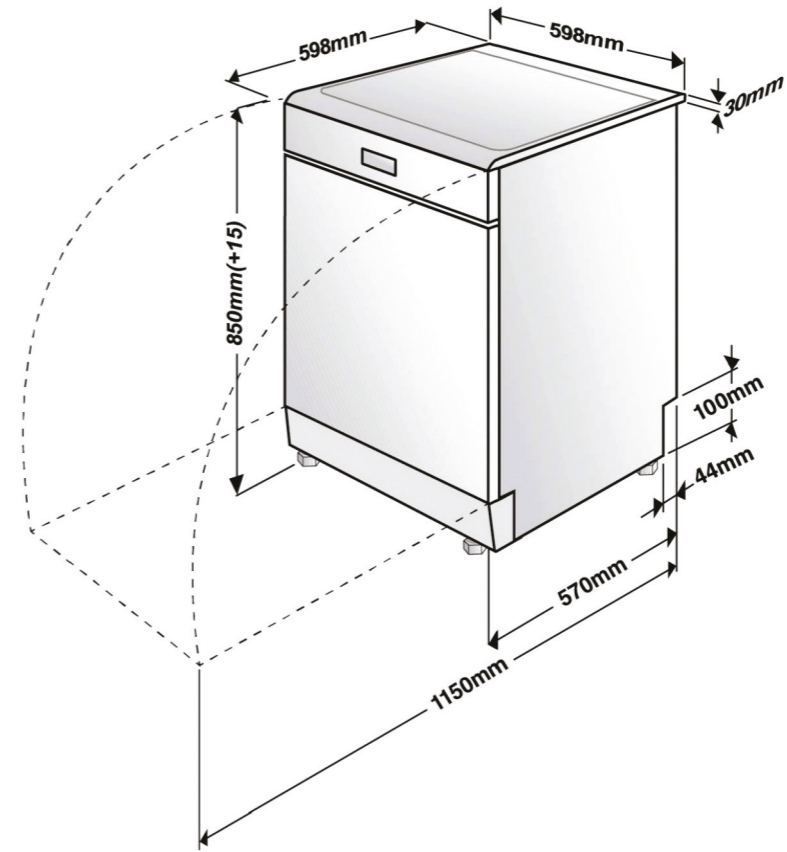
Product and cut-out dimensions are to be used as a guide only. Please refer to actual product before installing, or refer to the instruction manual or website for full instructions.



	L (mm)	W (mm)	H (mm)	D (mm)	A (mm)	B (mm)	X (mm)
BDC95IN2F	880	520	55	51	810	490	50 min

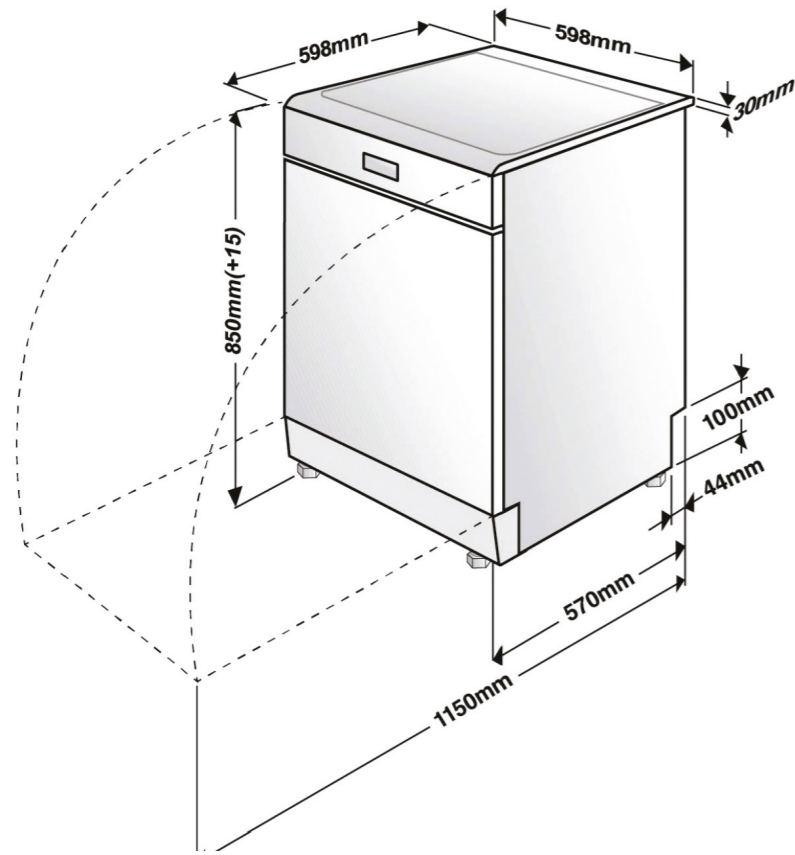
MODEL		BDC95IN2F	
FEATURES			
Number of zones		5	
Power levels		9 (per zone)	
Keep warm		Yes (70° min)	
Boost		5	
Double Boost		2	
Chef Mode		Yes	
Flex Zone(s)		2	
Cooking surface		Eurokera ceramic glass	
Surface finish		Matte-Grey	
Bevelled edges		Yes	
Controls		Touch + Slide control	
LED colour		Red	
Cooking cut-off timer		Yes, one each zone	
Independent egg timer		Yes	
Pause / Recall function		Yes	
Hot surface indicators		Yes	
Child Lock		Yes	
Overflow detection		Yes	
Cleaning function		Yes	
Country of Origin		France	
COOKING ZONES			
		NG	LPG
Front Left	190 x 210	1600 – 1850	
Front Right	190 x 210	1600 – 1850	
Centre	265	2300 – 3000	
Rear Left	190 x 210	2100 – 3000	
Rear Right	190 x 210	2100 – 3000	
Total Rated Power		10,400W	
INSTALLATION			
Rated voltage, frequency		220 - 240V, 50 – 60Hz	
Installed power		10,400W	
Installation Type		Top mounted	
DIMENSIONS (PACKED)			
Width x Height x Depth (mm)		1030 (w) x 100 (h) x 625 (d)	
Gross weight (kg)		17.2	
DIMENSIONS (PRODUCT)			
Width x Height x Depth (mm)		880 (w) x 55 (h) x 520 (d)	
Net weight (kg)		14.8	
DIMENSIONS (CUT-OUT)			
Width x Height x Depth (mm)		810 (w) x 51 (h) x 490 (d)	

Product and cut-out dimensions are to be used as a guide only. Please refer to actual product before installing, or refer to the instruction manual or website for full instructions.



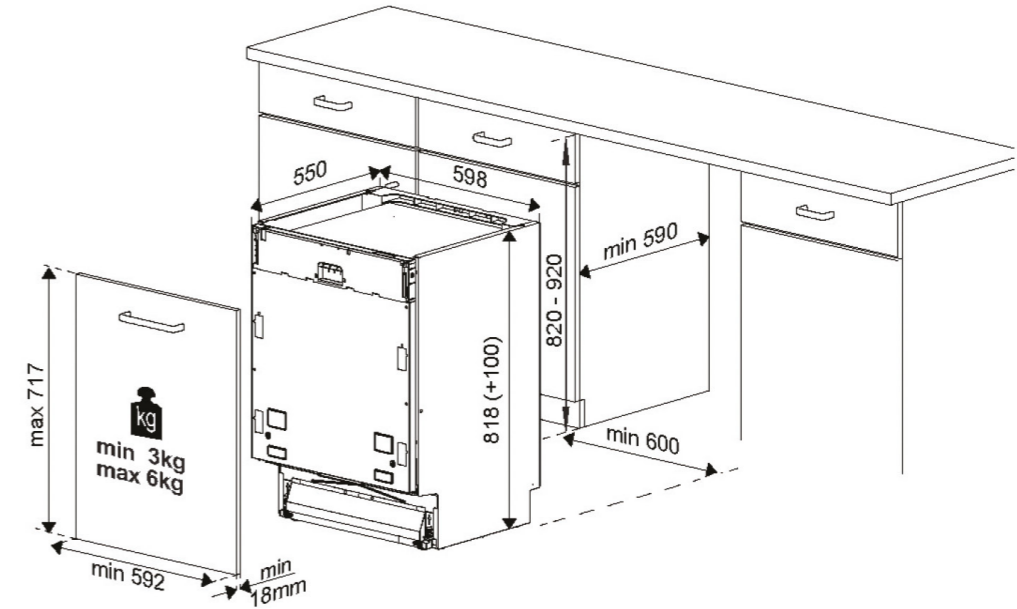
MODEL		BD14FSDX	
FEATURES			
Finish		Stainless Steel	
Place Settings		14	
Display		LED Indicator	
Controls		Electronic Push Button	
Cutlery Tray		Mini Side Tray	
Upper Basket Type		3 Levels (Fully Loaded)	
Cutlery Basket		Included	
No. of Spray Arms		2	
Adjustable Plate Holders		3	
HydroSense		No	
Drying System		Natural	
Delay Start		No	
Flood Protection		Overflow Sensor + Aquastop	
Rinse Aid Indicator		Yes	
Internal Tub Material		Stainless Steel	
Filter Type		3 Stage	
PROGRAMS			
Program 1		Eco 45°	
Program 2		Intensive 70°	
Program 3		Daily 65°	
Program 4		Quick 60°	
Program 5		Mini 35°	
AUXILIARY FUNCTIONS			
Function 1		Half Load	
SPECIFICATIONS			
Installation type		Free standing	
Electrical connection		10A Plug	
Rated Voltage / frequency		220 – 240V / 50Hz	
Total rated power		1800 - 2100W	
Heating Element		1800W	
Motor		Universal	
Energy Rating		3 Star	
Water Rating		3.5 Star	
Noise Level		52dBA	
DIMENSIONS (W X H X D)			
Product Boxed (mm)		657 x 897 x 674	
Product Un-Boxed (mm)		598 x 850 - 865 x 598	
Cut-Out (mm)		600 x 855 - 870 x 600	
WEIGHT			
Product Boxed (kg)		45.2	
Product Un-Boxed (kg)		42.2	
WARRANTY			
Product		5 Years Parts & Labour	

Product and cut-out dimensions are to be used as a guide only. Please refer to actual product before installing, or refer to the instruction manual or website for full instructions.



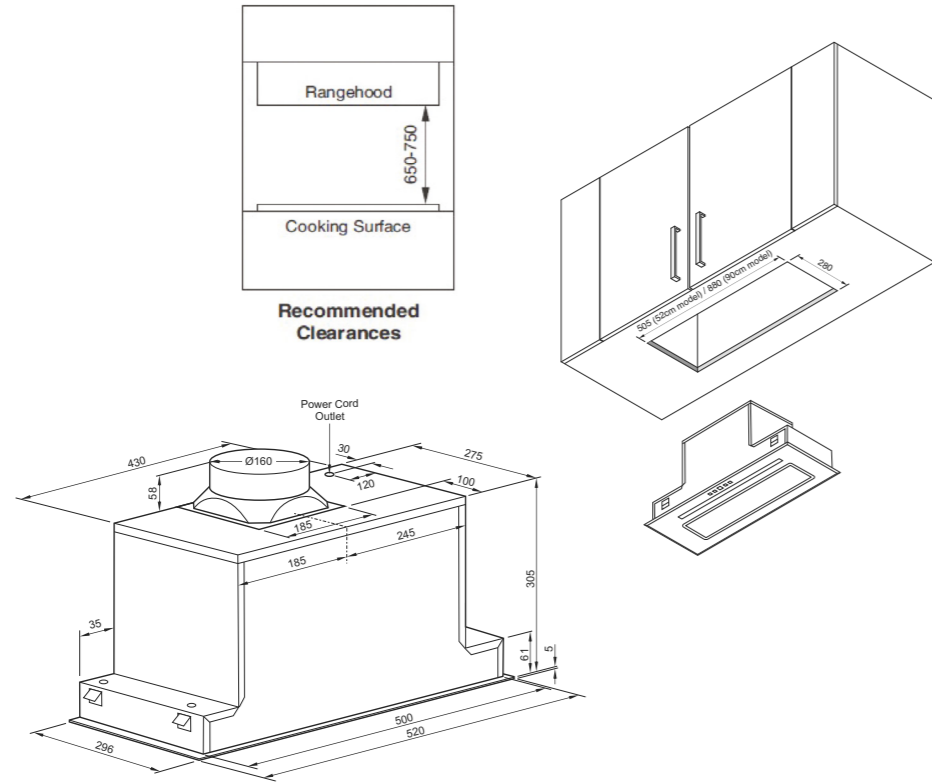
MODEL **BD16FSDX**

FEATURES		AUXILIARY FUNCTIONS	
Finish	Stainless Steel	Function 1	Half Load
Place Settings	16	Function 2	Fast+
Display	White LED	Function 3	Extra Drying
Controls	Electronic Push Button	Function 4	Turbo Wash
Cutlery Tray	Full Size	SPECIFICATIONS	
Upper Basket Type	3 Levels (Fully Loaded)	Installation type	Freestanding
Cutlery Basket	Included	Electrical connection	10A Plug
No. of Spray Arms	3	Rated voltage / frequency	220 – 240V / 50Hz
Adjustable Plate Holders	3	Total Rated Power	1800 - 2100W
HydroSense	Yes	Heating Element	1800W
Drying System	Closed Fan	Motor	BLDC
Delay Start	Up to 24Hrs	Energy Rating	4 Star
Flood Protection	Overflow Sensor + Aquastop	Water Rating	4.5 Star
Rinse Aid Indicator	Yes	Noise Level	43dBA
Internal Tub Material	Stainless Steel	DIMENSIONS (W X H X D)	
Filter Type	3 Stage	Product Boxed (mm)	657 x 897 x 674
PROGRAMS		Product Un-Boxed (mm)	598 x 850 - 865 x 598
Program 0	Tub Clean	Cut-Out (mm)	600 x 855 - 870 x 600
Program 1	Eco 45°	WEIGHT	
Program 2	Auto 40 - 65°	Product Boxed (kg)	54.7
Program 3	MixWash+ 55 - 65°	Product Un-Boxed (kg)	50.8
Program 4	Intensive 70°	WARRANTY	
Program 5	Quick 60°	Product	5 Years Parts & Labour
Program 6	GlassCare 40°	Brushless Motor	10 Years Parts Only
Program 7	Mini 35°	<i>Product and cut-out dimensions are to be used as a guide only. Please refer to actual product before installing, or refer to the instruction manual or website for full instructions.</i>	
Program 8	Pre-wash		

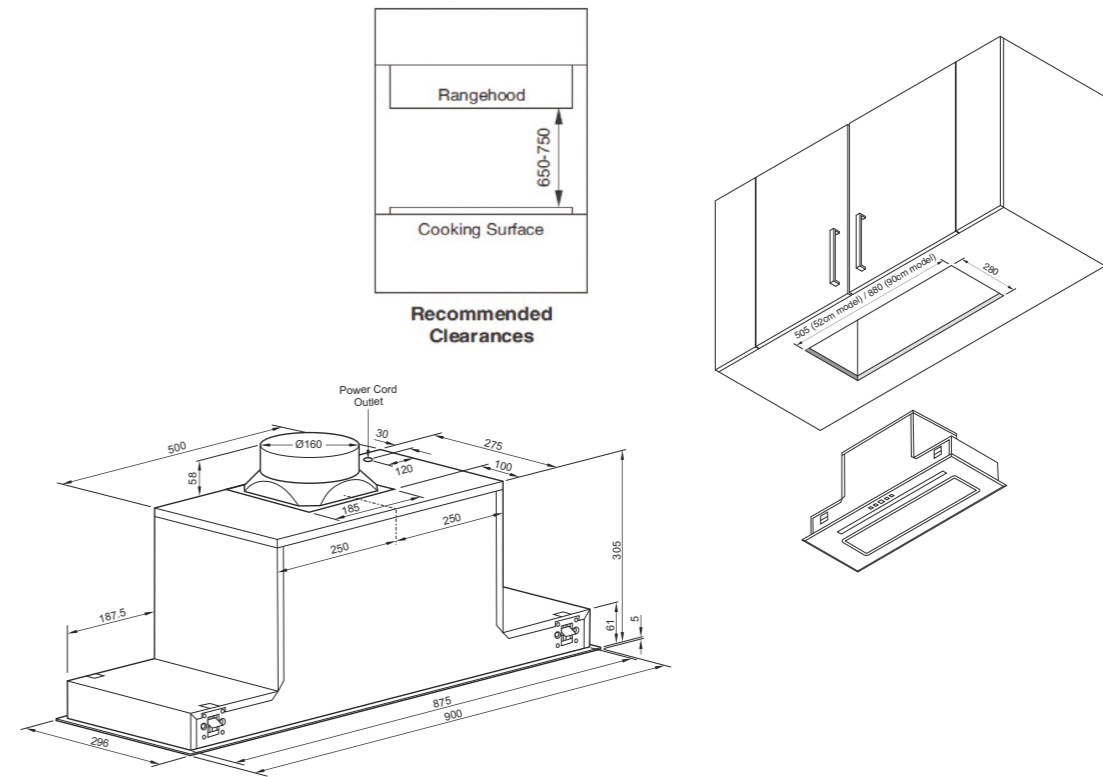


MODEL **BD16FID**

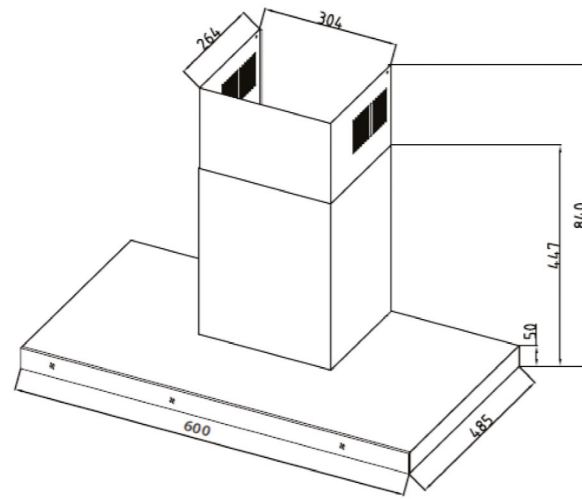
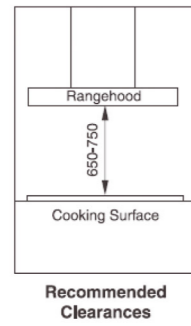
FEATURES		AUXILIARY FUNCTIONS	
Finish	Fully Integrated	Function 1	Half Load
Place Settings	16	Function 2	Fast+
Display	Red LED (Internal)	Function 3	Extra Drying
Controls	Electronic Push Button	Function 4	Turbo Wash
Cutlery Tray	Full Size	SPECIFICATIONS	
Upper Basket Type	3 Levels (Fully Loaded)	Installation type	Under-bench* *Separate kick panel and cabinet door to be provided by kitchen cabinet manufacturer
Cutlery Basket	Included	Electrical connection	10A Plug
No. of Spray Arms	3	Rated voltage / frequency	220 – 240V / 50Hz
Adjustable Plate Holders	3	Total rated power	1800 - 2100W
HydroSense	Yes	Heating Element	1800W
Drying System	Closed Fan	Motor	BLDC
Delay Start	Up to 24Hrs	Energy Rating	4 Star
Flood Protection	Overflow Sensor + Aquastop	Water Rating	4.5 Star
Rinse Aid Indicator	Yes	Noise Level	43dBA
Internal Tub Material	Stainless Steel	DIMENSIONS (W X H X D)	
Filter Type	3 Stage	Product Boxed (mm)	657 x 867 x 674
Overflow protection	Yes	Product Un-Boxed (mm)	598 x 818 - 918 x 550
Cleaning function	Yes	Cut-Out (mm)	600 x 820 – 920 x 590
Country of Origin	France	WEIGHT	
PROGRAMS		Product Boxed (kg)	42.1
Program 1	Eco 45°	Product Un-Boxed (kg)	37.9
Program 2	Auto 40 - 65°	WARRANTY	
Program 3	MixWash+ 55 - 65°	Product	5 Years Parts & Labour
Program 4	Intensive 70°	Brushless Motor	10 Years Parts Only
Program 5	Quick 60°	<i>Product and cut-out dimensions are to be used as a guide only. Please refer to actual product before installing, or refer to the instruction manual or website for full instructions.</i>	
Program 6	GlassCare 40°		
Program 7	Mini 35°		
Program 8	Pre-wash		



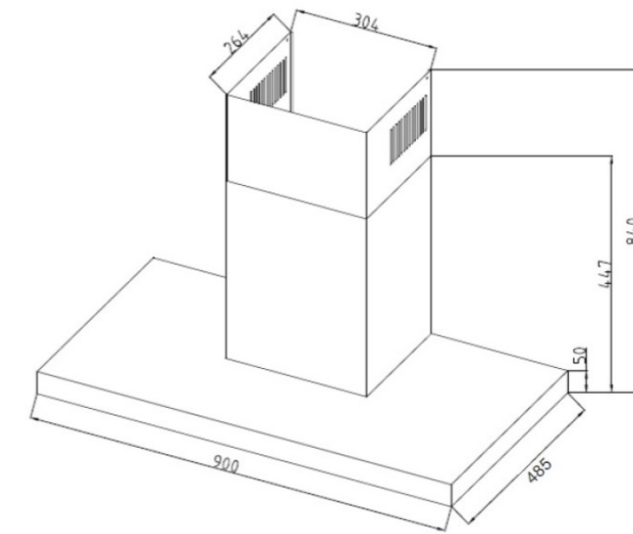
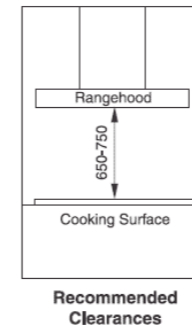
MODEL		TGU52BK	
Type	Undermount	INSTALLATION	
Extraction	Ducted	Electrical connection	10A plug
RANGEHOOD FUNCTIONS		Rated voltage / frequency	220 - 240V / 50Hz
No. of fan speeds	3	Motor (W)	265
Lights	2 x 2W LED strip	Total rated power	269W
RANGEHOOD FEATURES		DIMENSIONS (W X H X D)	
Maximum airflow (m3/h)	1000	Product (mm)	520 x 310 x 296
Maximum noise level (dBA)	60	Cut out (mm)	505 x 305 x 280
Controls	Sensor touch	<i>Technika's policy is one of continuous development and improvement. We reserve the right to change specifications without prior notice. Illustrations and specifications are for guidance purposes only, please refer to the instruction manual for more information.</i>	
Filters	1 aluminium mesh		
Timer	Yes		



MODEL		TGU90BK	
Type	Undermount	INSTALLATION	
Extraction	Ducted	Electrical connection	10A plug
RANGEHOOD FUNCTIONS		Rated voltage / frequency	220 - 240V / 50Hz
No. of fan speeds	3	Motor (W)	265
Lights	2 x 2W LED strip	Total rated power	269W
RANGEHOOD FEATURES		DIMENSIONS (W X H X D)	
Maximum airflow (m3/h)	1000	Product (mm)	900 x 310 x 296
Maximum noise level (dBA)	62	Cut out (mm)	880 x 305 x 280
Controls	Sensor touch	<i>Technika's policy is one of continuous development and improvement. We reserve the right to change specifications without prior notice. Illustrations and specifications are for guidance purposes only, please refer to the instruction manual for more information.</i>	
Filters	1 aluminium mesh		
Timer	Yes		



MODEL		TCR60BK	
Type	Canopy	INSTALLATION	
Extraction	Ducted	Electrical connection	10A plug
RANGEHOOD FUNCTIONS		Rated voltage / frequency	240V / 50Hz
No. of fan speeds	4 + Turbo	Motor (W)	320
Lights	2 x 2W LED	Total rated power	324W
RANGEHOOD FEATURES		DIMENSIONS (W X H X D)	
Maximum airflow (m3/h)	1000	Product (mm)	600 x 580- 1050 x 485
Maximum noise level (dBA)	74	Minimum gap required (mm)	601
Controls	Sensor touch	<i>Technika's policy is one of continuous development and improvement. We reserve the right to change specifications without prior notice. Illustrations and specifications are for guidance purposes only, please refer to the instruction manual for more information.</i>	
Filters	2 stainless steel baffle		
Timer	Yes		



MODEL		TCR90BK	
Type	Canopy	INSTALLATION	
Extraction	Ducted	Electrical connection	10A plug
RANGEHOOD FUNCTIONS		Rated voltage / frequency	240V / 50Hz
No. of fan speeds	4 + Turbo	Motor (W)	320
Lights	2 x 2W LED strip	Total rated power	324W
RANGEHOOD FEATURES		DIMENSIONS (W X H X D)	
Maximum airflow (m3/h)	1000	Product (mm)	900 x 580-1050 x 485
Maximum noise level (dBA)	74	Minimum gap required (mm)	901
Controls	Sensor touch	<i>Technika's policy is one of continuous development and improvement. We reserve the right to change specifications without prior notice. Illustrations and specifications are for guidance purposes only, please refer to the instruction manual for more information.</i>	
Filters	3 Stainless steel baffle		
Timer	Yes		



Belling Design Collection Warranty

Belling constantly seeks ways to improve the specifications and design of its products. Whilst every effort is made to produce up to date literature, this brochure should not be regarded as an infallible guide. Actual product only should be used to derive cut-out sizes.

INSTALLATION WARNING

Incorrect installation of any product will void all warranty

NOTE

All dimensions on these pages are in millimetres and the illustrations are intended as a guide only. Complete instructions are enclosed with the appliance or can be obtained by contacting the customer care centre on toll free 1800 333 244 or by email: customer.care@glendimplex.com.au

All Rangehoods are supplied with a complete mounting kit, easy to follow instructions, and can be plugged into a standard power unit. All rangehoods must be installed in accordance with local building regulations. Belling recommends that rangehoods be installed between 650mm and 750mm above the highest point of the cooking surface. The rangehood must not be any lower than 600mm from the highest point of the cooking surface as per AS/NZS 5601.

PRODUCT SUPPORT AND SERVICE

Belling has an extensive national service network. Please contact our national customer care centre toll free on 1800 333 244.

CAUTION

All ovens have been tested and approved to the relevant Australian Standards. Where it is built in or close to a cabinet, the cabinet material must be capable of withstanding 75 degrees. Belling will not accept responsibility for incorrect installation into low temperature tolerant cabinets. Please contact Belling's national customer care line for the installation details on 1800 333 244 or by emailing customer.care@glendimplex.com.au

WARRANTY

All Belling Design Collection appliances carry a 5 year parts & labour warranty, excluding consumables ie. globes.

Natural gas regulators are provided with all gas appliances as per the Australian Standard requirement and carry a 12 month warranty only.

All appliances that incorporate electronic components (ie. programmable clocks and electronic switching) should be fitted with a surge protection device to guard against damage which can be caused by power fluctuations or surges.

This warranty does not cover damage caused by such events.

GlenDimplex
AUSTRALIA

GLEN DIMPLEX AUSTRALIA PTY LTD
1/239 Ferntree Gully Road, Mount Waverly VIC 3149

Glen Dimplex Australia's Policy is one of continuous development and improvement. We reserve the right to change specifications and prices without prior notice.

