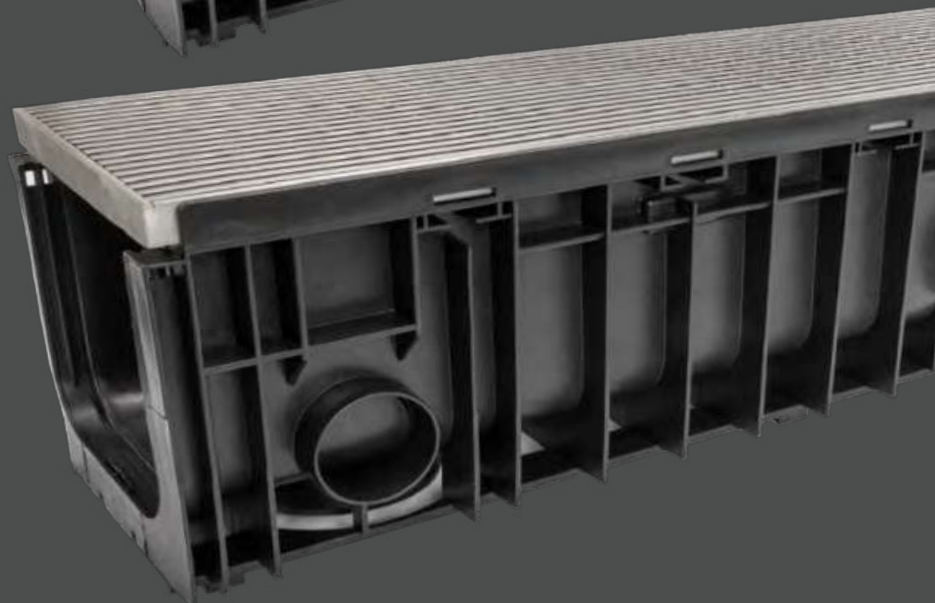
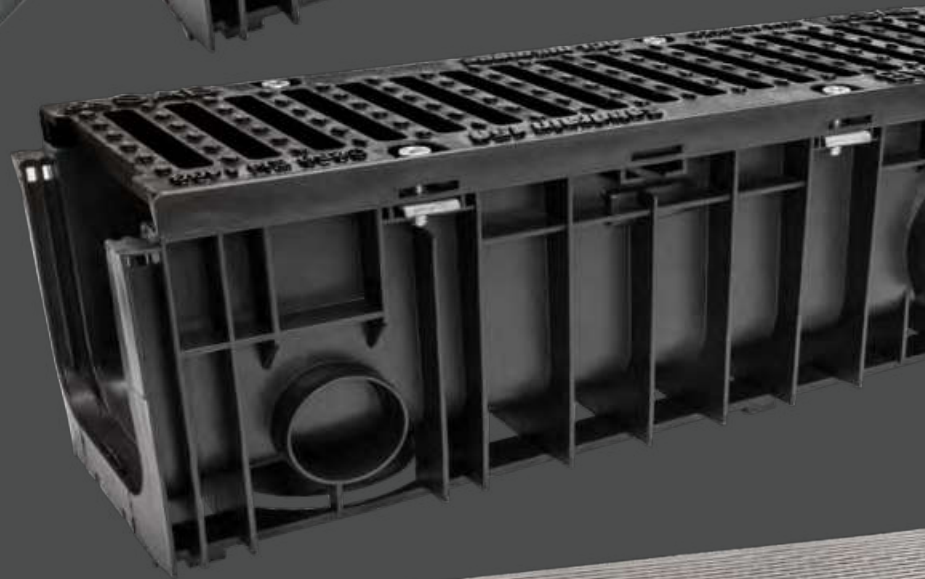
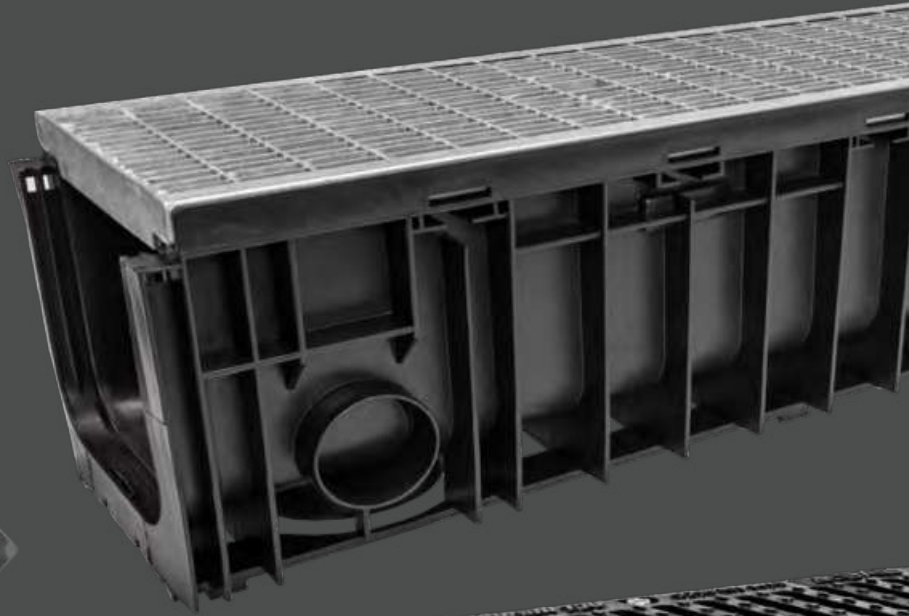




**SAB***drain*  
water drainage systems



**The details that make the difference.....**

# Contents

The SAB Advantage	2
Details That Make The Difference	3-4
Polypropylene Series ( <i>Class A-C</i> )	5
Pressed Metal Series ( <i>Class A</i> )	6
Galvanised Series ( <i>Class B-C</i> )	7-8
Cast Iron Series ( <i>Class C-G</i> )	9-16
Stainless Steel Series ( <i>Class A</i> )	17-18
Accessories	19-20
Grates	21
Classifications	22

# The **SAB** Advantage.....



## Recyclable

SABdrain products are made from 100% recyclable products that can be used again in the manufacturing process.



## Ease Of Assembly

The modular design of our channels ensures assembly and installation of the drainage channels is quick & easy; saving time and money.



## Chemical Resistance

SABdrain's superior polypropylene construction, it is able to resist most chemical agents, acids, salts, alkaline, fuels, oils, fats & more.



## Heel Guard

Our heel guard grates are made to the accepted standard of 5/16" (8.5mm), preventing heels from catching on the grate.



## High Strength

The advanced construction of the channel gives it greater structural rigidity, protecting it from damage during and after installation.



## Anti-Slip

Anti-slip nodules giving the grate a slip resistant surface.

**100mm x 50mm**

-  
**500mm x 500mm**

Large Range Of Channel  
Sizes



## Lightweight

Easier to handle, transport, and install.

# The details that make the difference.....

## Grate Fixings



### GRATE SECURITY FIXING

All SABdrain drainage channels are equipped with security grate locking devices (optional on SABdrain 507 and 351). This unique system keeps the grates rattle free from vehicular movements and secures the drainage system from unauthorised access. SABdrain 507 and 351 utilizes a click-clack grate holding arrangement that allows ease of access while still being able to hold it firmly in place.

## 2 Degree Off-Set



### 2 ° OFFSET

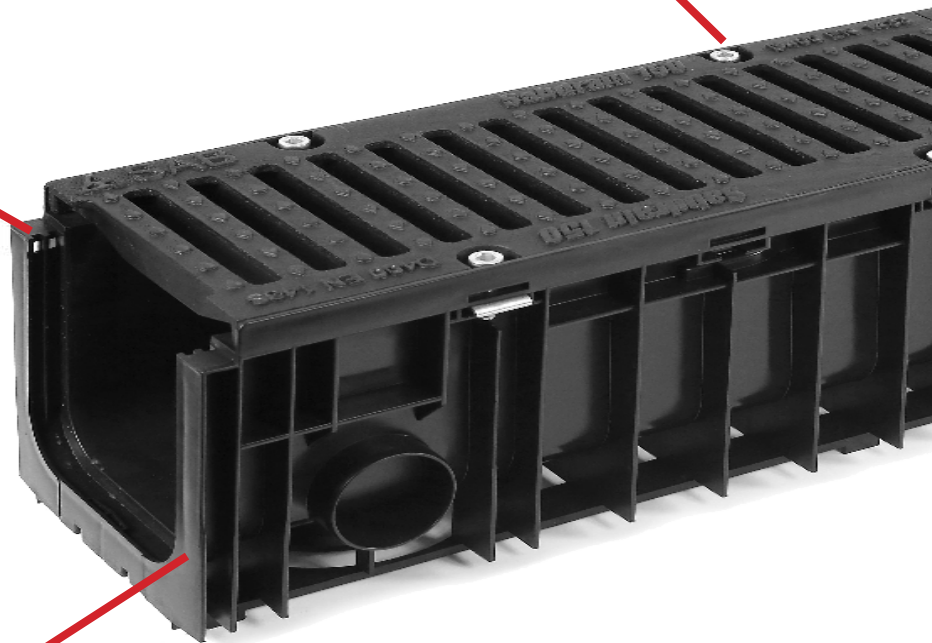
Each SABdrain channel's interlocking joint connection system is equipped with a 2° offset feature that allows the drainage system to be installed along curved applications, while still allowing the exact fitting and locking together of channels into place.

## Channel Connection



### CHANNEL JOINING SYSTEM

SABdrain drainage channels have been designed with interlocking joint connection systems that allows an exact fitting and locking together of the channel ends preventing any lateral and vertical displacement. Due to this unique joining system it allows the channels to be easily transported and assembled on site without the need of additional fittings.

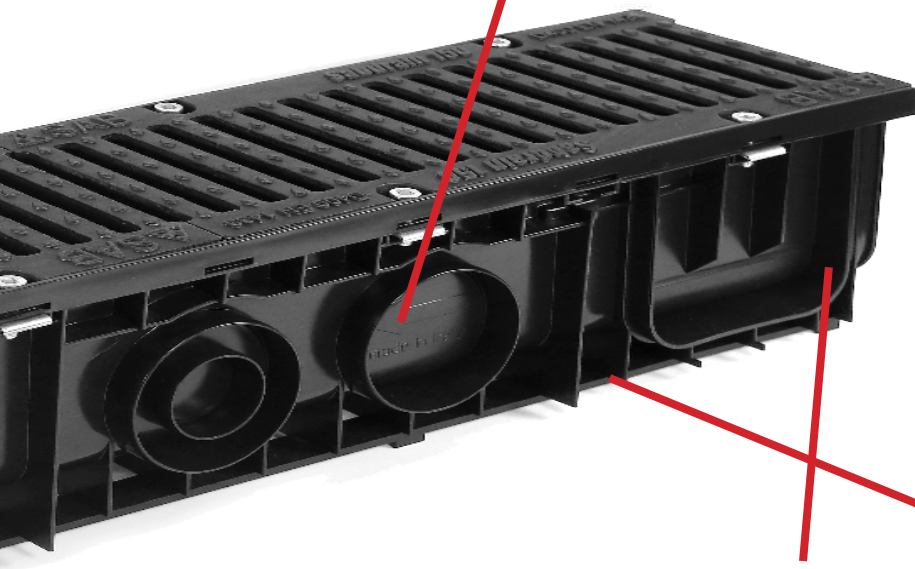


## Pipe Connection



### PIPE OUTLET CONNECTIONS

Each SABdrain drainage channels are fitted with a series of preset pipe connections on the base and side of each unit, that allows for a simple cut – out and connection to the stormwater system using standard PVC stormwater fittings.



## Channel Base



### CHANNEL BASE DESIGN

SABdrain drainage channels are designed with anti-floatation devices consisting of longitudinal and vertical profiles that facilitate the flow of concrete around the channels base and sides, preventing it from floating as it is being placed.

## Lateral Channel Connection

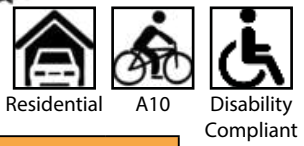


### LATERAL CONNECTION SYSTEM

All SABdrain drainage channels are equipped with preset lateral connections to enable 90° joining of two channel units together. This feature allows the creation of right angle, tees and crosses without the need of any additional fittings.

# 351 Polypropylene Grate & Channel

SABdrain 351 modular drainage channel offers an economical and versatile system for use in residential situations such as driveways, pathways and more. The polypropylene grate utilizes a click-clack fixing system as well as an optional security fixing, allowing quick and easy access and secure fastening of the drainage system.



SABDRAIN 351																
CODE	L	H	L1	H1	L2	Drain cm <sup>2</sup>	D1	D2	D3	D4	D5	S1	S2	A	KG	
DR351100100	100	100	150	150	145	171	63	90	63	63	100	110	63	1000	3.5	
DR351100150	100	150	150	200	145	171	63	110	63	110	100	110	63	1000	4.0	

# 355 Polypropylene Grate & Channel

SABdrain 355 features a polypropylene heel guard & anti-slip grate with a polypropylene channel. The Class B system makes it perfect for pathways and driveways. Our polypropylene click-clack channels ensures install is quick and easy.



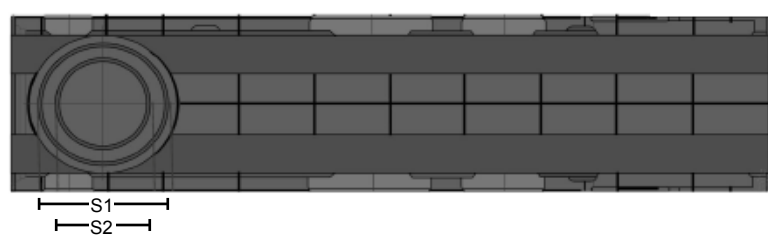
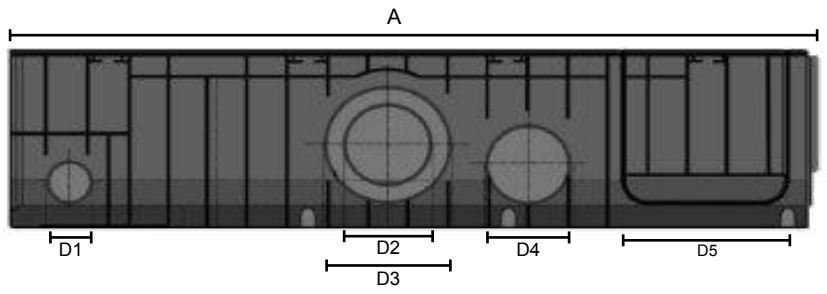
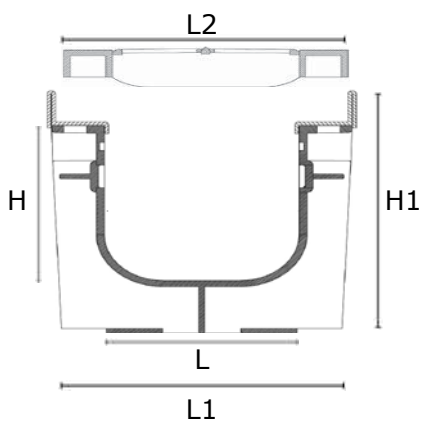
SABDRAIN 355																
CODE	L	H	L1	H1	L2	Drain cm <sup>2</sup>	D1	D2	D3	D4	D5	S1	S2	A	KG	
DR355100100	100	100	150	150	146	144	63	90	63	63	100	110	63	1000	4.7	
DR355100150	100	150	150	200	146	144	63	110	63	110	100	110	63	1000	5.2	

# 356 Polypropylene Grate & Channel

SABdrain 356 offers an ideal versatile drainage solution for commercial driveways, petrol stations and areas subject to light commercial vehicles. Easy install with our click-clack channels & a click clack grate.



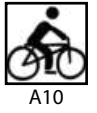
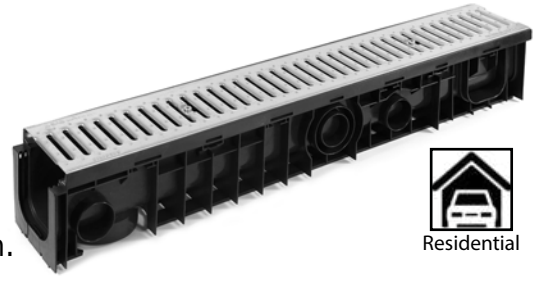
SABDRAIN 356																
CODE	L	H	L1	H1	L2	Drain cm <sup>2</sup>	D1	D2	D3	D4	D5	S1	S2	A	KG	
DR356100100	100	100	150	150	146	144	63	90	63	63	100	110	63	1000	4.8	
DR356100150	100	150	150	200	146	144	63	110	63	110	100	110	63	1000	5.3	



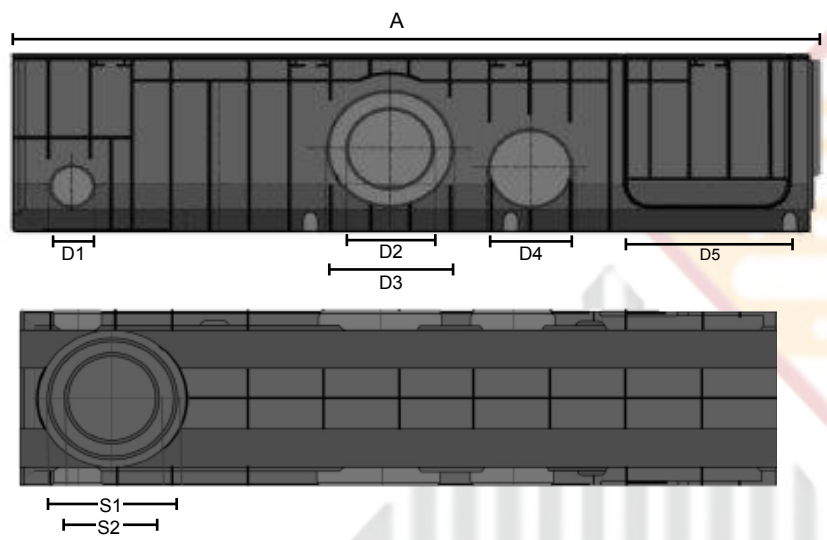
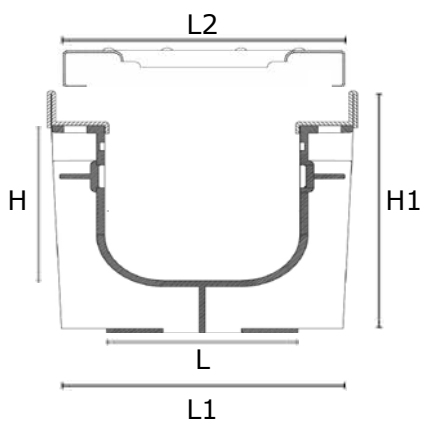
# 501 Metal Grate & Channel

SABdrain 501 is a lightweight and easily installed drainage channel designed for use in pedestrian areas such as plazas, walkways, malls and residential driveway situations.

The slotted pressed metal grate utilises a click-clack fixing system allowing quick and easy access to the drainage system.



SABDRAIN 501															
CODE	L	H	L1	H1	L2	Drain cm <sup>2</sup>	D1	D2	D3	D4	D5	S1	S2	A	KG
DR501100100	100	100	150	150	145	260	63	90	63	63	100	110	63	1000	4.1
DR501100150	100	150	150	200	145	260	63	110	63	110	100	110	63	1000	4.5



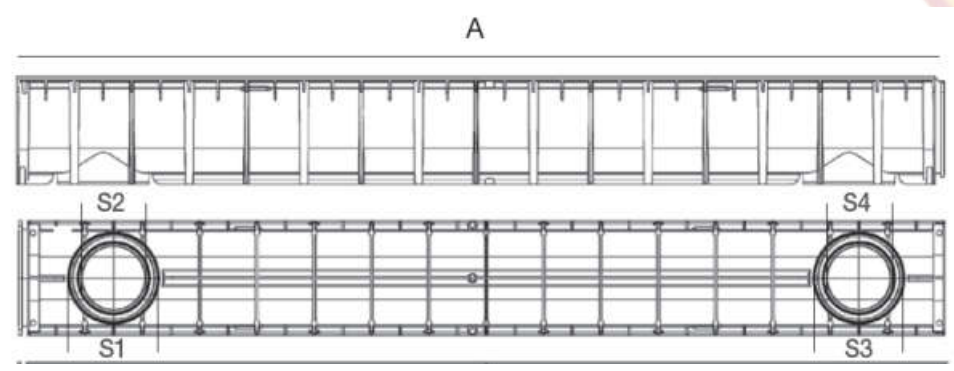
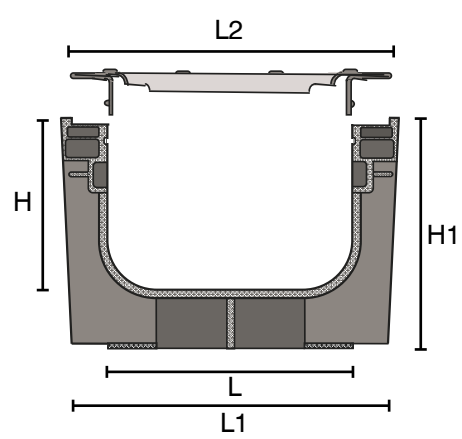
# 508 Flat Edge Grate & Channel

SABdrain 508 is a durable, lightweight and easily installed drainage channel developed for the DIY market, rated to withstand a 1.5 tonne wheel loading. The galvanised slotted pressed metal grate utilizes a click-clack fixing system allowing quick and easy access to the drainage system.

**Available in single or kit box (3 channels and 2 end caps)**



SABDRAIN 508												
CODE	L	H	L1	H1	L2	Drain	S1	S2	S3	S4	A	KG
DR508100100	100	100	125	117	118	260	90	75	100	80	1000	2.2



# 601 Galvanised Steel Grate & Channel

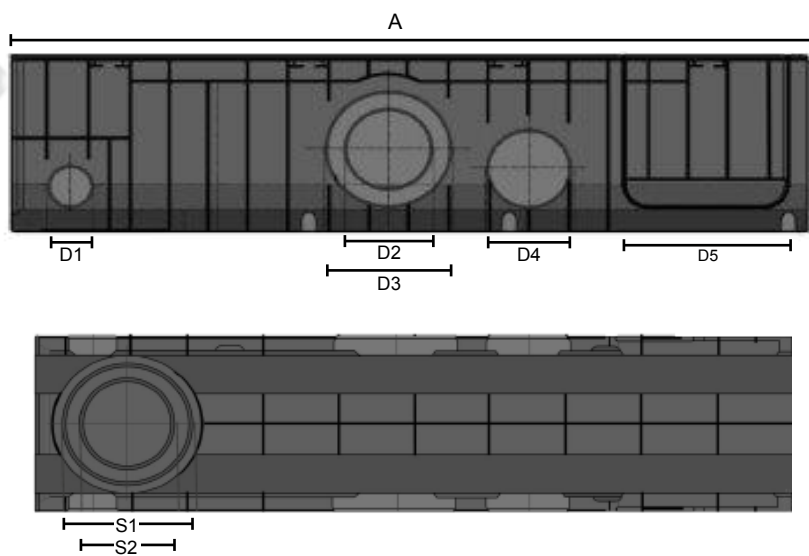
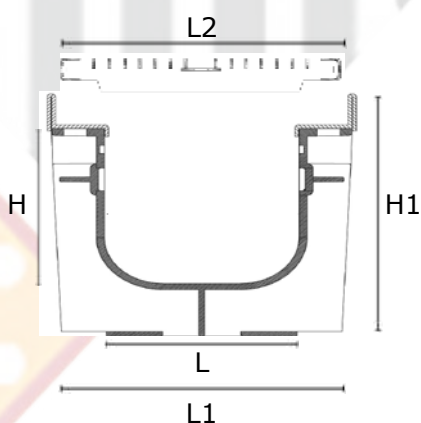
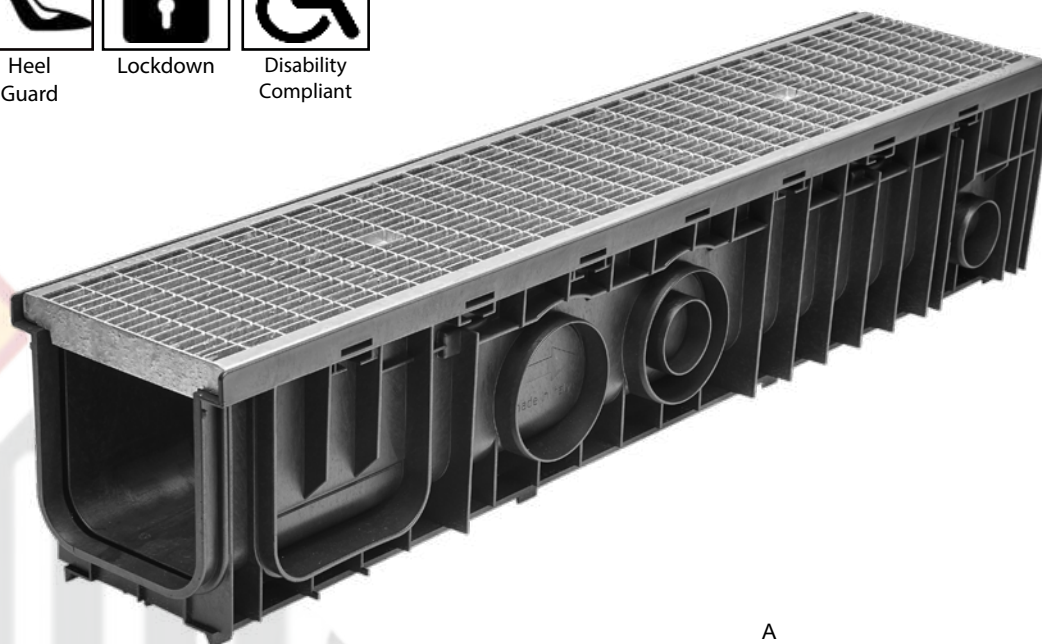
SABdrain 601 combines the flexibility and durability of a polypropylene drainage channel unit whilst still being able to satisfy the strength requirements for situations that require accessibility for passenger and light commercial vehicles. This reliable Class B rated channel and grate has been designed to offer maximum versatility while delivering a lifetime of low maintenance service. Each galvanised gate comes with a 2 point security fixing, to keep it rattle free from vehicular movements and secure it from unauthorised access. Heel guard type grate, preventing heeled shoes & other objects from becoming caught in the grate. Ideal for driveway drainage, footpaths, schools, petrol stations and much more.



B80

Heel  
Guard

Lockdown

Disability  
Compliant

SABDRAIN 601

CODE	L	H	L1	H1	L2	Drain cm <sup>2</sup>	D1	D2	D3	D4	D5	S1	S2	A	KG
DR601100100	100	100	150	150	145	800	63	90	63	63	100	110	63	1000	6.4
DR601100150	100	150	150	200	145	800	63	110	63	110	100	110	63	1000	6.9
DR601150100	150	100	200	150	195	1241	63	90	63	63	150	110	63	1000	8.3
DR601150150	150	150	200	200	195	1241	63	110	63	110	150	110	63	1000	9.0
DR601200100	200	100	250	150	245	1485	63	90	63	63	200	160	110	1000	12.1
DR601200150	200	150	250	200	245	1485	63	110	63	90	200	160	110	1000	12.6
DR601200200	200	200	250	250	245	1485	63	160	110	90	200	160	110	1000	13.1
DR601200250	200	250	250	300	245	1485	63	160	110	90	200	160	110	1000	13.6
DR601200300	200	300	250	350	245	1485	63	160	110	90	200	160	110	1000	14.1



# 603 Galvanised Steel Grate & Channel

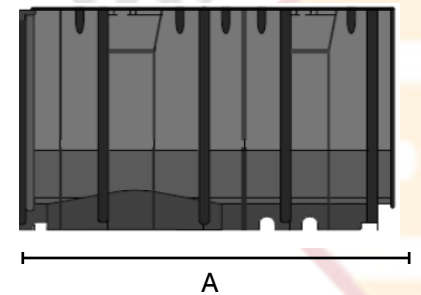
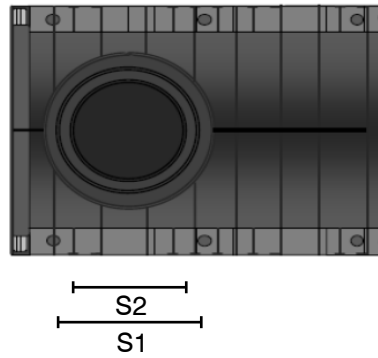
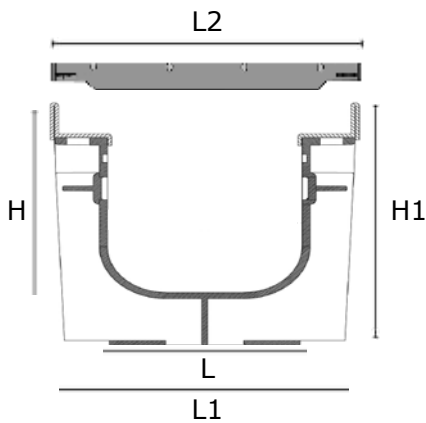
SABdrain 603 series combines the flexibility and durability of a polypropylene drainage channel unit whilst still being able to satisfy the strength requirements for situations that require accessibility for passenger and light vehicles, as well as malls & areas open to slow moving heavy commercial vehicles. This rated channel and grate has been designed to offer maximum versatility while delivering a lifetime of low maintenance service. Each galvanised grate comes with a 8 point security fixing, to keep it rattle free from vehicular movements & secure it from unauthorised access, as well as steel side edges to give greater resistance to heavy loads.



C150



Lockdown



SABDRAIN 603										
CODE	L	H	L1	H1	L2	Drain cm <sup>2</sup> (1M)	S1	S2	A	KG
DR603300200	300	200	390	270	376	2882	160	200	500mm (sold in 1M lengths)	34.15
DR603300300	300	300	390	370	376	2882	160	200	500mm (sold in 1M lengths)	35.6

# 704 Cast Iron Grate & Channel

SABdrain 704 provides the ultimate desirability for design and functionality of the best drainage channel available to the civil construction markets. From its lightweight channel unit with steel edges to its high strength cast iron grate, this drainage system meets it all. This rated channel and grate has been designed for situations that need accessibility for heavy commercial & forklift vehicles as well as being able to meet the demands of highway use. This has a load classification of up to a Class E rating. Each grate is equipped with 8 point security fixing system to keep it rattle free from vehicular movements and secure it from unauthorised access.



C150



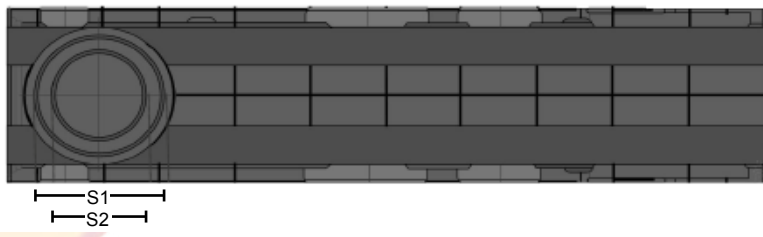
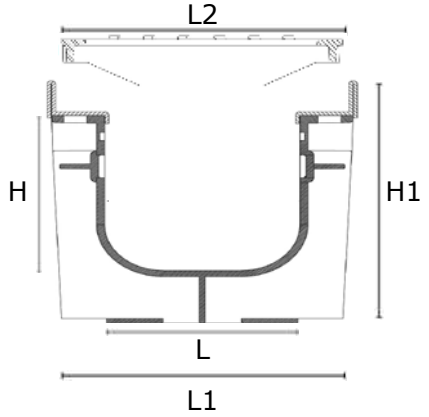
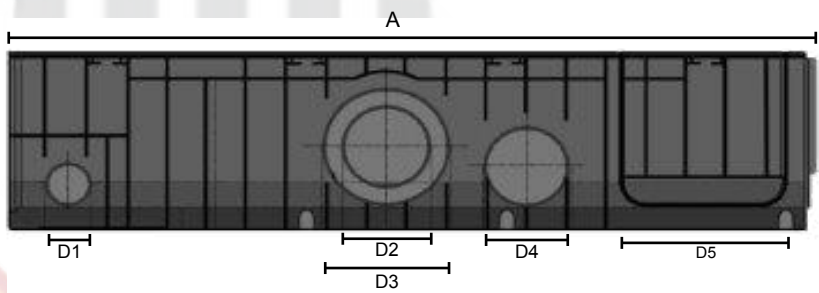
D210



Anti-Slip



Lockdown



SABDRAIN 704															
CODE	L	H	L1	H1	L2	Drain cm <sup>2</sup>	D1	D2	D3	D4	D5	S1	S2	A	KG
DR704100100	100	100	150	150	146	220	63	90	63	63	100	110	63	1000	11.3
DR704100150	100	150	150	200	146	220	63	110	63	110	100	110	63	1000	11.8
DR704150100	150	100	200	150	197	348	63	90	63	63	150	110	63	1000	14.5
DR704150150	150	150	200	200	197	348	63	110	63	110	150	110	63	1000	15.2
DR704200100	200	100	250	150	247	494	63	90	63	63	200	160	110	1000	17.4
DR704200150	200	150	250	200	247	494	63	110	63	90	200	160	110	1000	17.9
DR704200200	200	200	250	250	247	494	63	160	110	90	200	160	110	1000	18.4
DR704200250	200	250	250	300	247	494	63	160	110	90	200	160	110	1000	18.9
DR704200300	200	300	250	350	247	494	63	160	110	90	200	160	110	1000	19.4

# 704 Grande Cast Iron Grate & Channel

SABdrain 704 grande is one of our largest channel and grate units available for ever increasing needs of the drainage market. While still being able to meet what is necessary to comply with the design requirements of class C & D Rating. This includes heavy commercial vehicles, roads & motorways. Each grate is equipped with a 4 point security fixing system to secure it from unauthorised access and keep it rattle free from vehicular movements along with steel side edging to give higher resistance to heavy loads.



C150



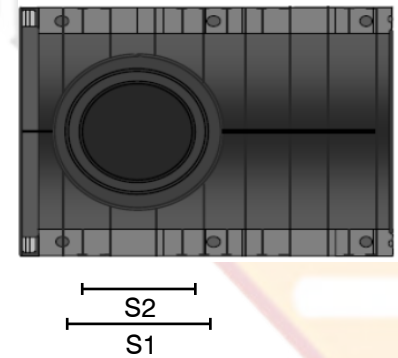
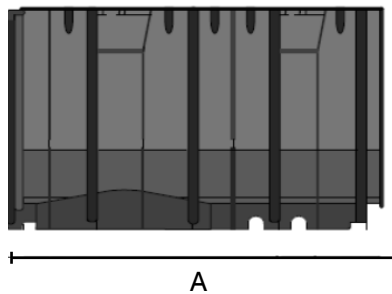
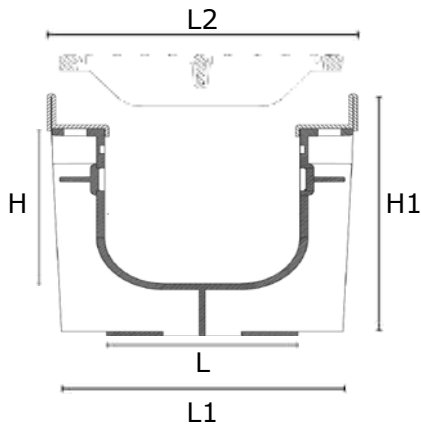
D210



Anti-Slip



Lockdown



SABDRAIN 704 GRANDE

CODE	L	H	L1	H1	L2	Drain cm <sup>2</sup>	S1	S2	A	KG
DR704300200	300	200	390	270	376	756	160	200	500	18.8
DR704300300	300	300	390	370	376	756	160	200	500	19.2

# 705 Cast Iron Grate & Channel

SABdrain 705 provides the ultimate desirability for design and functionality of any drainage channel available to the civil construction markets . From its lightweight channel unit to the high strength cast iron grate complete with steel edges, giving it extra durability to this product enabling to satisfy the most demanding requirements placed upon it. This rated channel and grate has been designed for situations that require accessibility for heavy commercial & forklift vehicles as well as being able to cater for the needs of highway use. This has a classification of class E rating. Each grate is equipped with 8 point security fixing system to keep it rattle free from vehicular movements and secure it from unauthorised access.



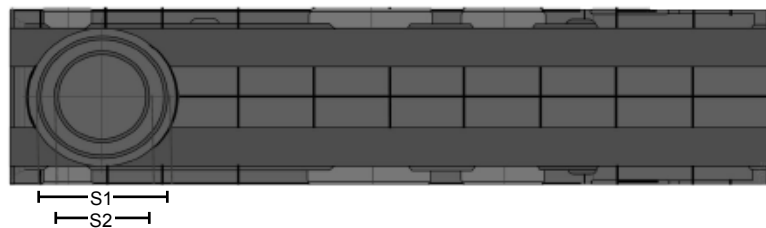
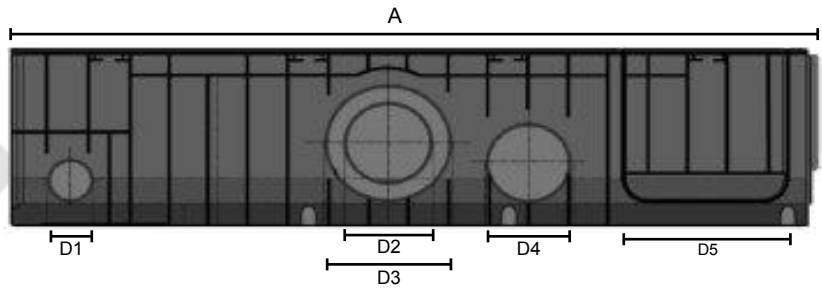
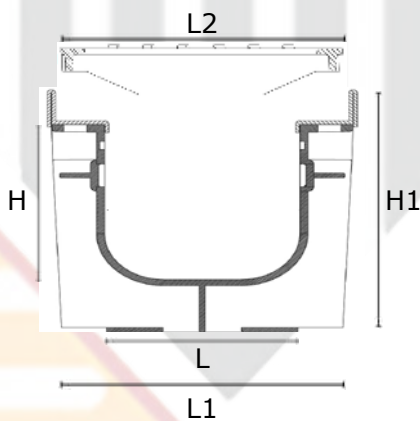
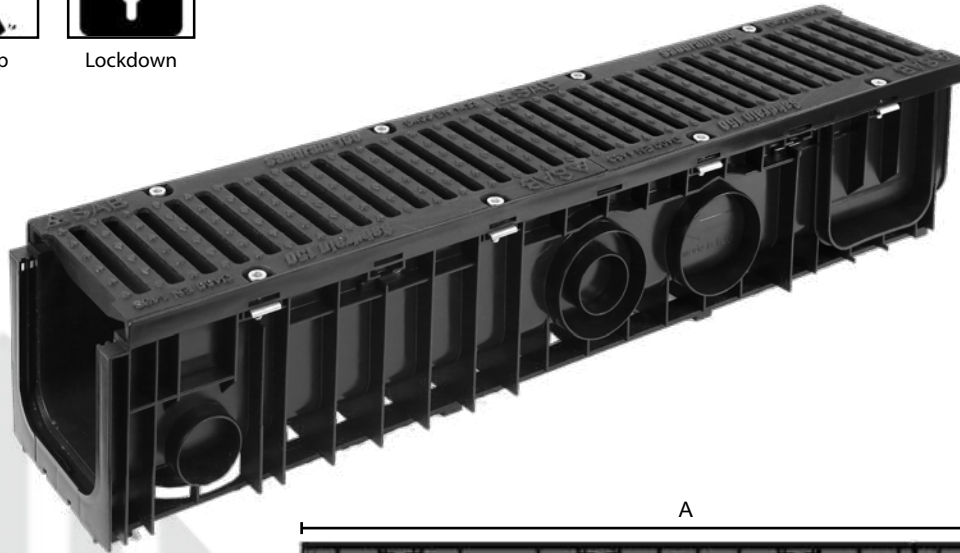
E400



Antislip



Lockdown



SABDRAIN 705															
CODE	L	H	L1	H1	L2	Drain cm <sup>2</sup>	D1	D2	D3	D4	D5	S1	S2	A	KG
DR705100100	100	100	150	150	146	248	63	90	63	63	100	110	63	1000	13.8
DR705100150	100	150	150	200	146	248	63	110	63	110	100	110	63	1000	14.3
DR705150100	150	100	200	150	146	248	63	90	63	63	150	110	63	1000	17.6
DR705150150	150	150	200	200	197	334	63	110	63	110	150	110	63	1000	18.3
DR705200100	200	100	250	150	247	494	63	90	63	63	200	160	110	1000	21.3
DR705200150	200	150	250	200	247	494	63	110	63	90	200	160	110	1000	21.8
DR705200200	200	200	250	250	247	494	63	160	110	90	200	160	110	1000	22.3
DR705200250	200	250	250	300	247	494	63	160	110	90	200	160	110	1000	22.8
DR705200300	200	300	250	350	247	494	63	160	110	90	200	160	110	1000	23.3

# 705 Grande Cast Iron Grate & Channel

SABdrain 705 grande heavy duty drainage channel & grates are the largest units available in a 300mm or 500mm width. The drain is equipped with steel support edging to guarantee higher performance for heavy loads and high traffic as well as industrial areas using forklift vehicles. Designed for situations that require accessibility for heavy commercial & forklift vehicles as well as being able to cater for the needs of highway use. This high strength cast iron grate is equipped with 4 point security fixings system to keep it rattle free from vehicular movements and secure from unauthorised access.



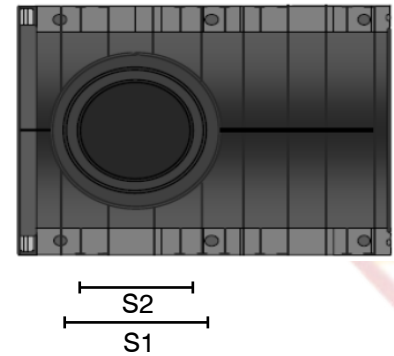
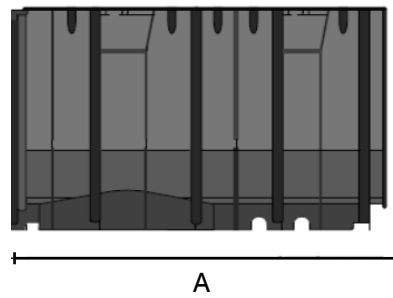
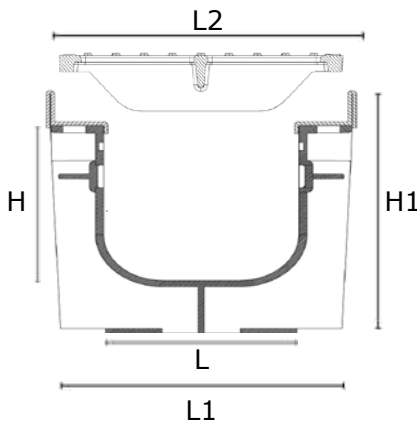
E400



Antislip



Lockdown

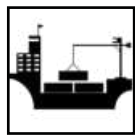


## SABDRAIN 705 GRANDE

CODE	L	H	L1	H1	L2	Drain cm <sup>2</sup>	S1	S2	A	KG
DR705300200	300	200	390	270	376	756	160	200	500	23.4
DR705300300	300	300	390	370	376	756	160	200	500	23.8
DR705500500	500	500	595	560	580	1070	160	200	500	45

# 706 Heavy Duty Cast Iron Grated Channel

SABdrain 706 is A heavy duty cast iron grated channel which comes with steel support edging to guarantee higher performance for heavy loads and high wheeled vehicles up to the class G rating. This includes aircraft traffic, loading docks, container terminals, military and all hard wheeled vehicles. This high strength cast iron grate is equipped with 8 point security fixings system to keep it rattle free from vehicular movements and secure from unauthorised access.



F600



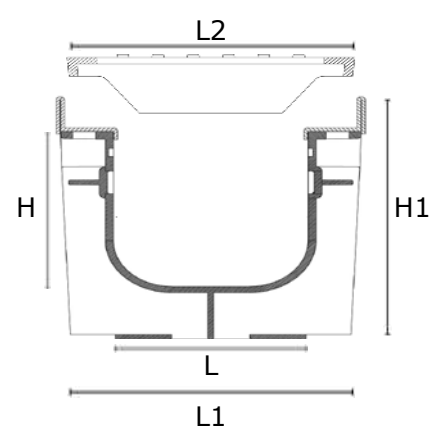
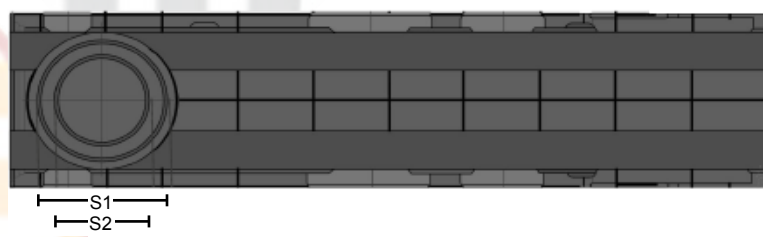
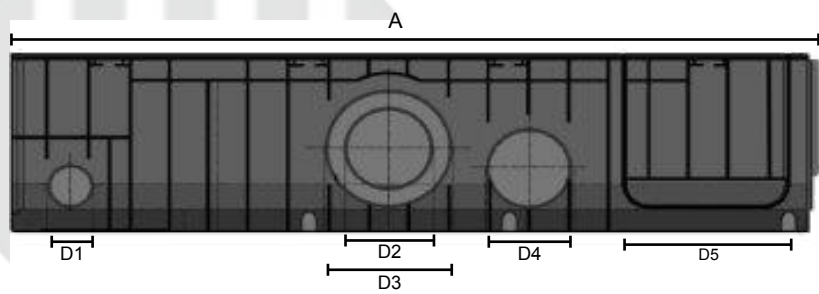
G900



Anti-Slip



Lockdown



SABDRAIN 706															
CODE	L	H	L1	H1	L2	Drain cm <sup>2</sup>	D1	D2	D3	D4	D5	S1	S2	A	KG
DR706100100	100	100	150	150	147	220	63	90	63	63	100	110	63	1000	16.2
DR706100150	100	150	150	200	147	220	63	110	63	110	100	110	63	1000	16.7
DR706150100	150	100	200	150	197	348	63	90	63	63	150	110	63	1000	22.6
DR706150150	150	150	200	200	197	348	63	110	63	110	150	110	63	1000	23.3
DR706200100	200	100	250	150	247	476	63	90	63	63	200	160	110	1000	33.1
DR706200150	200	150	250	200	247	476	63	110	63	90	200	160	110	1000	33.6
DR706200200	200	200	250	250	247	476	63	160	110	90	200	160	110	1000	34.1
DR706200250	200	250	250	300	247	476	63	160	110	90	200	160	110	1000	34.6
DR706200300	200	300	250	350	247	476	63	160	110	90	200	160	110	1000	35.1

# 706 Grande Heavy Duty Cast Iron Grated Channel

SABdrain 706 Grande is the largest channel, available in a 300mm or 500mm widths. This comes with steel support edging to guarantee higher performance for heavy loads and high wheeled vehicles up to the class G rating. This includes aircraft traffic, loading docks, container terminals, military and all hard wheeled vehicles. This high strength cast iron grate is equipped with 4 point security fixings system to keep it rattle free from vehicular movements and secure from unauthorised access.



F600



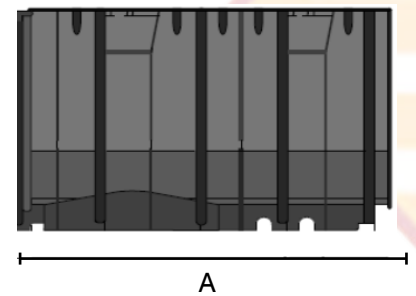
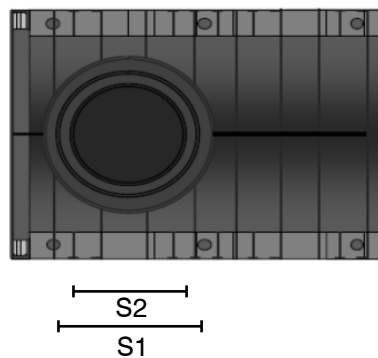
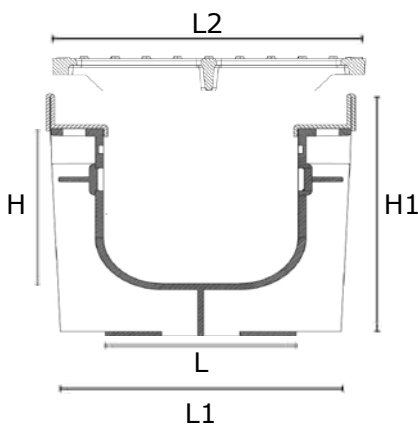
G900



Anti-Slip



Lockdown



SABDRAIN 706 300

CODE	L	H	L1	H1	L2	Drain cm <sup>2</sup>	S1	S2	A	KG
DR706300200	300	200	390	270	376	618	160	200	500	32.2
DR706300300	300	300	390	370	376	618	160	200	500	32.6
DR706500500	500	500	595	560	580	1070	160	200	500	56.7

# 707 Cast Iron Heel Guard Grated Channel

SABdrain 707 provides the ultimate desirability for design and functionality of any drainage channel available to the civil construction market. From its lightweight channel unit to the high strength heel guard cast iron grate, the flexibility and durability of this product is able to offer the most demanding requirements placed upon it. This rated channel and grate has been designed to withstand fast heavy moving vehicles used in commercial areas along with motorways/highways meeting the Class D requirements. Each grate is equipped with 4 point security fixings system to keep this rattle free from vehicular movements and secured from unauthorised access.



C150



D210



Heel Guard



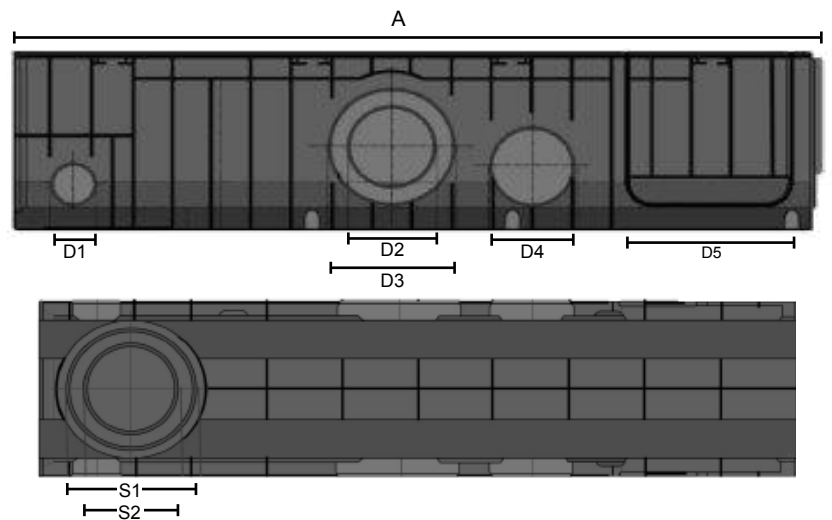
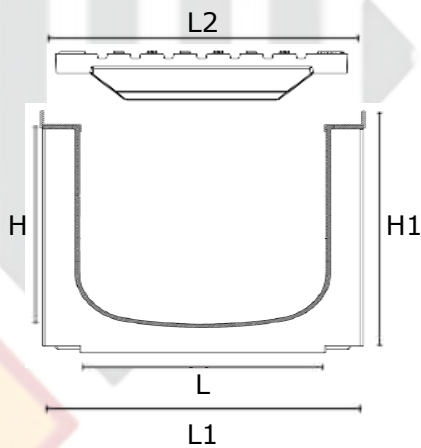
Anti-Slip



Lockdown



Disability Compliant



SABDRAIN 707															
CODE	L	H	L1	H1	L2	Drain cm <sup>2</sup>	D1	D2	D3	D4	D5	S1	S2	A	KG
DR707100100	100	100	150	150	147	81	63	90	63	63	100	110	63	1000	16.8
DR707100150	100	150	150	200	147	81	63	110	63	110	100	110	63	1000	17.3
DR707150100	150	100	200	150	197	137	63	90	63	63	150	110	63	1000	21.8
DR707150150	150	150	200	200	197	137	63	110	63	110	150	110	63	1000	22.5
DR707200100	200	100	250	150	247	191	63	90	63	63	200	160	110	1000	27.1
DR707200150	200	150	250	200	247	191	63	110	63	90	200	160	110	1000	27.6
DR707200200	200	200	250	250	247	191	63	160	110	90	200	160	110	1000	28.1
DR707200250	200	250	250	300	247	191	63	160	110	90	200	160	110	1000	28.6
DR707200300	200	300	250	350	247	191	63	160	110	90	200	160	110	1000	29.1



# 707 Grande Cast Iron Heel Guard Grated Channel

SABdrain 707 grande provides the ultimate desirability for design and functionality of any drainage channel available to the civil construction market. From its lightweight channel unit to the high strength heel guard cast iron grate, the flexibility and durability of this product is able to offer the most demanding requirements placed upon it. This rated channel and grate has been design to withstand fast heavy moving vehicles used in commercial areas along with motorways/highways meeting the Class D requirements. Each grate is equipped with 4 point security fixings system to keep this rattle free from vehicular movements and secured from unauthorised access.



C150



D210



Heel Guard



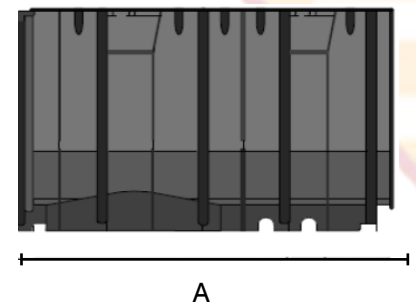
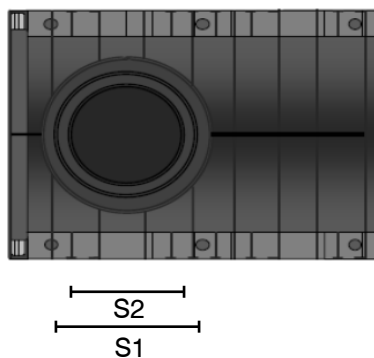
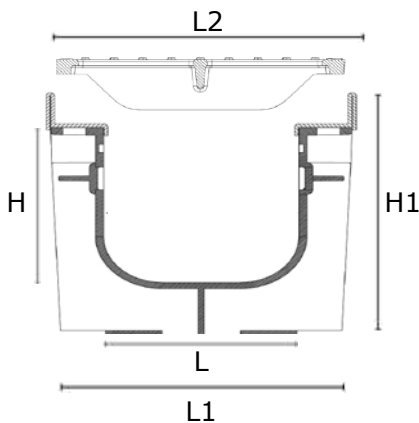
Anti-Slip



Lockdown



Disability Compliant



SABDRAIN 707 GRANDE										
CODE	L	H	L1	H1	L2	Drain cm <sup>2</sup>	S1	S2	A	KG
DR707300200	300	200	390	270	376	273	160	200	500	20.5
DR707300300	300	300	390	370	376	273	160	200	500	20.5

# SAB901/902

Also available in 316 against order

## Stainless Steel Wedgewire Drainage Channel

SAB900 Elite Range has been developed for the high end architectural market incorporating a 304 Stainless Steel Wedge Wire heel guard type grate design that is both stylish and appealing while still being able to meet the requirements of the industry. The 901 wedgewire grate features a lockdown mechanism & is heel guard, ensuring no heeled shoes, pet paws, bike/skateboard wheels are caught. The lockdown secures the grate from rattling & unauthorised access.



Residential



A10



Heel Guard



Lockdown



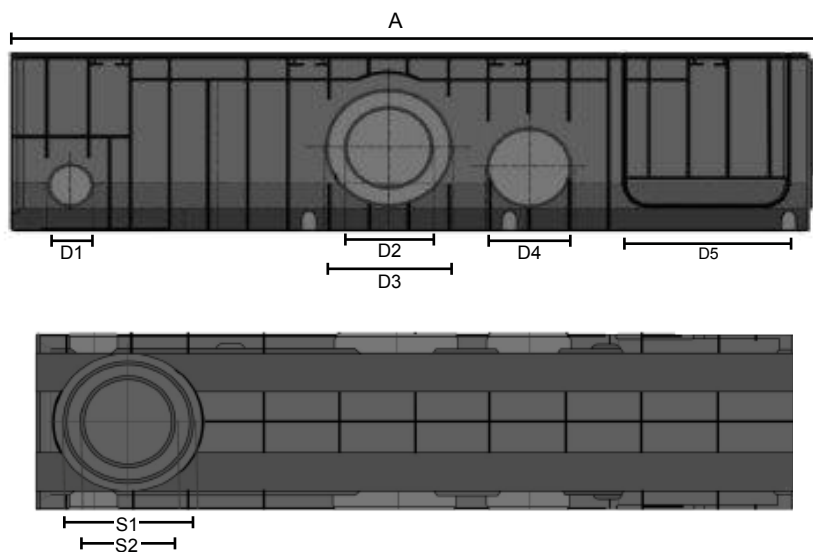
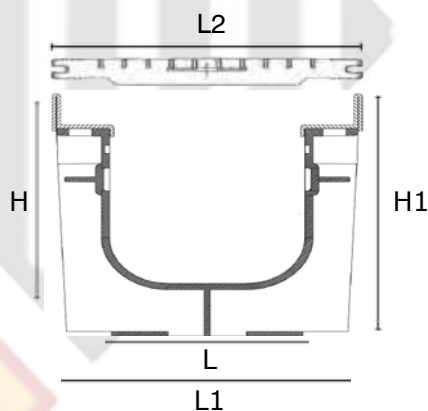
Antislip (902)



Disability Compliant



902 ANTISLIP



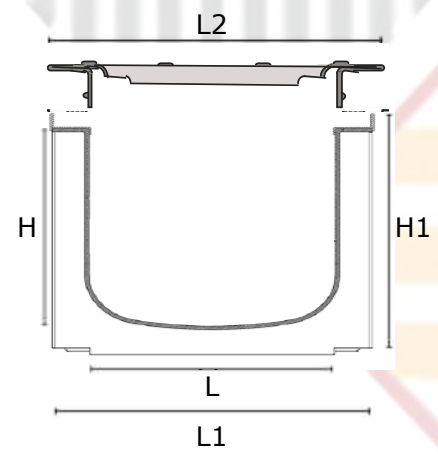
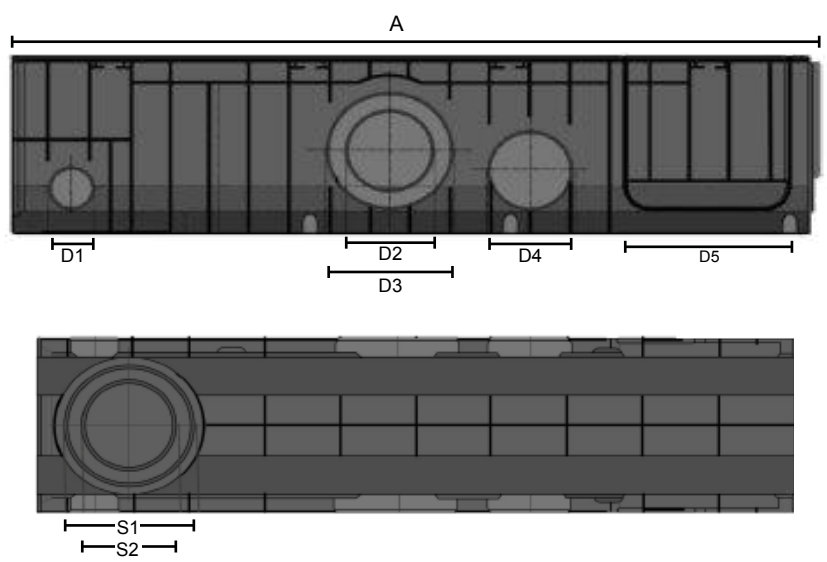
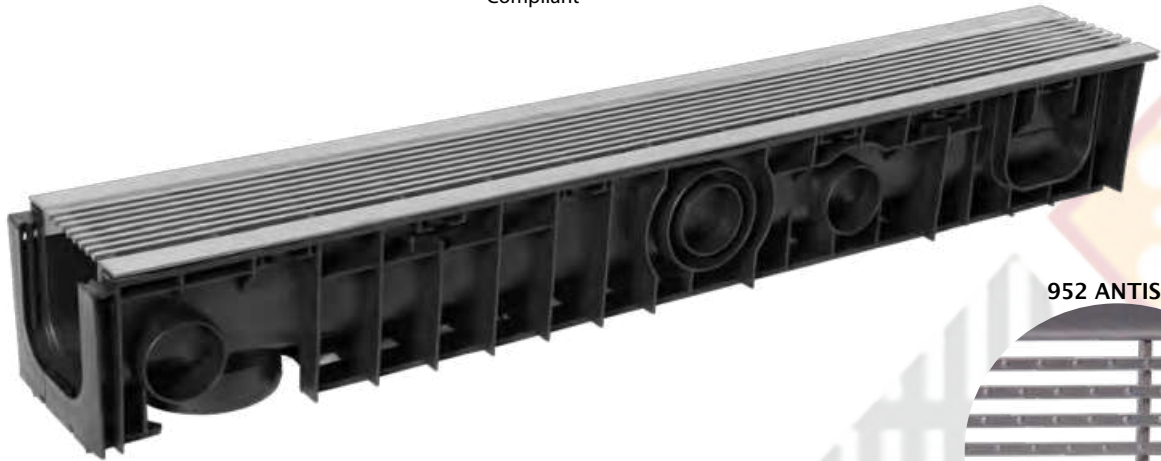
SABDRAIN 901/902															
CODE	L	H	L1	H1	L2	Drain cm <sup>2</sup>	D1	D2	D3	D4	D5	S1	S2	A	KG
DR901100100 DR902100100	100	100	150	150	145	837	63	90	63	90	100	110	63	1000	7.5
DR901100150 DR902100150	100	150	150	200	145	837	63	90	63	90	100	110	63	1000	7.9
DR901150150 DR902150150	150	150	200	200	195	1139	63	110	63	110	150	110	63	1000	9.8
DR901200100 DR902200100	200	100	250	150	245	1674	63	90	110	110	200	160	110	1000	10.6
DR901200150 DR902200150	200	150	250	200	245	1674	63	110	63	110	200	160	110	1000	11.1
DR901200200 DR902200200	200	200	250	250	245	1674	63	160	110	110	200	160	110	1000	11.6
DR901200250 DR902200250	200	250	250	300	245	1674	63	160	110	110	200	160	110	1000	12.1
DR901200300 DR902200300	200	300	250	350	245	1674	63	160	110	110	200	160	110	1000	12.6

Classes B-G available against order. 300mm wide grates available against order.

# SAB951/952

## Stainless Steel Marine Grade Wedgewire Drainage Channel

Manufactured from Class A stainless steel this cutting-edge grate gives you the architectural desired look to finish off your project. Sleek lines and slimline design gives it the versatility to be used in a variety of locations swimming pool surrounds, shopping centres, pedestrian walkways and more. With its flat edgeless design this grate will give your tiles the high end finish whilst maximising the surface water drainage easily. The 952 stainless steel wedgewire is anti-slip.



SABDRAIN 951/952															
CODE	L	H	L1	H1	L2	Drain cm <sup>2</sup>	D1	D2	D3	D4	D5	S1	S2	A	KG
DR95110050 DR95210050	100	50	150	80	150	280	43	-	-	40	100	110	63	1000	4.75
DR951100100 DR952100100	100	100	150	150	150	280	63	90	63	90	100	110	63	1000	5.4
DR951100150 DR952100150	100	150	150	190	150	280	63	90	63	90	100	110	63	1000	6.00
DR951150150 DR952150150	150	150	200	200	200	420	63	110	63	110	150	110	63	1000	7.00

# Channel Accessories

## End Caps

The end cap blocks the end of your drainage run, sliding in easily through pre-cut slots in the channel\*

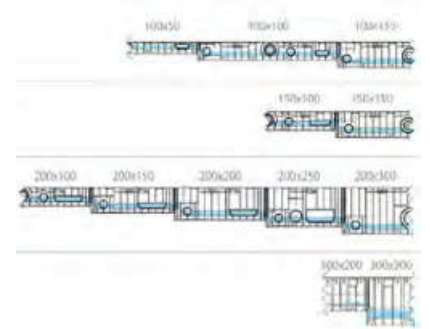
\* any channel larger than 300mm x 200mm requires the end cap to be silicone onto the end of the channel.



END CAPS		
CODE	L	H
DREC10050	100	50
DREC100100	100	100
DREC150150	150	150
DREC200150	200	150
DREC200200	200	200
DREC200300	200	300
DREC300200	300	200
DREC300300	300	300
DREC508100	100	100

## Stepped Fall Cap

SABdrain channels (of equal width) can be linked together even if they are of different heights. In this way you can obtain a progressive increase of the flow rate in the section of channel. To connect a channel having a different height to another, a stepped fall cap is required.



STEPPED FALL CAP		
CODE	WIDTH	DEPTH
DRSTEP200	200mm	50mm

## Sprigot Offtakes

Sprigot Offtakes are used to be screwed onto the end cap as an outlet for stormwater pipes.



SPRIGOT OFFTAKE	
Code	L (internal)
DRSO90	90mm
DRSO100	100mm
DRSO150	150mm

## End Cap Offtake Combo

SABdrain end cap with offtake is designed to slide into a channel which is using a pipe to take away water.



END OUTLETS		
CODE	CHANNEL	OUTLET
DREC90COMBO	100mm	90mm
DREC150COMBO	150mm	100mm

## Install Clips

Designed to support and hold channels together at the correct height for the fall of the job, before pouring concrete. One clip to fit all channel sizes.

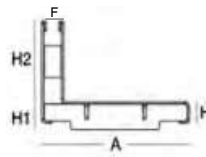
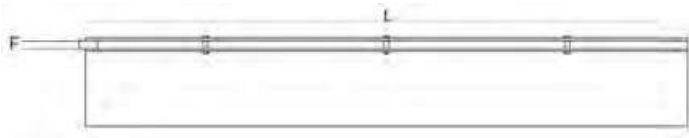
INSTALL CLIP	
CODE	SIZE
DRINSTALL	UNIVERSAL



# Slot Drain

The SABdrain slot drain is a galvanised slot grate used as a discreet drainage solution, providing an aesthetic finish to the installation area. Class D galvanised grate with a drainage capacity of 56 cm<sup>2</sup> per linear meter.

more information available upon request

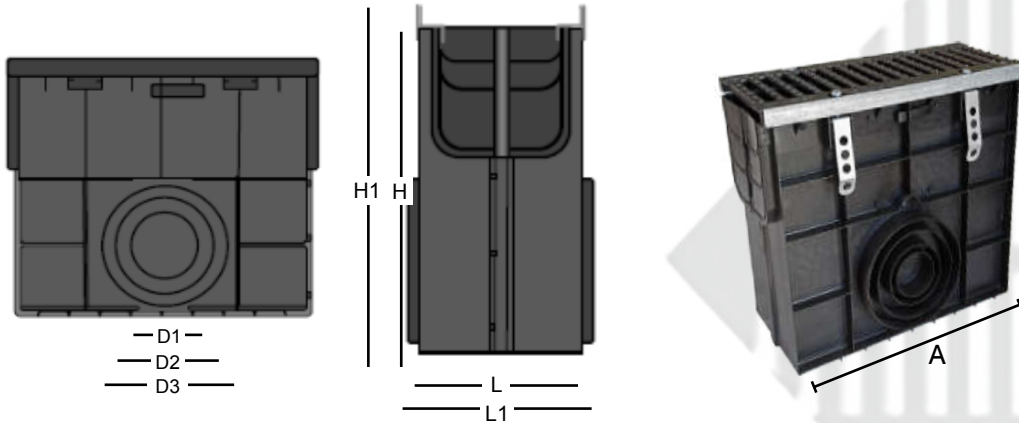


SLOT DRAIN							
CODE	Drain cm <sup>2</sup>	A	H	H1	H2	L	F
DR570GRID100	130	145	20	25	100	1000	13
DR570GRID150	130	195	20	30	100	1000	13



# Drainbox

The SABdrain drainbox has been developed to be used in conjunction with the SABdrain 704 range. By providing an inline pit along with the drainage system, it has the advantage of increasing the head of water for outlet capacity while still providing aesthetics of linear design.

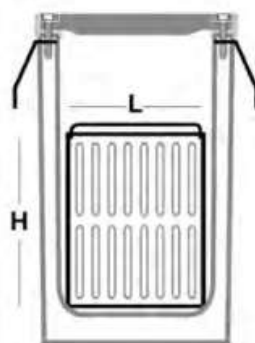


DRAINBOX									
CODE	L	H	L1	H1	D1	D2	D3	A	KG
DRAINBX150	150	400	200	430	100	160	200	500	10.4
DRAINBX200	200	400	250	430	100	160	200	500	12.5

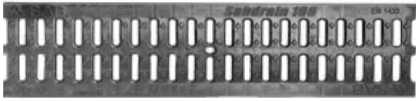
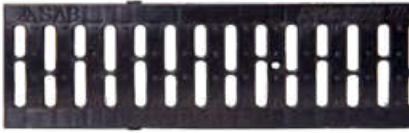
# Debris Collection Basket

The debris collection basket is an accessory that is fitted in the drainbox & serves as a collector and retainer of large debris such as leaves & stones. The basket lets the water flow and stopping the rest, preventing impurities from clogging pipes. The basket can be inspected and cleaned simply by removing the grate and take it out.

DEBRIS BASKET		
CODE	L	H
DRBASK100	85	200
DRBASK150	135	200
DRBASK200	185	200



# Grates



951



952



901



902

## POLYPROPYLENE GRATES

DR351GRATE100	145mm x 500mm	Polypropylene
DR355BGRATE100	146mm x 500mm	Polypropylene
DR356GRATE100	145mm x 500mm	Polypropylene

## GALVANISED PRESSED METAL GRATE

DR501GRATE100	145mm x 1000mm	Galvanised Pressed Steel
DR501GRATE150	195mm x 1000mm	Galvanised Pressed Steel

## GALVANISED STEEL GRATES

DR601GRATE100	145mm x 1000mm	Galvanised Steel
DR601GRATE150	195mm x 1000mm	Galvanised Steel
DR601GRATE200	245mm x 1000mm	Galvanised Steel
DR603GRATE300	376mm x 1000mm	Galvanised Steel

## CAST IRON GRATES

DR704GRATE100 DR705GRATE100 DR706GRATE100	147mm x 500mm	Cast Iron
DR704GRATE150 DR705GRATE150 DR706GRATE150	197mm x 500mm	Cast Iron
DR704GRATE200 DR705GRATE200 DR706GRATE200	247mm x 500mm	Cast Iron
DR704GRATE300 DR705GRATE300 DR706GRATE300	376mm x 500mm	Cast Iron
DR705GRATE500 DR706GRATE500	580mm x 500mm	Cast Iron

## CAST IRON HEEL GUARD GRATE

DR707GRATE100	145mm x 500mm	Cast Iron
DR707GRATE150	195mm x 500mm	Cast Iron
DR707GRATE200	245mm x 500mm	Cast Iron
DR707GRATE300	376mm x 500mm	Cast Iron

## STAINLESS STEEL GRATES









DR951GRATE100	145mm x 1000mm	Stainless Steel
DR951GRATE150	200mm x 1000mm	Stainless Steel
DR901GRATE100	145mm x 1000mm	Stainless Steel
DR901GRATE150	195mm x 1000mm	Stainless Steel

## ANTISLIP STAINLESS STEEL GRATES

DR952GRATE100	145mm x 1000mm	Stainless Steel
DR952GRATE150	200mm x 1000mm	Stainless Steel
DR902GRATE100	145mm x 1000mm	Stainless Steel
DR902GRATE150	195mm x 1000mm	Stainless Steel

# Load Classification

European Standard EN1433:2008 / Australian Standard AS3996:2006

CLASS RATING		NOMINAL WHEEL LOADING (KG)	SERVICEABILITY DESIGN LOAD (KN)		ULTIMATE DESIGN LOAD (KN)		TYPICAL USES
	<u>RESIDENTIAL</u>	N/A	AS3966	EN1443	AS3966	EN1433	A non-rated drainage channel designed for use in residential applications such as footpaths and driveways.  Will withstand 1.5 Tonne wheel loading
	Will withstand 1.5 Tonne Wheel		N/A	N/A	N/A	N/A	
	<u>CLASS A</u> • Pedestrians • Cyclists	330kg	6.7	10	10	15	Precincts (including footpaths) accessible only to pedestrians & cyclists, closed to any other traffic.
	<u>CLASS B</u> • Passenger vehicle • Light Commercial Vehicles	2670kg	53	83	80	125	Areas (including driveways & footpaths) accessible to passenger & light commercial vehicles.
	<u>CLASS C</u> • Slow Moving Vehicles • Heavy Commercial Vehicles	5000kg	100	167	150	250	Shopping centres, driveways, parking zones and areas open to slow moving and heavy commercial vehicles.
	<u>CLASS D</u> • Highways • Fast Moving Heavy Vehicles	8000kg	140	267	240	400	Highways & roads, warehouse and parking areas subject to fast moving heavy commercial vehicles.
	<u>CLASS E</u> • Heavy Wheeled Vehicles • Mining & industrial Areas	13700kg	267	400	400	600	Commercial heavy wheeled traffic, hardwheeled forklifts, construction equipment, military and mining vehicles
	<u>CLASS F</u> • High Wheeled Vehicles • Container Terminals, Docks etc	20000kg	400	600	600	900	High speed vehicles, shipping docks and aircraft traffic subject to high wheel loads.
	<u>CLASS G</u> • Heavy Loading Areas • Aircraft Pavements, Runways etc	30000kg	600	600	900	900	Docks and aircraft pavements subject to very high wheel loads, extra heavy duty.



## Wheelchair and walking cane compliance

AS 1428.2 Clause 9 Ground and floor surfaces, specifies grate requirements.

'If gratings are located in a walking surface, they shall have spaces no more than 13mm wide and no more than 150mm long. If gratings have elongated openings, they shall be placed so that the long dimension is transverse to the dominant direction of travel'

